



US00D775514S

(12) **United States Design Patent** (10) **Patent No.:** **US D775,514 S**
Muhlenkamp, IV et al. (45) **Date of Patent:** **** Jan. 3, 2017**

(54) **STRAP CONNECTOR**
(71) Applicant: **GoPro, Inc.**, San Mateo, CA (US)
(72) Inventors: **John George Muhlenkamp, IV**,
Brisbane, CA (US); **Matthew D. Thomas**,
Castro Valley, CA (US); **Eric McCallister Bennett**,
Foster City, CA (US)
(73) Assignee: **GoPro, Inc.**, San Mateo, CA (US)
(**) Term: **15 Years**
(21) Appl. No.: **29/550,139**
(22) Filed: **Dec. 30, 2015**
(51) **LOC (10) Cl.** **08-05**
(52) **U.S. Cl.**
USPC **D8/356; D16/242**
(58) **Field of Classification Search**
USPC **D8/356, 354, 349; D16/242**
CPC **E02D 5/803; B63B 21/045; B63B 59/02;**
B60D 1/18; B60P 7/0823; A44B 13/0029
See application file for complete search history.

(56) **References Cited**
U.S. PATENT DOCUMENTS
D355,583 S * 2/1995 Beauchane D8/356
D361,665 S * 8/1995 Izumi D3/318
D512,307 S * 12/2005 Ahrens D9/434
D592,939 S * 5/2009 Kelleghan D8/356
D625,654 S * 10/2010 Spater D11/210
D675,242 S * 1/2013 O'Donnell D16/242
D697,127 S * 1/2014 O'Donnell D16/242
D712,394 S * 9/2014 Booth D14/253
D718,611 S * 12/2014 Kung D8/356
D731,293 S * 6/2015 Fretz D8/356
D756,199 S * 5/2016 Carrubba D8/354

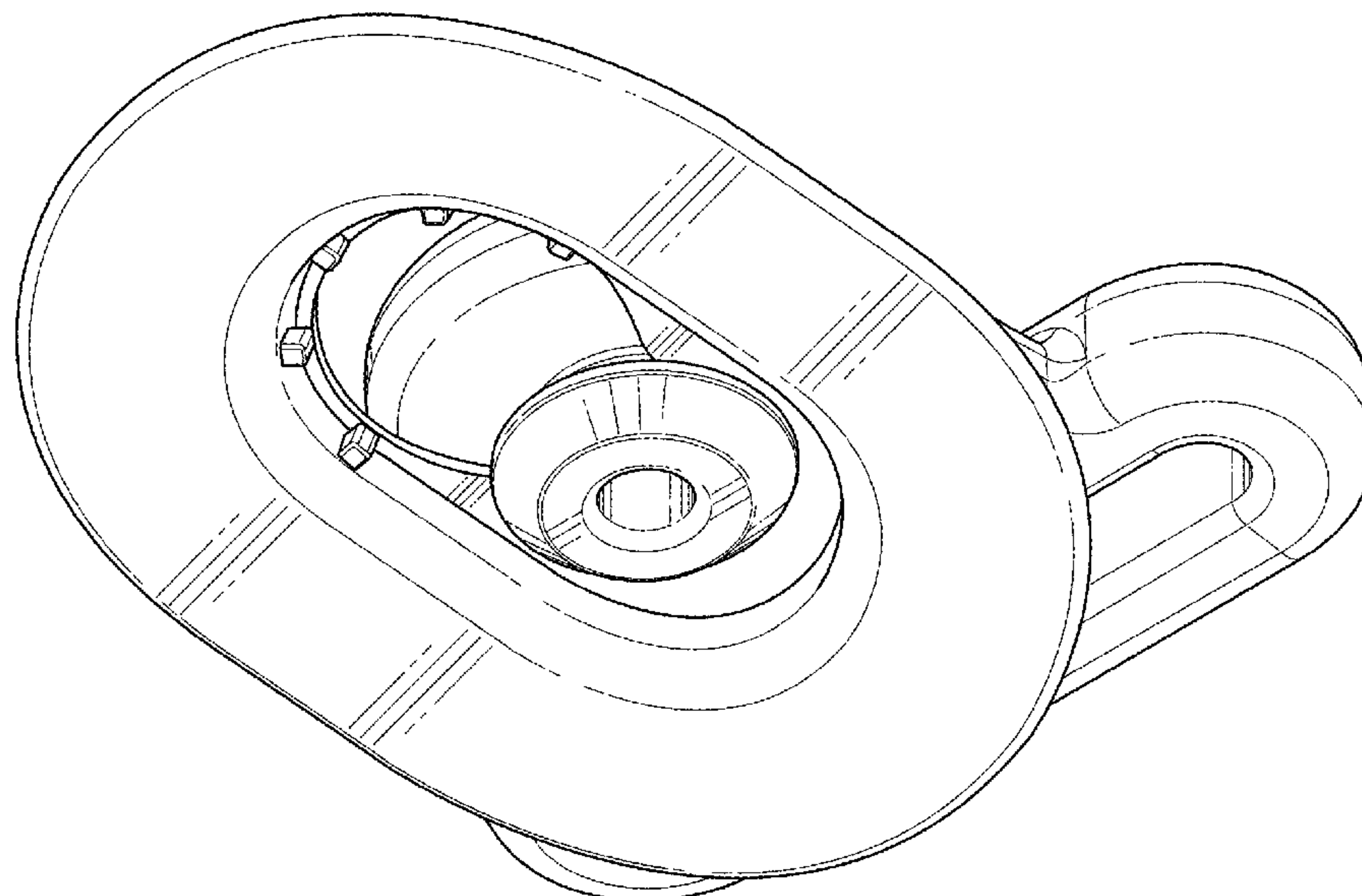
* cited by examiner

Primary Examiner — Cynthia Underwood
(74) *Attorney, Agent, or Firm* — Fenwick & West LLP

(57) **CLAIM**
The ornamental design for a strap connector, as shown and described.

DESCRIPTION
FIG. 1 is a front, top, and right side perspective view of a male component of a strap connector;
FIG. 2 is a rear, bottom, and left side perspective view thereof;
FIG. 3 is a front elevational view thereof;
FIG. 4 is a rear elevational view thereof;
FIG. 5 is a left side elevational view thereof;
FIG. 6 is a right side elevational view thereof;
FIG. 7 is a top plan view thereof;
FIG. 8 is a bottom plan view thereof;
FIG. 9 is a rear, top, and left side perspective view of a female component of a strap connector;
FIG. 10 is a front elevational view thereof;
FIG. 11 is a rear elevational view thereof;
FIG. 12 is a left side elevational view thereof;
FIG. 13 is a right side elevational view thereof;
FIG. 14 is a top plan view thereof;
FIG. 15 is a bottom plan view thereof;
FIG. 16 is a front, top, and right side perspective view of a strap connector with the male component in a first rotational position relative to the female component;
FIG. 17 is a rear, bottom, and left side perspective view of the strap connector;
FIG. 18 is a top plan view thereof; and,
FIG. 19 is a top plan view of the strap connector with the male component in a second rotational position relative to the female component.

1 Claim, 19 Drawing Sheets



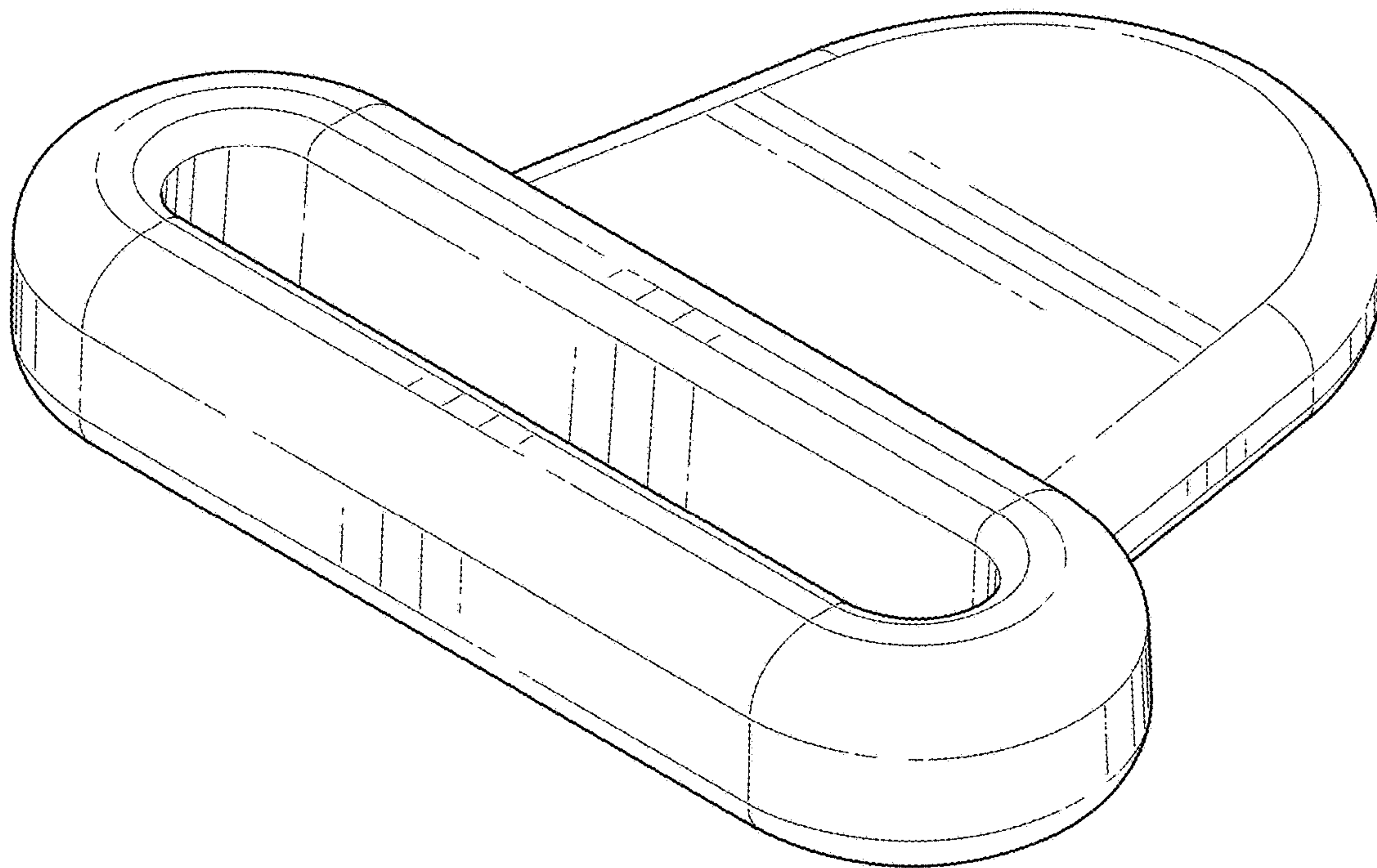


FIG. 1

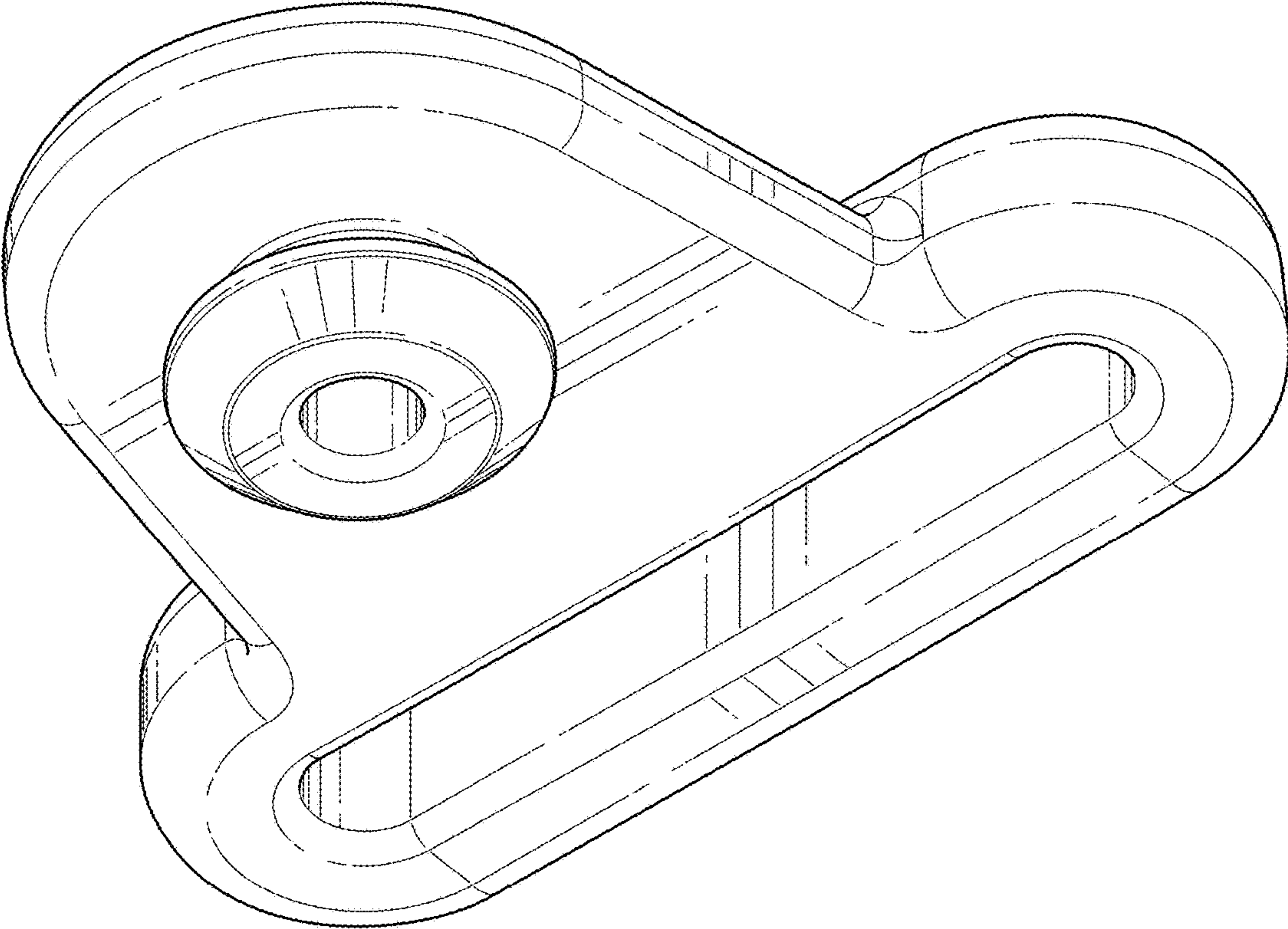


FIG. 2

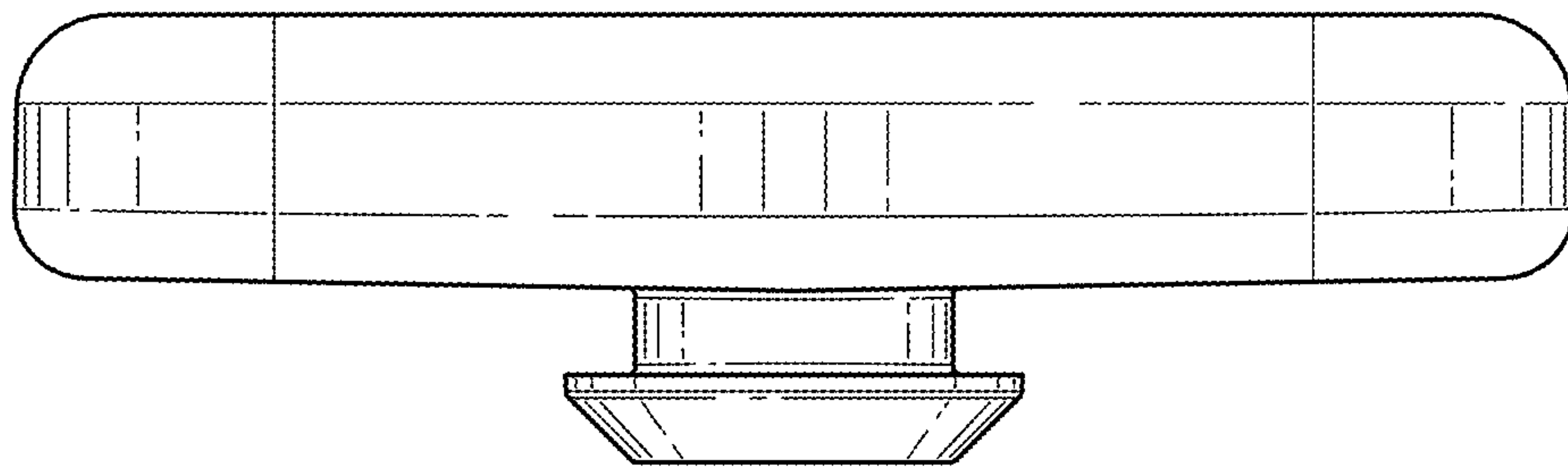


FIG. 3

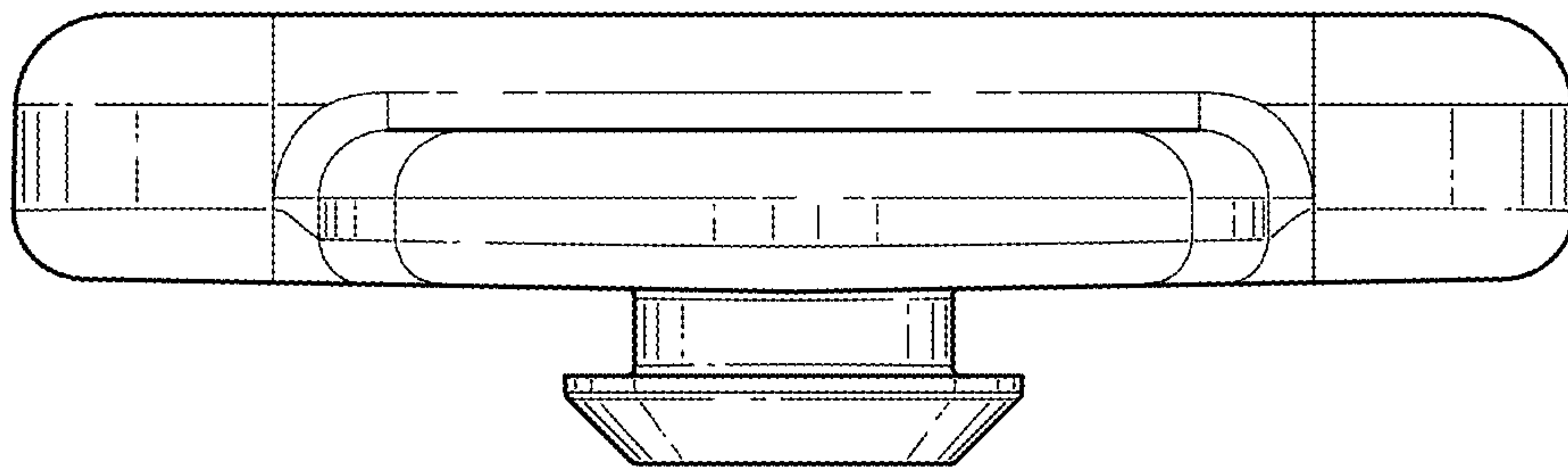


FIG. 4

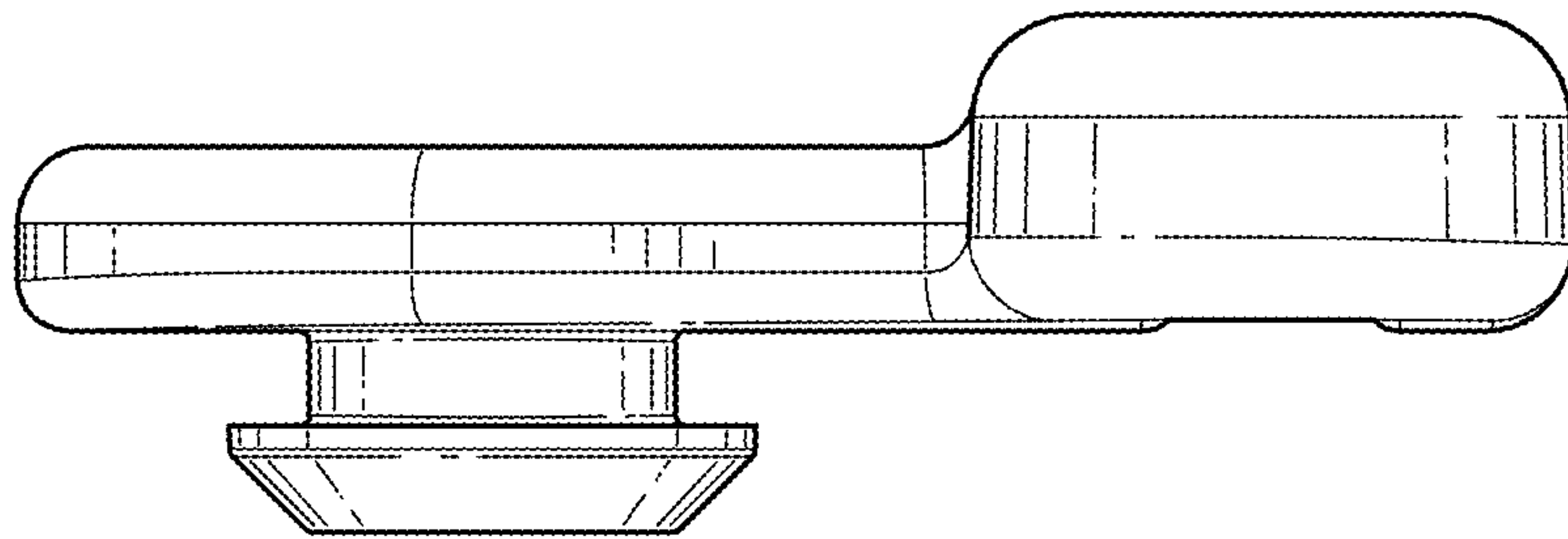


FIG. 5

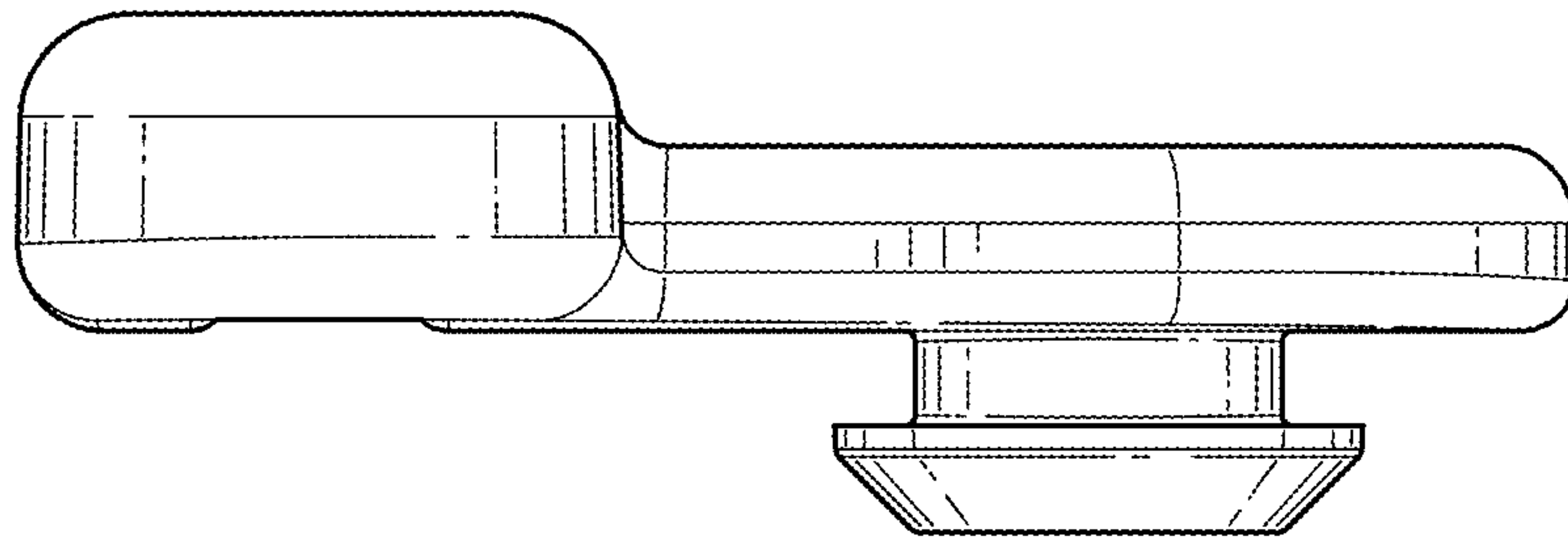


FIG. 6

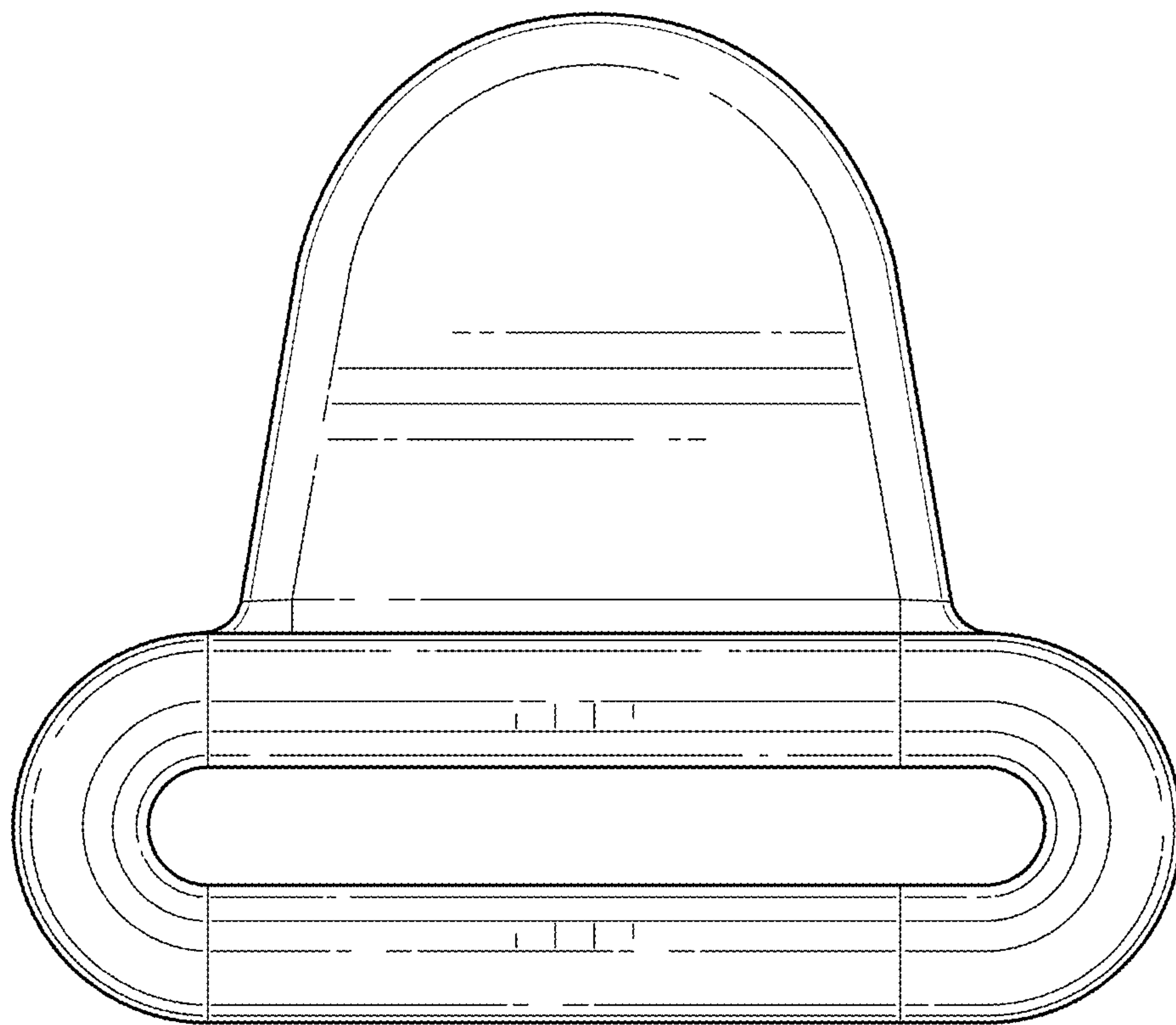


FIG. 7

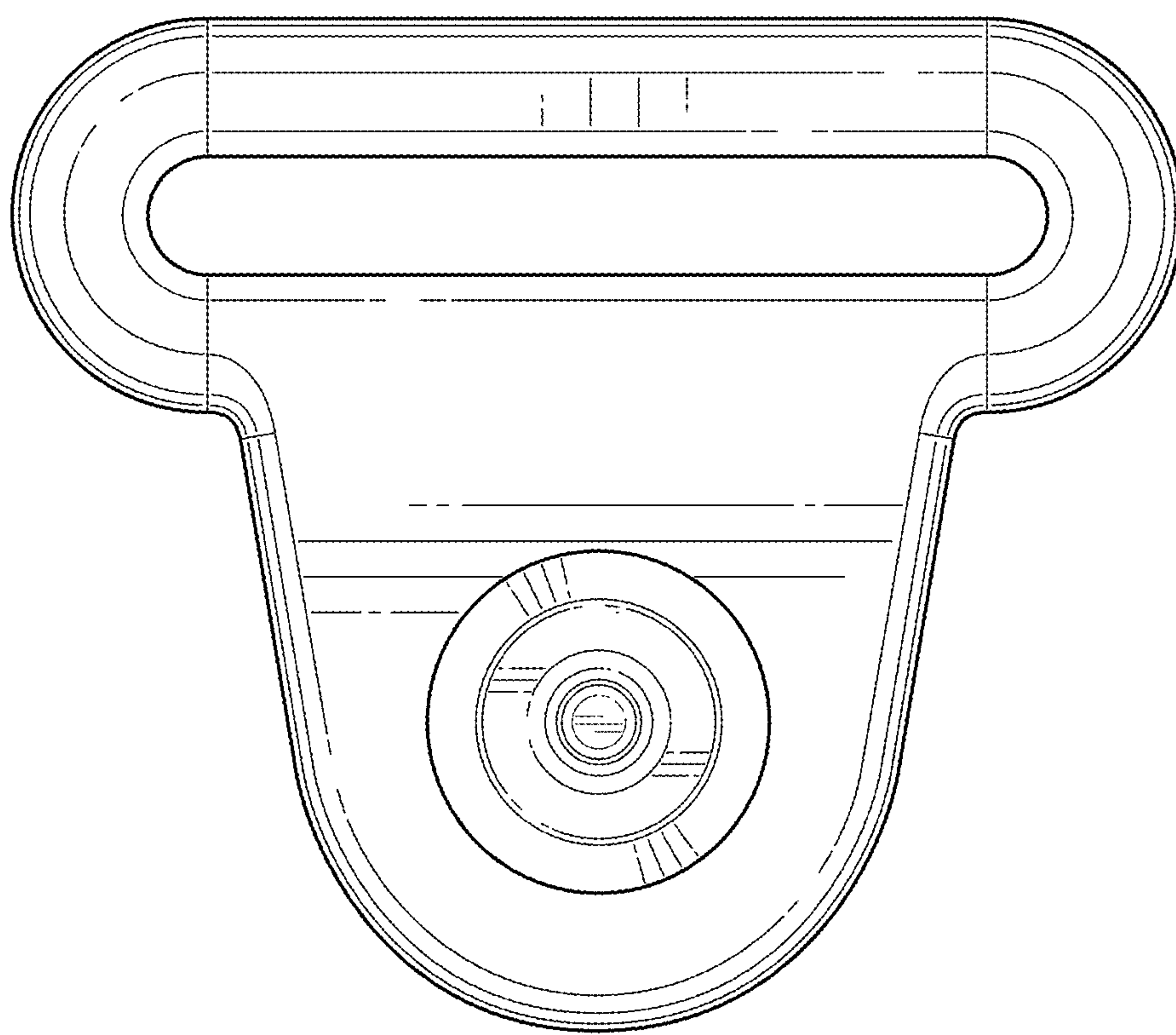


FIG. 8

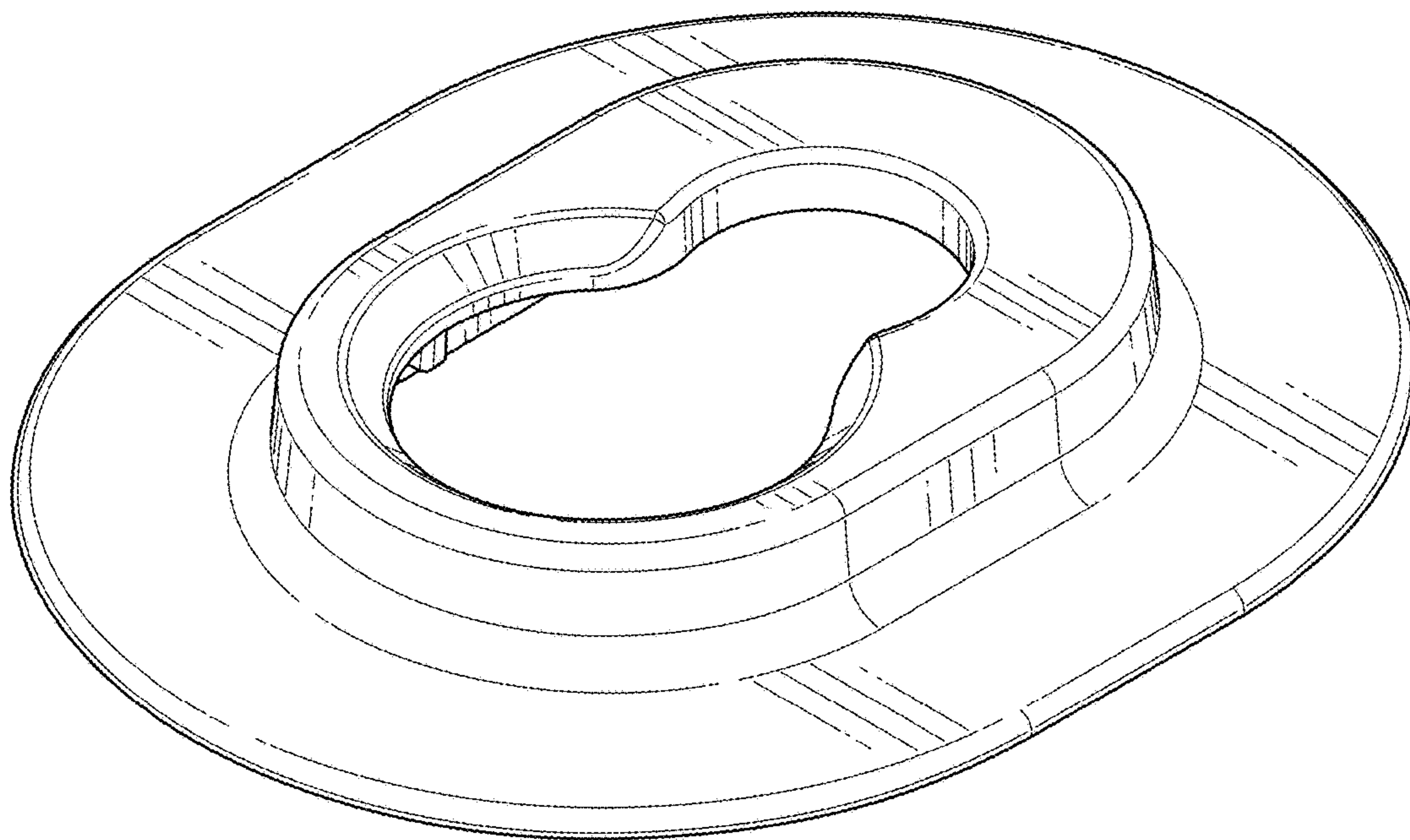


FIG. 9

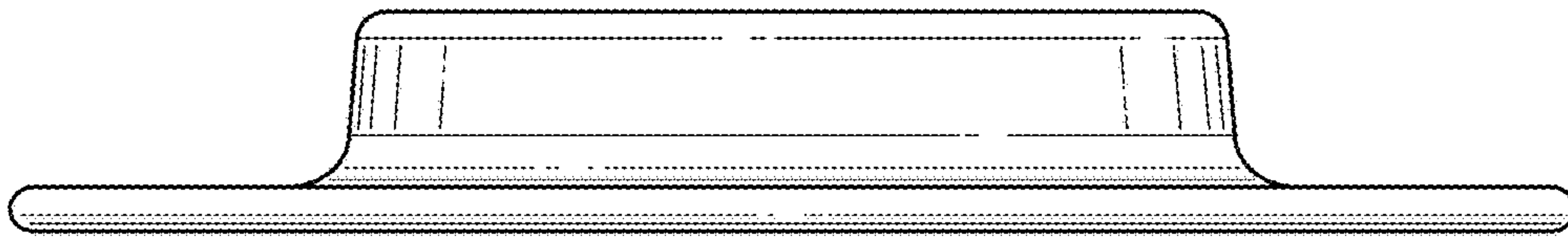


FIG. 10

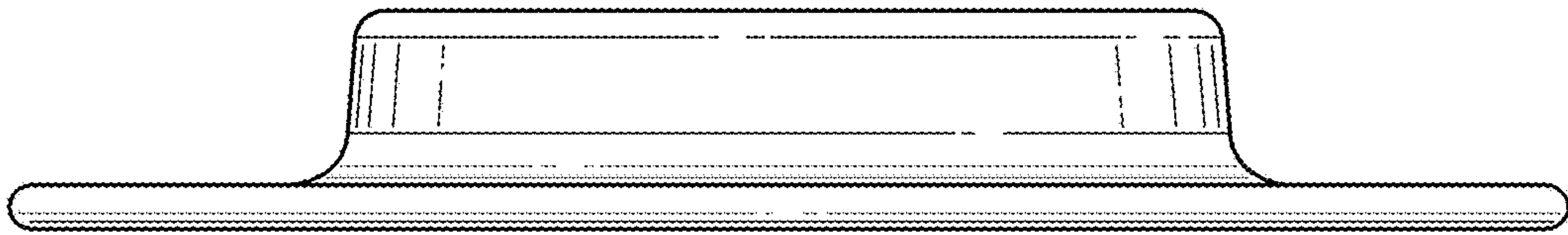


FIG. 11

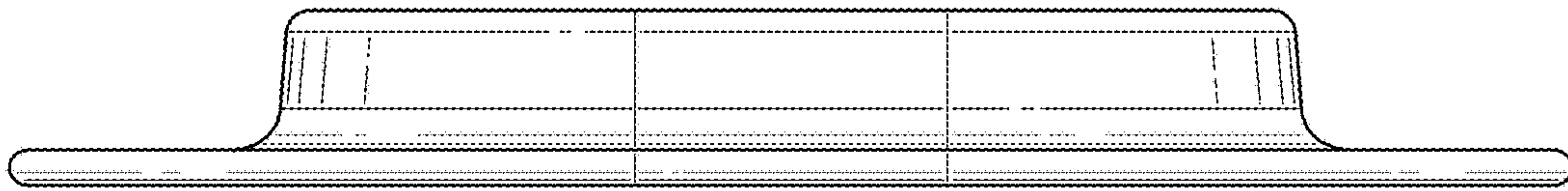


FIG. 12

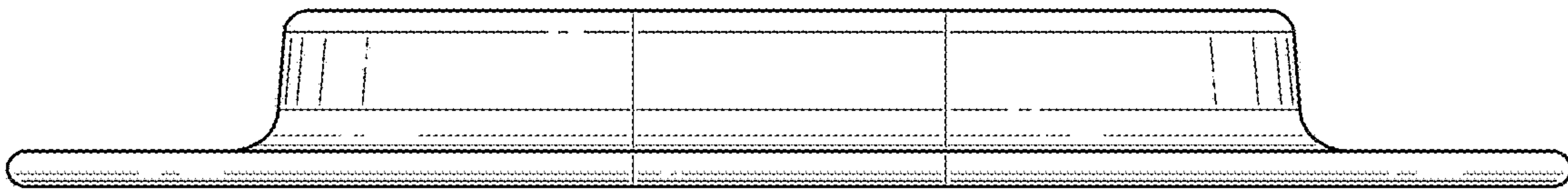


FIG. 13

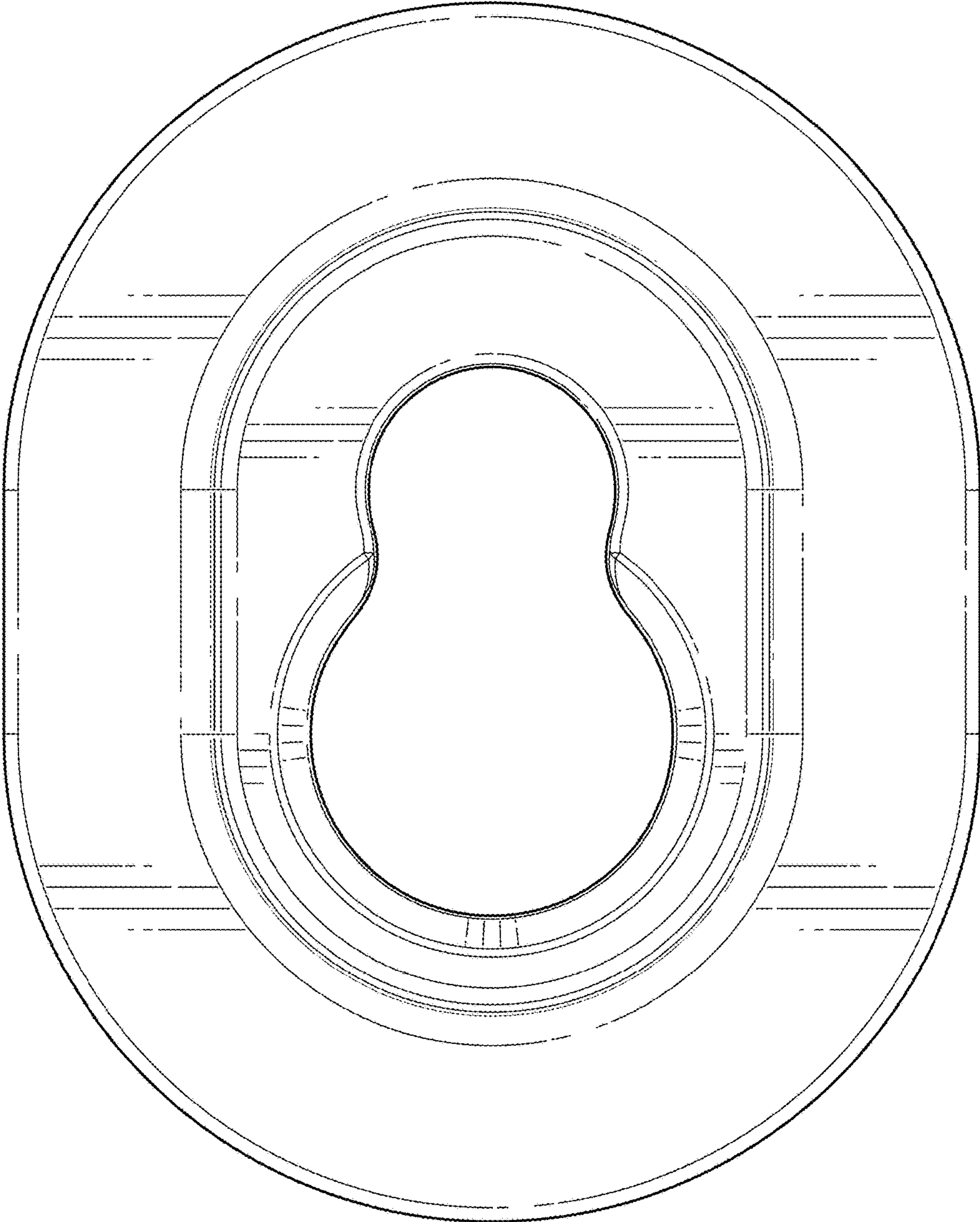


FIG. 14

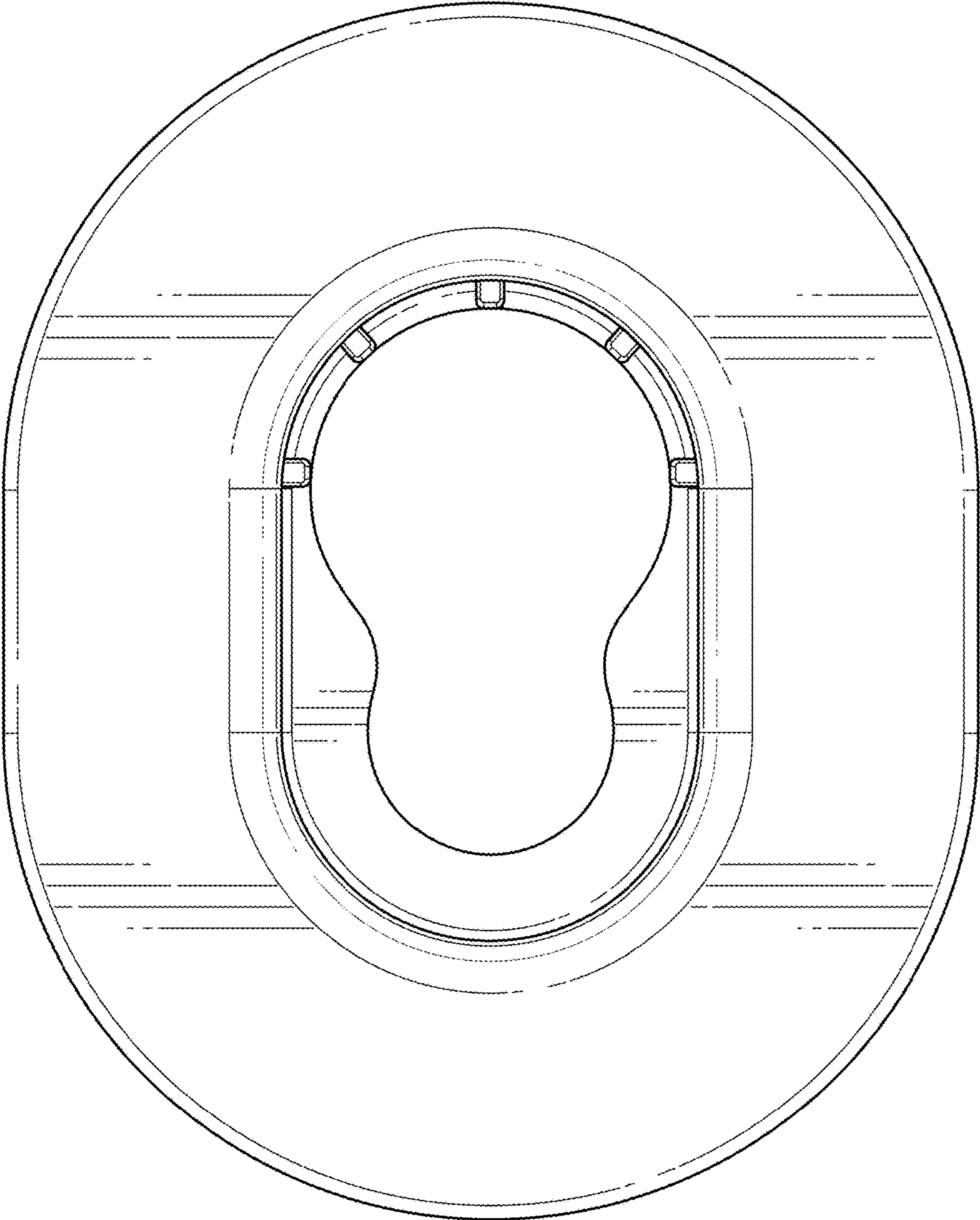


FIG. 15

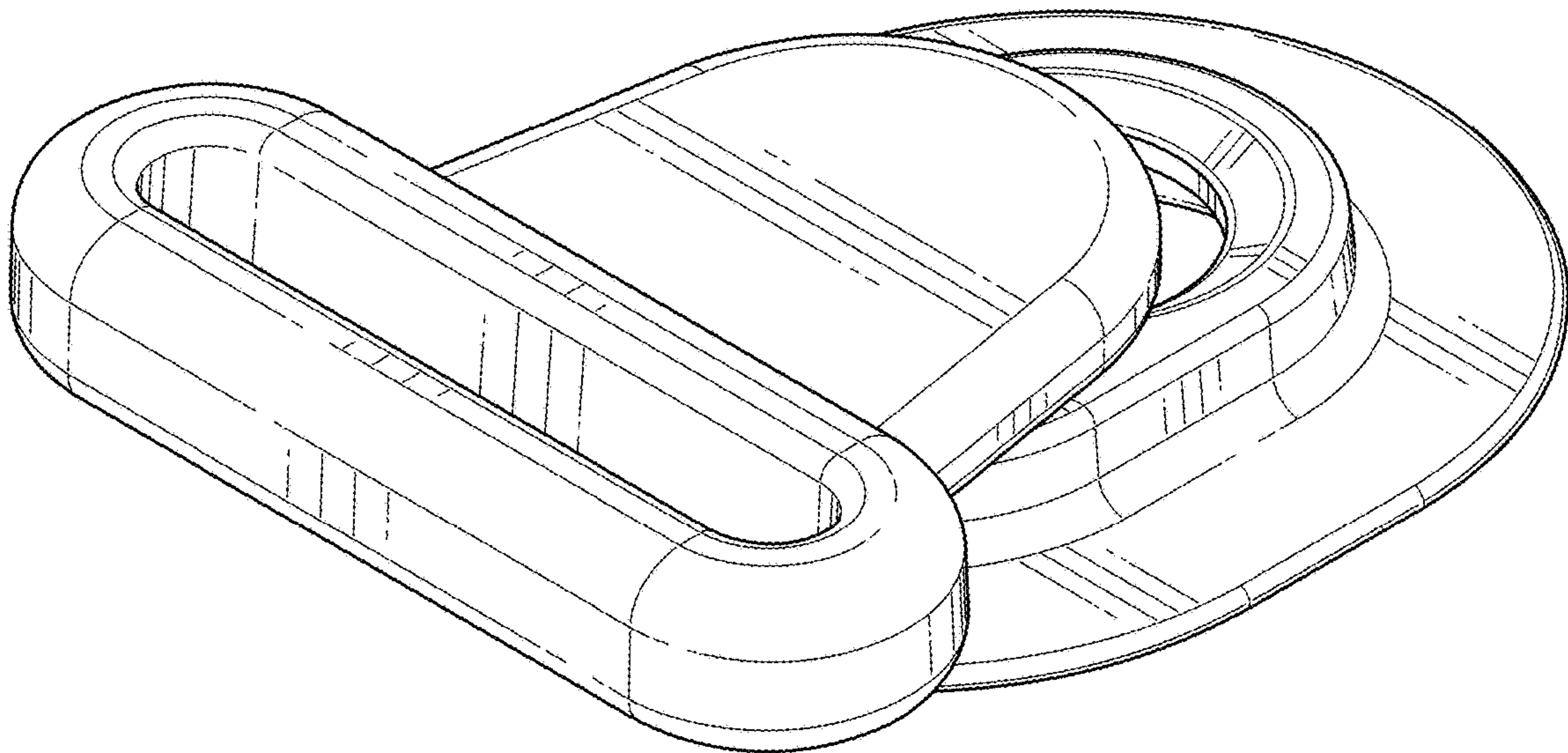


FIG. 16

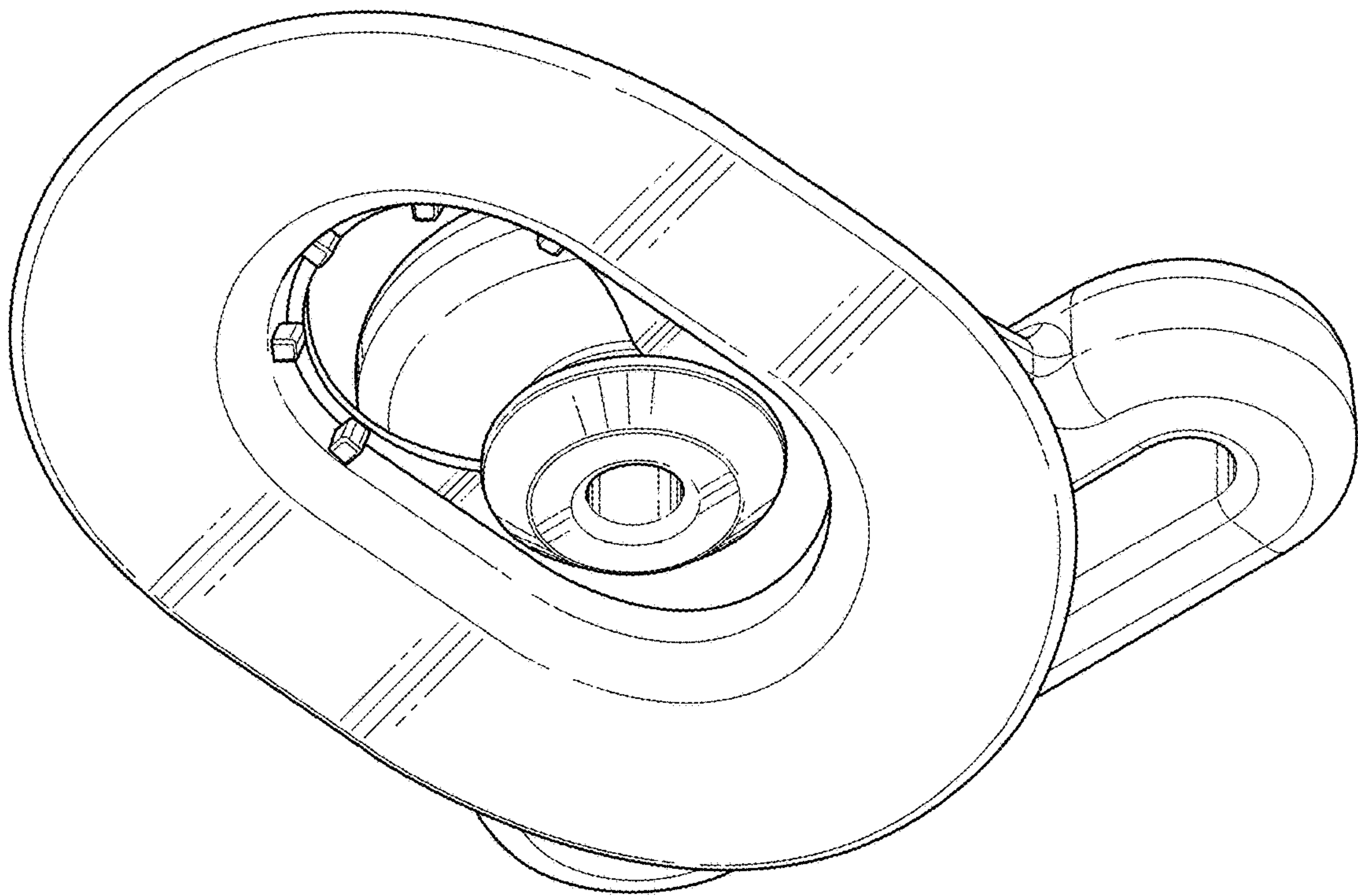


FIG. 17

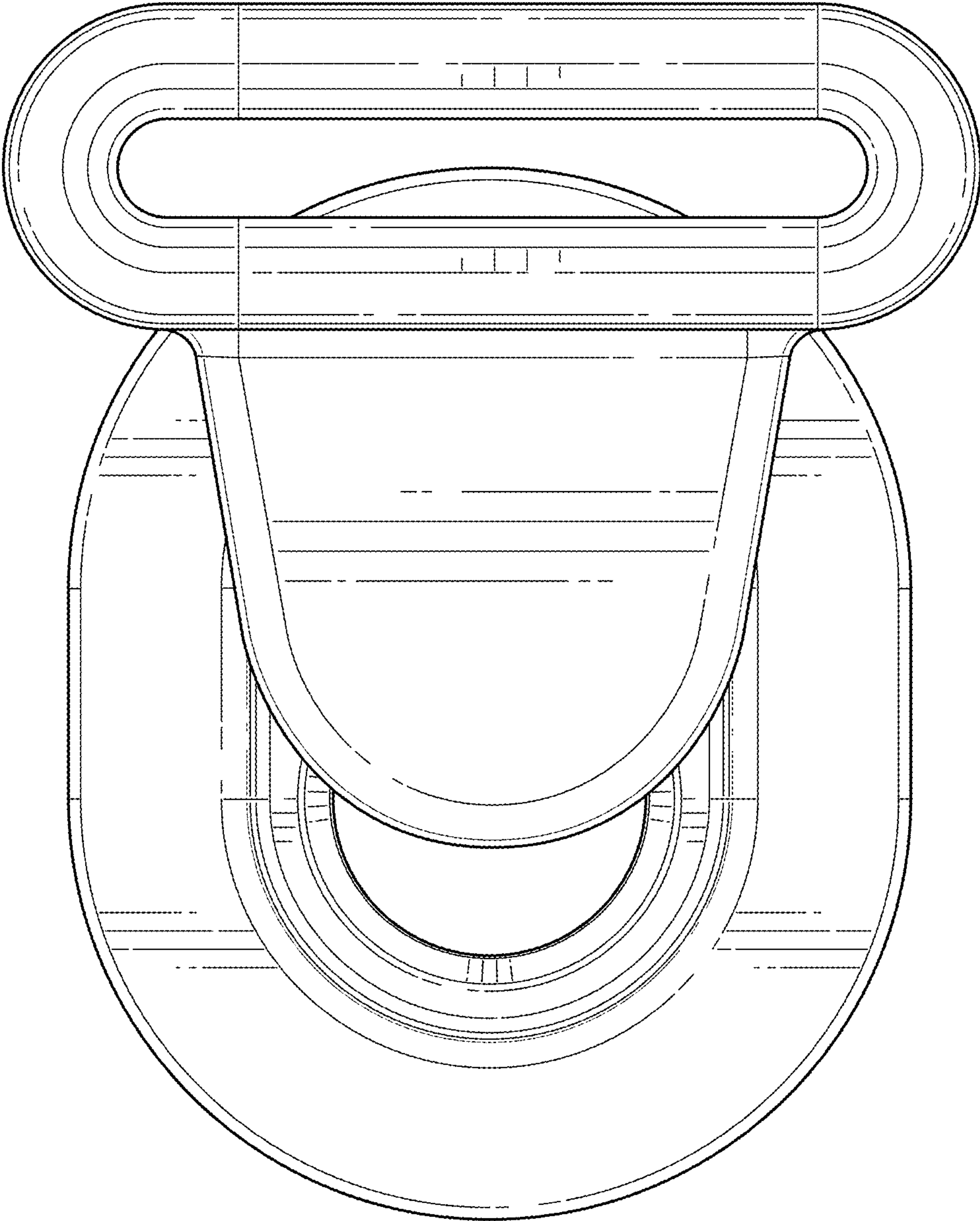


FIG. 18

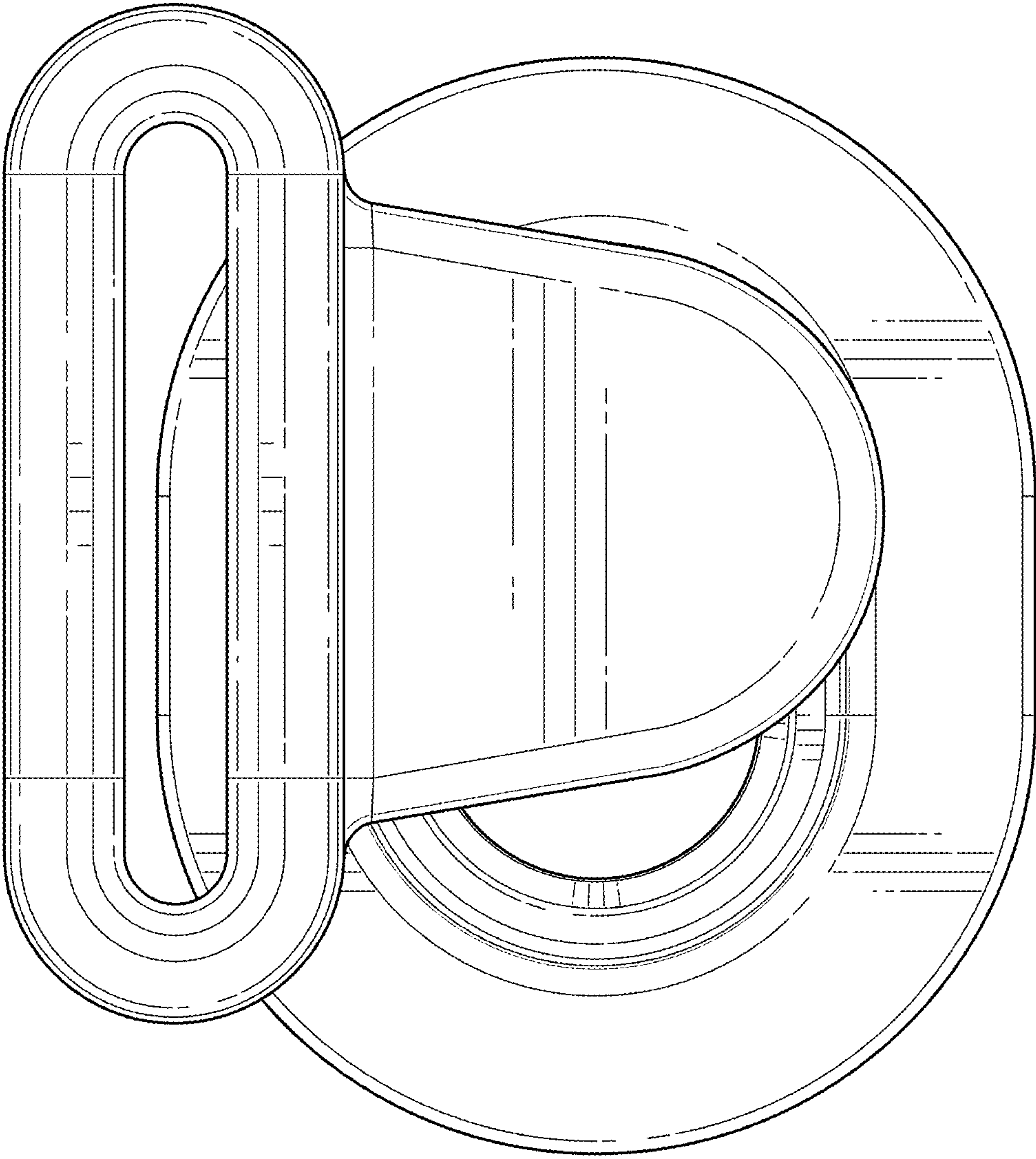


FIG. 19