



US00D775512S

(12) **United States Design Patent** (10) **Patent No.:** **US D775,512 S**
White (45) **Date of Patent:** **** Jan. 3, 2017**

(54) **TWO-SIDED RAILING SUPPORT BRACKET**

(71) Applicant: **Franklin B White**, Ft. Pierce, FL (US)

(72) Inventor: **Franklin B White**, Ft. Pierce, FL (US)

(**) Term: **15 Years**

(21) Appl. No.: **29/505,434**

(22) Filed: **Nov. 2, 2015**

D306,690 S	3/1990	Bison	D8/382
5,015,119 A	5/1991	Schmanski	404/12
D321,914 S	11/1991	Tam	D20/43
5,141,187 A	8/1992	Sherman	248/74.4
D330,523 S	10/1992	Killion	D10/119.2
D331,006 S	11/1992	Dziedzic	D8/356
D334,815 S	4/1993	Bunger	D25/113
5,208,585 A	5/1993	Sprague	340/908.1
D337,912 S	8/1993	Silverburg	D6/567
5,244,172 A	9/1993	Allega	248/161
D342,011 S	12/1993	Maguire	D8/349
D344,764 S	3/1994	Tam	D20/43

(Continued)

Related U.S. Application Data

(62) Division of application No. 29/463,595, filed on Jan. 10, 2014, now Pat. No. Des. 744,319.

(51) **LOC (10) Cl.** **08-05**

(52) **U.S. Cl.**
USPC **D8/354**

(58) **Field of Classification Search**
USPC D8/354, 349
CPC A47F 5/00; A47H 1/10; A47G 29/00;
A47G 29/08; A47B 97/00; A47B 47/00
See application file for complete search history.

(56) **References Cited**

U.S. PATENT DOCUMENTS

1,443,247 A	1/1923	Wrightman	40/607.11
2,541,434 A	2/1951	Leonard et al.	248/210
2,655,748 A	10/1953	Hirt	40/612
D183,569 S	9/1958	Hoffman	D10/109.1
3,692,266 A *	9/1972	Jacobs	A47H 1/10 248/301
D241,539 S	9/1976	Iverson	D20/22
4,134,222 A	1/1979	Orsos	40/606.15
4,249,832 A	2/1981	Schmanski	404/6
4,338,041 A	7/1982	Schmanski	404/9
4,347,932 A	9/1982	Furutu	206/343
D286,166 S	10/1986	Russell	D20/22
D296,075 S	6/1988	Jones	D8/373

OTHER PUBLICATIONS

Newman traffic signs mounting hardware, 2008, 1 page http://www.newmansigns.com/traffic_signs/accessories.php.

(Continued)

Primary Examiner — Holly Baynham

(74) *Attorney, Agent, or Firm* — David A. Burge

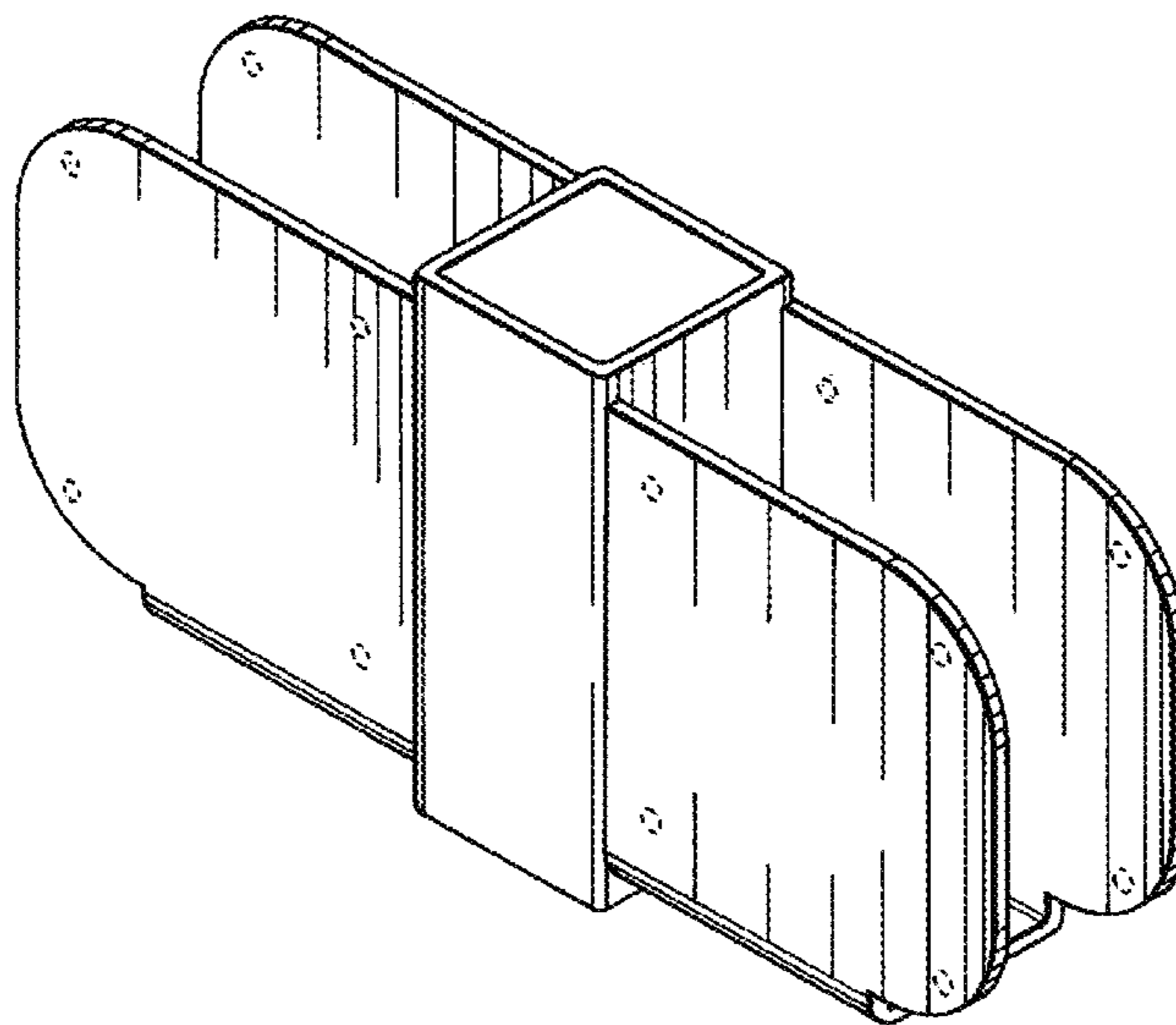
(57) **CLAIM**

I claim the ornamental design for a two-sided railing support bracket, as shown and described.

DESCRIPTION

FIG. 1 is a perspective view showing front, top and right side features of my new design;
FIG. 2 is a front elevational view thereof;
FIG. 3 is a top plan view thereof;
FIG. 4 is a bottom plan view thereof; and,
FIG. 5 is a right side elevation view thereof, it being understood that a left side elevation view is identical hereto. The broken lines showing holes are for the purpose of illustrating environment and form no part of the claimed design.

1 Claim, 2 Drawing Sheets



(56)

References Cited

U.S. PATENT DOCUMENTS

D347,568 S 6/1994 Siragusa et al. D8/382
 D353,627 S 12/1994 McCormick D20/43
 D354,773 S 1/1995 Koves D19/99
 D369,958 S 5/1996 Huang et al. D8/387
 D370,171 S 5/1996 Emerson D8/354
 D373,074 S 8/1996 Miyashita D8/382
 D374,811 S 10/1996 Miyashita D8/382
 D377,751 S 2/1997 Koebbe D8/355
 5,619,829 A 4/1997 Tan et al. 52/293.3
 D389,078 S 1/1998 Freeman D10/113.2
 5,709,051 A 1/1998 Mazziotti 52/12
 D393,045 S 3/1998 Hsu D20/43
 D400,428 S 11/1998 Sabounjian D8/382
 D401,211 S 11/1998 Simpson D12/223
 5,878,519 A 3/1999 Huyck, Jr. et al. 40/612
 5,906,064 A 5/1999 Field 40/606
 D416,290 S 11/1999 Poelvoorde et al. D20/43
 D420,566 S 2/2000 Ely et al. D8/354
 D425,133 S 5/2000 Ueno D20/43
 D428,804 S 8/2000 Benz et al. D8/382
 D430,789 S 9/2000 Opperman D8/363
 D437,772 S * 2/2001 Erwin D8/354
 6,378,232 B1 4/2002 Creech 40/611
 6,378,818 B1 4/2002 Padiak et al. 248/201
 D464,013 S 10/2002 Adams et al. D12/223
 D474,676 S 5/2003 Bainbridge D8/354
 6,695,266 B1 2/2004 Tsai 248/125.8
 D488,056 S 4/2004 Dion D8/381
 D491,450 S 6/2004 Braun et al. D8/382
 D507,226 S 7/2005 Oksa D12/223
 D507,352 S 7/2005 Vanderbrugghen D25/42
 D508,572 S 8/2005 Suggate D25/134
 6,962,461 B2 11/2005 Choi et al. 404/6
 D520,322 S 5/2006 Orlando D8/70
 7,069,680 B1 7/2006 Crawford 40/607.14
 D537,509 S 2/2007 Thielen D23/337
 D547,462 S 7/2007 Petta et al. D25/122
 D552,947 S 10/2007 Ewasnik D8/5
 D557,344 S 12/2007 Johnson D20/41
 D558,274 S 12/2007 Geeves D20/41
 D559,665 S 1/2008 Terada et al. D8/382
 D563,776 S 3/2008 Dagg D8/382
 D564,868 S 3/2008 Terada et al. D8/382
 D571,645 S 6/2008 Skoog D8/382
 D576,026 S 9/2008 Mazzocco D8/382
 D583,219 S 12/2008 Dagg D8/349
 D591,586 S 5/2009 Dagg D8/382
 D599,649 S 9/2009 Wakasugi et al. D8/382
 D609,752 S 2/2010 Miller D20/41
 D611,887 S 3/2010 Peschmann D12/223
 D612,477 S 3/2010 Simpson D23/403
 D617,180 S 6/2010 VanElverdinghe D8/382
 D617,633 S 6/2010 VanElverdinghe D8/382

7,770,849 B2 8/2010 Martin et al. 248/65
 D623,697 S 9/2010 Makhija et al. D20/41
 D627,630 S 11/2010 Sandinge D8/380
 D631,734 S 2/2011 Fernandez et al. D8/380
 D638,694 S 5/2011 Misch D8/380
 7,997,547 B1 8/2011 Maus 248/219.3
 8,001,880 B2 8/2011 White et al. 89/36.04
 8,047,498 B1 11/2011 Karty 248/595
 D650,126 S 12/2011 Kong et al. D26/138
 D665,656 S 8/2012 Anzelmo D8/380
 D669,135 S 10/2012 Garfinkle D20/43
 D678,045 S 3/2013 Paolini D8/382
 D692,498 S 10/2013 Valls et al. D20/43
 D695,592 S 12/2013 White D8/354
 8,656,947 B1 2/2014 Barton 137/544
 D701,107 S 3/2014 White D8/354
 D703,029 S 4/2014 Fox D8/373
 D707,545 S 6/2014 Schopf D8/394
 D713,463 S 9/2014 Dougherty et al. D20/43
 D727,138 S 4/2015 Cross D8/382
 D730,719 S 6/2015 Sundberg D8/354
 D730,724 S 6/2015 Brown D8/380
 D732,380 S 6/2015 Chou D8/383
 D744,319 S * 12/2015 White D8/354
 2002/0174582 A1 11/2002 Garfinkle et al. 40/606
 2003/0051414 A1 3/2003 Bessette 52/16
 2005/0269466 A1 12/2005 Conway et al. 248/222.14
 2008/0178506 A1 7/2008 Garfinkle 40/658
 2008/0307684 A1 12/2008 Ullola et al. 40/607.1
 2009/0178319 A1 7/2009 Ullola et al. 40/607.1
 2009/0289161 A1 11/2009 Nuttman 248/229.1
 2010/0012811 A1 1/2010 MacKenzie et al. 248/423
 2011/0010974 A1 1/2011 White 40/606.02
 2011/0047845 A1 3/2011 Barile 40/658
 2011/0214321 A1 9/2011 White 40/606.01
 2012/0001051 A1 1/2012 Williams 248/519
 2012/0204454 A1 8/2012 Larsen 40/591
 2012/0285567 A1 11/2012 Kessler 137/615
 2013/0161943 A1 6/2013 Bailey 285/283

OTHER PUBLICATIONS

Western Safety Products Sign Mounting Hardware & Posts, 2015, 2 Pages <http://www.westernsafety.com/products/safewaysigns/safewaysignpg4.html>.
 Safetysign.com website 180 Degree U-Channel Post Bkt , 2015, 1 page <http://www.safetysign.com/products/p8863/street-name-bracket>.
 Grimco Inc. U Channel Post Bracket Heavy Duty St. Sign, 2015, 1 page <http://www.grimco.com/Products.aspx?cid+0073&pid=00318&sid-BA180F>.
 Traffic Sign Source website 180X U-channel Post Bkt, 2015, 1 page <http://www.trafficsignsource.com/signhardware.htm>.

* cited by examiner

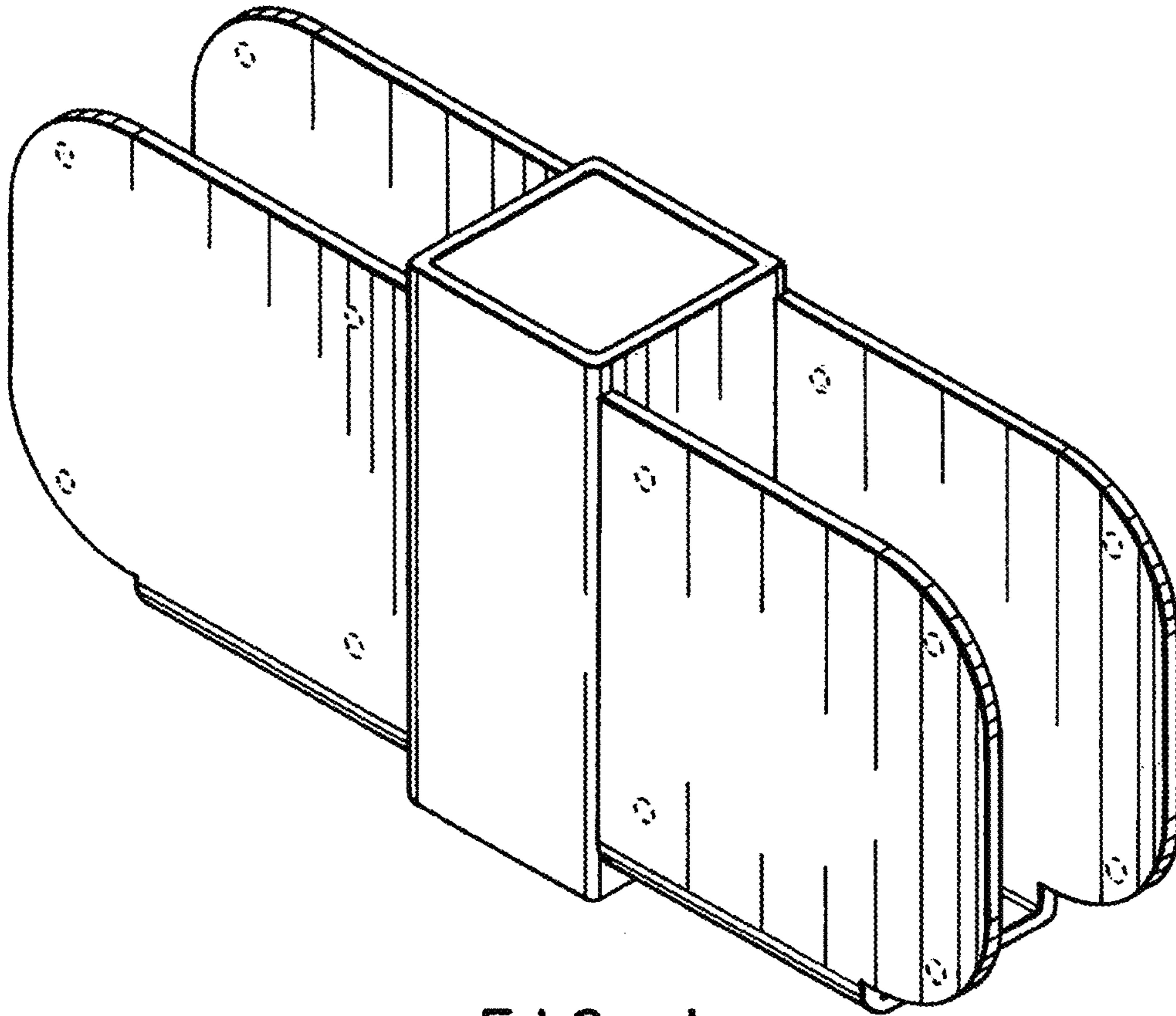


FIG. 1

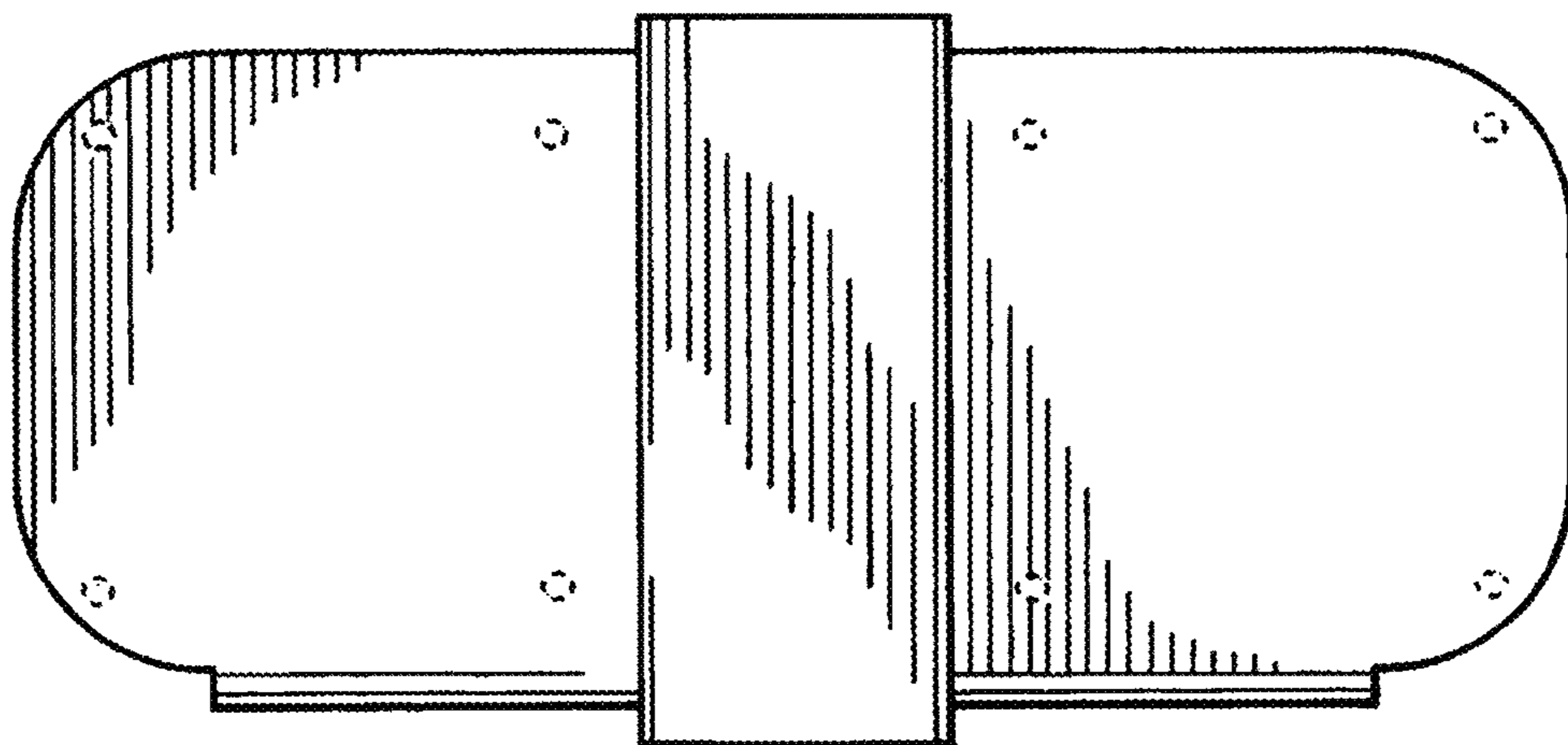


FIG. 2

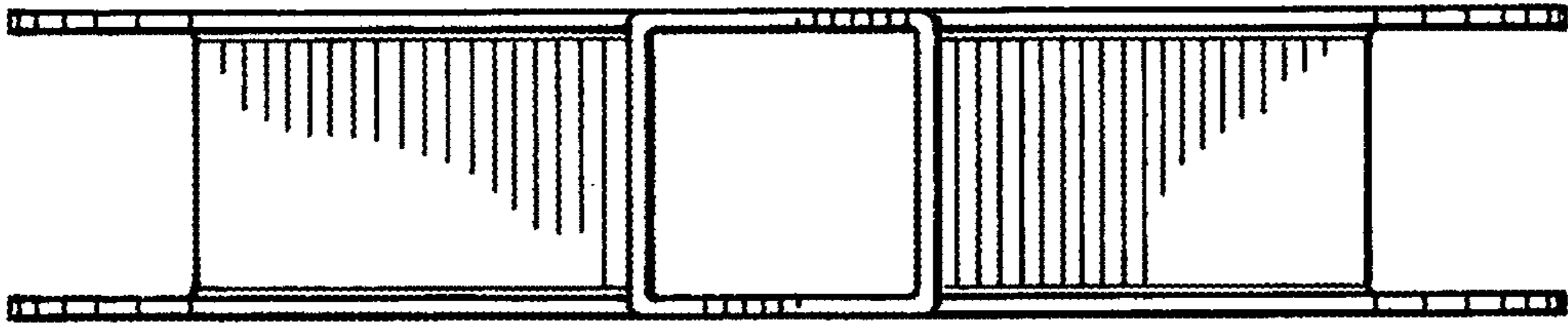


FIG. 3

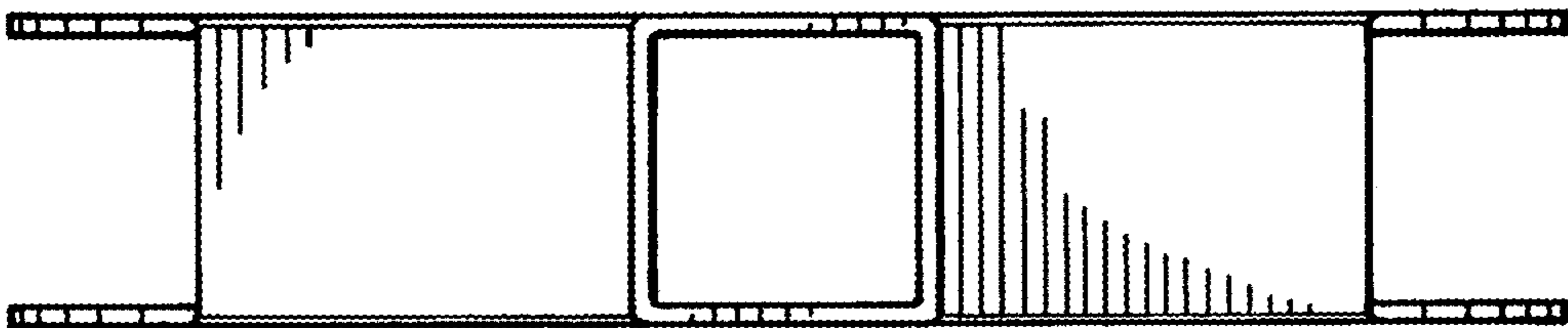


FIG. 4

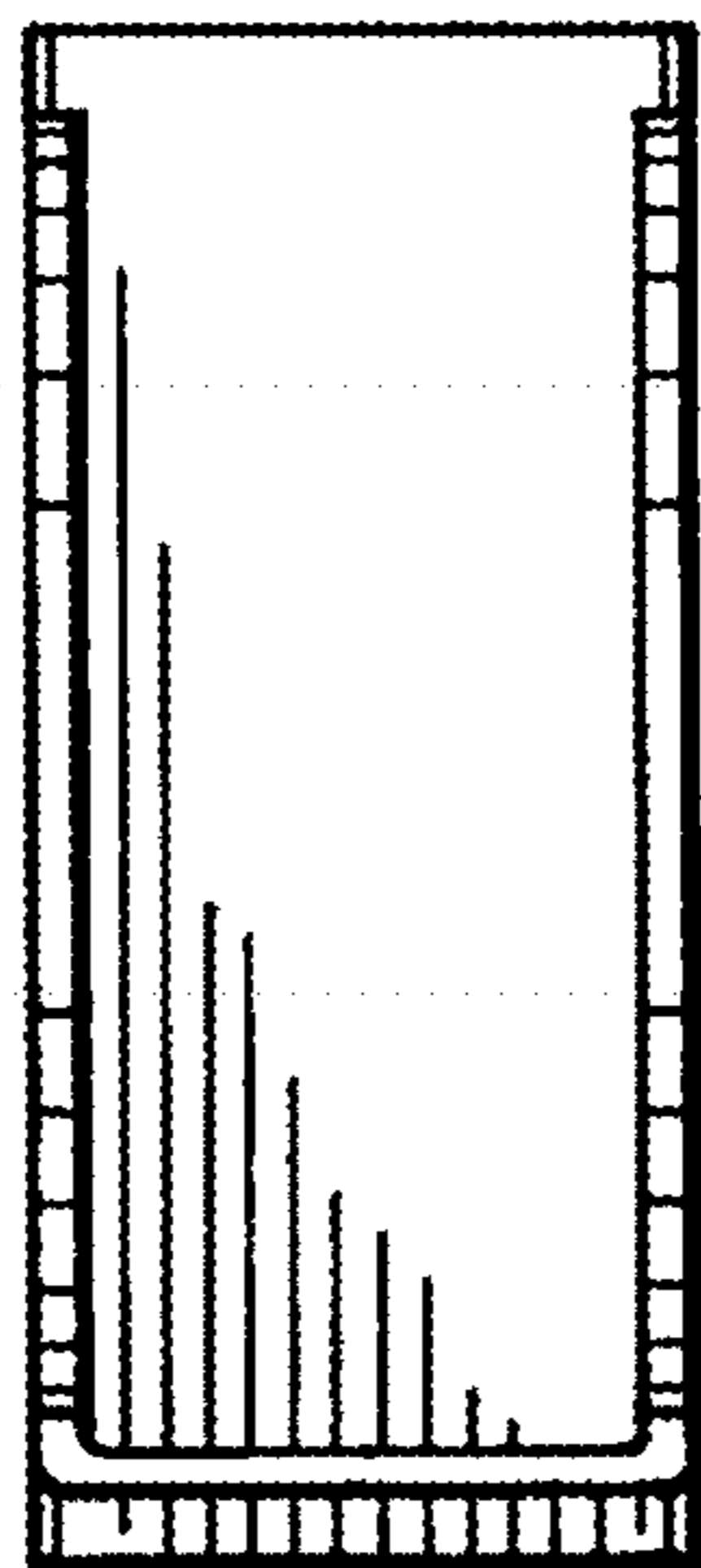


FIG. 5