



US00D775511S

(12) **United States Design Patent**
White

(10) **Patent No.:** **US D775,511 S**

(45) **Date of Patent:** **** Jan. 3, 2017**

(54) **PADLOCKABLE SECURITY COLLAR
HAVING PIVOTALLY CONNECTED
COMPONENTS FOR SHIELDING A
CLAMPABLE CONNECTOR ASSEMBLY**

(71) Applicant: **Franklin B White**, Ft. Pierce, FL (US)

(72) Inventor: **Franklin B White**, Ft. Pierce, FL (US)

(**) Term: **15 Years**

(21) Appl. No.: **29/505,301**

(22) Filed: **Sep. 8, 2015**

(51) **LOC (10) Cl.** **08-07**

(52) **U.S. Cl.**
USPC **D8/346; D8/336**

(58) **Field of Classification Search**
USPC D8/330, 331, 343, 346, 398, 394, 449,
D8/336-338, 339; 70/57, 57.1, 51-56,
70/416, 485, 486, 445, 419, 431, 422,
70/158, DIG. 26, 20-30, 93, 160, 14, 16,
70/17, 19, 52, 159, 237, DIG. 56;
292/245, 256, 256.6, 257, 258, 307 R,
292/339, 256.63

CPC E05B 1/00; E05B 9/00; E05B 9/04;
E05B 9/08; E05B 67/02; E05B 17/0004

See application file for complete search history.

(56) **References Cited**

U.S. PATENT DOCUMENTS

2,752,440 A	6/1956	Robbins et al	200/43.13
3,283,608 A	11/1966	Davis et al	74/527
3,321,589 A	5/1967	Persia et al.	200/43.08
3,572,062 A	3/1971	Beebe	70/1.5
4,047,686 A	9/1977	Porter	248/552
4,576,022 A *	3/1986	Gamble	E05B 67/38 70/417
D284,447 S *	7/1986	Webster	D8/331
4,896,518 A *	1/1990	Appelgren	E05B 67/38 70/14
5,092,143 A	3/1992	Rumbles	70/56

5,203,187 A *	4/1993	Kane	E05B 13/001 292/DIG. 2
5,277,599 A	1/1994	Nilson	439/133
5,425,256 A	6/1995	Crosby	70/209
5,497,416 A	3/1996	Butler et al.	379/413.04
D379,059 S	5/1997	Turner	D8/346
D384,267 S	9/1997	Giles	D8/346
D389,442 S *	1/1998	Kantor	D12/162
D391,469 S	3/1998	Foushee	D8/346
5,743,116 A	4/1998	Suster	70/14
5,808,292 A	9/1998	Iddan	250/203.1
6,032,989 A	3/2000	DeWalch et al.	292/256.6
6,182,479 B1	2/2001	Daoud	70/2
6,439,008 B1 *	8/2002	Keil	B60D 1/60 70/54
6,972,387 B2	12/2005	Berthaud	200/43.13
D523,729 S *	6/2006	Gorst	D8/333
D567,068 S *	4/2008	Barton	D8/346
D578,376 S	10/2008	Barton	D8/346
D630,492 S	1/2011	Faulkner	D8/346

(Continued)

Primary Examiner — Prabhakar Deshmukh

(74) *Attorney, Agent, or Firm* — David A. Burge

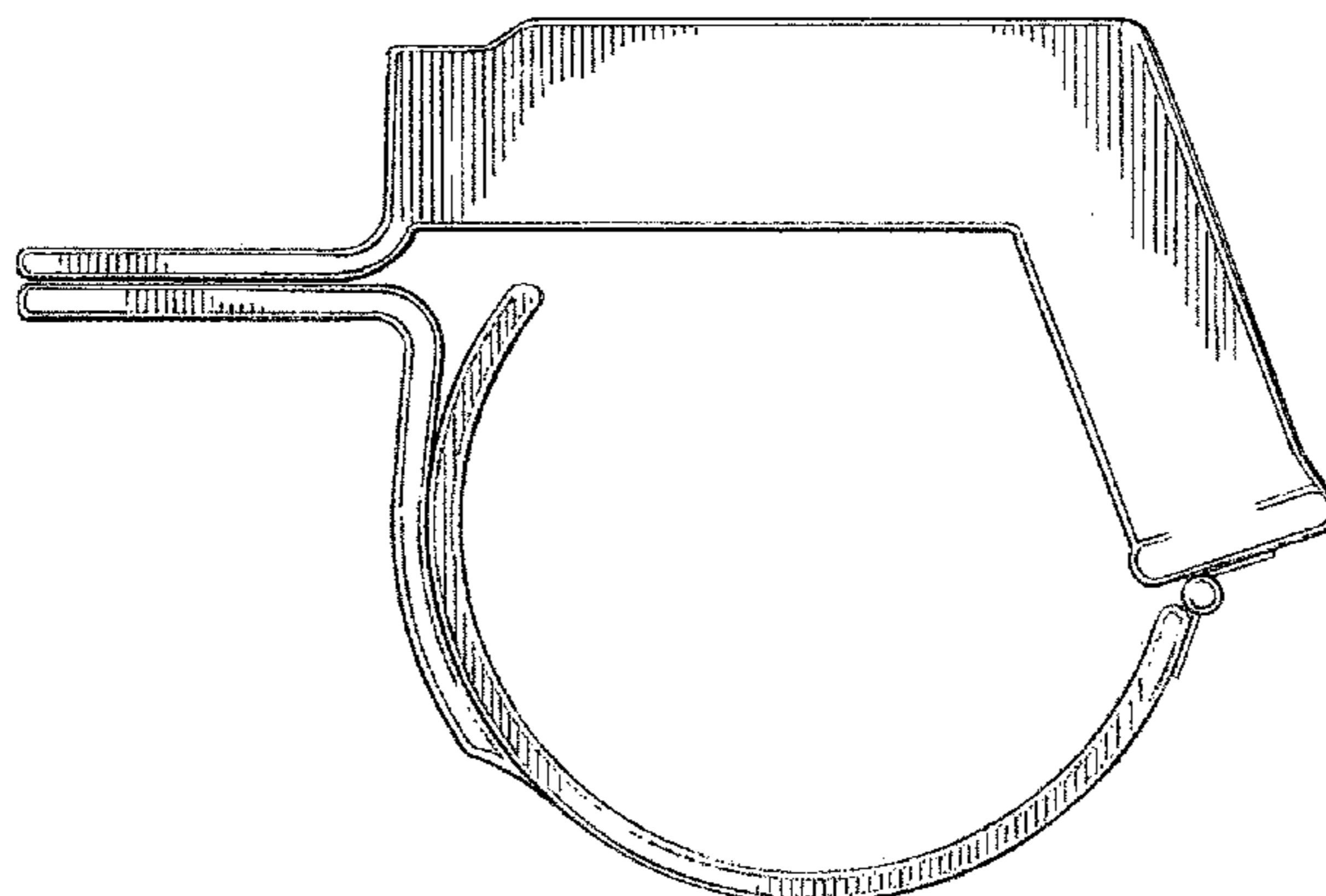
(57) **CLAIM**

I claim the ornamental design for a padlockable security collar having pivotally connected components for shielding a clampable connector assembly, as shown and described.

DESCRIPTION

FIG. 1 is a padlockable security collar having pivotally connected components for shielding a clampable connector assembly showing my new design;
FIG. 2 is a front elevational view thereof;
FIG. 3 is a rear elevational view thereof;
FIG. 4 is a left side elevational view thereof;
FIG. 5 is a right side elevational view thereof;
FIG. 6 is a sectional view thereof, taken along line 6-6 of FIG. 2;
FIG. 7 is a top plan view thereof; shown in an open position; and,
FIG. 8 is a front elevational view of FIG. 7.

1 Claim, 4 Drawing Sheets



(56)

References Cited

U.S. PATENT DOCUMENTS

D652,708 S * 1/2012 Figureida D8/343
8,294,583 B2 * 10/2012 Sayegh E05B 73/0017
24/16 PB
8,418,512 B2 * 4/2013 Trank B60R 25/001
70/16
D719,012 S * 12/2014 Alexander D8/346
D731,872 S 6/2015 White D8/343
D731,873 S * 6/2015 Harder D8/346
2007/0227206 A1 10/2007 Stone 70/232

* cited by examiner

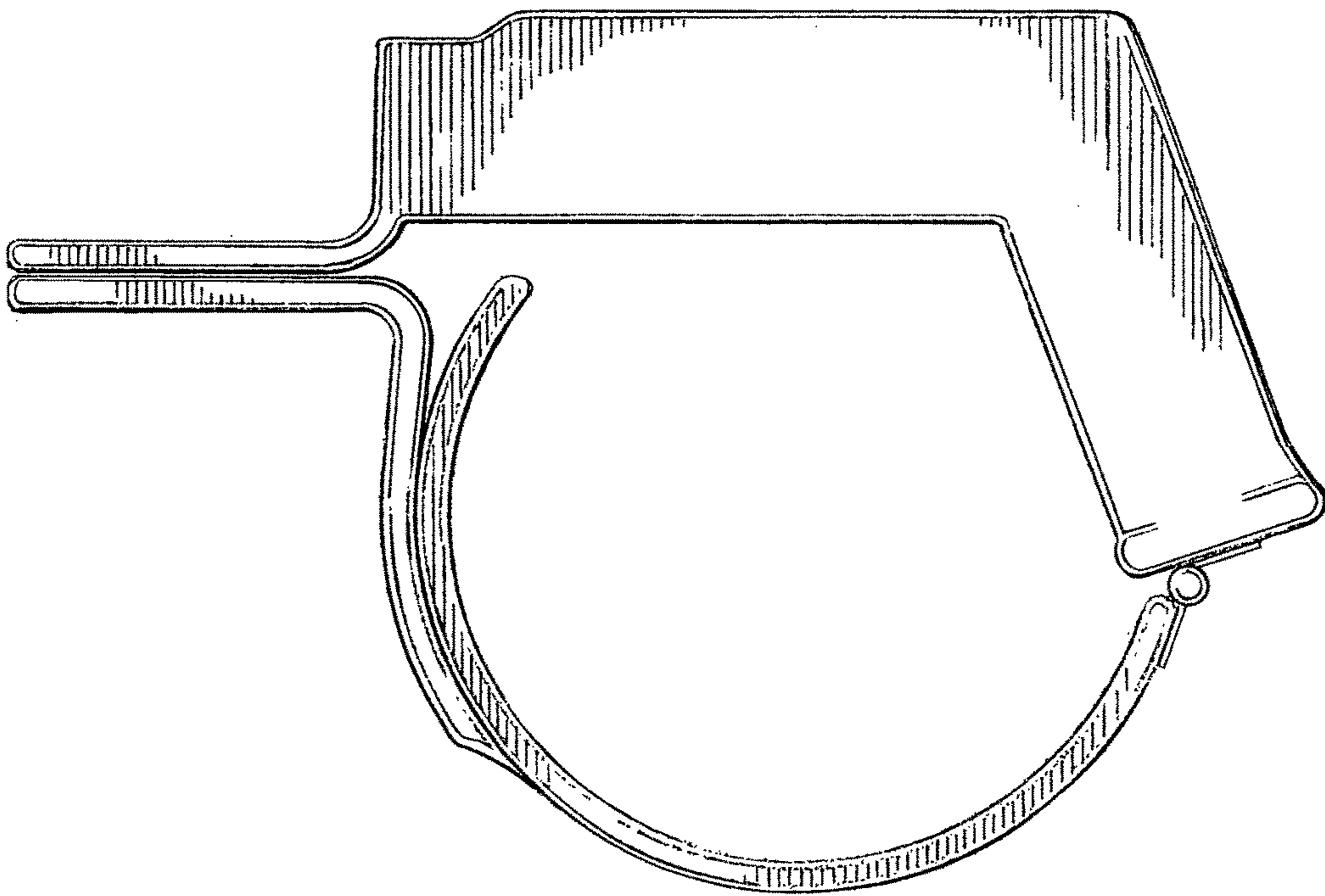


FIG. 1

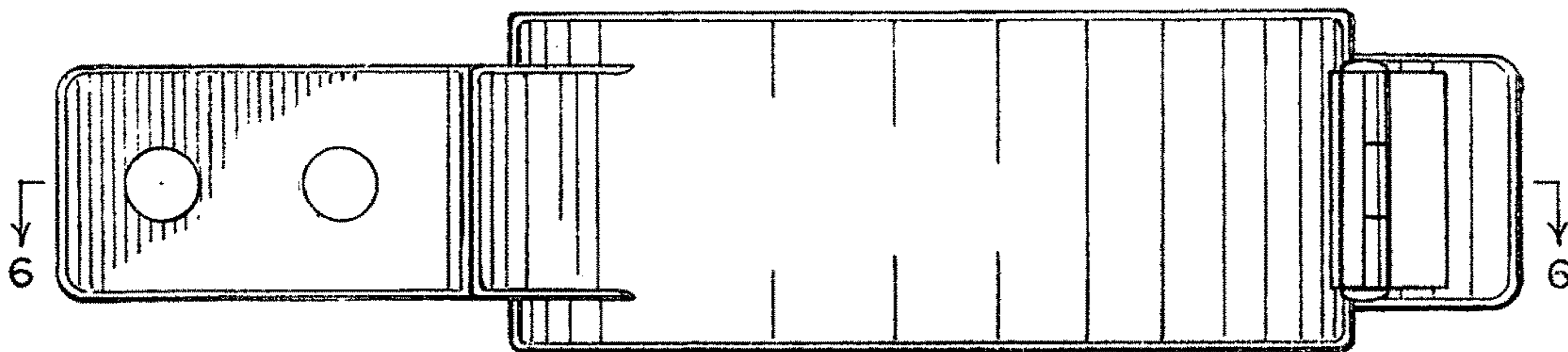


FIG. 2

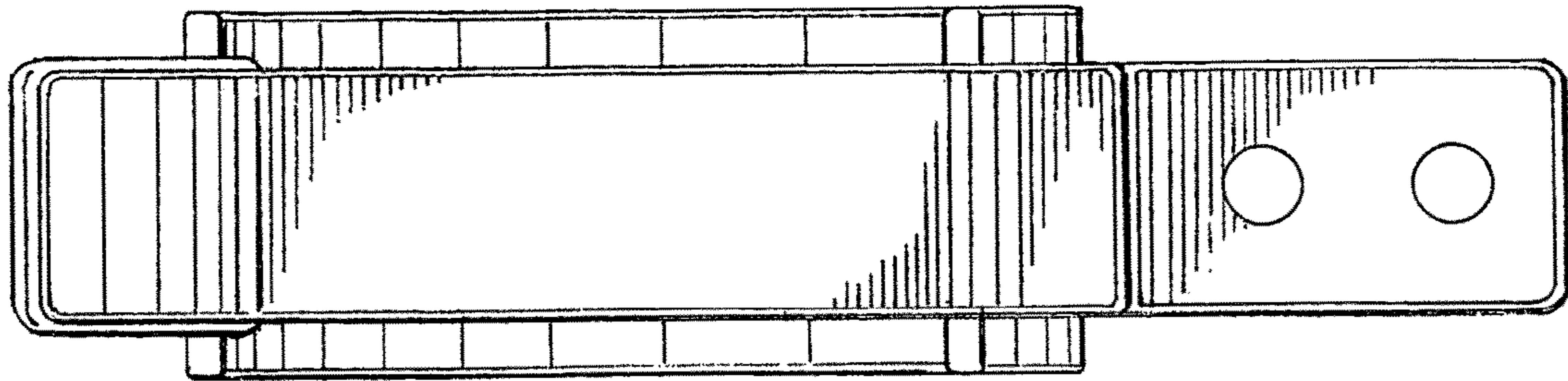


FIG. 3

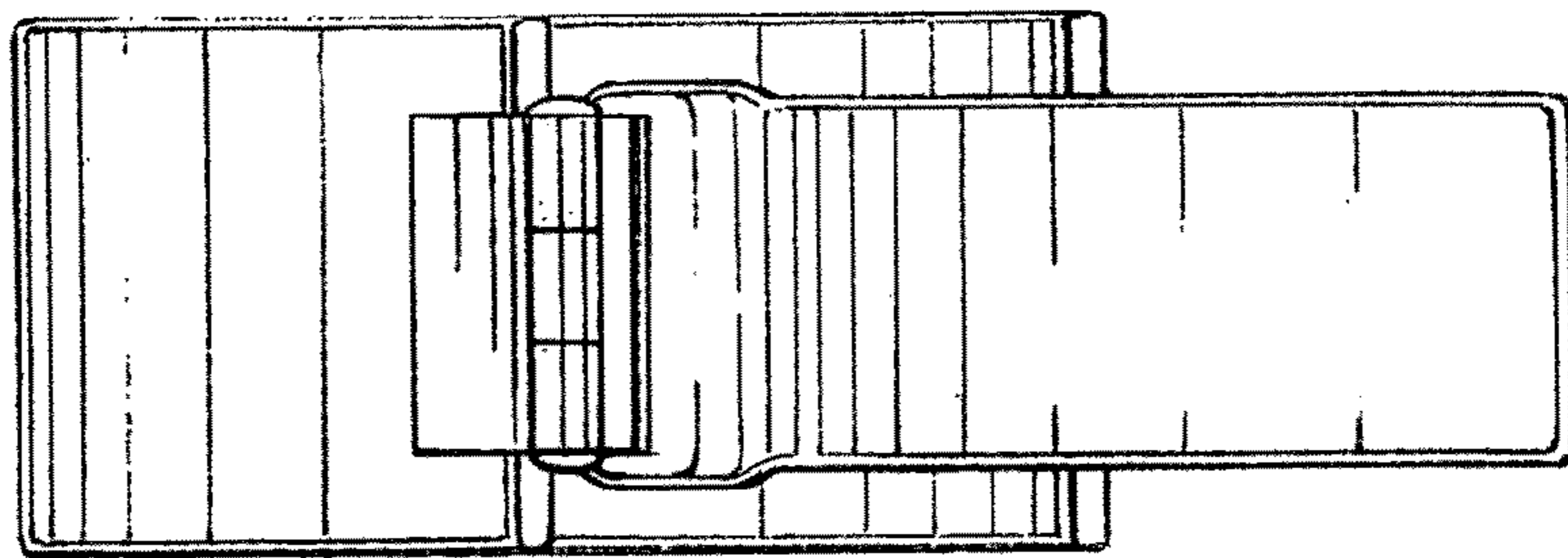


FIG. 4

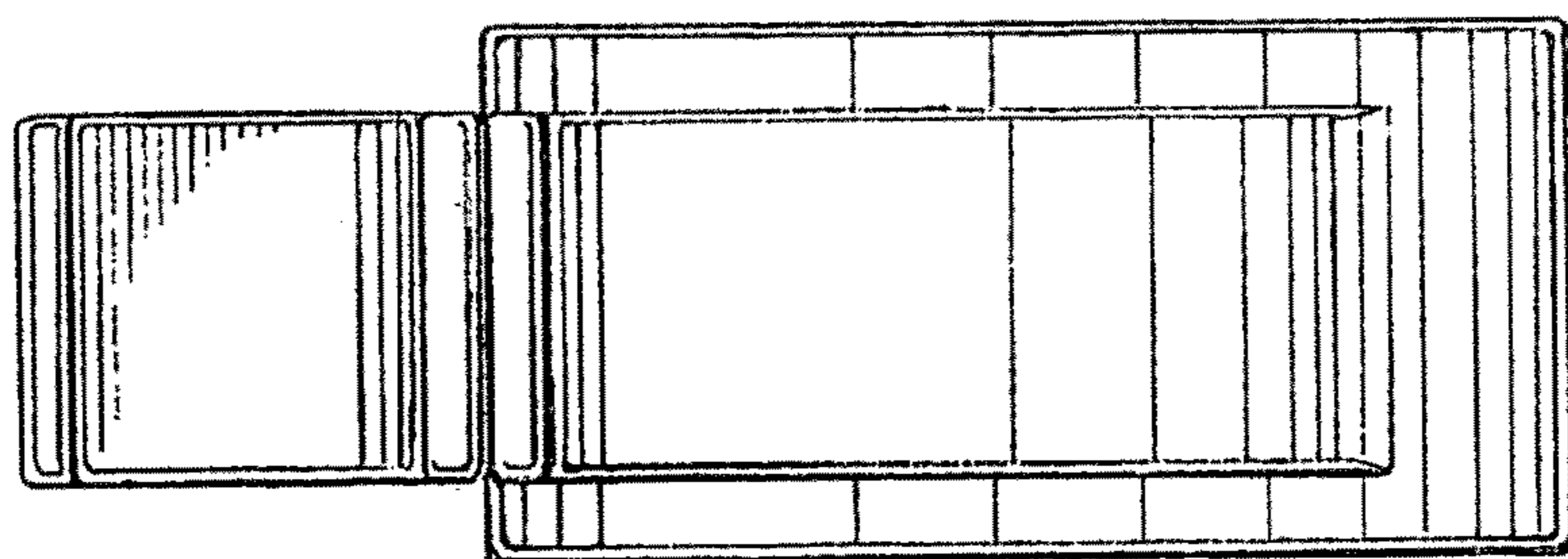


FIG. 5

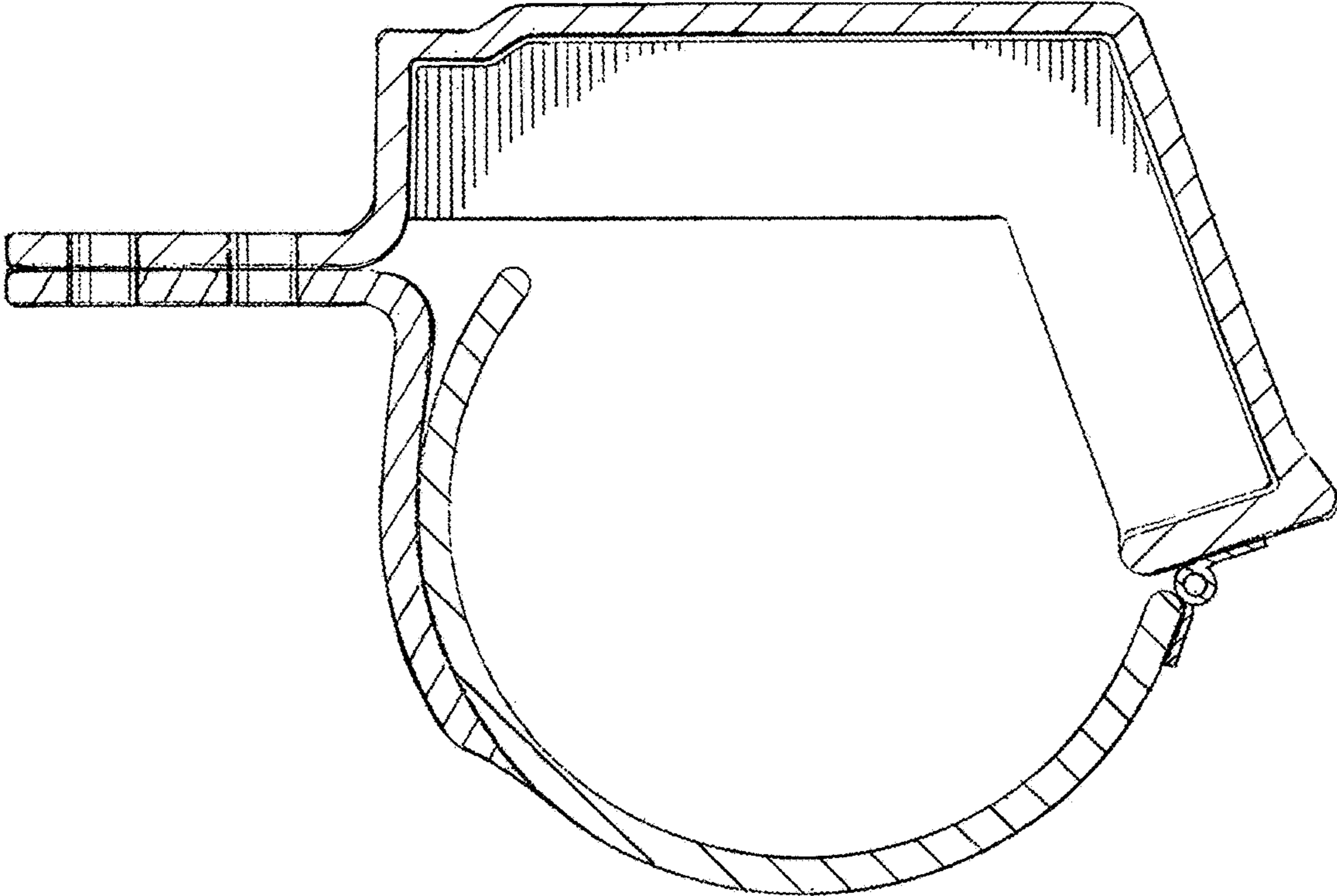


FIG. 6

