



US00D775509S

(12) **United States Design Patent**
Marsden

(10) **Patent No.:** **US D775,509 S**
(45) **Date of Patent:** **** Jan. 3, 2017**

- (54) **DRAWER LATCH**
- (71) Applicant: **Elbee Pty Ltd.**, Bondi Junction (AU)
- (72) Inventor: **Andrew Marsden**, Hingham, MA (US)
- (73) Assignee: **Elbee Pty Ltd.**, Bondi Junction (AU)
- (**) Term: **15 Years**
- (21) Appl. No.: **29/537,463**
- (22) Filed: **Aug. 26, 2015**
- (51) **LOC (10) Cl.** **08-07**
- (52) **U.S. Cl.**
USPC **D8/331; D8/330**
- (58) **Field of Classification Search**
USPC D8/330, 331, 336, 339, 343, 349, 350,
D8/354, 382, 400, 300, 301, 302; 70/14,
70/51, 52, 57, 57.1, 67, 69, 78, 85, 86,
70/88, 141, 262, 263, 431, 218, 221, 203;
292/32, 358, 359, DIG. 68, DIG. 30, 137,
292/106, 108, 336.3; 312/294, 333, 334.1,
312/330.1, 351.1
CPC E05B 3/00; E05B 9/00; E05B 2009/004;
E05B 47/00; E05B 55/00; E05B
15/00; E05C 7/00; E05C 19/08
See application file for complete search history.

6,955,380 B1 * 10/2005 Barr E05C 19/06
292/303
D568,716 S * 5/2008 Littrell D8/331
7,758,134 B2 * 7/2010 Huang A47B 88/08
312/334.47

(Continued)

Primary Examiner — Prabhakar Deshmukh
(74) *Attorney, Agent, or Firm* — Wolf, Greenfield & Sacks, P.C.

(57) **CLAIM**

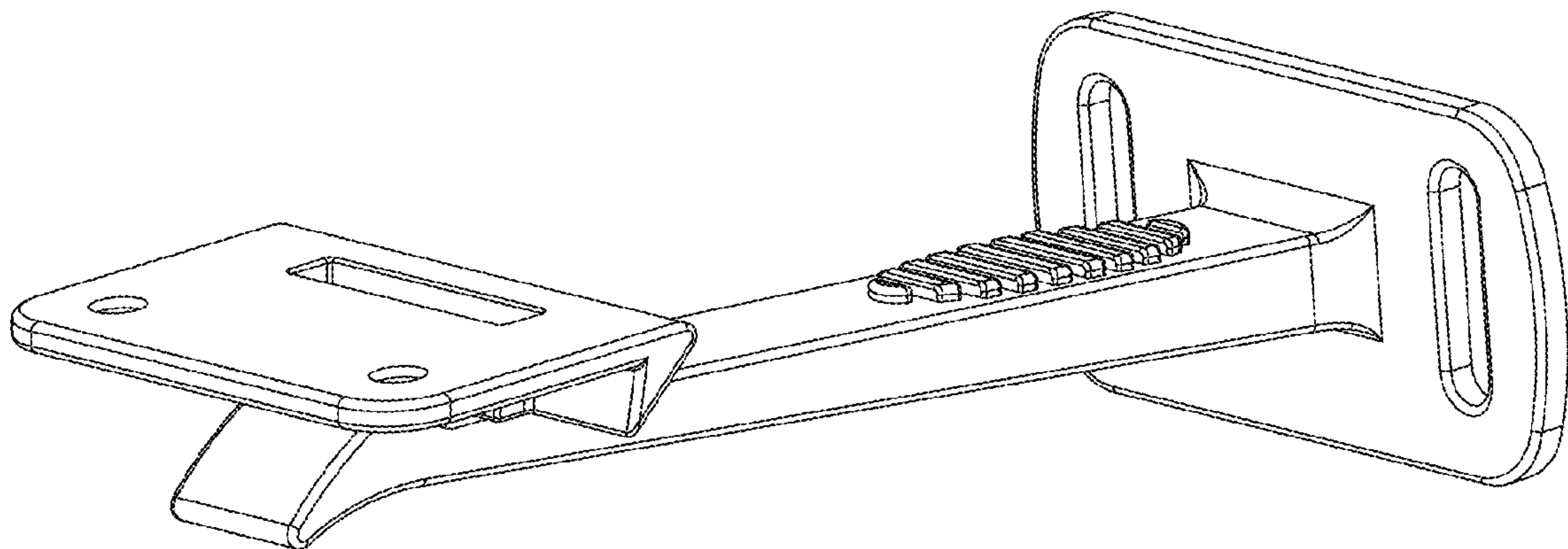
The ornamental design for a drawer latch, as shown and described.

DESCRIPTION

FIG. 1 is a top, front and right perspective view of a drawer latch showing my new design;
FIG. 2 is an exploded perspective view of FIG. 1;
FIG. 3 is a bottom, rear and right perspective view thereof;
FIG. 4 is an exploded perspective view of FIG. 3;
FIG. 5 is a bottom, front and right perspective view thereof;
FIG. 6 is an exploded perspective view of FIG. 5;
FIG. 7 is a top, rear and right perspective view thereof;
FIG. 8 is an exploded perspective view of FIG. 7;
FIG. 9 is a right side elevation view thereof;
FIG. 10 is an exploded right side elevation view of FIG. 9;
FIG. 11 a left side elevation view thereof;
FIG. 12 is an exploded left side elevation view of FIG. 11;
FIG. 13 is a top plan view thereof;
FIG. 14 is a bottom plan view thereof;
FIG. 15 is an enlarged front elevation view thereof;
FIG. 16 is an exploded front elevation view of FIG. 15;
FIG. 17 is an enlarged rear elevation view thereof; and,
FIG. 18 is an exploded rear elevation view of FIG. 17.

1 Claim, 18 Drawing Sheets

- (56) **References Cited**
U.S. PATENT DOCUMENTS
2,689,777 A * 9/1954 Wolters E05B 65/46
292/175
5,312,143 A * 5/1994 Buckner E05B 77/12
292/230
D400,076 S * 10/1998 Jancsek D8/306
D471,076 S * 3/2003 Radel D8/343



(56)

References Cited

U.S. PATENT DOCUMENTS

7,866,192 B2 * 1/2011 Gianelo E05B 17/2034
312/333
8,032,053 B2 * 10/2011 Atwood G03G 21/1647
312/333
8,678,528 B2 * 3/2014 Domenig A47B 88/0477
312/319.1
8,944,537 B1 * 2/2015 Manalang B25H 3/028
312/319.2
8,983,653 B2 * 3/2015 Barrett G06F 19/3462
700/237
D727,714 S * 4/2015 Gherlenda D8/331

* cited by examiner

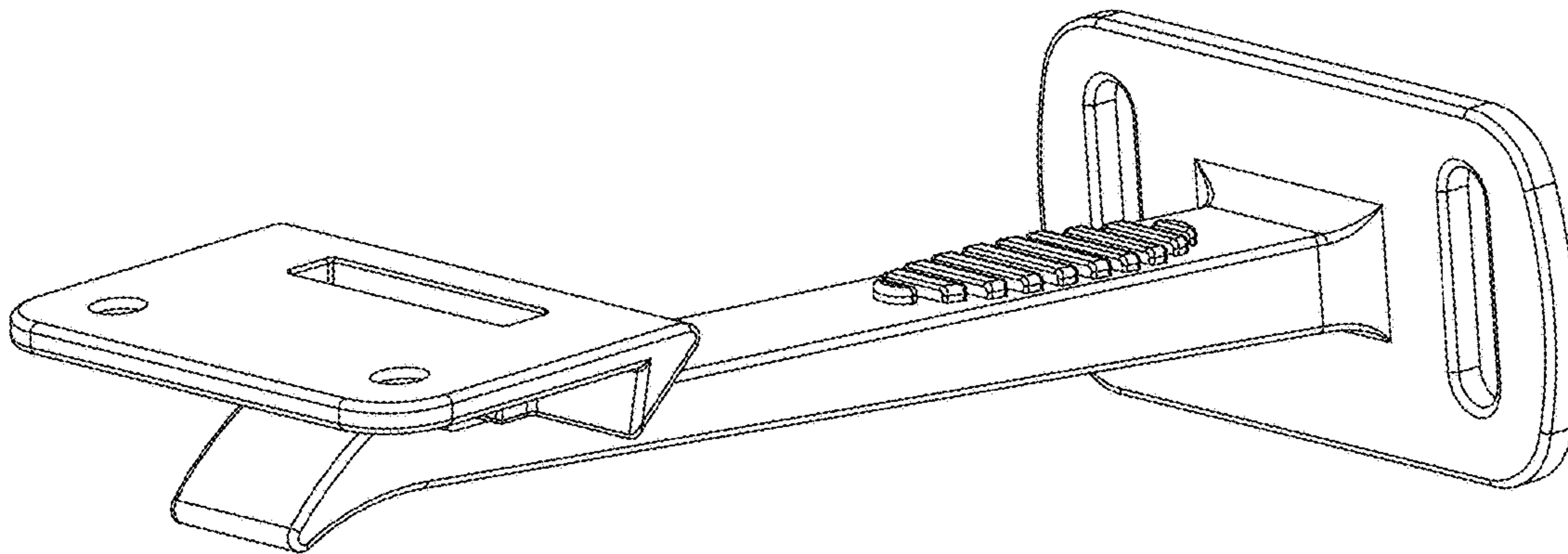


FIG. 1

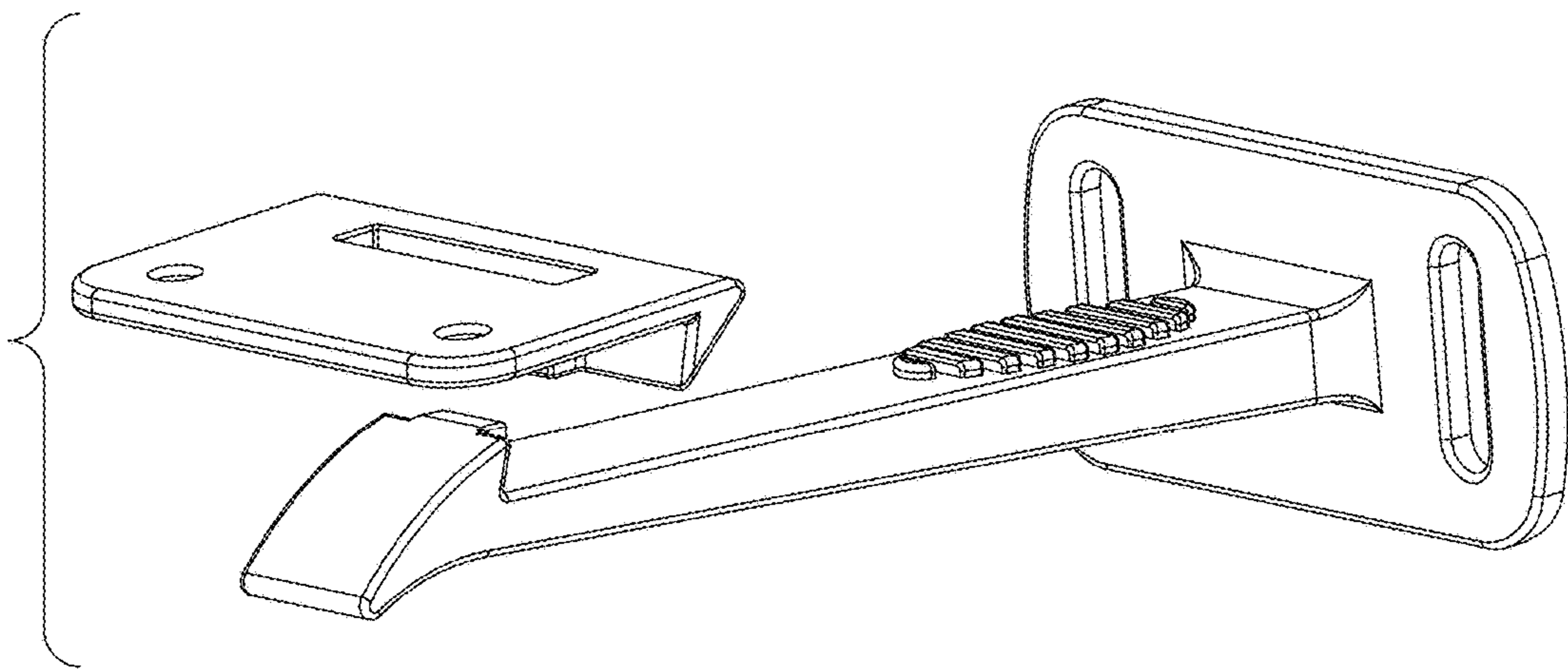


FIG. 2

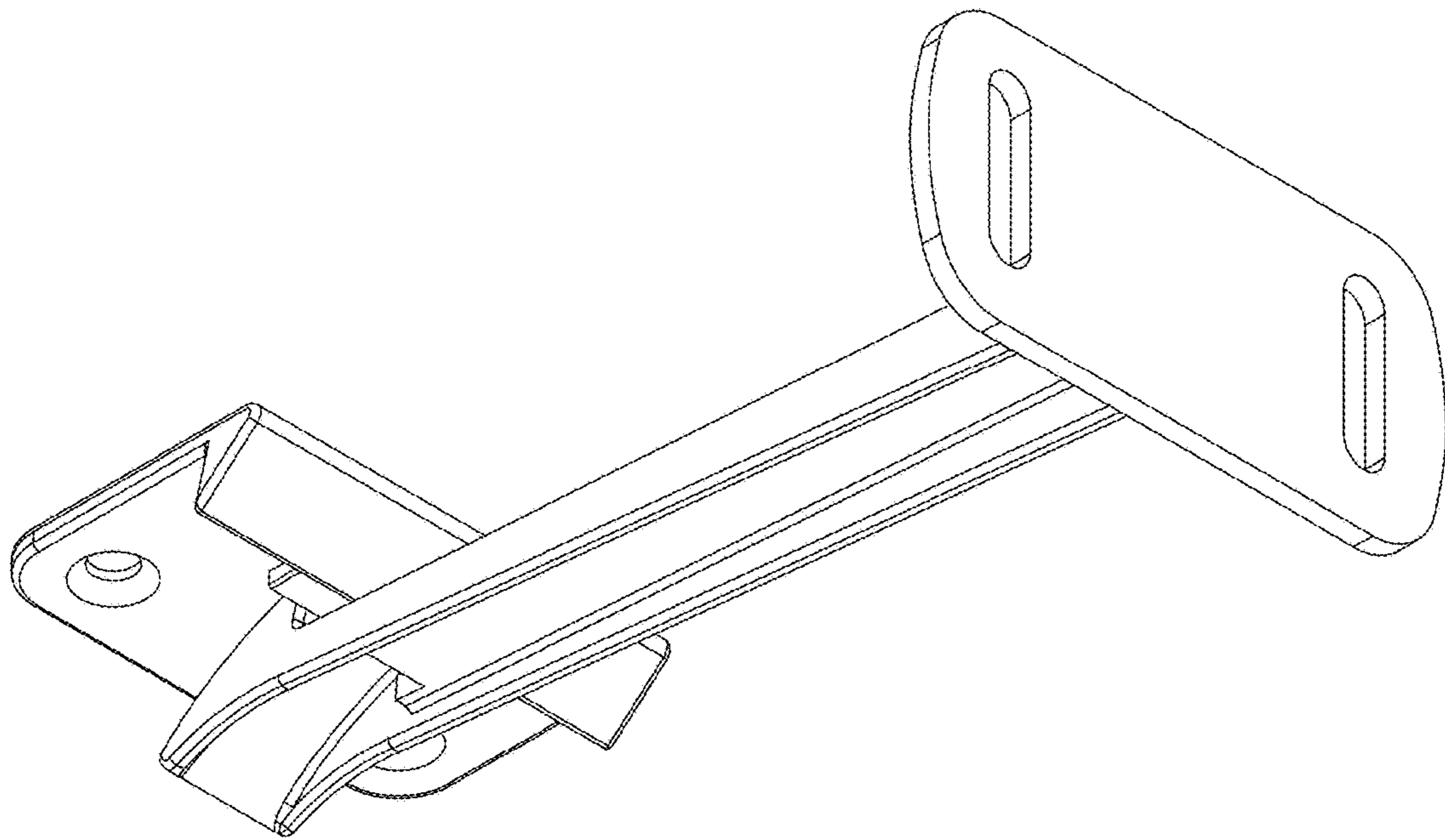


FIG. 3

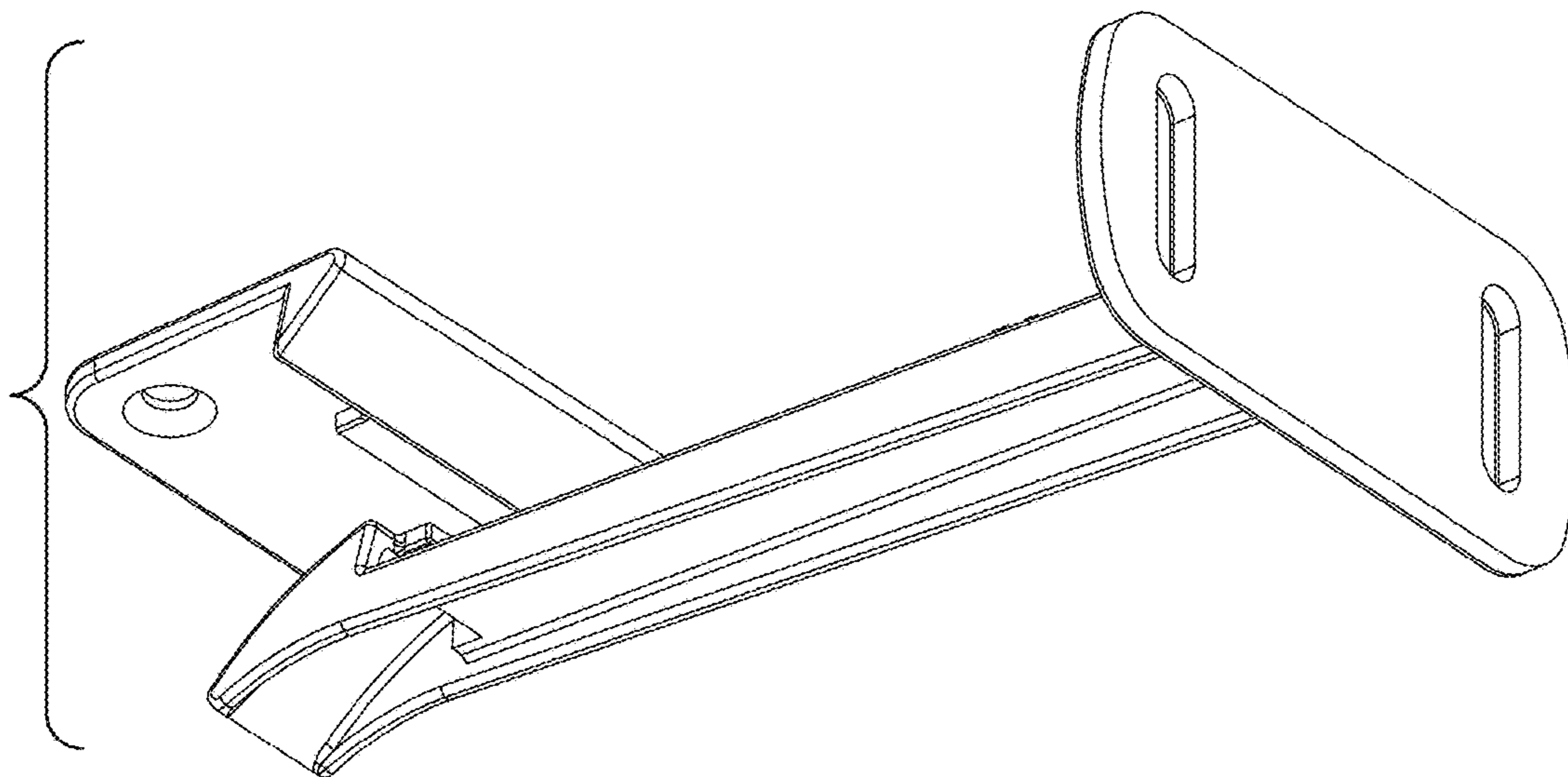


FIG. 4

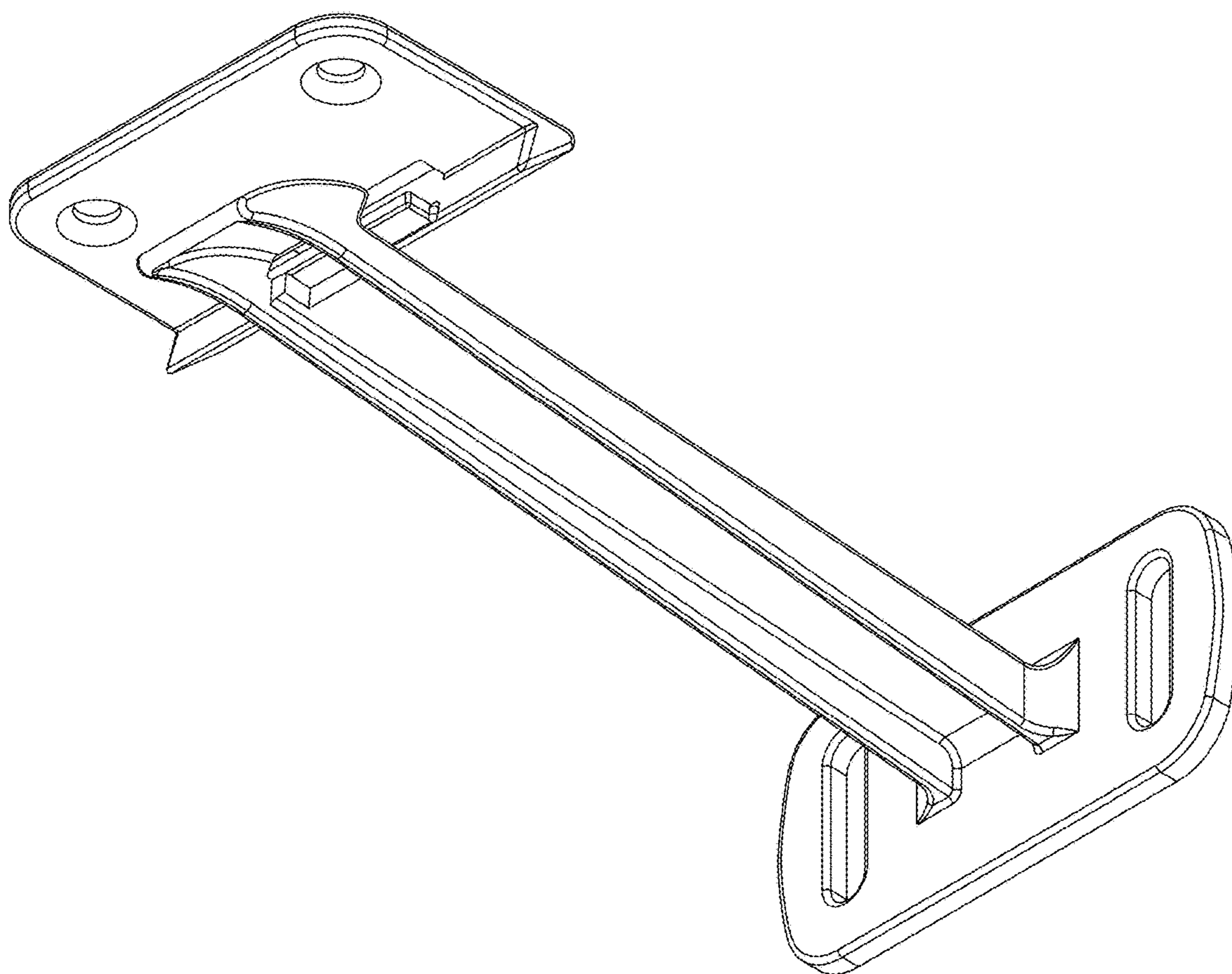


FIG. 5

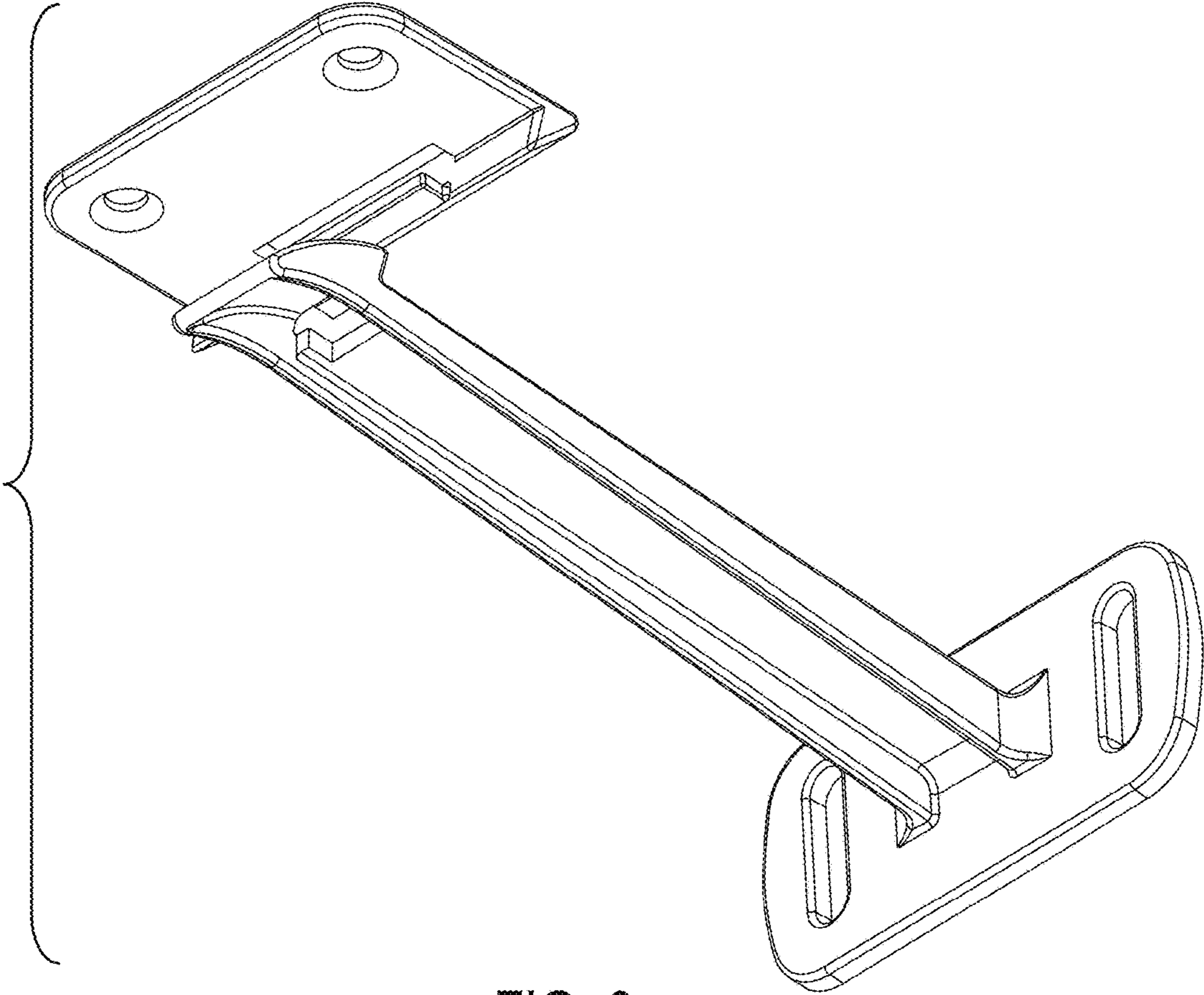


FIG. 6

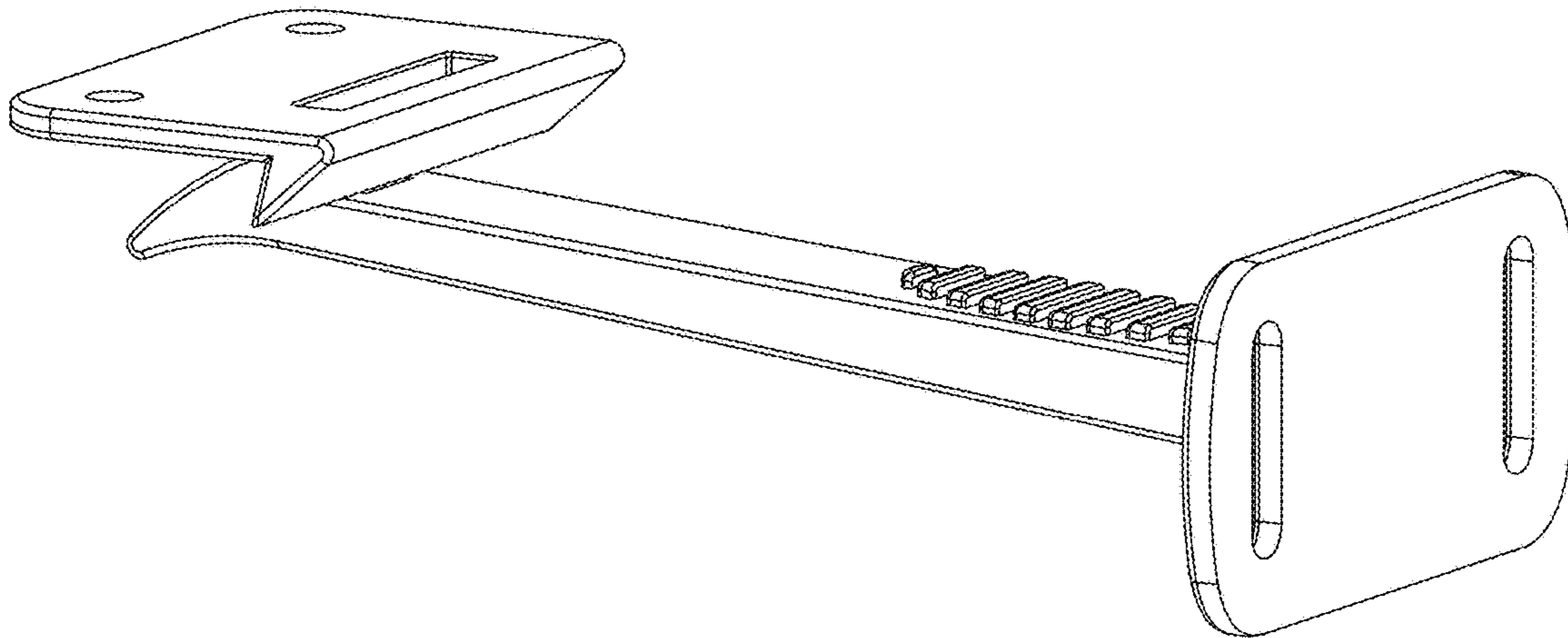


FIG. 7

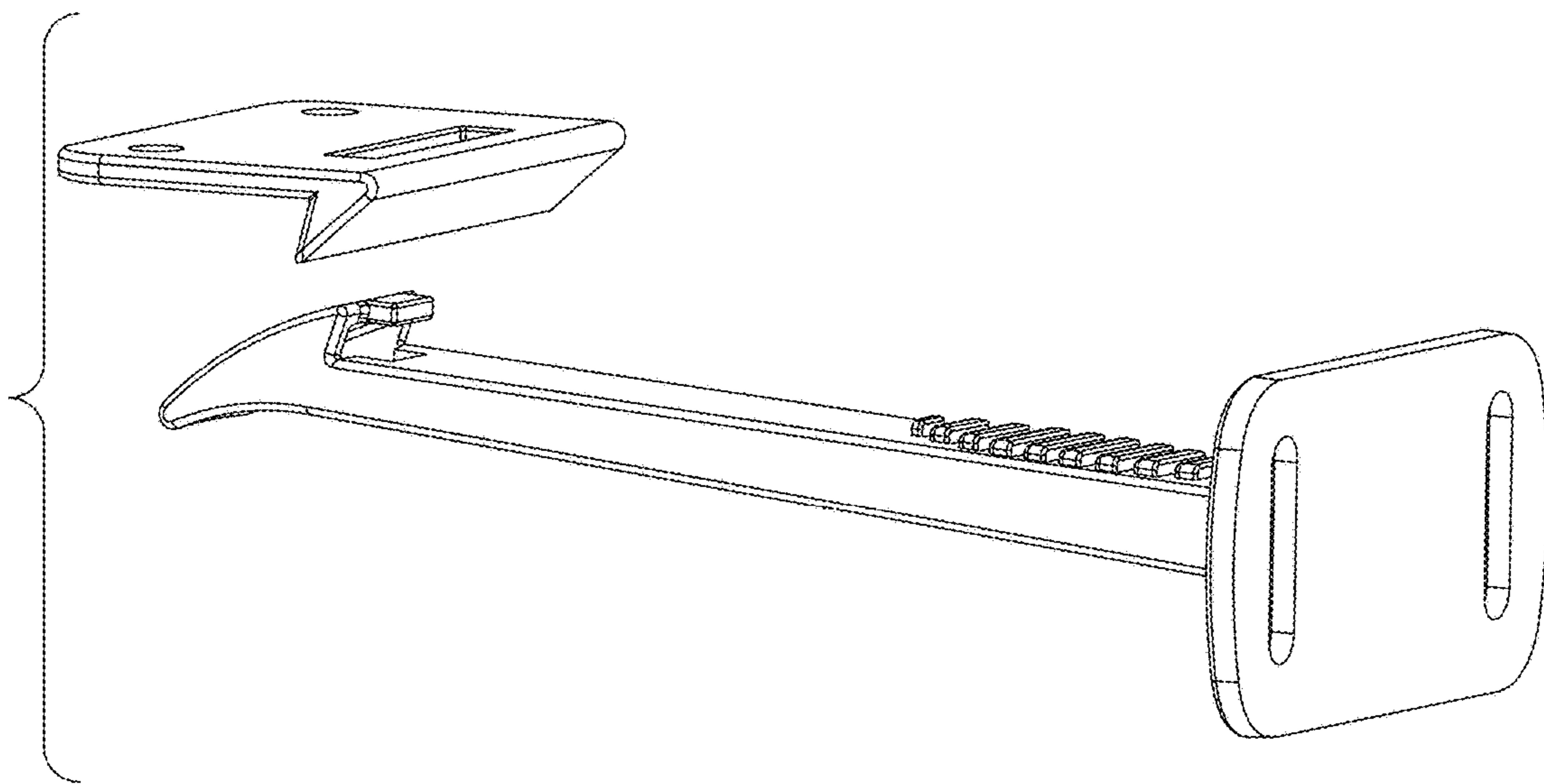


FIG. 8

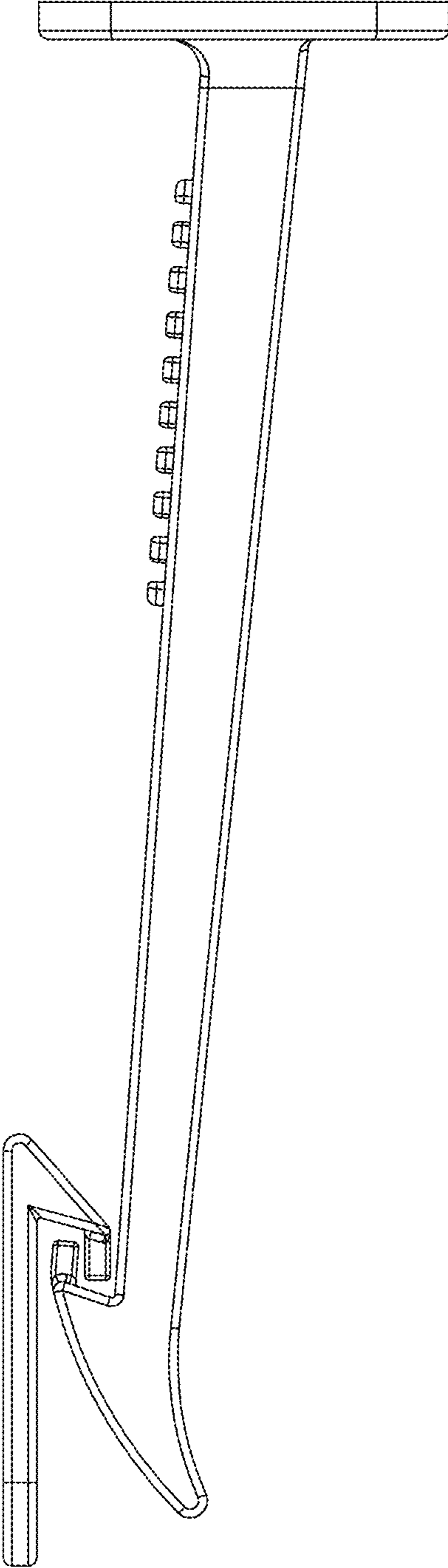


FIG. 9

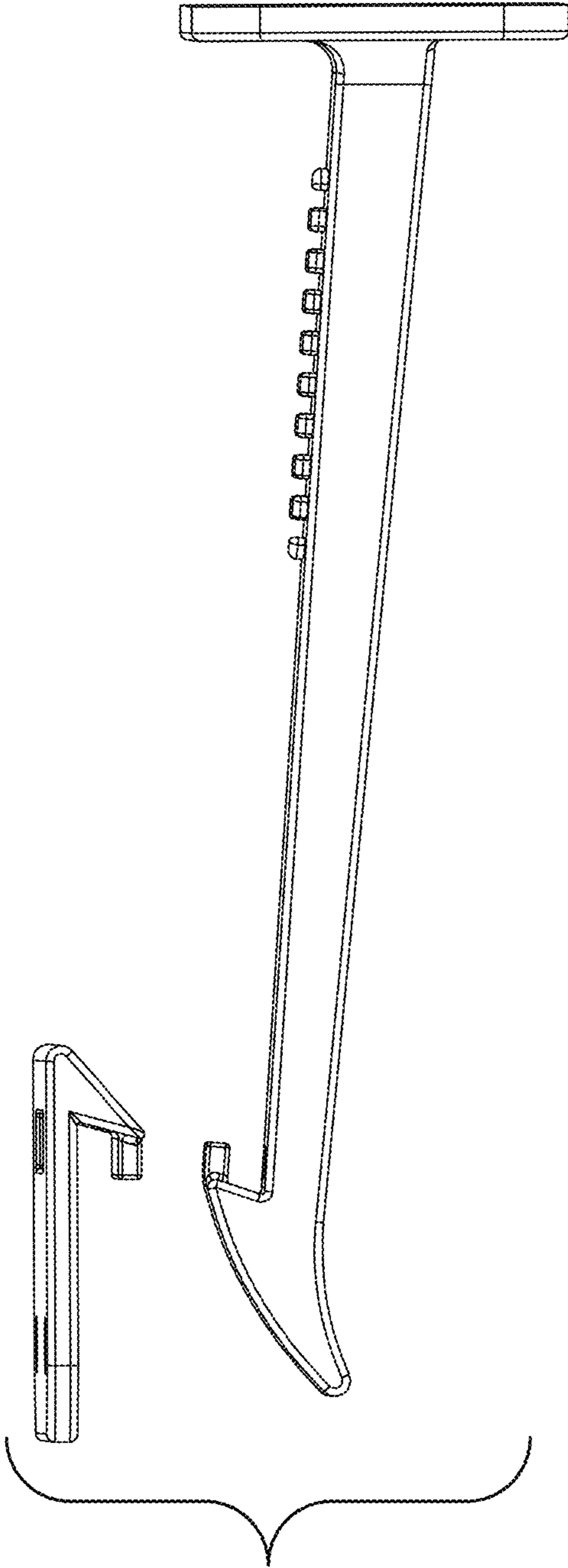


FIG. 10

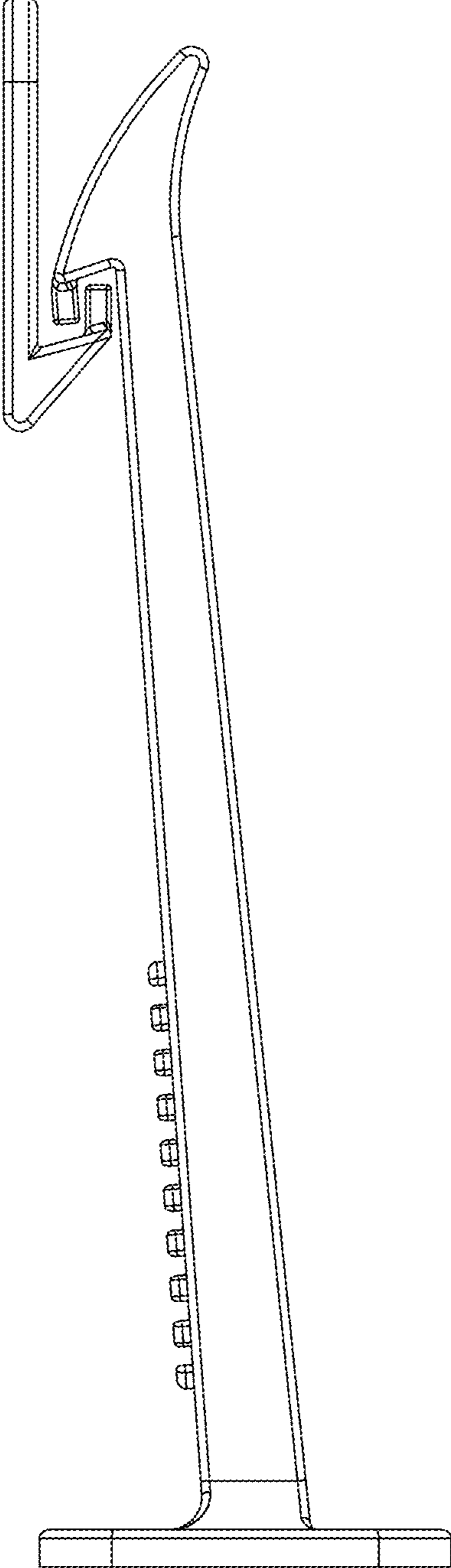


FIG. 11

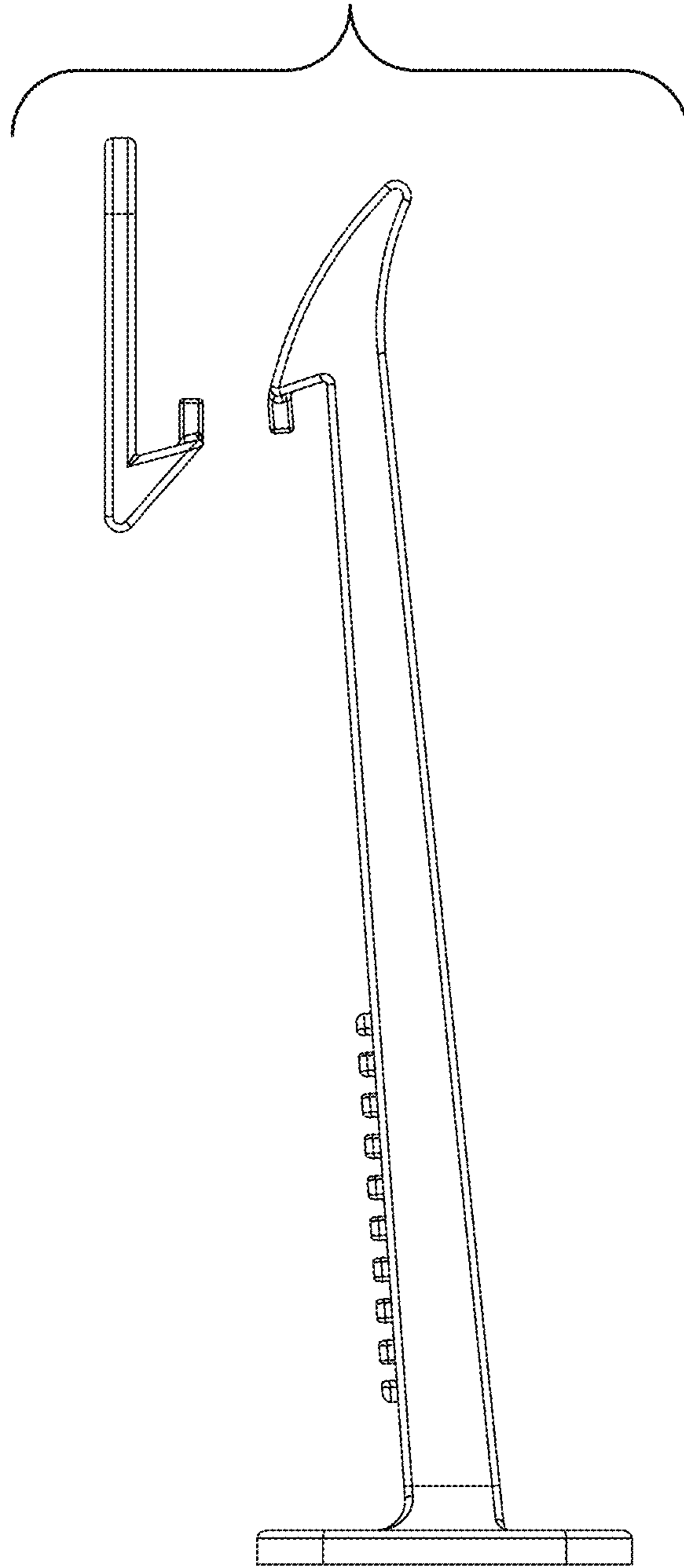


FIG. 12

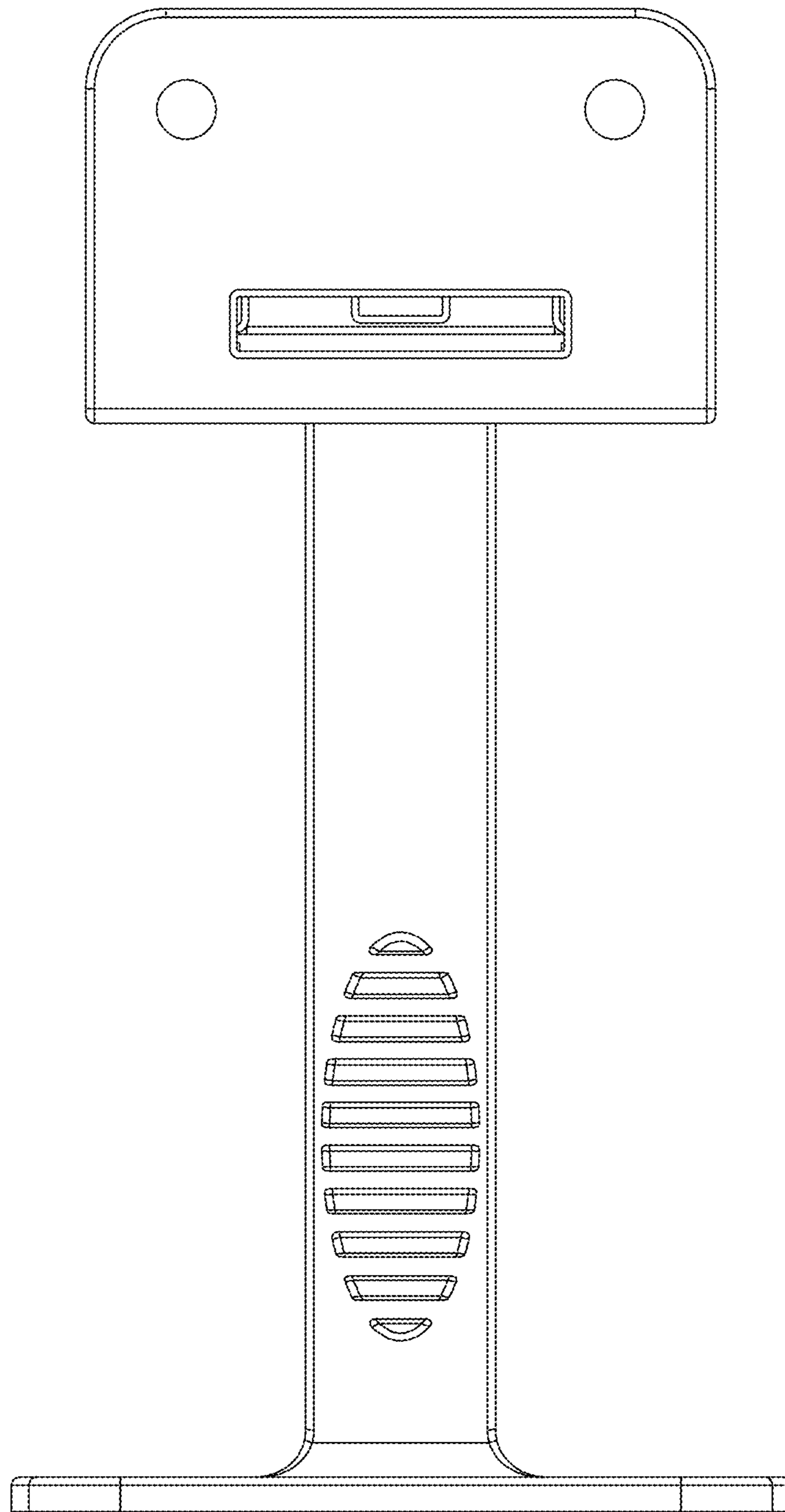


FIG. 13

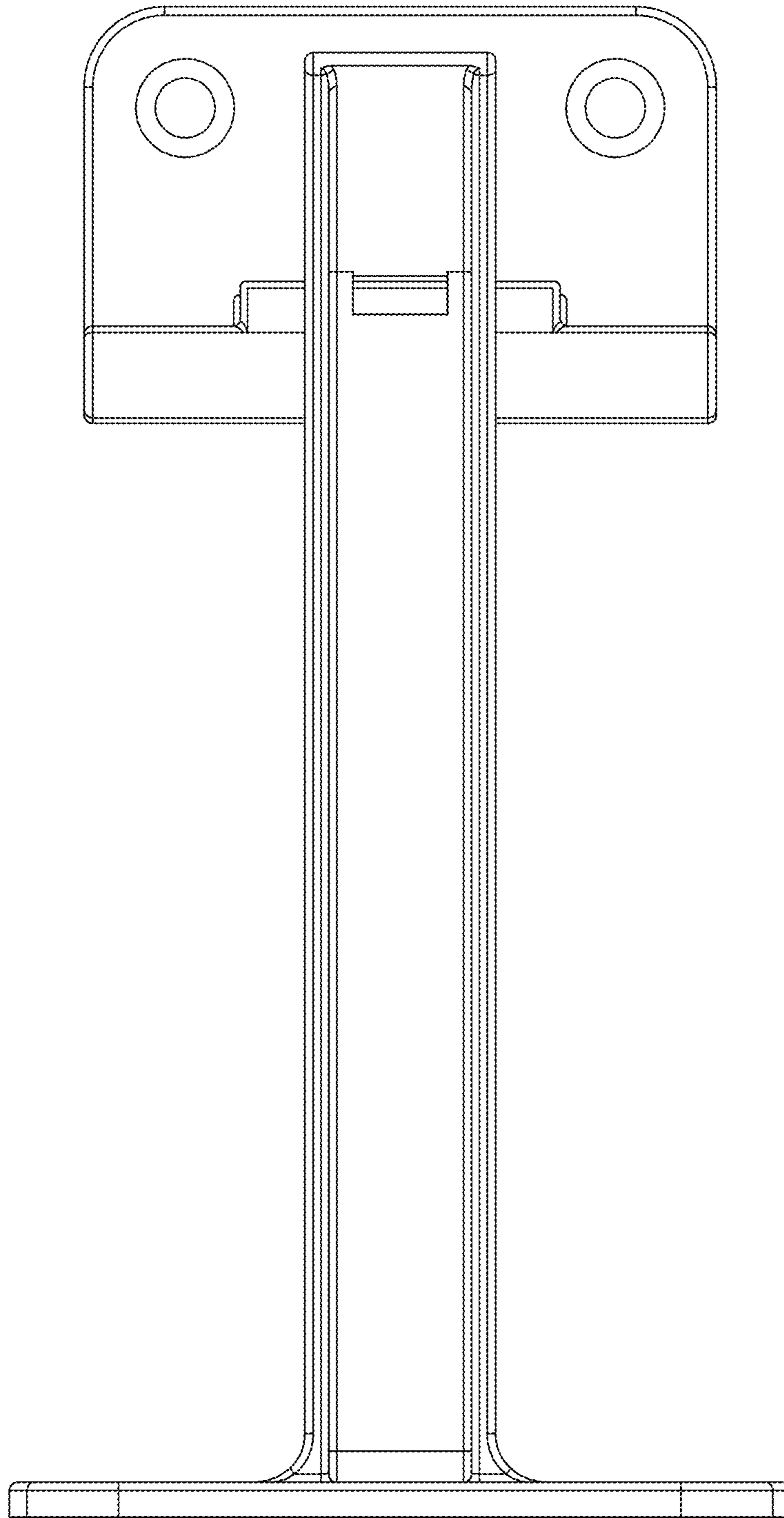


FIG. 14

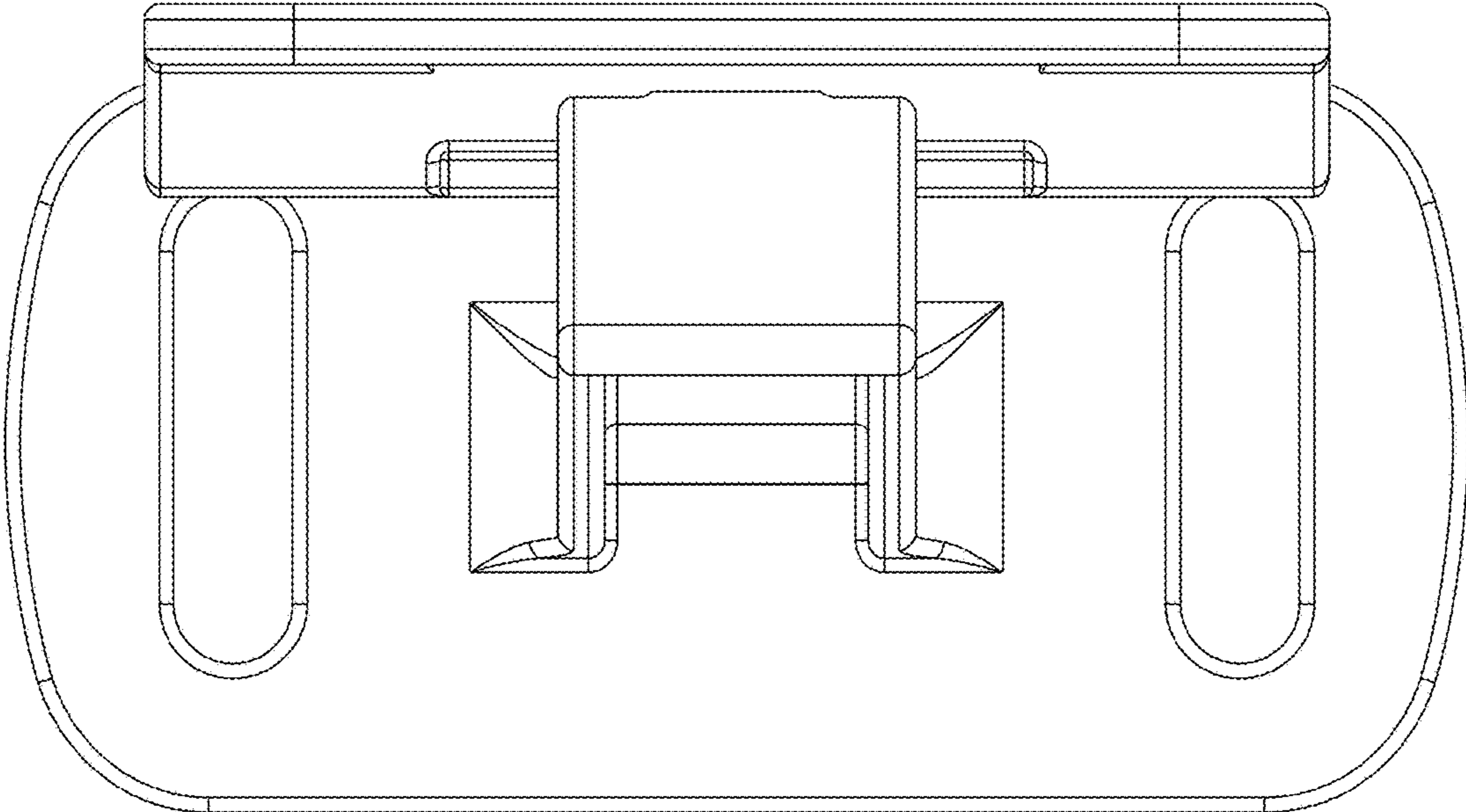


FIG. 15

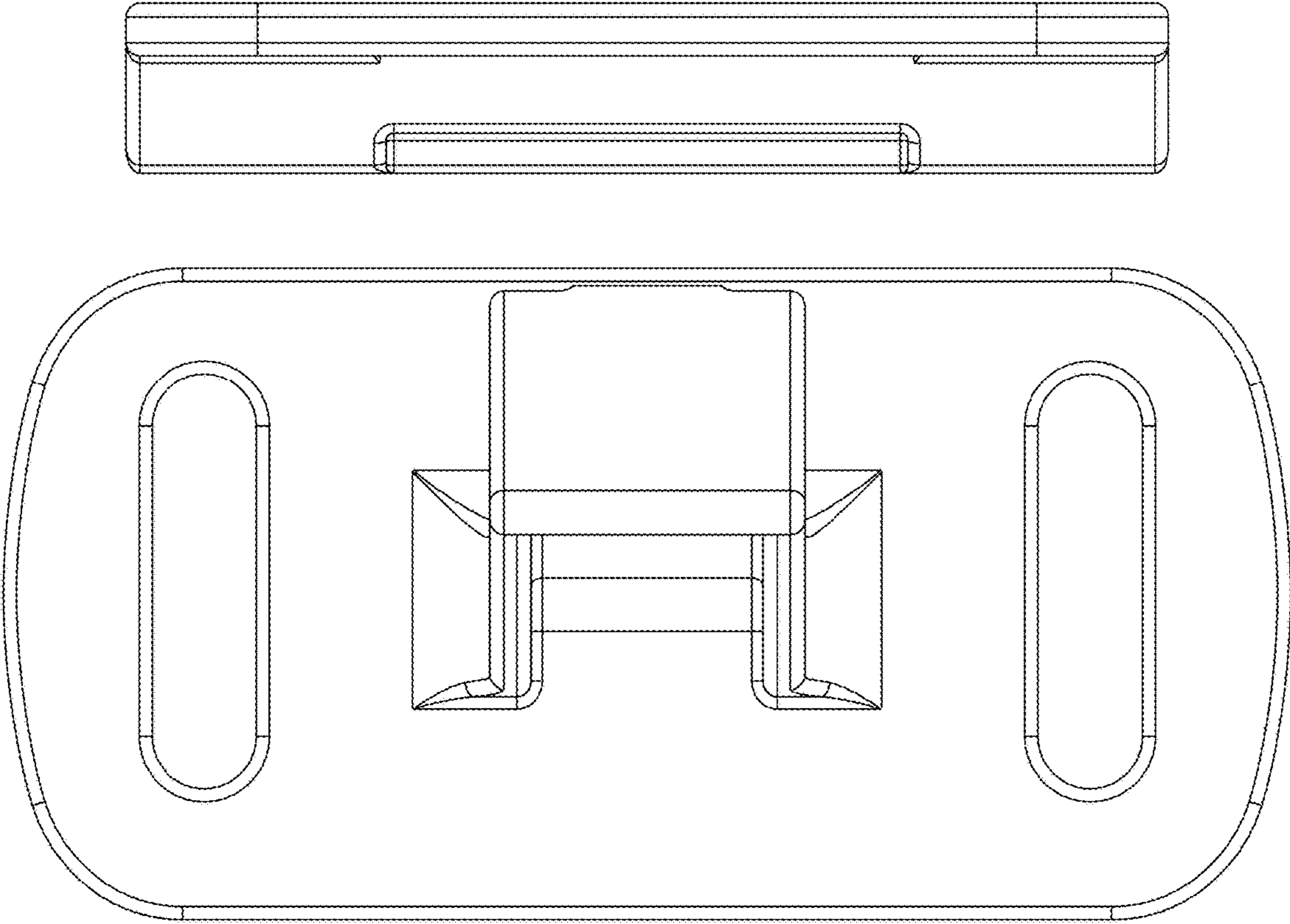


FIG. 16

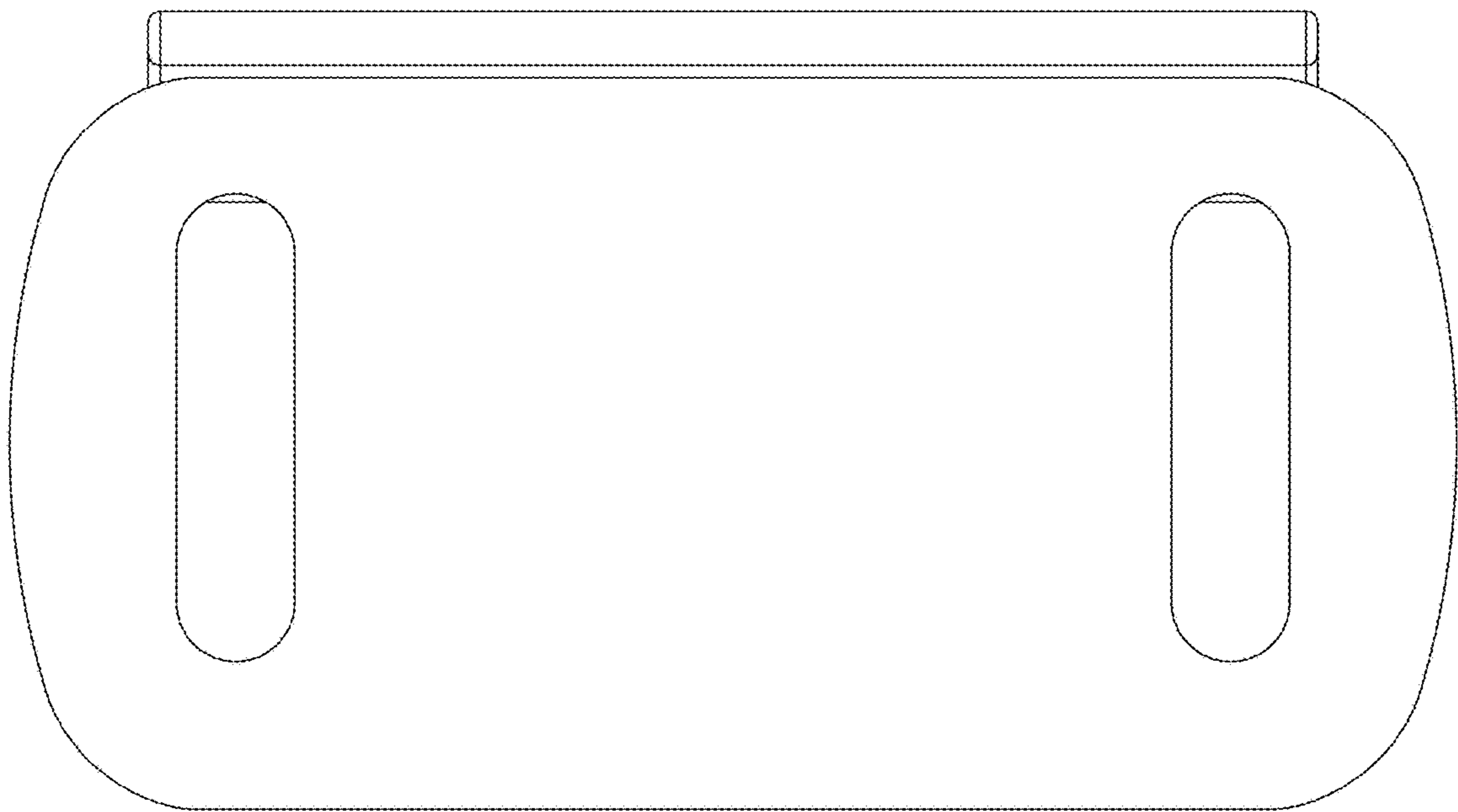


FIG. 17

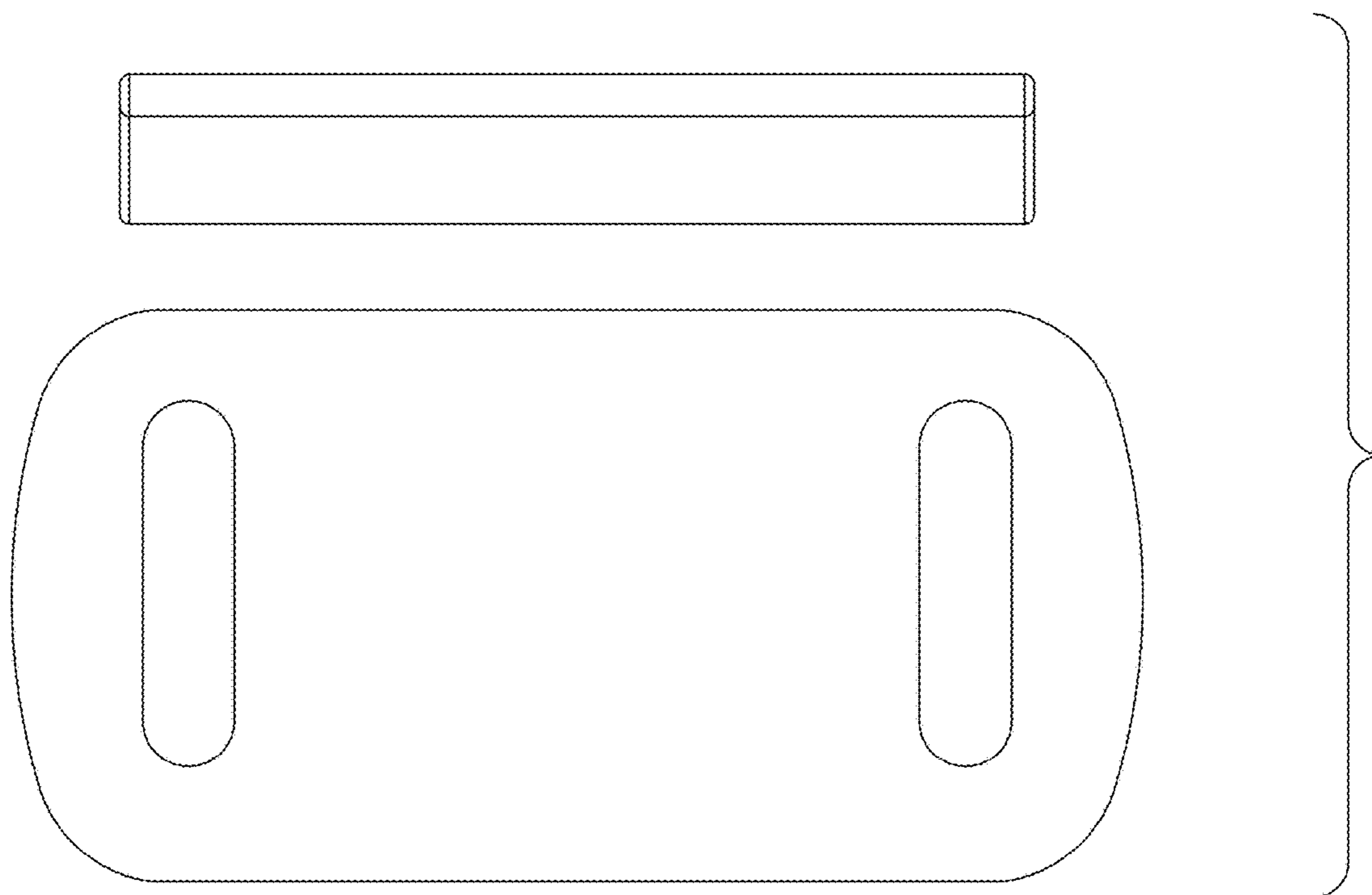


FIG. 18