



US00D775507S

(12) **United States Design Patent** (10) **Patent No.:** **US D775,507 S**
Taylor (45) **Date of Patent:** **** Jan. 3, 2017**

(54) **CLAMP WITH PIVOTING FLAG FOR TABLES**

(71) Applicant: **Serverflags, LLC**, Melbourne, FL (US)
(72) Inventor: **Joshua R. Taylor**, Melbourne, FL (US)
(73) Assignee: **Serverflags, LLC**, Melbourne, FL (US)

(**) Term: **14 Years**

(21) Appl. No.: **29/516,317**

(22) Filed: **Jan. 30, 2015**

(51) **LOC (10) Cl.** **08-05**

(52) **U.S. Cl.**
USPC **D8/72**

(58) **Field of Classification Search**

USPC D8/71-74, 394-399, 59; 248/63, 72,
248/74.1, 689, 124.2, 227.2; 81/487, 385,
81/386, 388-390; 269/3, 4, 6, 143, 165,
269/240, 243, 246-249, 254 R, 147-149;
29/256, 257, 276; 408/103, 104-109
(Continued)

(56) **References Cited**

U.S. PATENT DOCUMENTS

D391,185 S 10/1888 Parker
D937,264 10/1909 Philbrick
(Continued)

FOREIGN PATENT DOCUMENTS

CA 2654520 12/2006

OTHER PUBLICATIONS

Hampshire Flag Company, retrieved from <http://www.tableflags.co.uk/NationalTableFlags.htm>, 2009, 1 page.

(Continued)

Primary Examiner — David Muller

(74) *Attorney, Agent, or Firm* — Brian S. Steinberger;
Law Offices of Brian S. Steinberger, P.A.

(57) **CLAIM**

The ornamental design for a clamp with pivoting flag for tables, as shown and described.

DESCRIPTION

FIG. 1 is a front view of the clamp with pivoting flag in a closed position.

FIG. 2 is a rear view of the clamp with pivoting flag of FIG. 1.

FIG. 3 is a top view of the clamp with pivoting flag of FIG. 1.

FIG. 4 is a bottom view of the clamp with pivoting flag of FIG. 1.

FIG. 5 is a left side view of the clamp with pivoting flag of FIG. 1.

FIG. 6 is a right side view of the clamp with pivoting flag of FIG. 1.

FIG. 7 is an upper left front perspective view of the clamp with pivoting flag of FIG. 1.

FIG. 8 is an upper right rear perspective view of the clamp with pivoting flag of FIG. 1.

FIG. 9 is a lower right front perspective view of the clamp with pivoting flag of FIG. 1.

FIG. 10 is a lower left rear perspective view of the clamp with pivoting flag of FIG. 1.

FIG. 11 is a front view of the clamp with pivoting flag of FIG. 1 in an open position.

FIG. 12 is a rear view of the clamp with pivoting flag of FIG. 11.

FIG. 13 is a top view of the clamp with pivoting flag of FIG. 11.

FIG. 14 is a bottom view of the clamp with pivoting flag of FIG. 11.

FIG. 15 is a left side view of the clamp with pivoting flag of FIG. 11.

FIG. 16 is a right side view of the clamp with pivoting flag of FIG. 11.

FIG. 17 is an upper left front perspective view of the clamp with pivoting flag of FIG. 11.

(Continued)

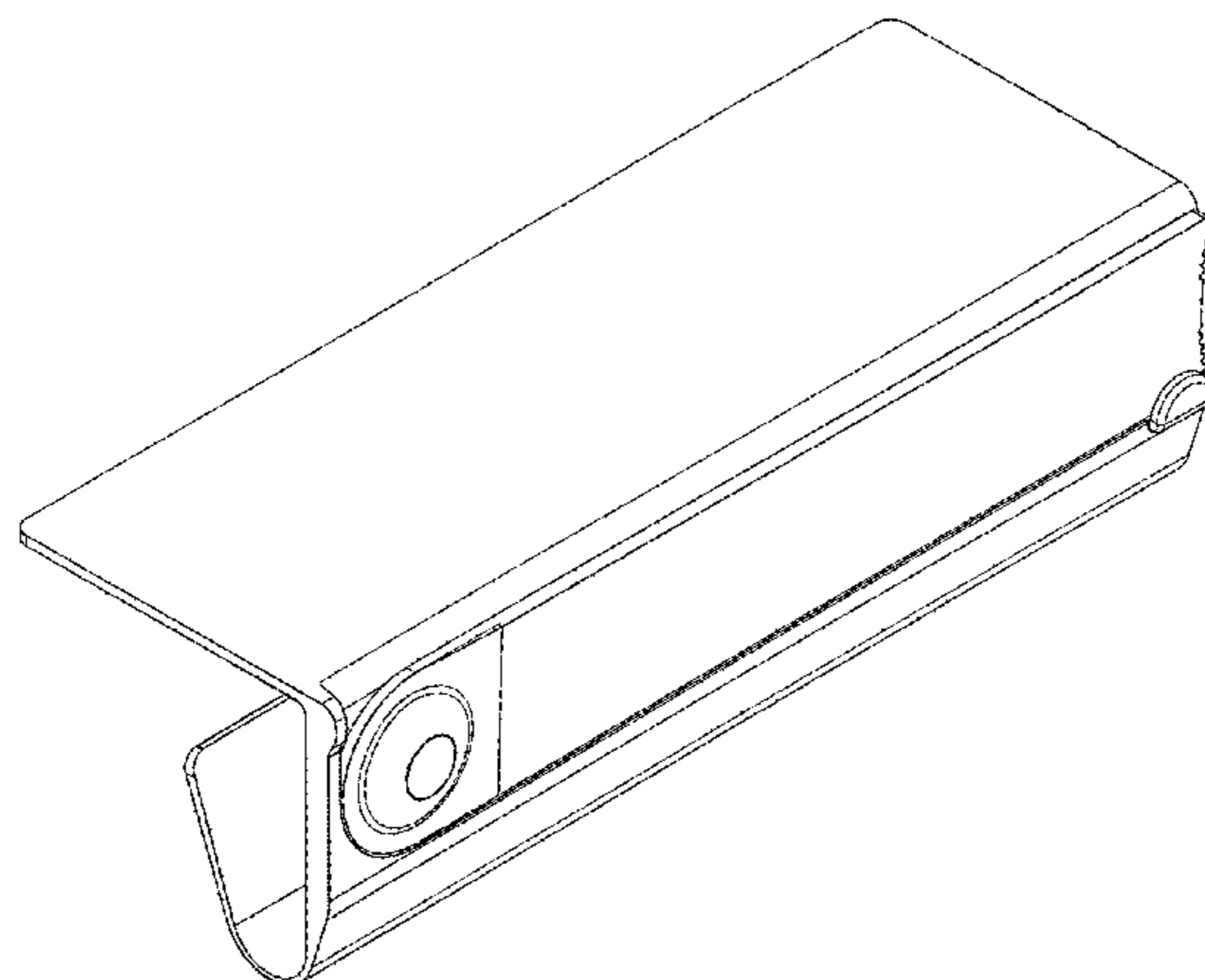


FIG. 18 is an upper right rear perspective view of the clamp with pivoting flag of FIG. 11.

FIG. 19 is a lower right front perspective view of the clamp with pivoting flag of FIG. 11; and,

FIG. 20 is a lower left rear perspective view of the clamp with pivoting flag of FIG. 11.

1 Claim, 18 Drawing Sheets

(58) **Field of Classification Search**

CPC B25B 1/00; B25B 5/00
See application file for complete search history.

(56) **References Cited**

U.S. PATENT DOCUMENTS

1,410,402	A	3/1922	Gray
1,552,729	A	9/1925	Pipp
1,704,562	A	3/1929	Egan
2,553,266	A	5/1951	Myers
2,579,686	A	12/1951	Mallory
3,109,634	A	11/1963	Anson
3,810,164	A	5/1974	Lambert
4,563,381	A	1/1986	Woodland
4,728,069	A	3/1988	Semcer
4,794,877	A	1/1989	Pollard-Smith
5,260,914	A	11/1993	Roberts
5,355,115	A	10/1994	Goor
5,463,974	A	11/1995	Seeder
5,489,887	A	2/1996	Porras
5,504,976	A	4/1996	Reeves
5,524,856	A	6/1996	Neely
5,594,409	A	1/1997	Shank

6,014,942	A	1/2000	Perka	
6,299,111	B1 *	10/2001	Brothers H02G 11/00 248/473
6,366,196	B1	4/2002	Green	
D486,385	S *	2/2004	Smith-Kielland 248/681
7,036,778	B2	5/2006	Ferrell	
D557,296	S *	12/2007	Apodaca D15/133
7,318,293	B2	1/2008	Ardern, II	
7,353,736	B2 *	4/2008	Poehlmann B25F 1/04 30/161
D600,543	S *	9/2009	Coles D8/395
D603,781	S *	11/2009	Jimenez D12/223
D610,441	S *	2/2010	Jones D8/394
D638,287	S *	5/2011	Tedesco D8/380
8,074,325	B2	12/2011	Gerfast	
D670,159	S *	11/2012	Bitarchas D8/394
D670,160	S *	11/2012	Bitarchas D8/394
D672,264	S	12/2012	Ochoa	
D679,176	S *	4/2013	Tedesco D8/380
8,430,052	B2	4/2013	Nihra	
8,548,856	B2	10/2013	Maruszak	
D695,099	S *	12/2013	Maclellan D25/119
D736,610	S *	8/2015	Rey D8/394
2006/0279415	A1	12/2006	Solheim	
2007/0039542	A1	2/2007	Schrauwen	

OTHER PUBLICATIONS

Fripp Design, retrieved from <http://www.frippdesign.co.uk/problems-solved/table-flag/>, 2014, 1 page.
Pancho's Mexican Buffet retrieved from http://en.wikipedia.org/wiki/Pancho's_Mexican_Buffett, 2014, 3 pages.
At Your Service Flags, retrieved on Oct. 16, 2015, retrieved from <http://www.apdesignsdirect.com/>, 9 pages.

* cited by examiner

FIG. 1

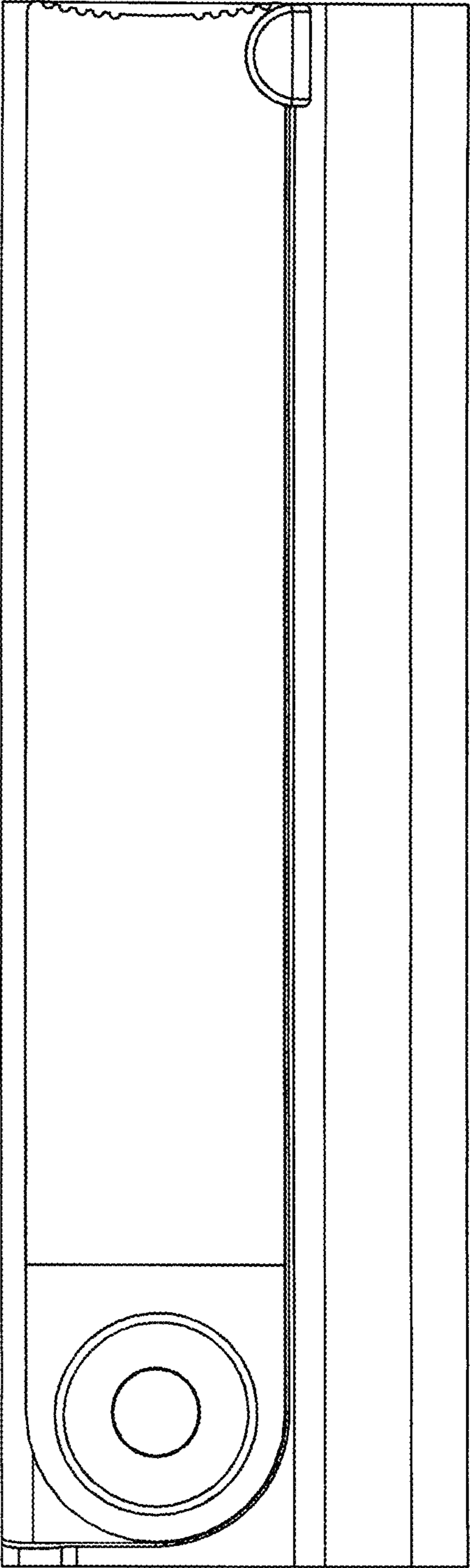


FIG. 2

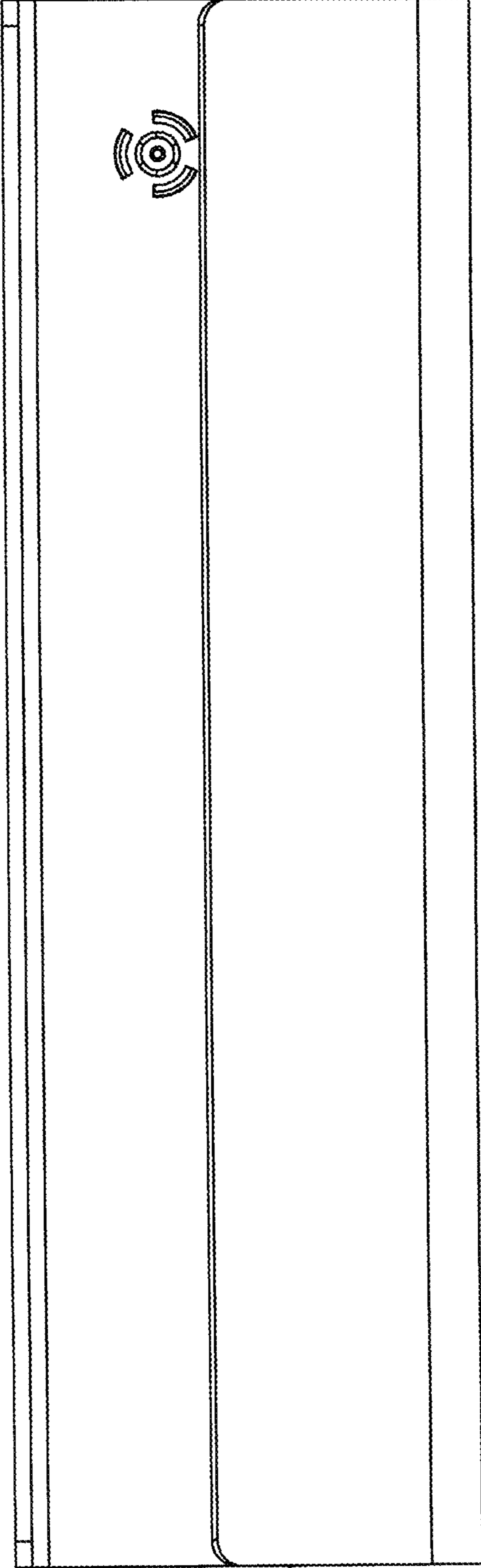


FIG. 3

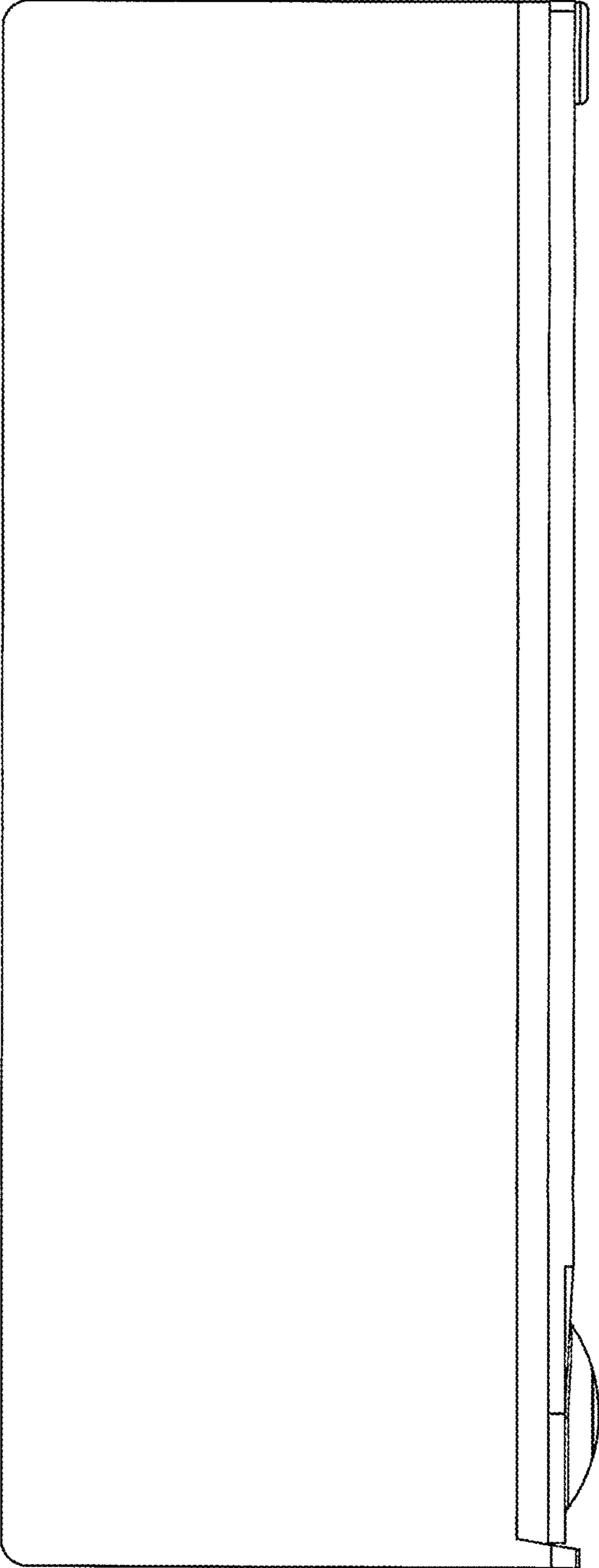


FIG. 4

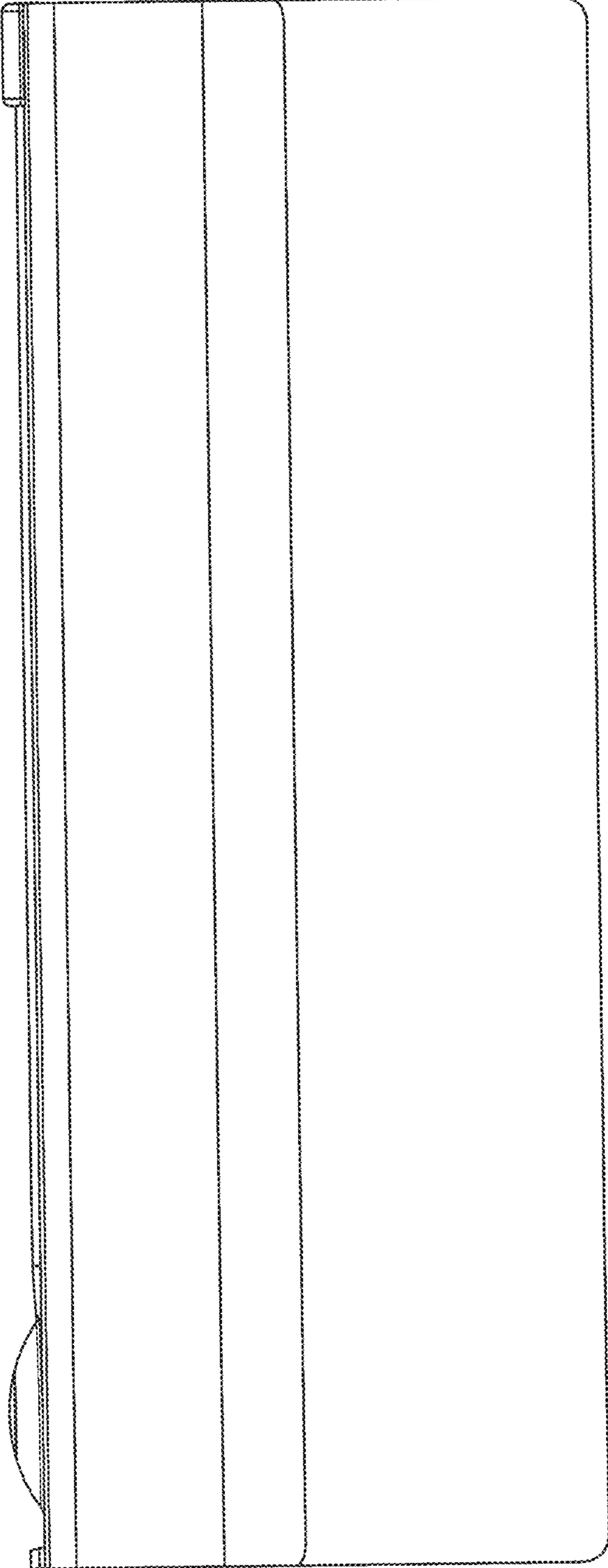


FIG. 6

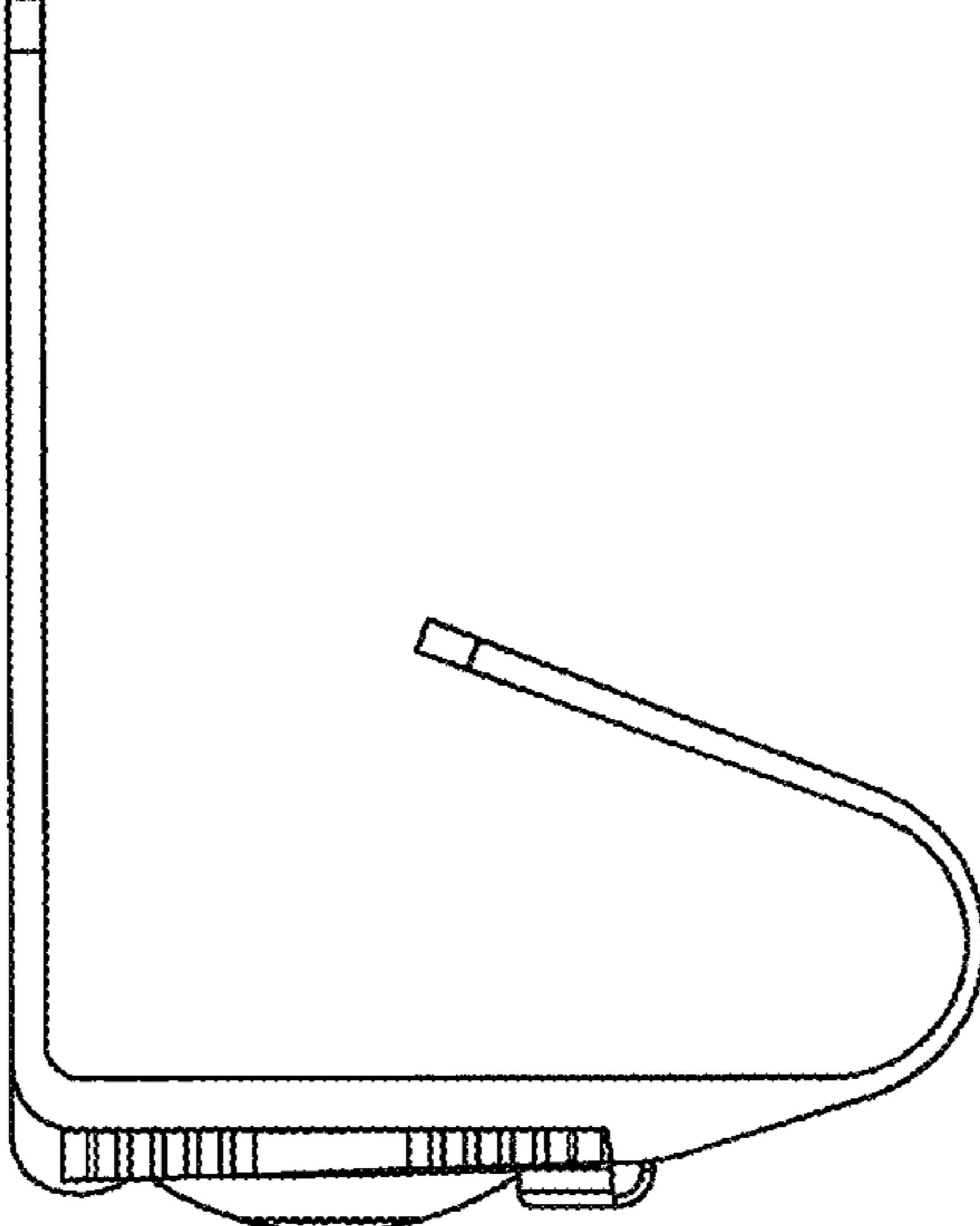
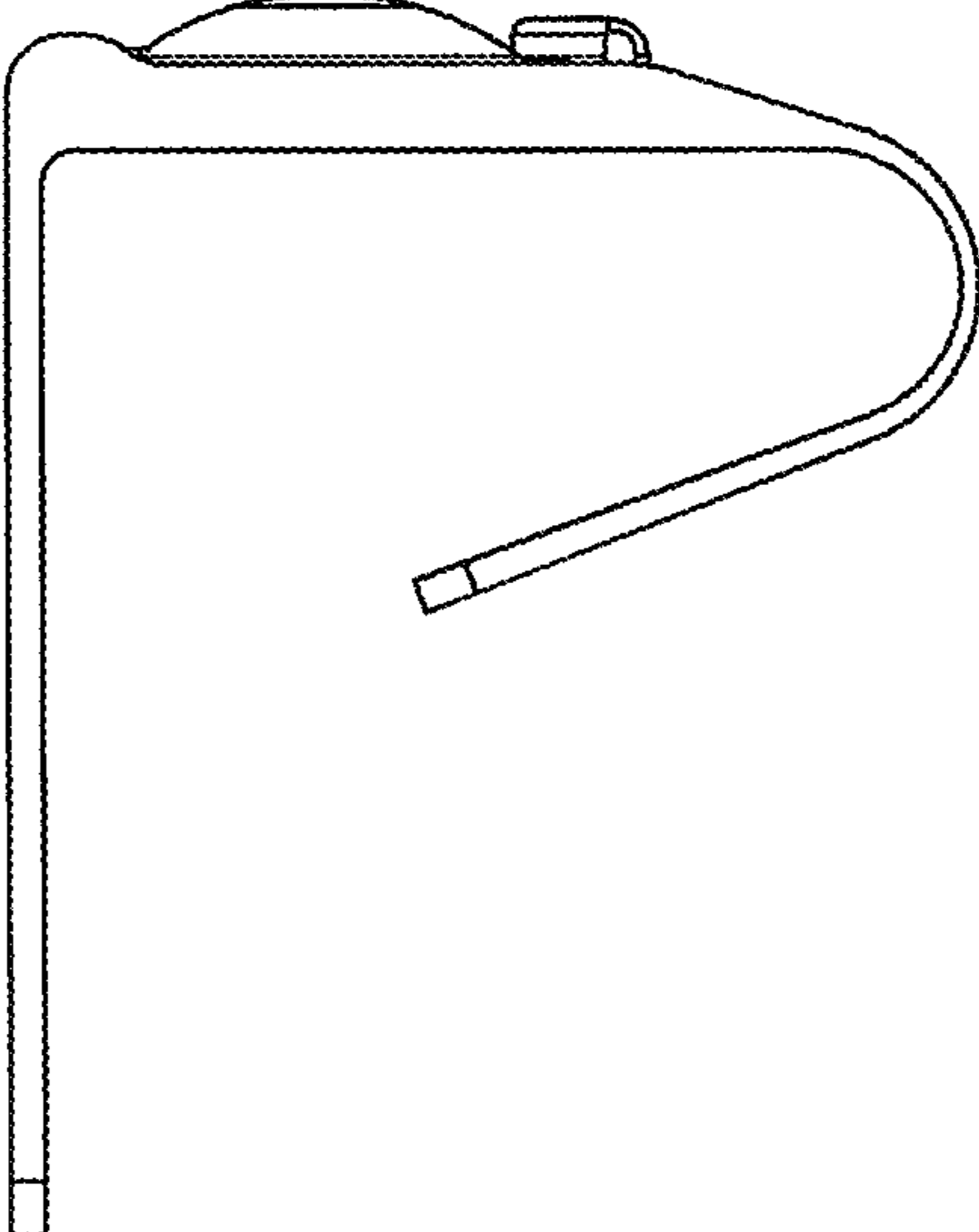


FIG. 5



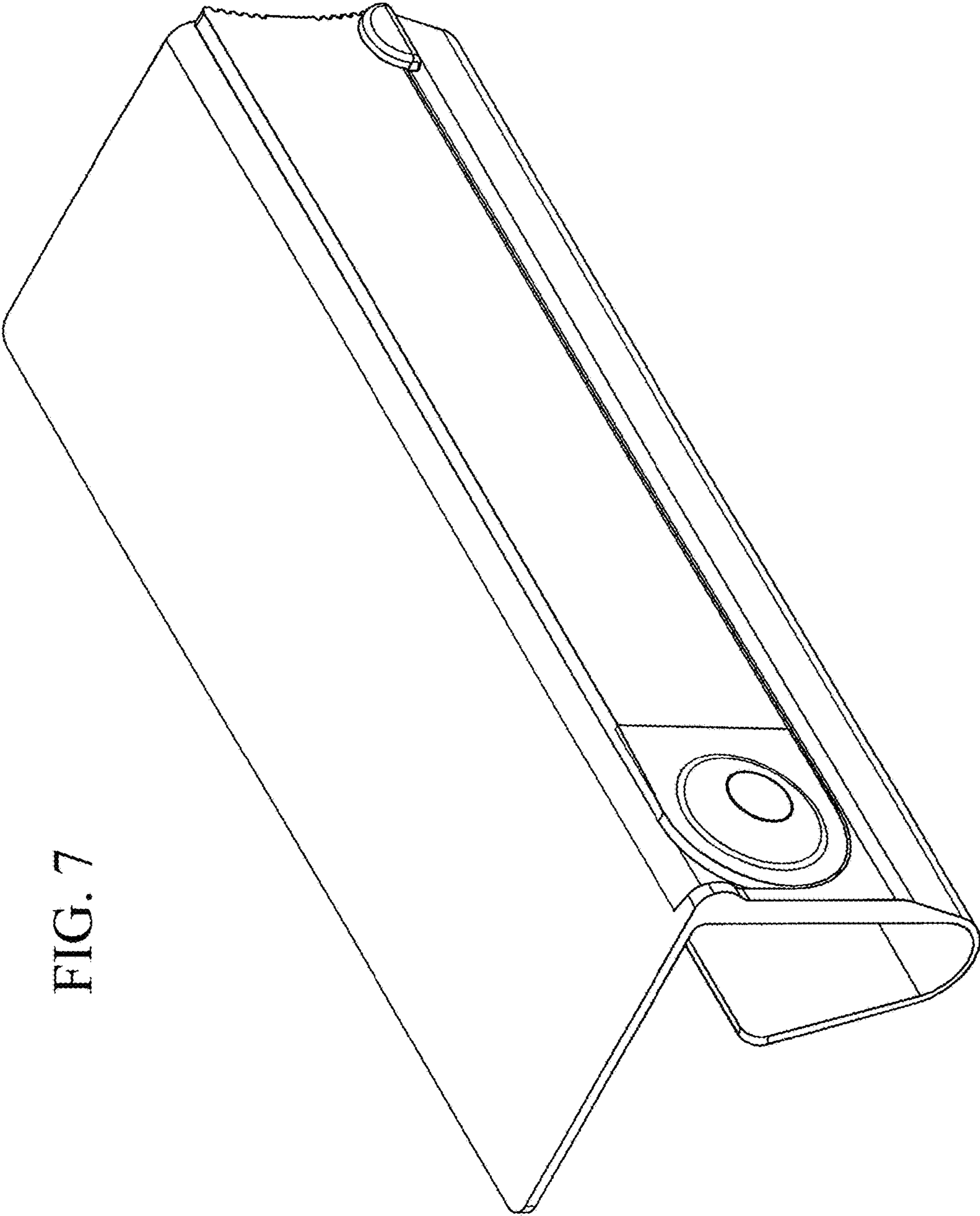


FIG. 7

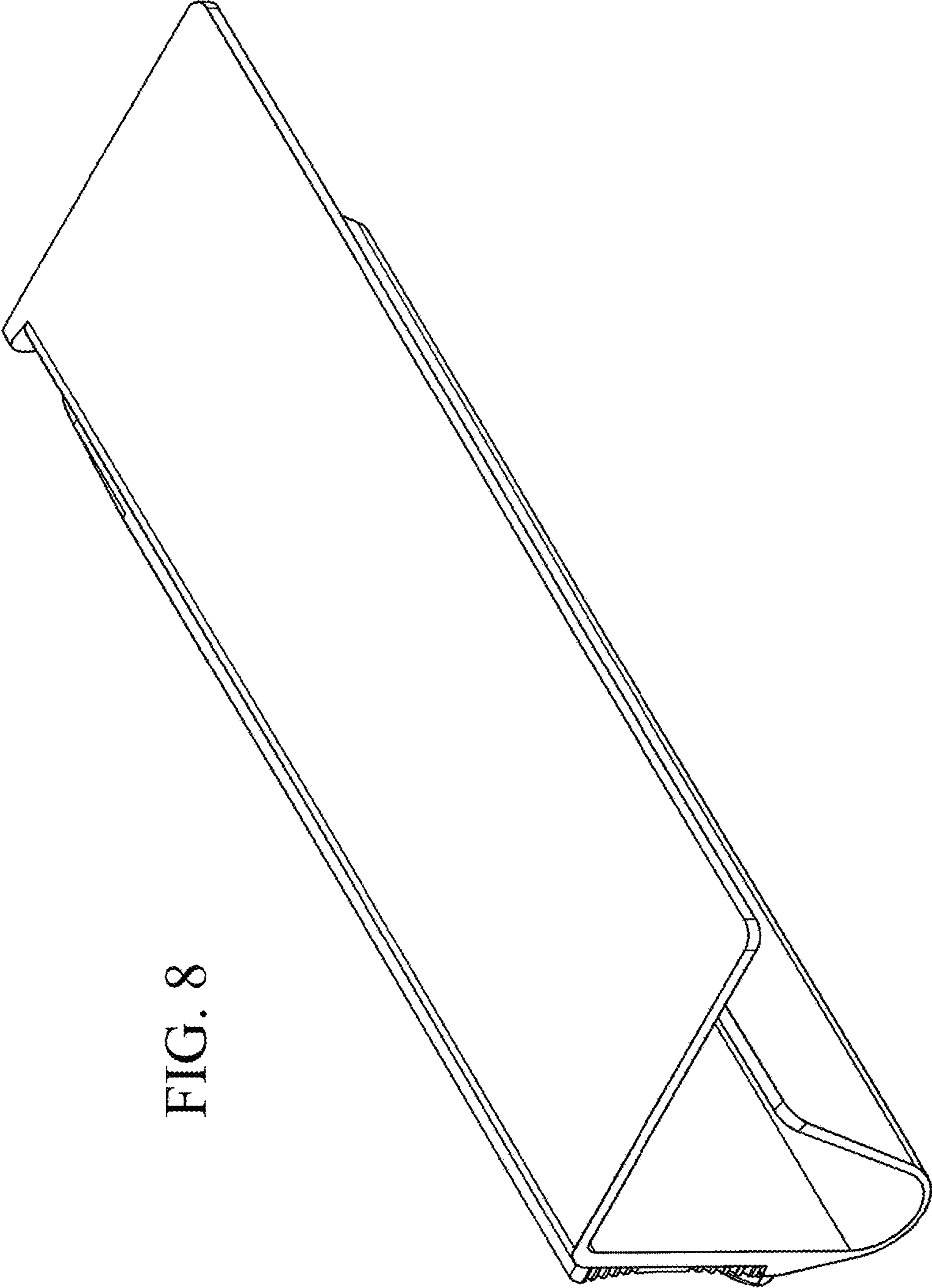


FIG. 8

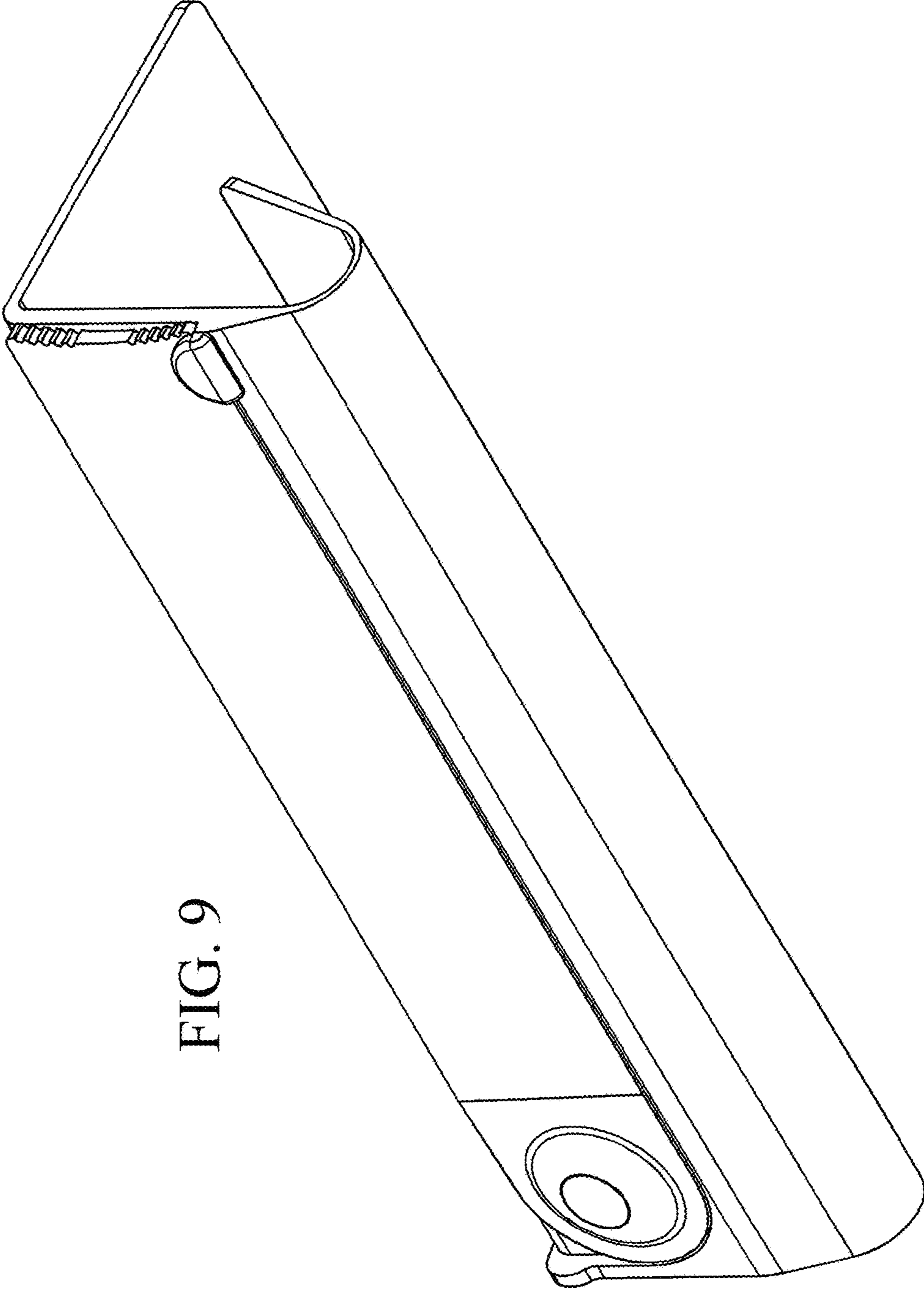


FIG. 9

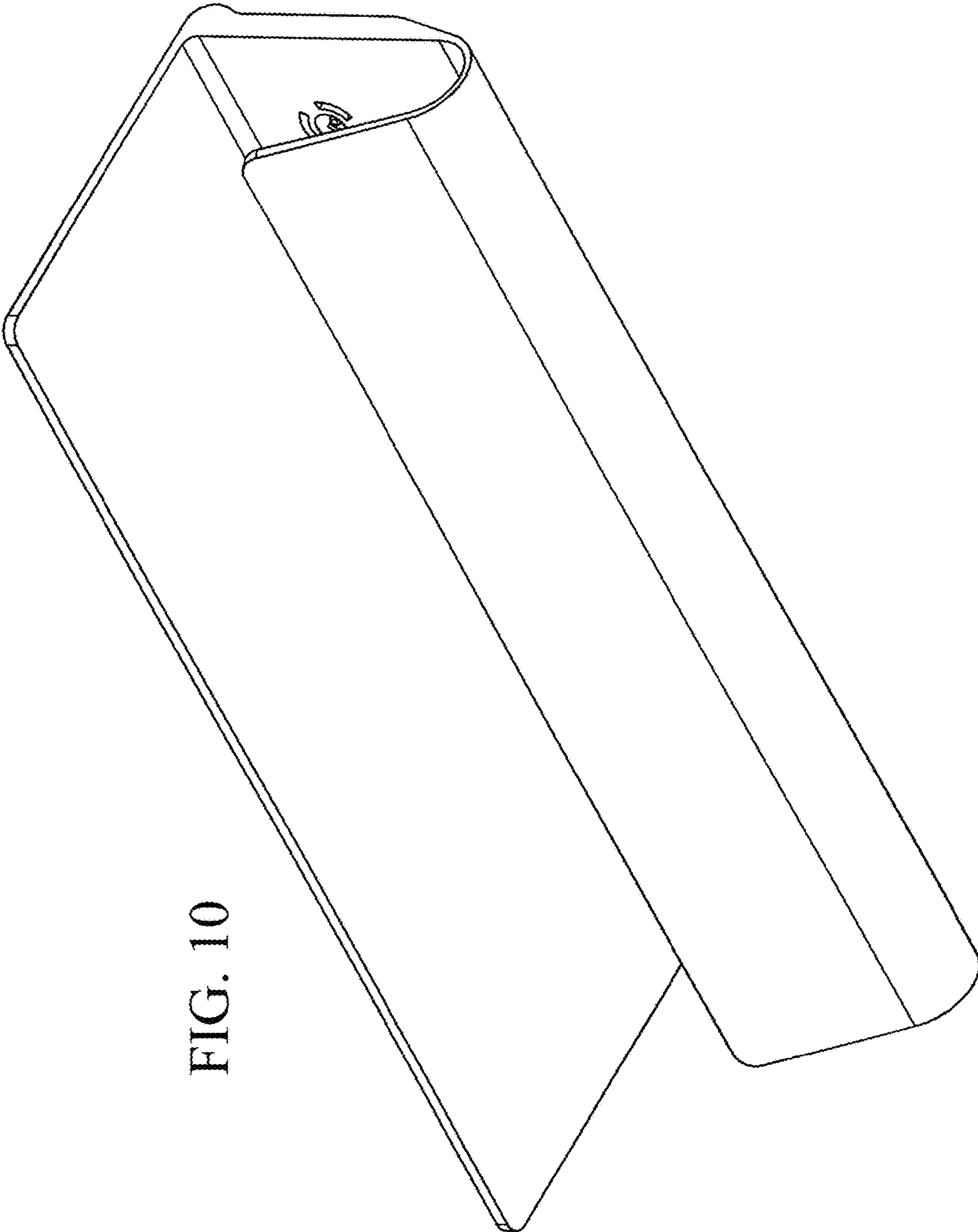


FIG. 10

FIG. 11

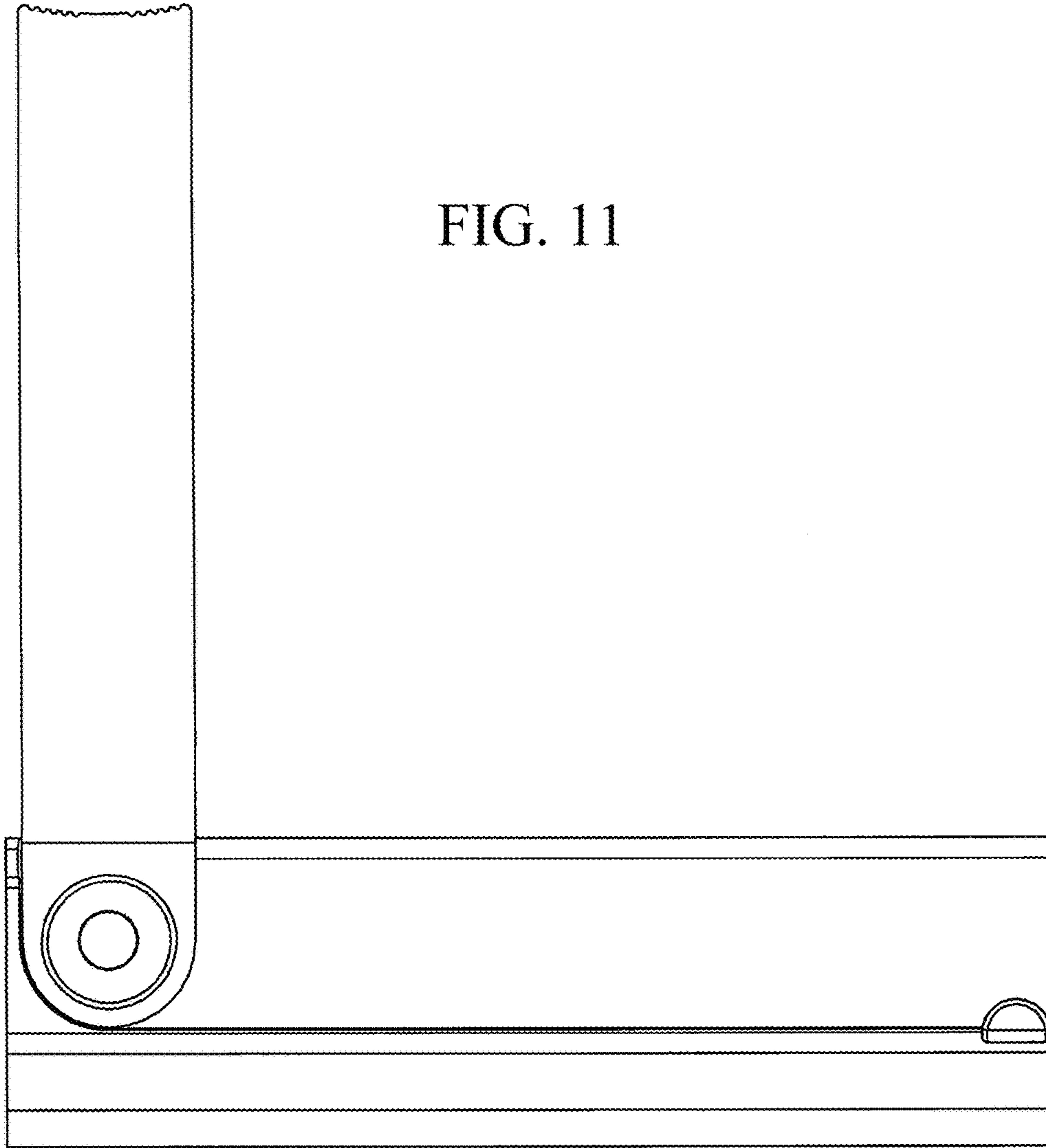


FIG. 12

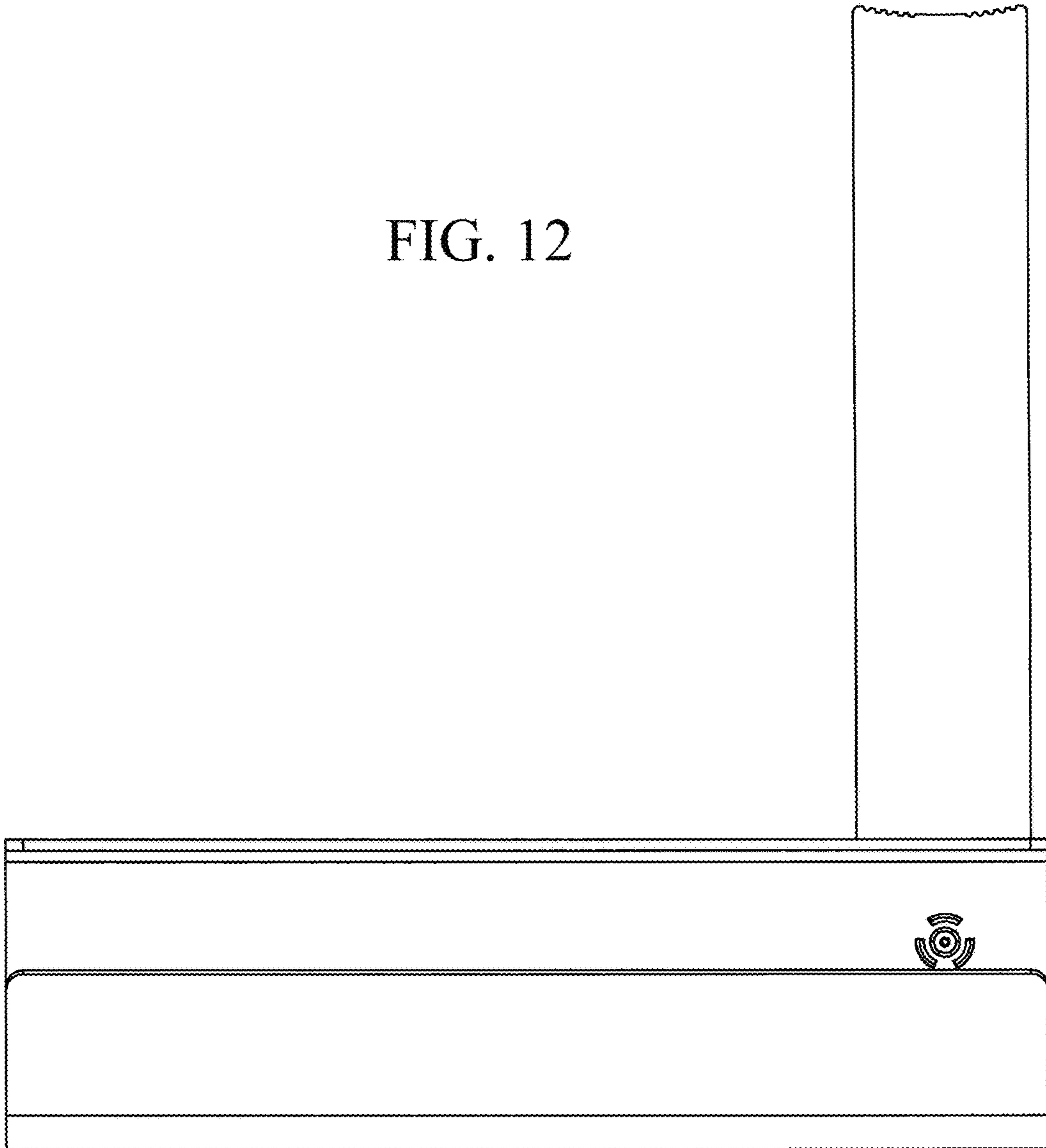


FIG. 13

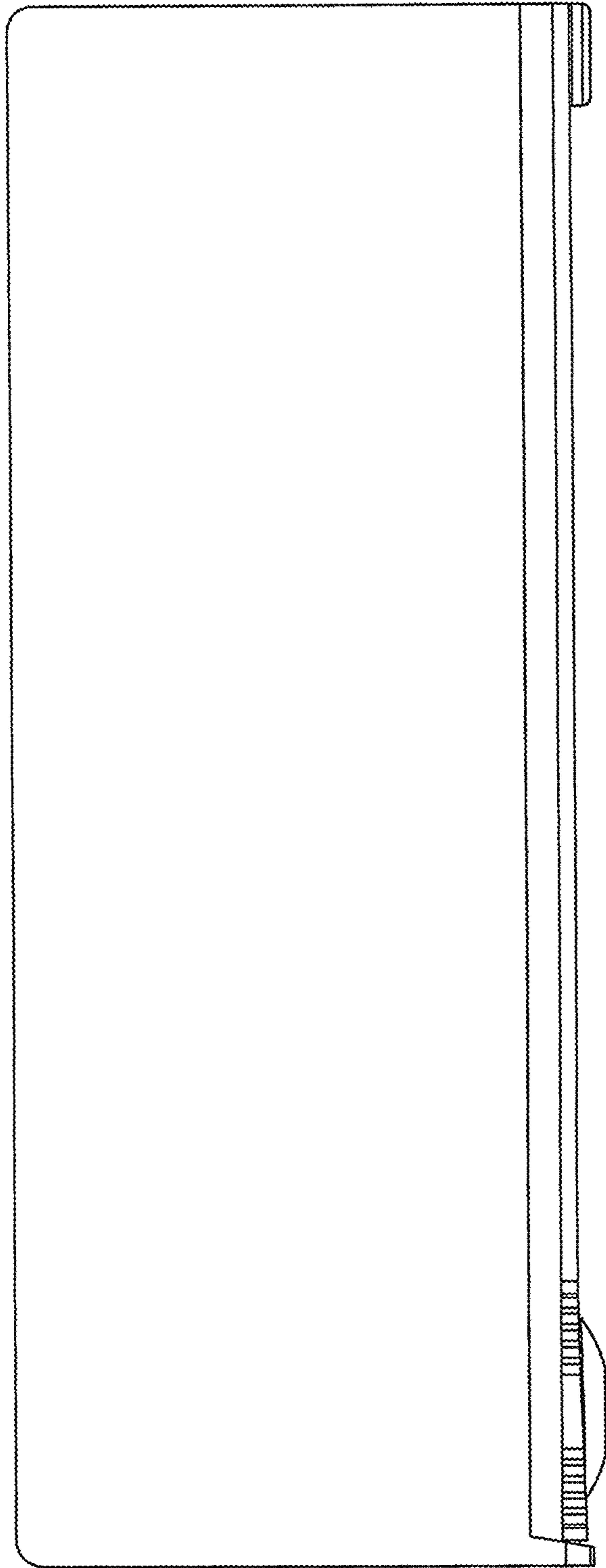


FIG. 14

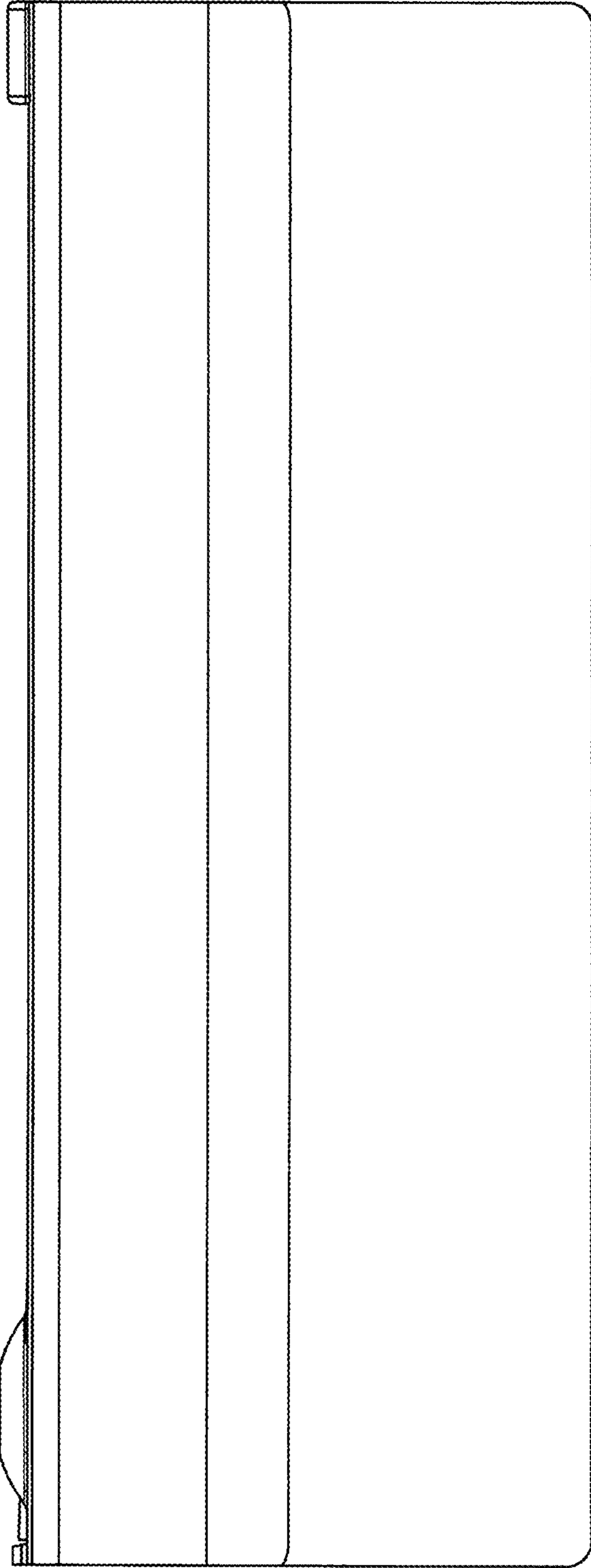


FIG. 15

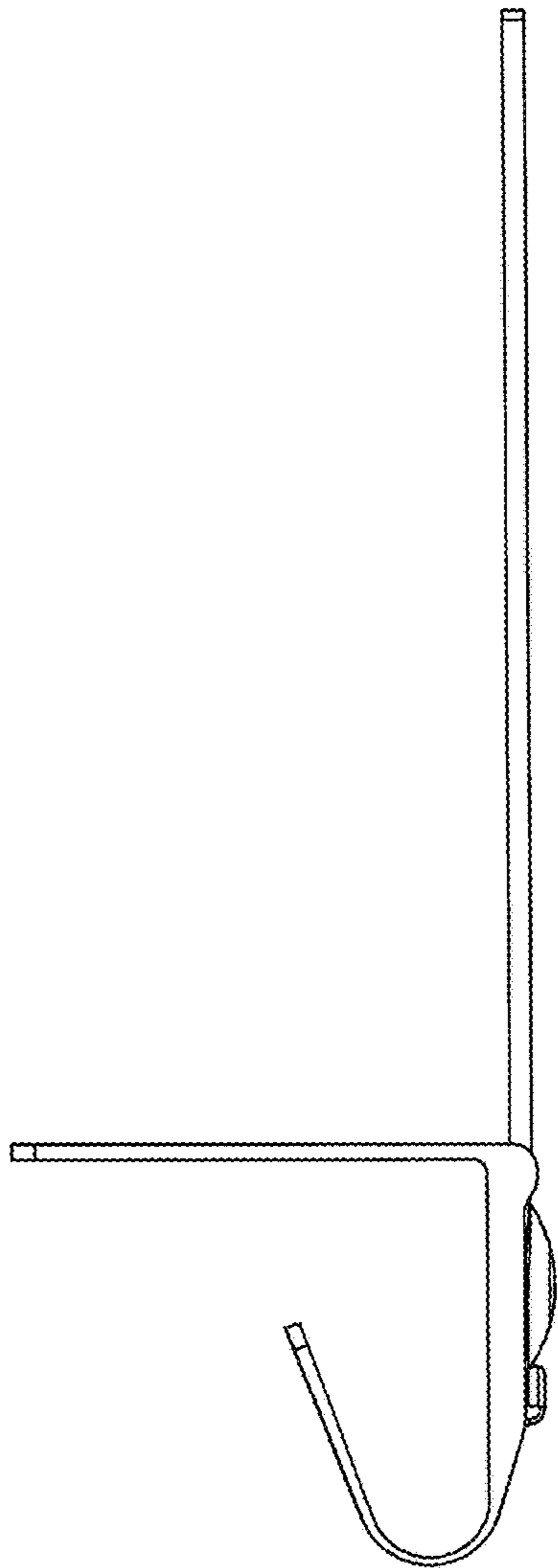


FIG. 16

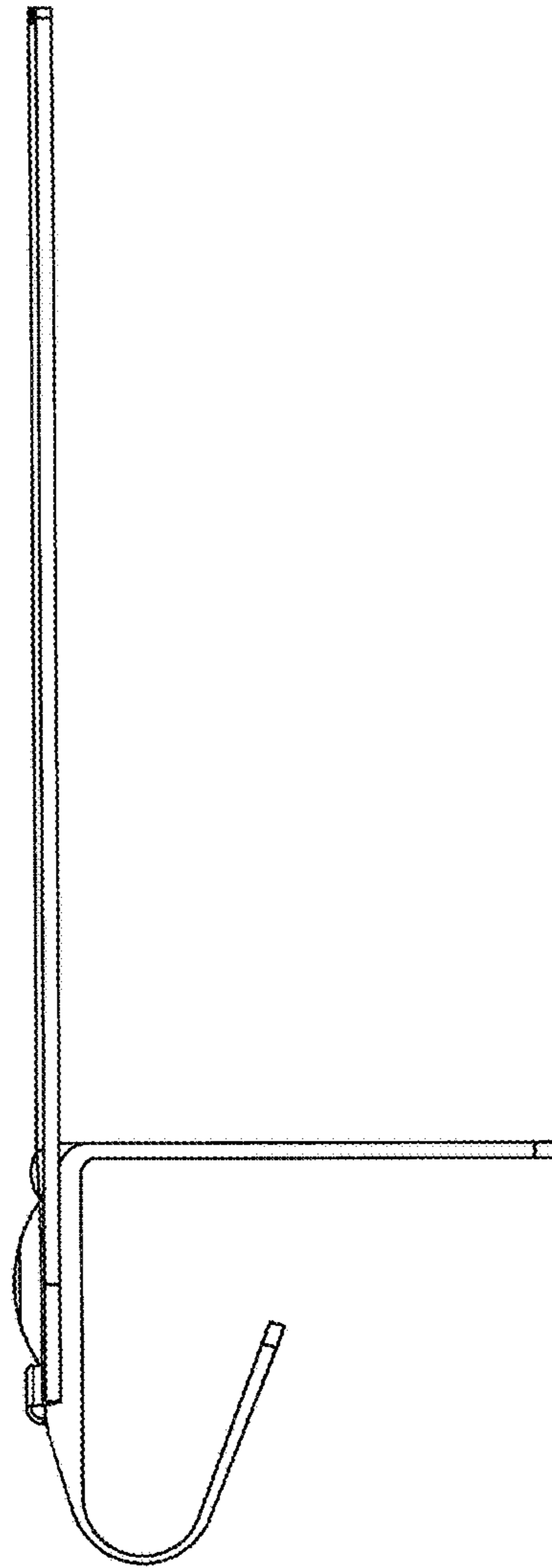
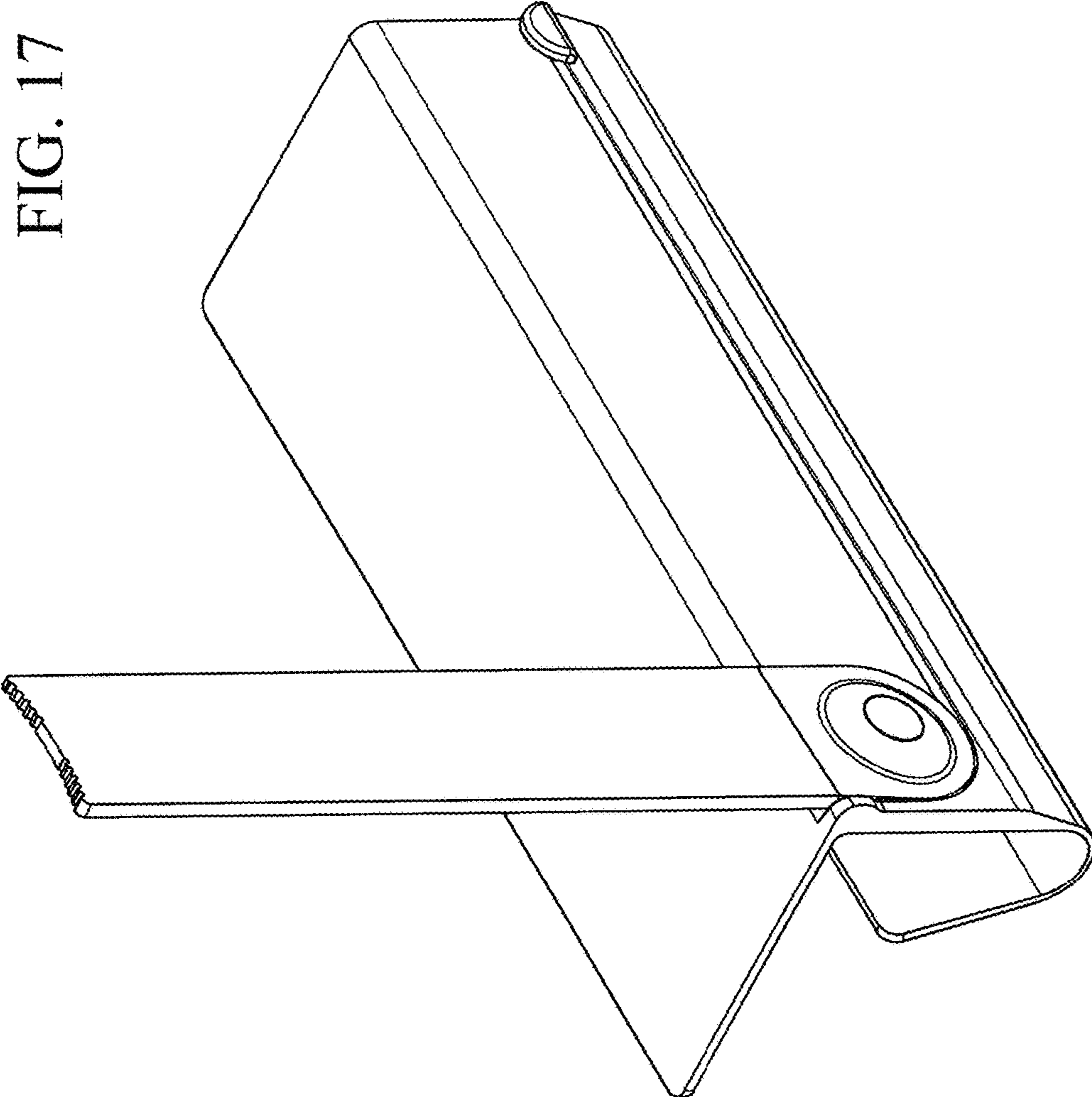


FIG. 17



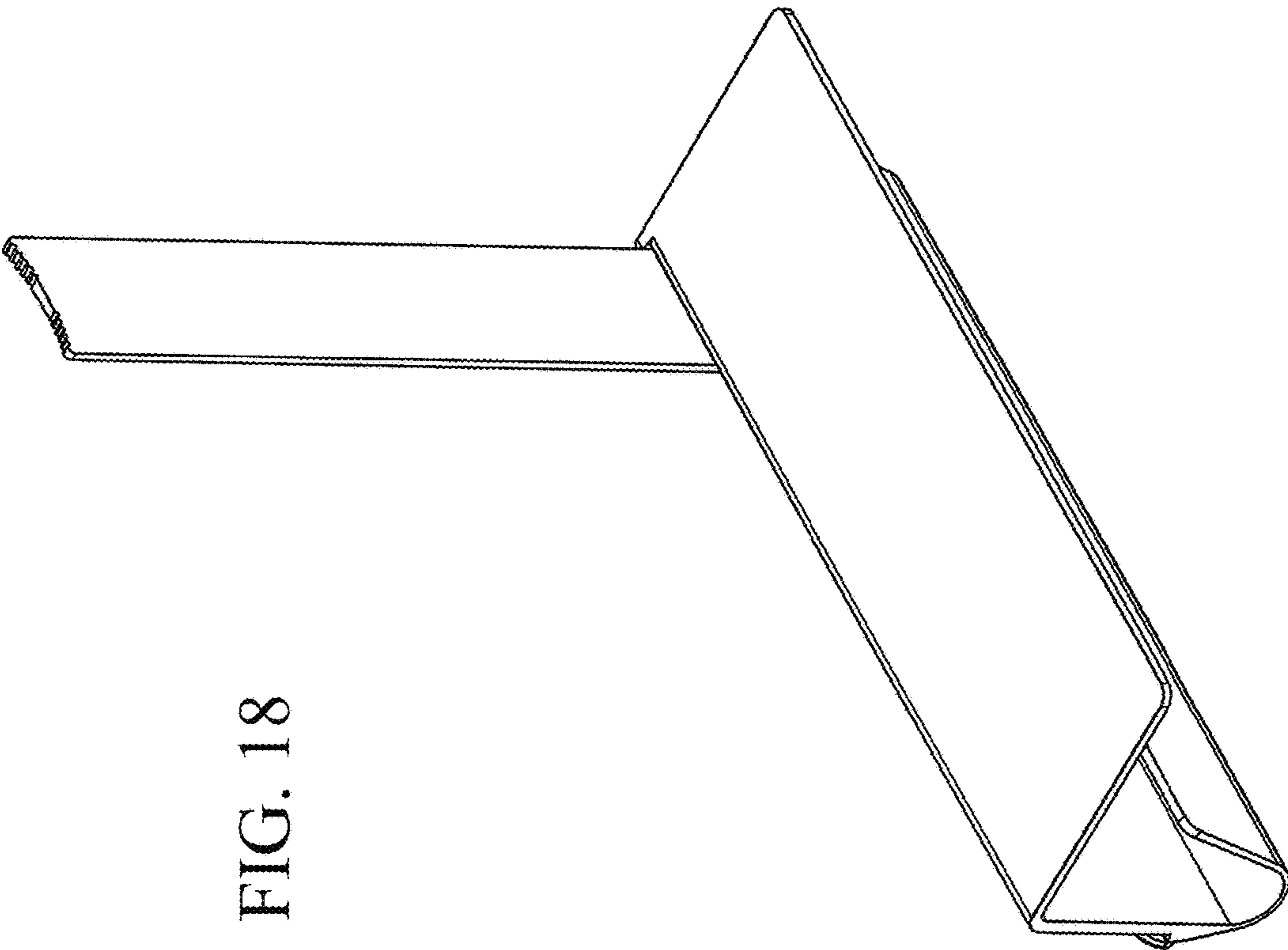


FIG. 18

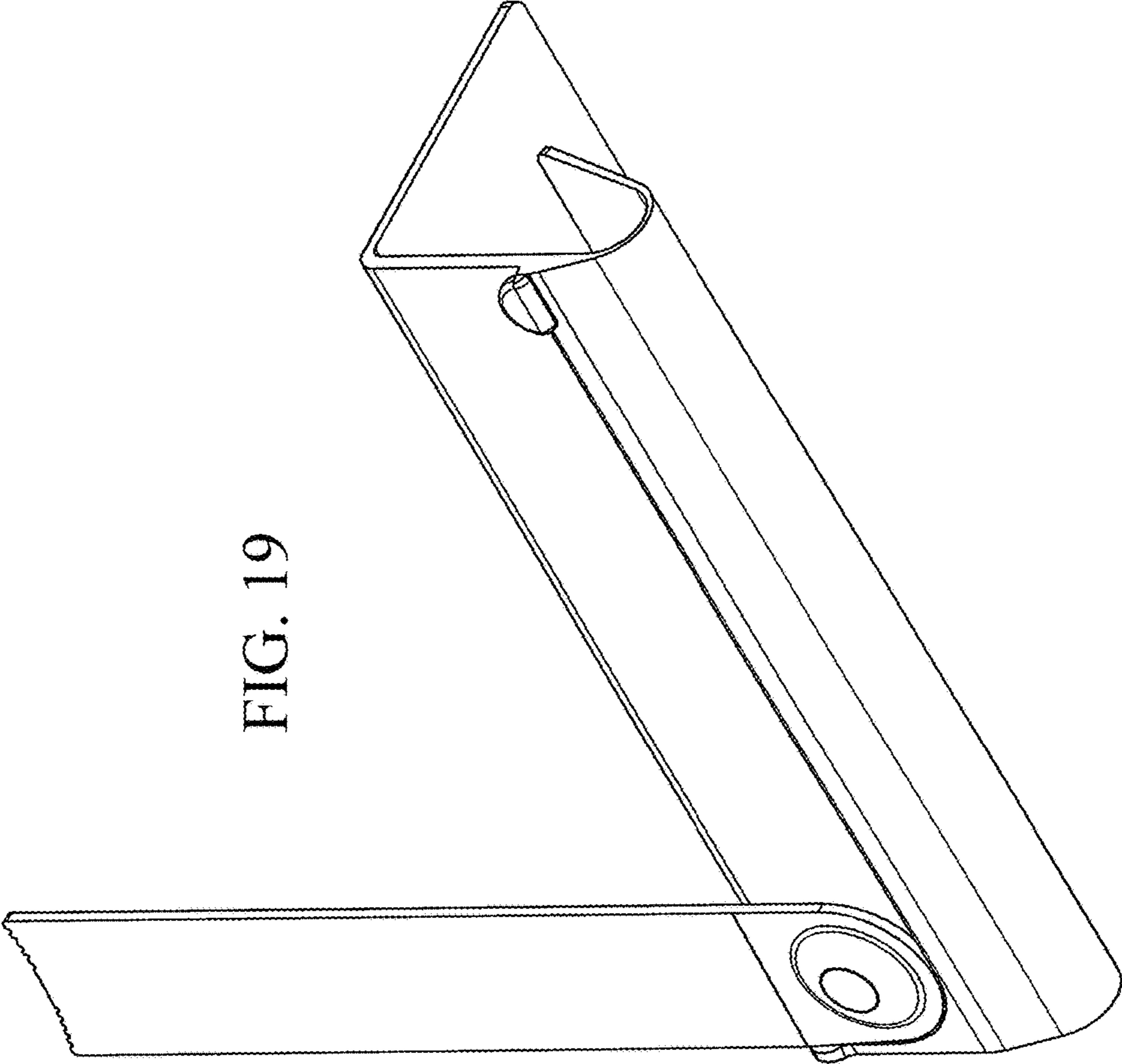


FIG. 19

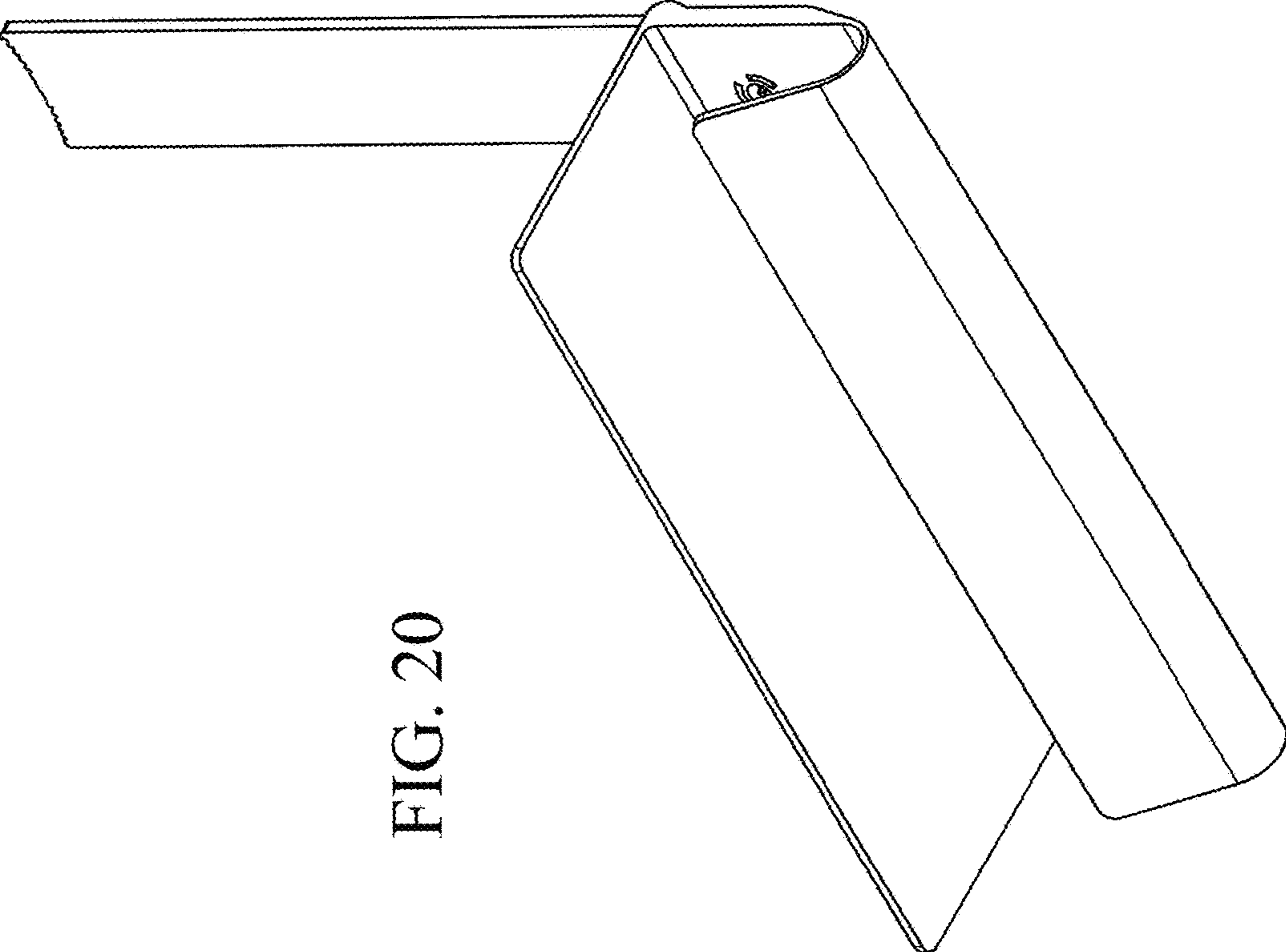


FIG. 20