



US00D775506S

(12) **United States Design Patent** (10) **Patent No.:** **US D775,506 S**
Wenning et al. (45) **Date of Patent:** **** Jan. 3, 2017**

(54) **DRAWER SLIDE JIG**
(71) Applicant: **Rockler Companies, Inc.**, Medina, MN (US)
(72) Inventors: **Daniel Lloyd Wenning**, Minnetonka, MN (US); **Steven Donald Krohmer**, Coon Rapids, MN (US); **Jacob Justin Stoesz**, Golden Valley, MN (US)
(73) Assignee: **Rockler Companies Incorporated**, Medina, MN (US)

4,556,205 A	12/1985	Rock et al.	
4,684,299 A	8/1987	Laliberte	
5,064,319 A	11/1991	Ericksen	
5,431,381 A	7/1995	Smed	
5,507,607 A	4/1996	Ericksen et al.	
D428,285 S *	7/2000	Hughes	D8/374
6,527,265 B1	3/2003	Goodding	
6,719,282 B2	4/2004	Frank	
7,168,181 B2	1/2007	Walchak	
7,281,338 B2	10/2007	Ziegmann et al.	
D554,485 S *	11/2007	Dubon	D8/374
D562,117 S *	2/2008	Dubon	D8/374
D599,648 S *	9/2009	Dubon	D8/374
D618,087 S *	6/2010	Stafford	D8/363
7,979,998 B2	7/2011	Ziegmann	
D695,599 S *	12/2013	Rechberg	D8/377

(**) Term: **14 Years**

* cited by examiner

(21) Appl. No.: **29/510,596**
(22) Filed: **Dec. 1, 2014**
(51) **LOC (10) Cl.** **08-05**
(52) **U.S. Cl.**
USPC **D8/71**
(58) **Field of Classification Search**
USPC D8/16, 18, 19, 20, 71, 105, 356, 363, D8/366, 370-377, 380-382; D6/406.2; D12/106, 48; D20/42
CPC A47B 88/047; A47B 88/04; A47B 88/10; A47B 2210/0059; A47B 88/16; A47B 88/0422; A47B 88/08; A47B 2210/0094; A47B 88/044; A47B 2210/0032; A47B 2210/0081; A47B 88/14; A47B 221/0097
See application file for complete search history.

Primary Examiner — Robert M Spear
Assistant Examiner — Eliza Bennett-hattan
(74) *Attorney, Agent, or Firm* — James L. Young; Westman, Champlin & Koehler

(57) **CLAIM**

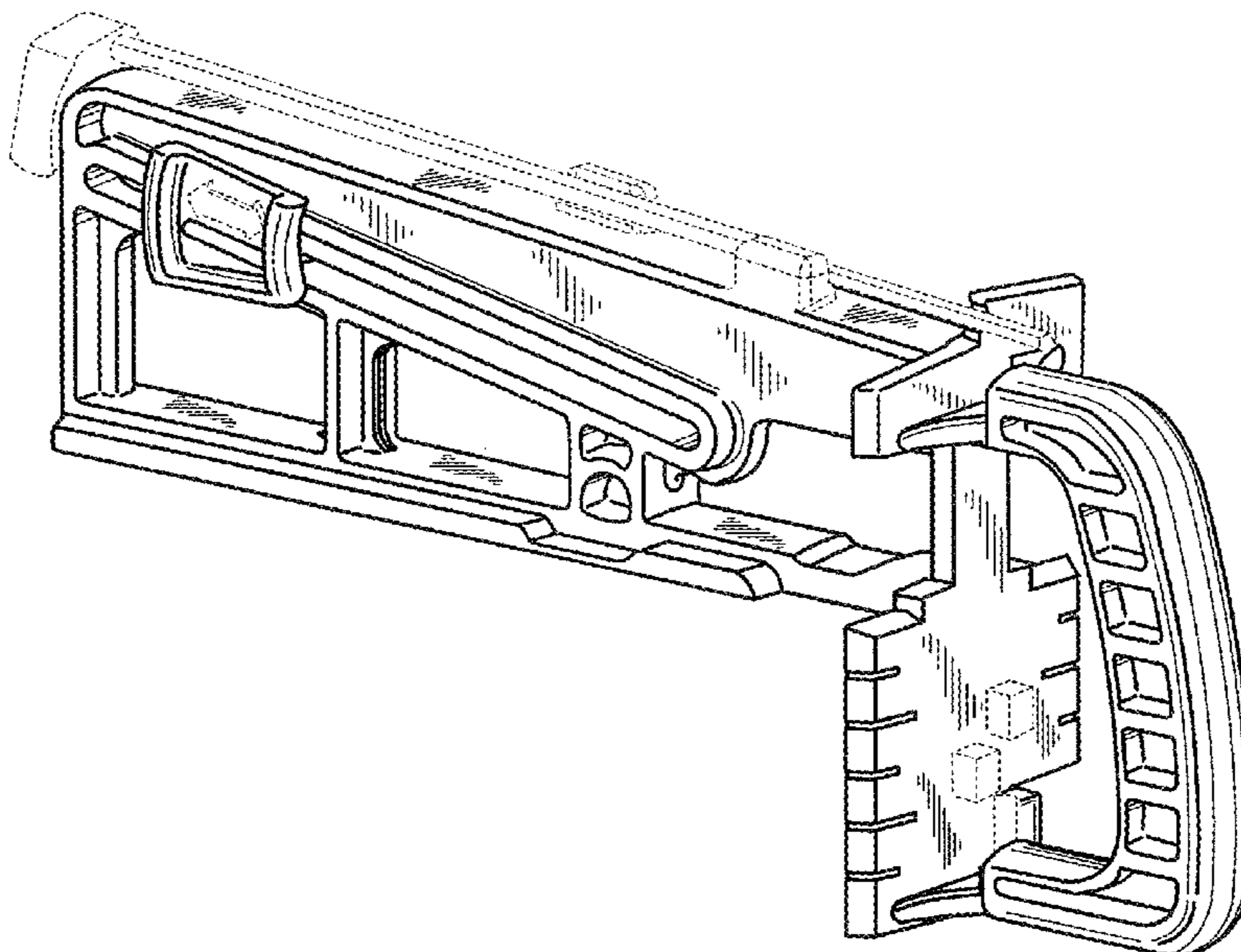
The ornamental design for a drawer slide jig, as shown and described.

DESCRIPTION

FIG. 1 is a perspective view of a drawer slide jig; FIG. 2 is a right side view of the drawer slide jig, wherein a left side view is substantially a mirror image of the right side view; FIG. 3 is a front side view of the drawer slide jig; FIG. 4 is a back side view of the drawer slide jig; FIG. 5 is a top view of the drawer slide jig; and, FIG. 6 is a bottom view of the drawer slide jig. The broken lines form no part of the claimed design.

(56) **References Cited**
U.S. PATENT DOCUMENTS
3,246,399 A 4/1966 Southern
3,583,823 A 6/1971 Eaton et al.

1 Claim, 3 Drawing Sheets



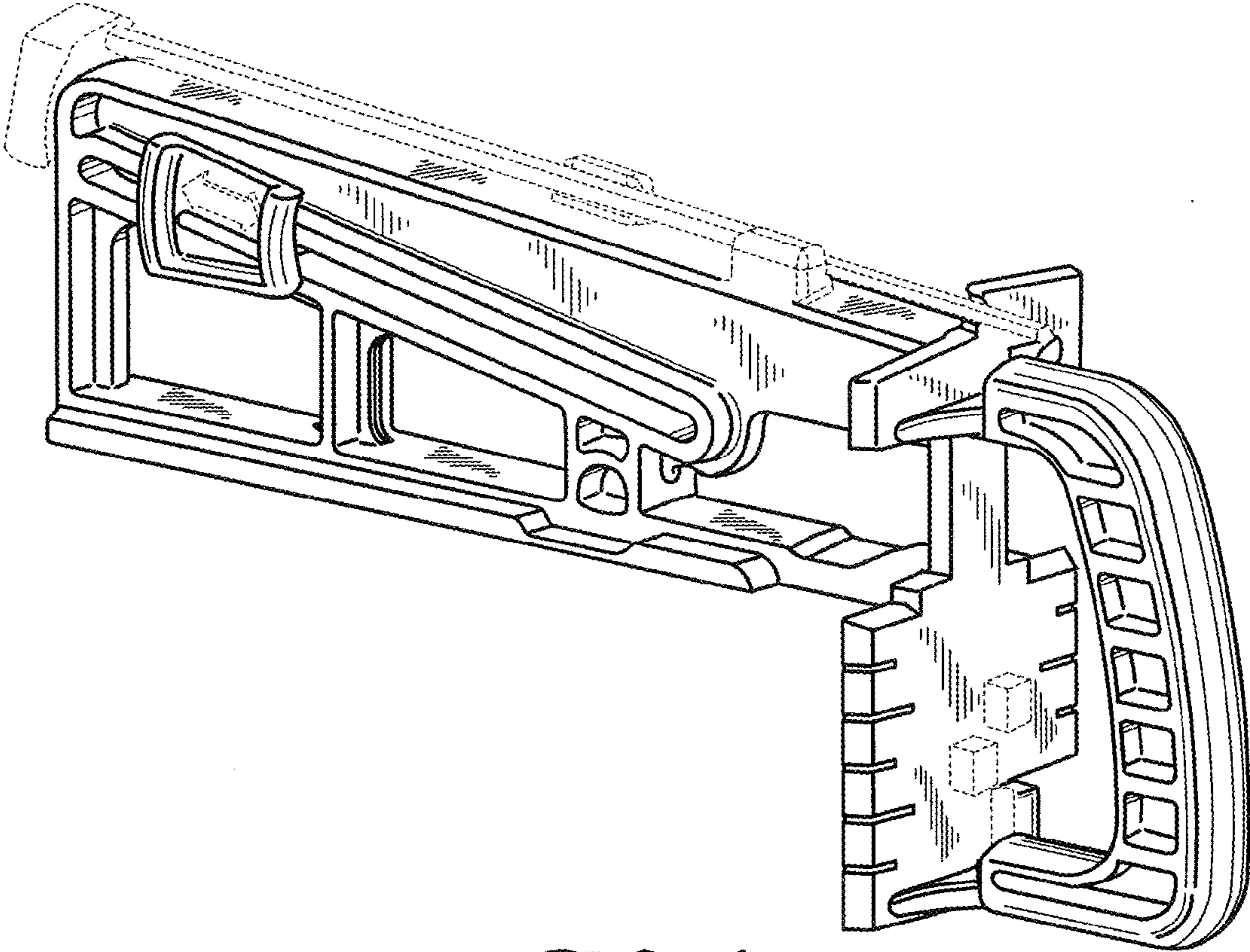


FIG. 1

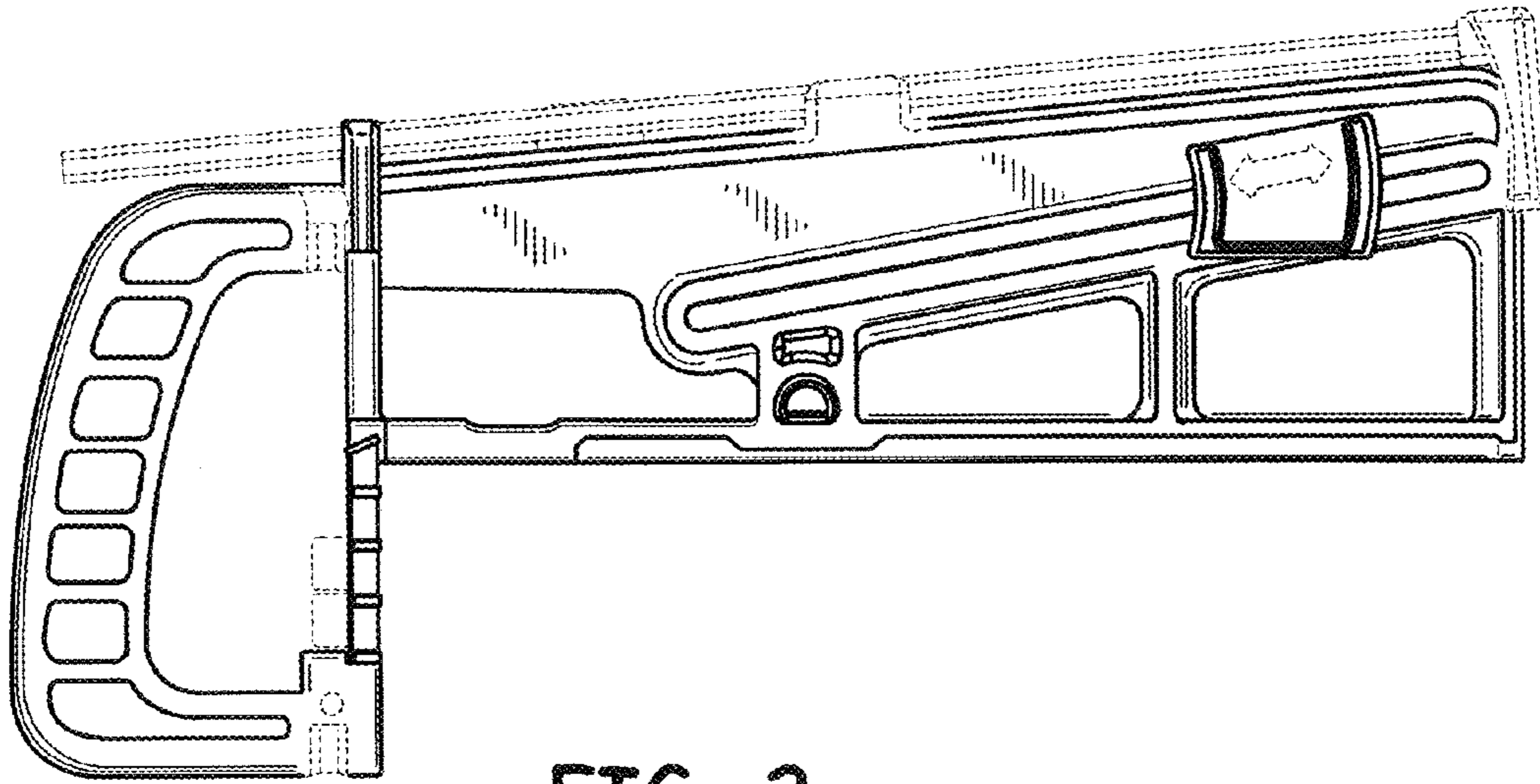


FIG. 2

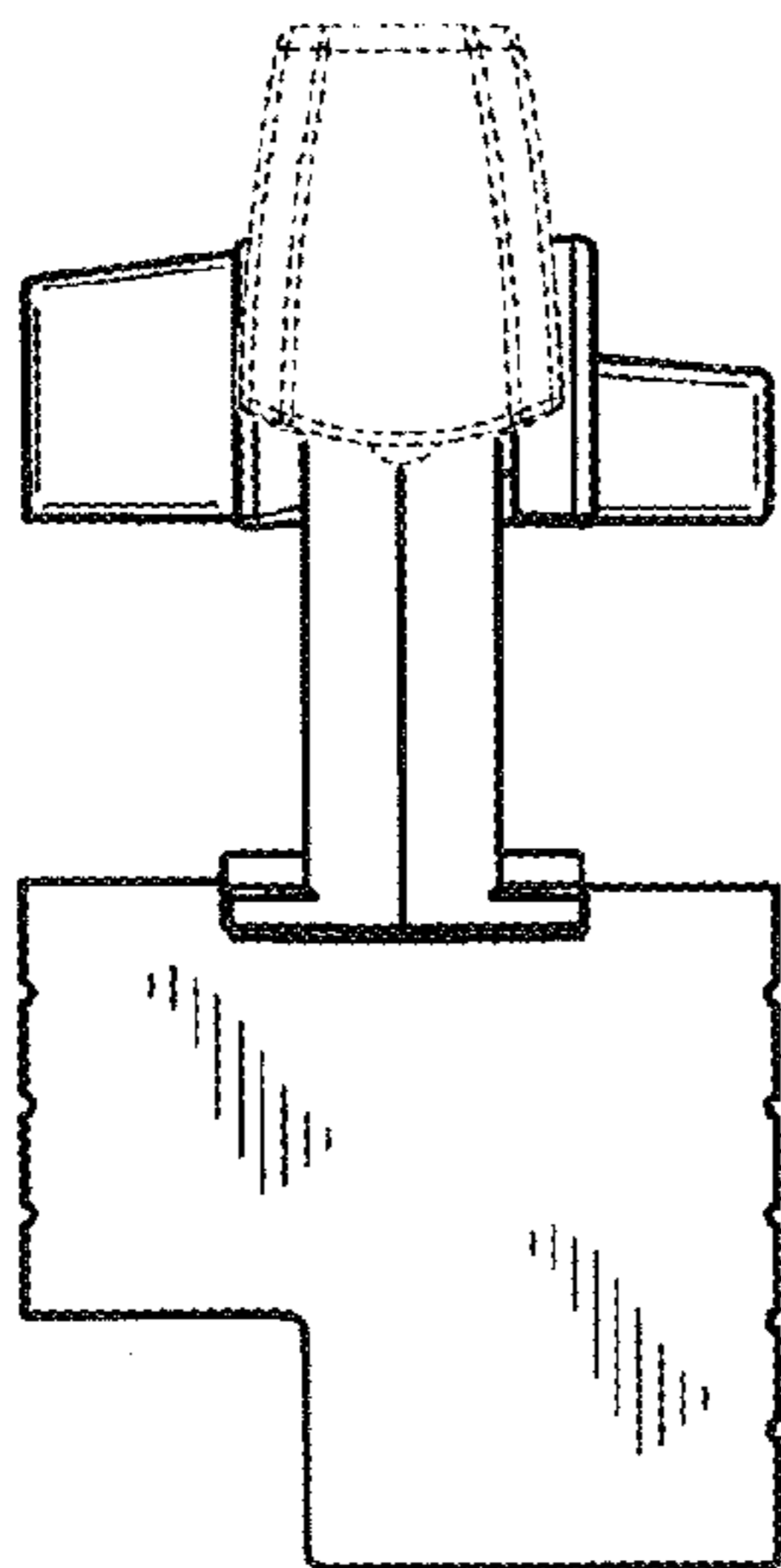


FIG. 3

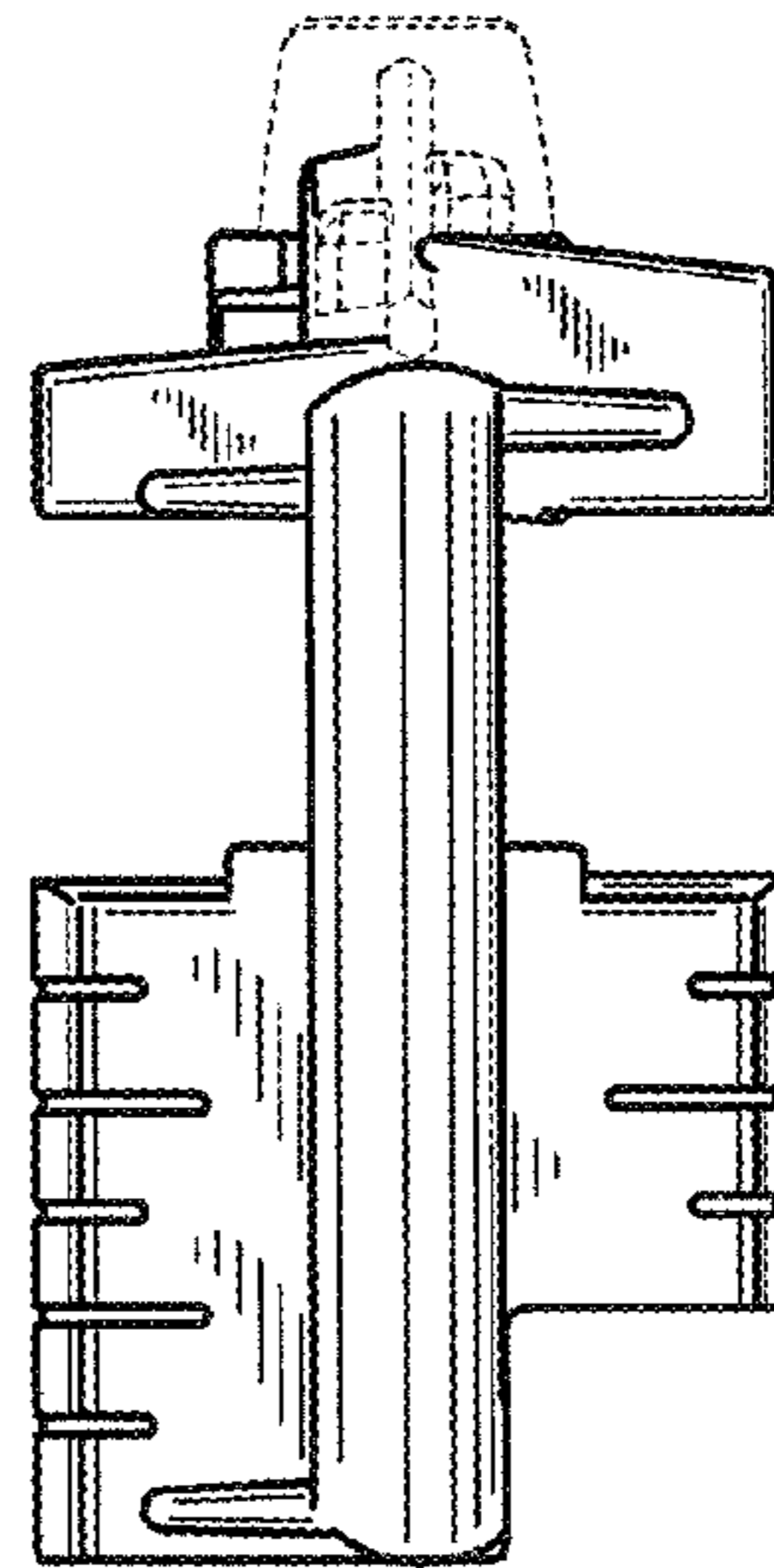


FIG. 4

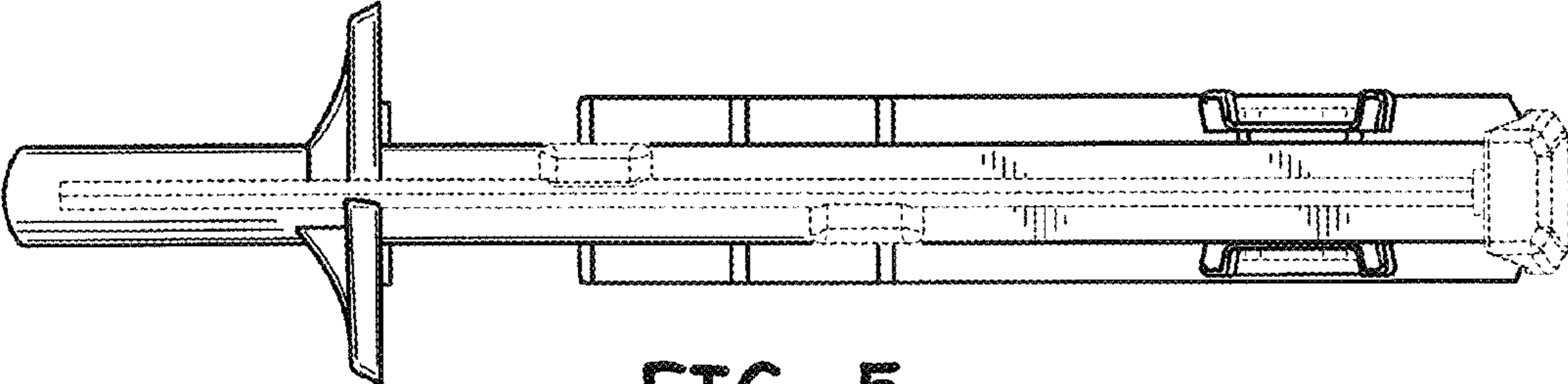


FIG. 5

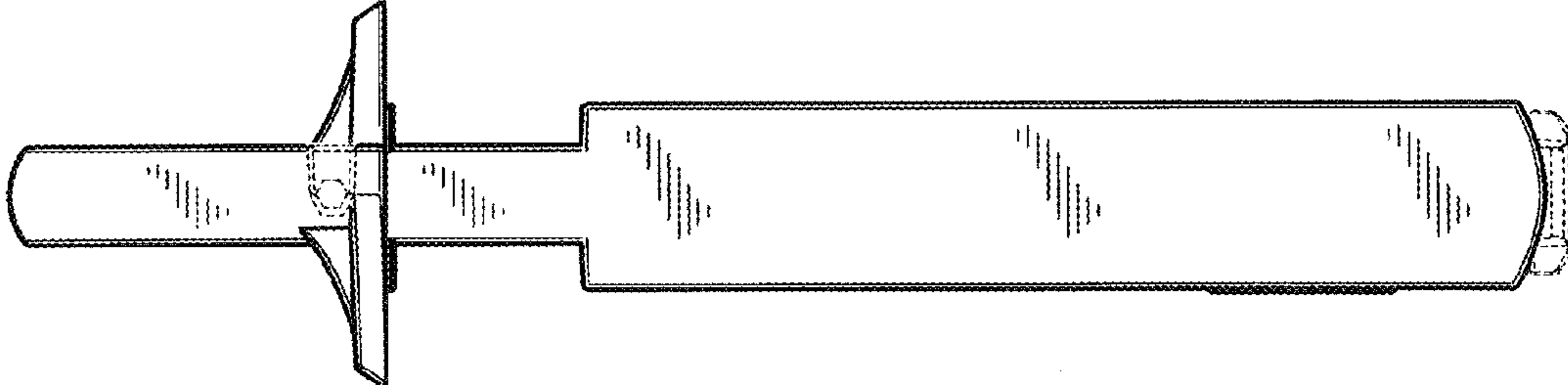


FIG. 6