



US00D775505S

(12) **United States Design Patent**  
**Koeniger et al.**

(10) **Patent No.:** **US D775,505 S**  
(45) **Date of Patent:** **\*\* Jan. 3, 2017**

(54) **POWDER ACTUATED TOOL**  
(71) Applicant: **Hilti Aktiengesellschaft**, Schaan (LI)  
(72) Inventors: **Tobias Koeniger**, Bregenz (AT); **Heiko Aupperle**, Heerbrugg (CH)  
(73) Assignee: **Hilti Aktiengesellschaft**, Schaan (LI)  
(\*\*) Term: **14 Years**

6,978,526 B1 \* 12/2005 Lin ..... 29/243.525  
7,021,511 B2 \* 4/2006 Popovich ..... B25C 1/184  
227/120  
7,082,657 B1 \* 8/2006 Lin ..... 29/243.525  
D543,819 S \* 6/2007 Lee ..... D8/69  
D545,159 S \* 6/2007 Schoen ..... D8/68  
D589,771 S \* 4/2009 Lee ..... D8/61  
(Continued)

(21) Appl. No.: **29/493,438**  
(22) Filed: **Jun. 10, 2014**

(30) **Foreign Application Priority Data**

Dec. 11, 2013 (WO) ..... DM/082425

(51) **LOC (10) Cl.** ..... **08-01**  
(52) **U.S. Cl.**  
USPC ..... **D8/68**

(58) **Field of Classification Search**  
USPC ... D8/61, 67, 68; 81/57.4, 489; 173/48, 109,  
173/170, 178, 217; 408/124, 125;  
362/119; 475/149  
CPC ..... B62D 23/005; B62D 29/00; B62D 29/043;  
B62D 31/00; B62D 33/046; B62D 35/00;  
B62D 35/001; B60Q 1/0005  
See application file for complete search history.

(56) **References Cited**

**U.S. PATENT DOCUMENTS**

2,995,753 A \* 8/1961 Henning ..... 227/9  
3,652,003 A \* 3/1972 Leonardo et al. .... 227/10  
D296,865 S \* 7/1988 Roxton ..... D8/68  
D298,509 S \* 11/1988 Brosius ..... D8/68  
5,004,020 A \* 4/1991 Meinershagen ..... B21F 15/04  
140/119  
D332,736 S \* 1/1993 Mikiya ..... D8/68  
D408,249 S \* 4/1999 Fallandy ..... D8/68  
D436,510 S \* 1/2001 Bazayev ..... D8/68  
D446,434 S \* 8/2001 Ashbaugh ..... D8/68

**OTHER PUBLICATIONS**

Sturgess, Steve. "How to use powder actuated tools." Pro Construction Guide., Apr. 17, 2013 [online], [retrieved on Sep. 17, 2016]. Retrieved from the Internet <URL: <http://www.proconstructionguide.com/powder-actuated-tools/>>.\*

(Continued)

*Primary Examiner* — Darlington Ly

(74) *Attorney, Agent, or Firm* — Crowell & Morning LLP

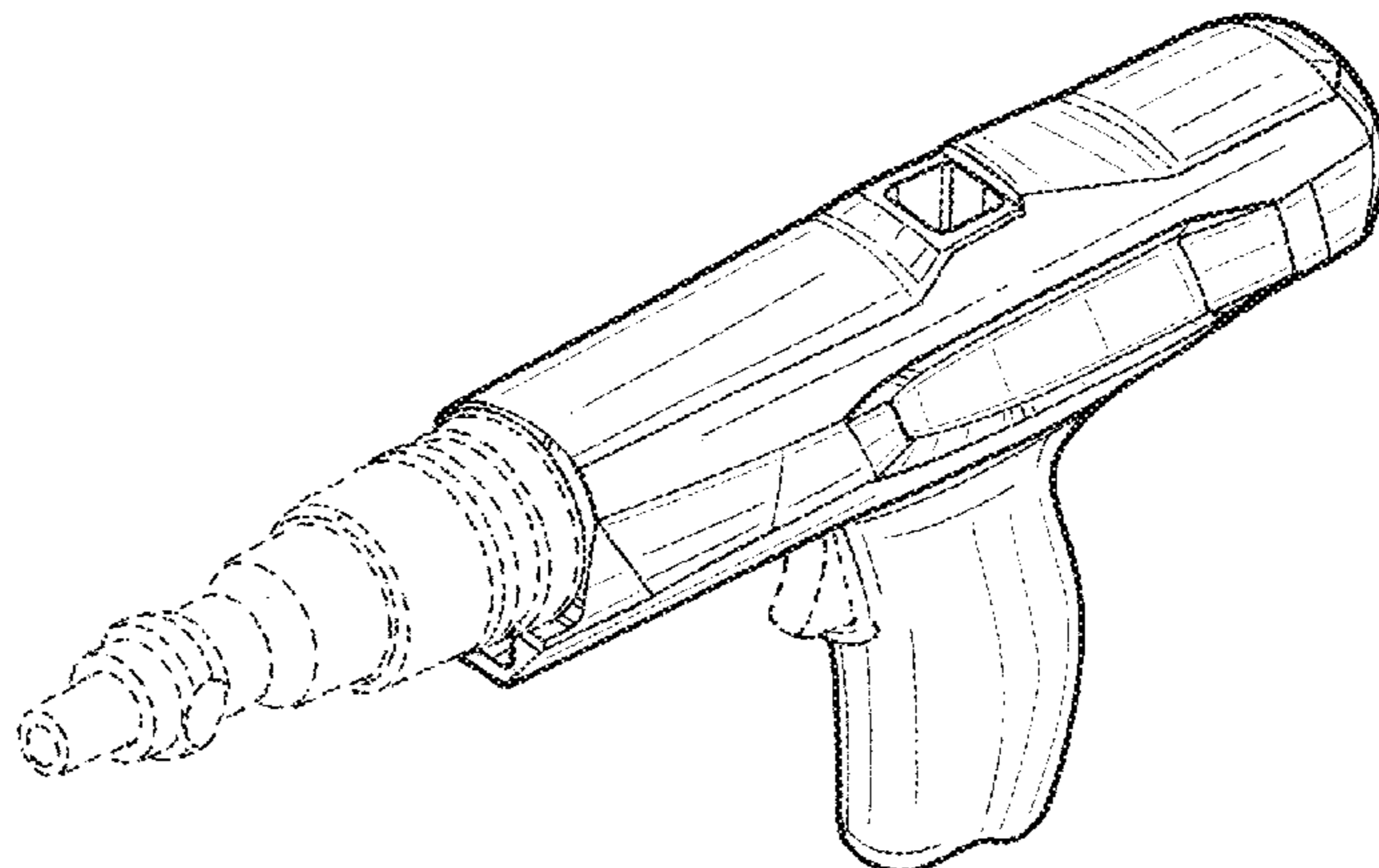
(57) **CLAIM**

The ornamental design for a powder actuated tool, as shown and described.

**DESCRIPTION**

FIG. 1 is a left, front perspective view of a powder actuated tool according to the design, the right, front perspective view being mirror symmetrical;  
FIG. 2 is a left, rear perspective view thereof, the right, rear perspective view being mirror symmetrical;  
FIG. 3 is a left side view thereof;  
FIG. 4 is a right side view thereof;  
FIG. 5 is a top view thereof;  
FIG. 6 is a bottom view thereof;  
FIG. 7 is a rear view thereof; and,  
FIG. 8 is a front view thereof.  
The broken lines shown in the drawings illustrate portions of the powder actuated tool that form no part of the claimed design.

**1 Claim, 6 Drawing Sheets**



(56)

**References Cited**

## U.S. PATENT DOCUMENTS

D608,176 S \* 1/2010 Heidelberger ..... D8/68  
D619,438 S \* 7/2010 Lee ..... D8/68  
D647,775 S \* 11/2011 Toszegi ..... D8/68  
D649,309 S \* 11/2011 Spann ..... D32/33  
8,443,512 B2 \* 5/2013 Masugata ..... 29/715  
D707,519 S \* 6/2014 Masugata ..... D8/68  
2004/0050898 A1 \* 3/2004 Popovich et al. .... 227/10  
2005/0035172 A1 \* 2/2005 Popovich et al. .... 227/10  
2008/0041911 A1 \* 2/2008 Lee ..... 227/9  
2009/0159634 A1 \* 6/2009 Lee ..... B25C 1/143  
227/9  
2010/0258609 A1 \* 10/2010 Lee ..... 227/10

## OTHER PUBLICATIONS

“Spitfire P370 Powder Actuated Tool.” Spit Catalogues., Mar. 11, 2012 [online], [retrieved on Sep. 17, 2016]. Retrieved from the Internet <URL: <http://pdf.directindustry.com/pdf/spit-impex/spit-fire-p370-powder-actuated-tool/12325-258337.html>>.\*

Geary, Don. “Tool Talk: Fastening to concrete.” Construction Magazine., Feb. 26, 2008 [online], [retrieved on Sep. 17, 2016]. Retrieved from the Internet <URL: [http://www.constructionmagnet.com/products/tools-and-jobsite-equipment/tool\\_talk\\_fastening\\_to\\_concrete](http://www.constructionmagnet.com/products/tools-and-jobsite-equipment/tool_talk_fastening_to_concrete)>.\*

\* cited by examiner

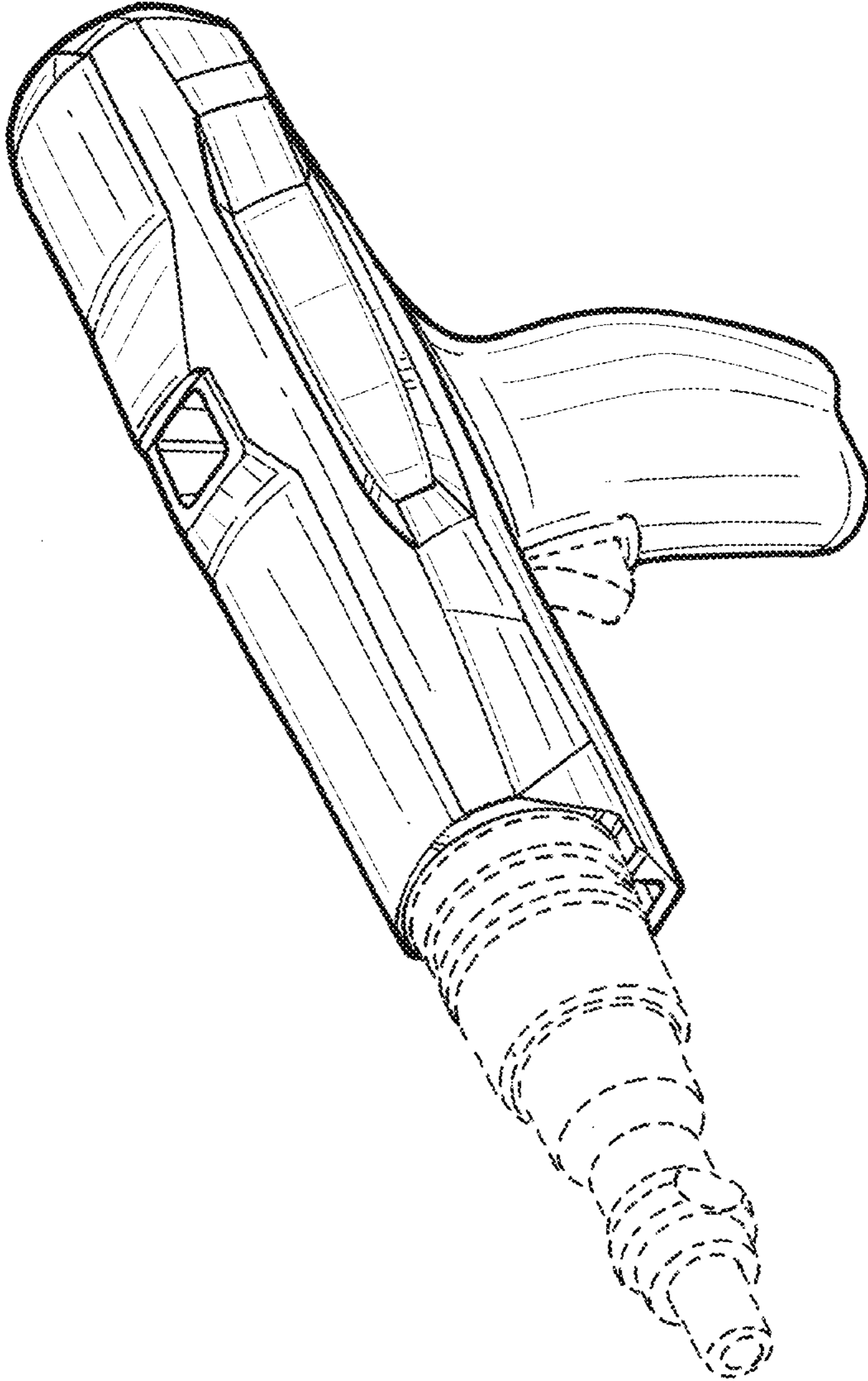


FIG. 1

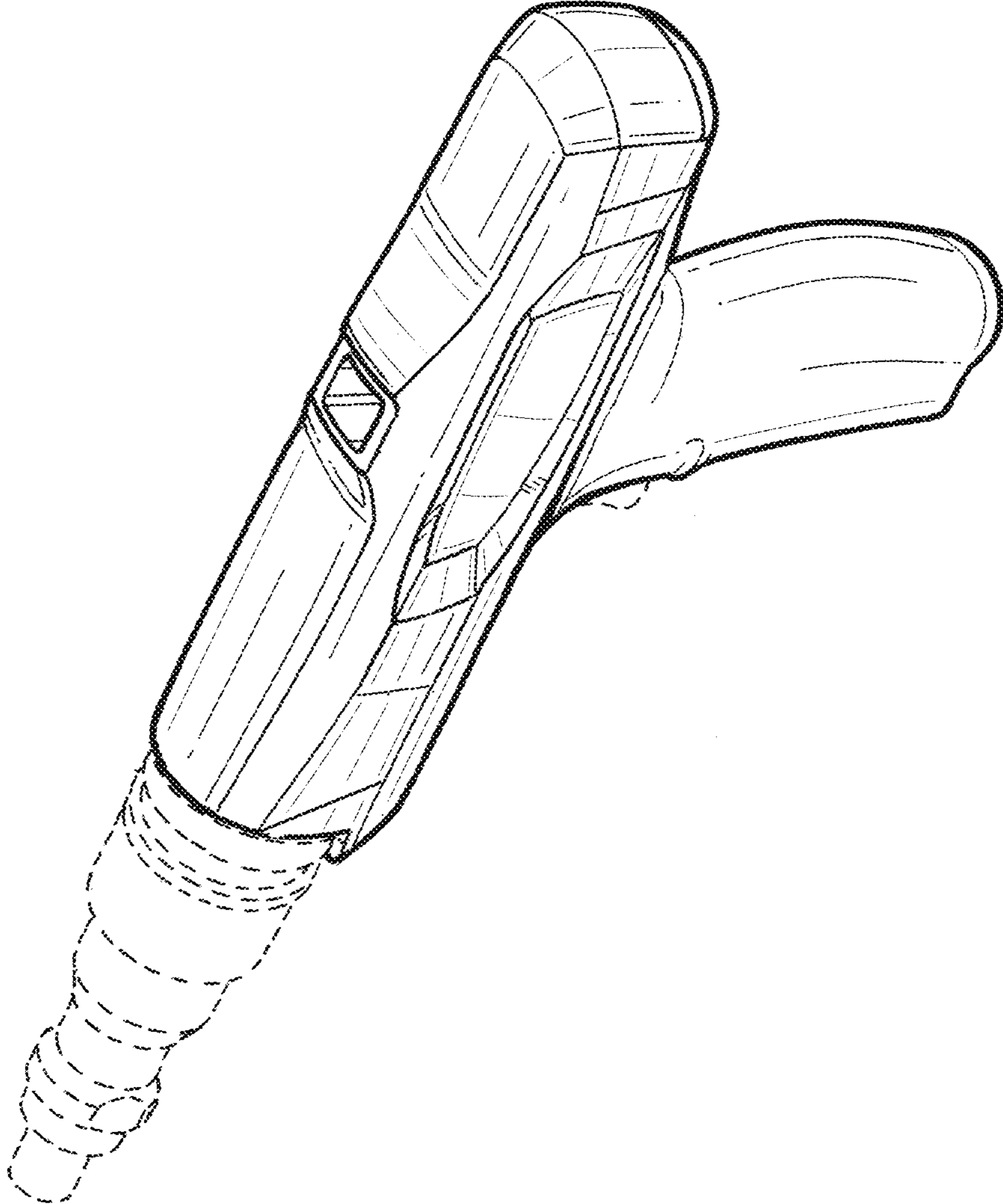


FIG. 2

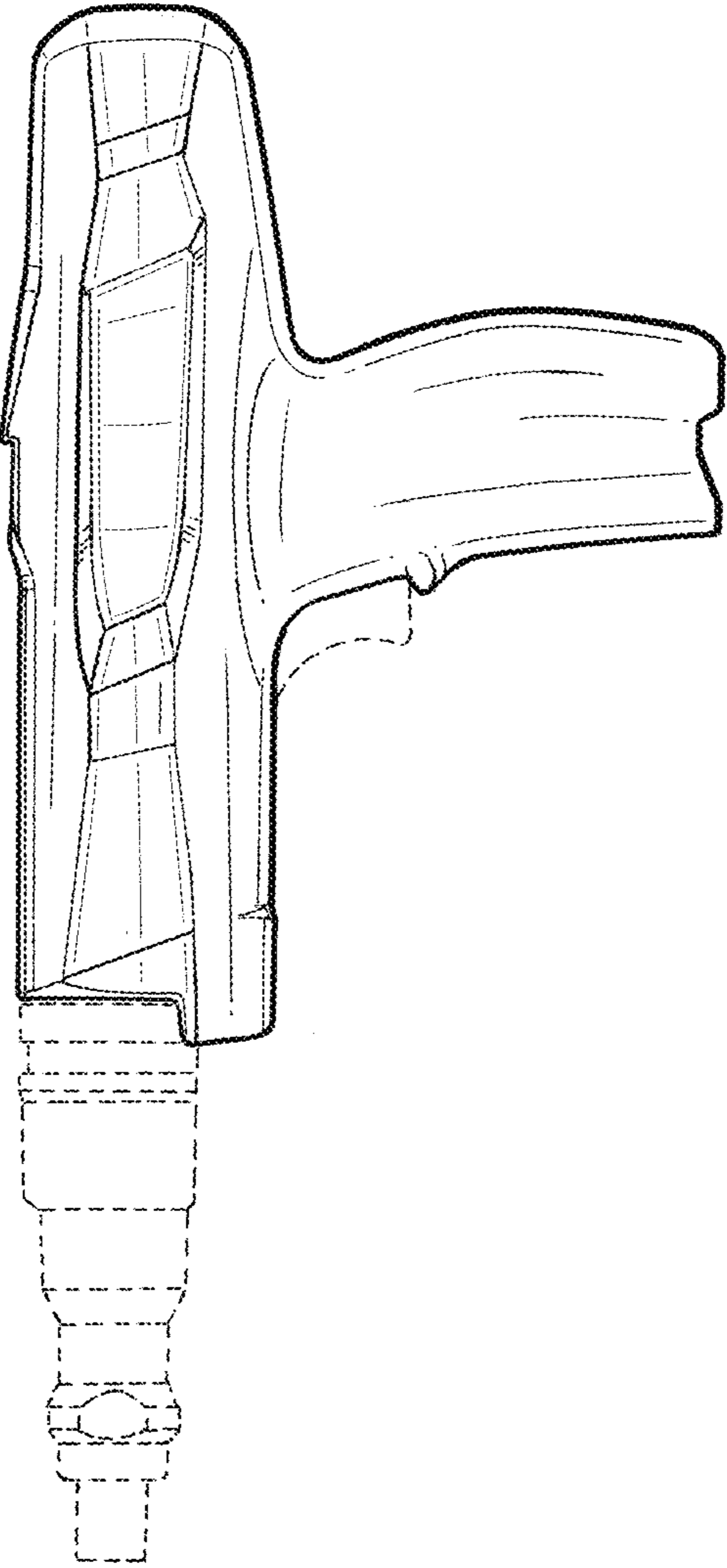


FIG. 3

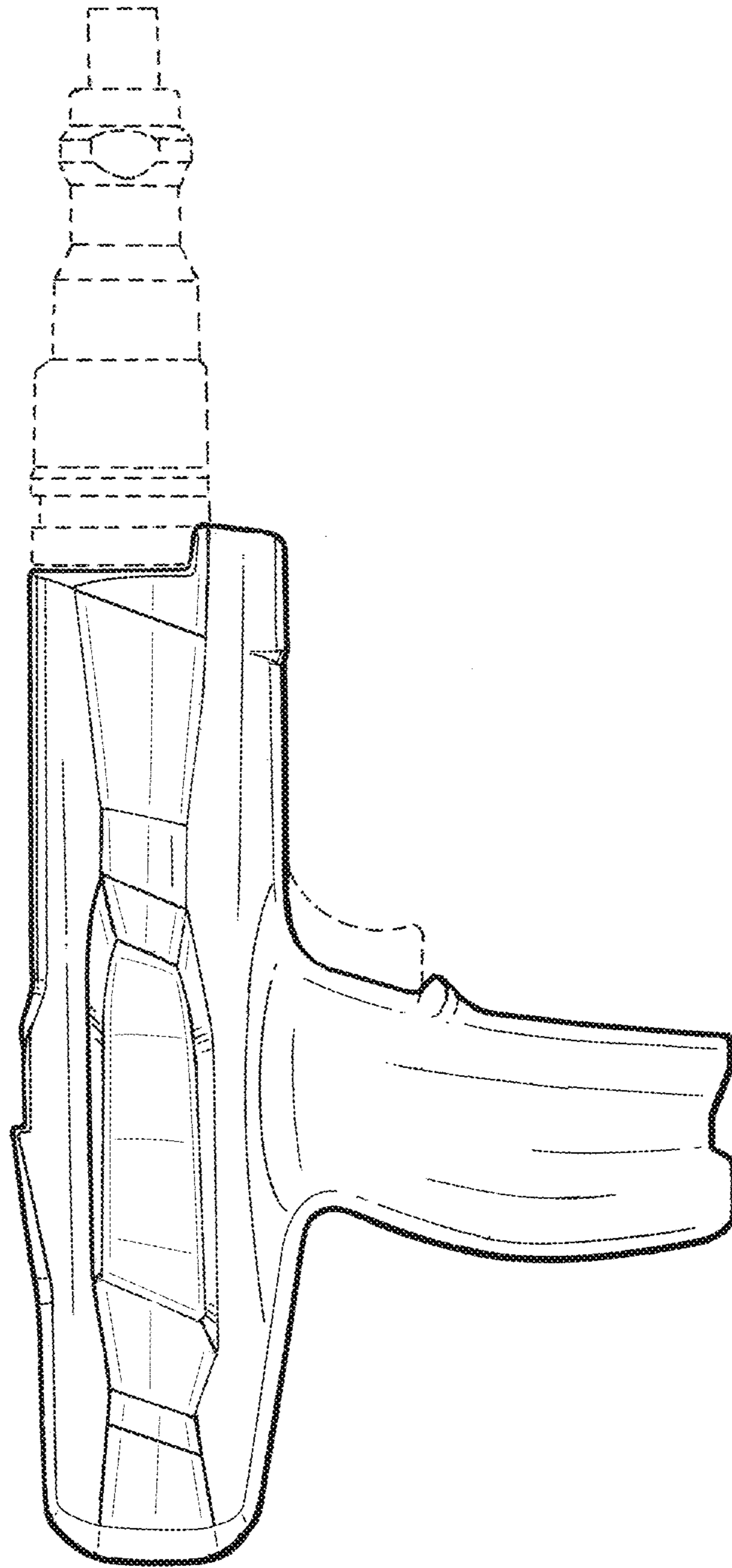


FIG. 4

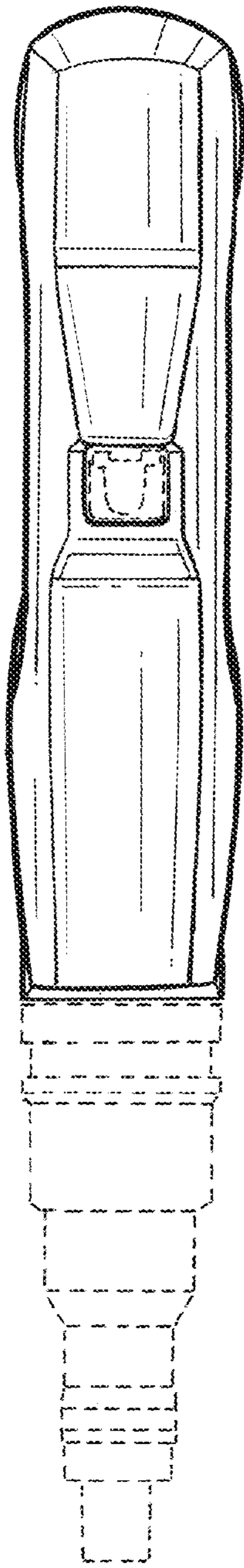


FIG. 5

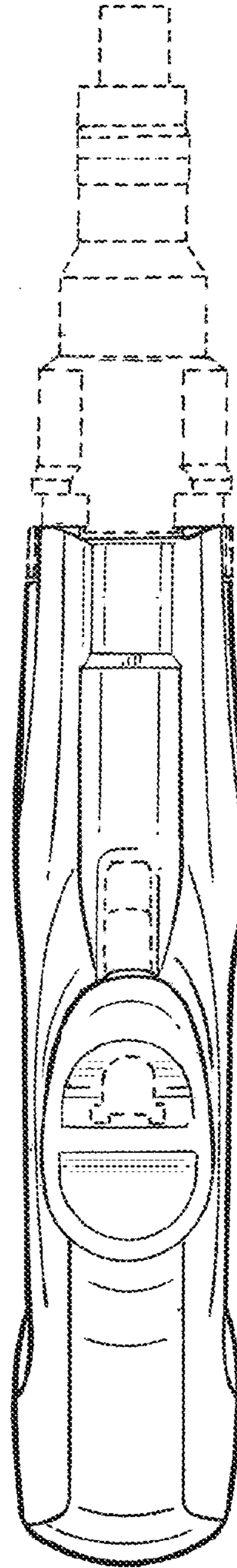


FIG. 6

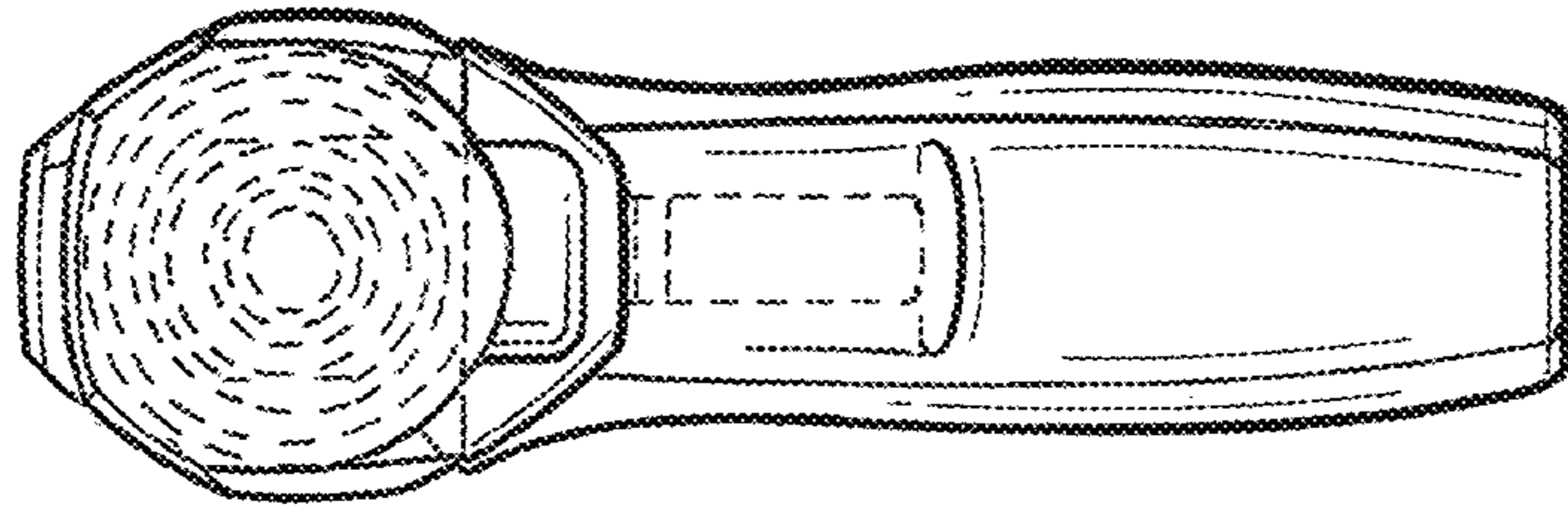


FIG. 8

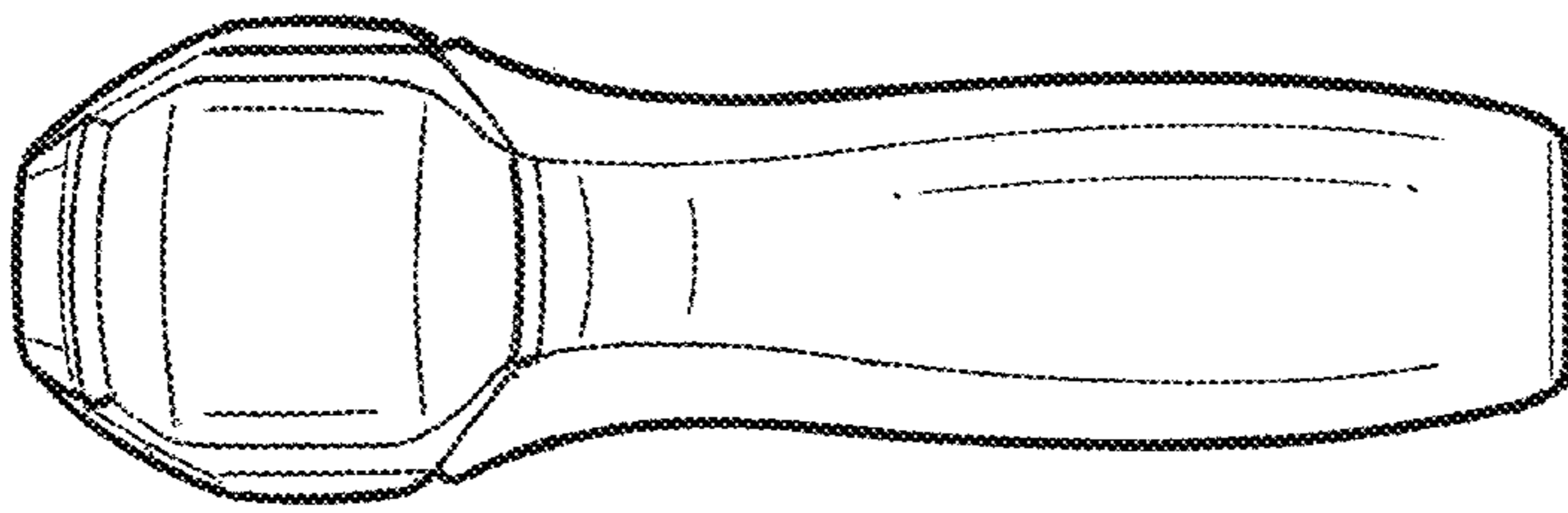


FIG. 7