



US00D775503S

(12) **United States Design Patent**
Ludtke et al.

(10) **Patent No.:** **US D775,503 S**
(45) **Date of Patent:** **** Jan. 3, 2017**

(54) **SWITCHABLE PLIERS**
(71) Applicant: **A&E Incorporated**, Racine, WI (US)
(72) Inventors: **Jonathan L. Ludtke**, Waterford, WI (US); **Jeffrey J. Kuzmic**, Wind Lake, WI (US)
(73) Assignee: **A & E Incorporated**, Racine, WI (US)

5,826,467 A * 10/1998 Huang B25B 7/06
29/229
5,865,075 A * 2/1999 Medved B25B 27/205
29/229
6,470,774 B2 * 10/2002 Chang B25B 27/205
29/229

(**) Term: **14 Years**

FOREIGN PATENT DOCUMENTS

WO WO 2011/090983 1/2011

(21) Appl. No.: **29/488,340**

(22) Filed: **Apr. 17, 2014**

(51) **LOC (10) Cl.** **08-05**

(52) **U.S. Cl.**
USPC **D8/52**

(58) **Field of Classification Search**
USPC D8/4, 5, 51-60
CPC B25B 27/205; B25B 7/18; B25B 7/02;
B25B 7/04; Y10T 29/5363
See application file for complete search history.

OTHER PUBLICATIONS

Redline Detection, LLC; Rapid Shift Internal to External Circlip Pliers (Part No. RDL95-0200) <http://www.olct.co/redline-detection/snap-ring-pliers-12-piece-set#>, dated May 8, 2014.

* cited by examiner

Primary Examiner — Deanna L Pratt
(74) *Attorney, Agent, or Firm* — Ryan Kromholz & Manion, S.C.

(57) **CLAIM**

The ornamental design for a switchable pliers, as shown and described.

(56) **References Cited**

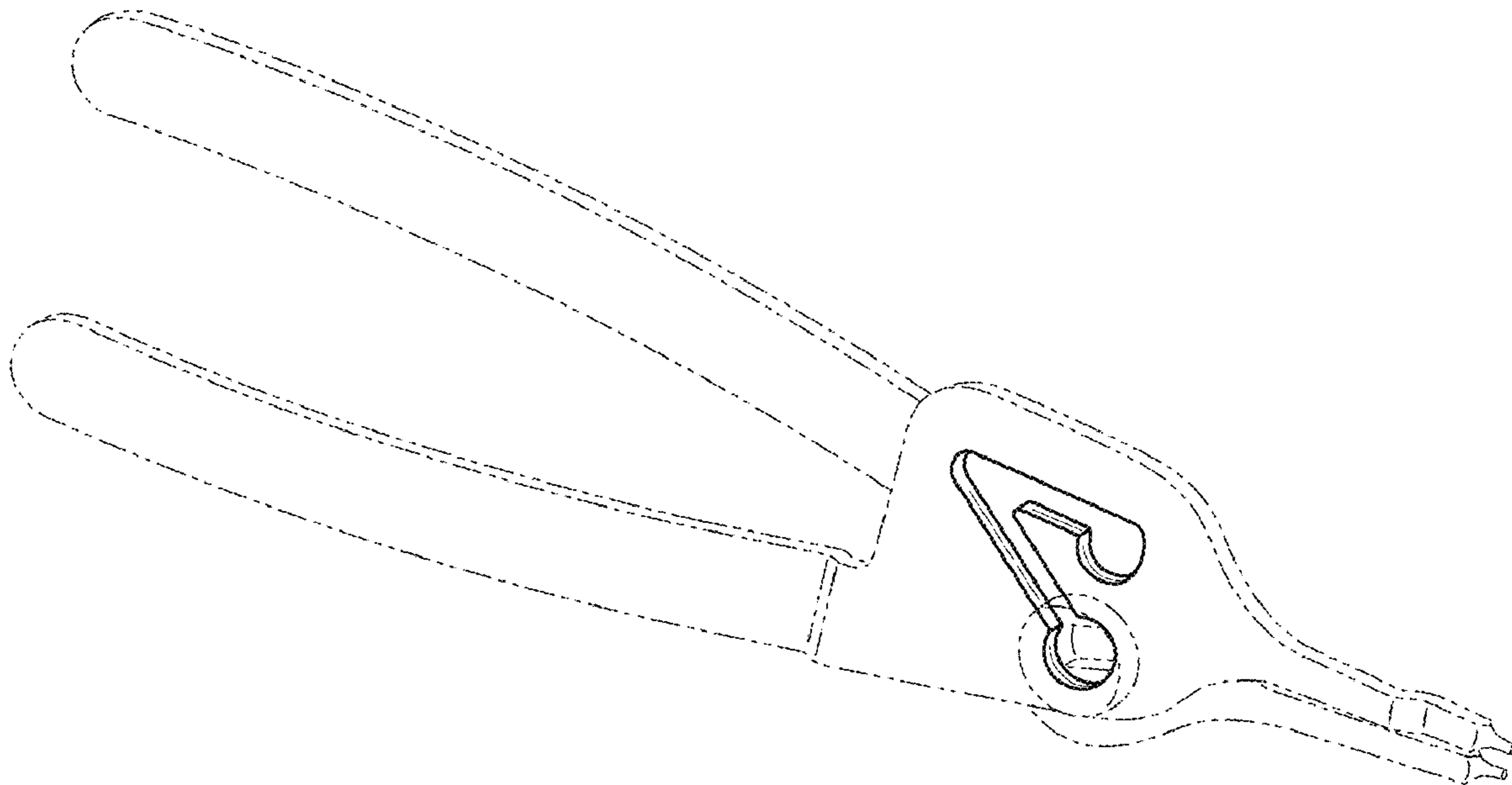
U.S. PATENT DOCUMENTS

3,503,114 A * 3/1970 Stanton A44B 19/00
29/239
3,762,019 A * 10/1973 Epstein B25B 27/205
29/229
5,007,313 A 4/1991 Jeromson, Jr. et al.
5,065,650 A * 11/1991 Anderson B25B 7/10
29/229

DESCRIPTION

FIG. 1 is a perspective view of the switchable pliers;
FIG. 2 is an exploded perspective view thereof;
FIG. 3 is a top plan view thereof; and,
FIG. 4 is a bottom plan view thereof.
The broken lines illustrate portions of the convertible snapping pliers that form no part of the claimed design.

1 Claim, 2 Drawing Sheets



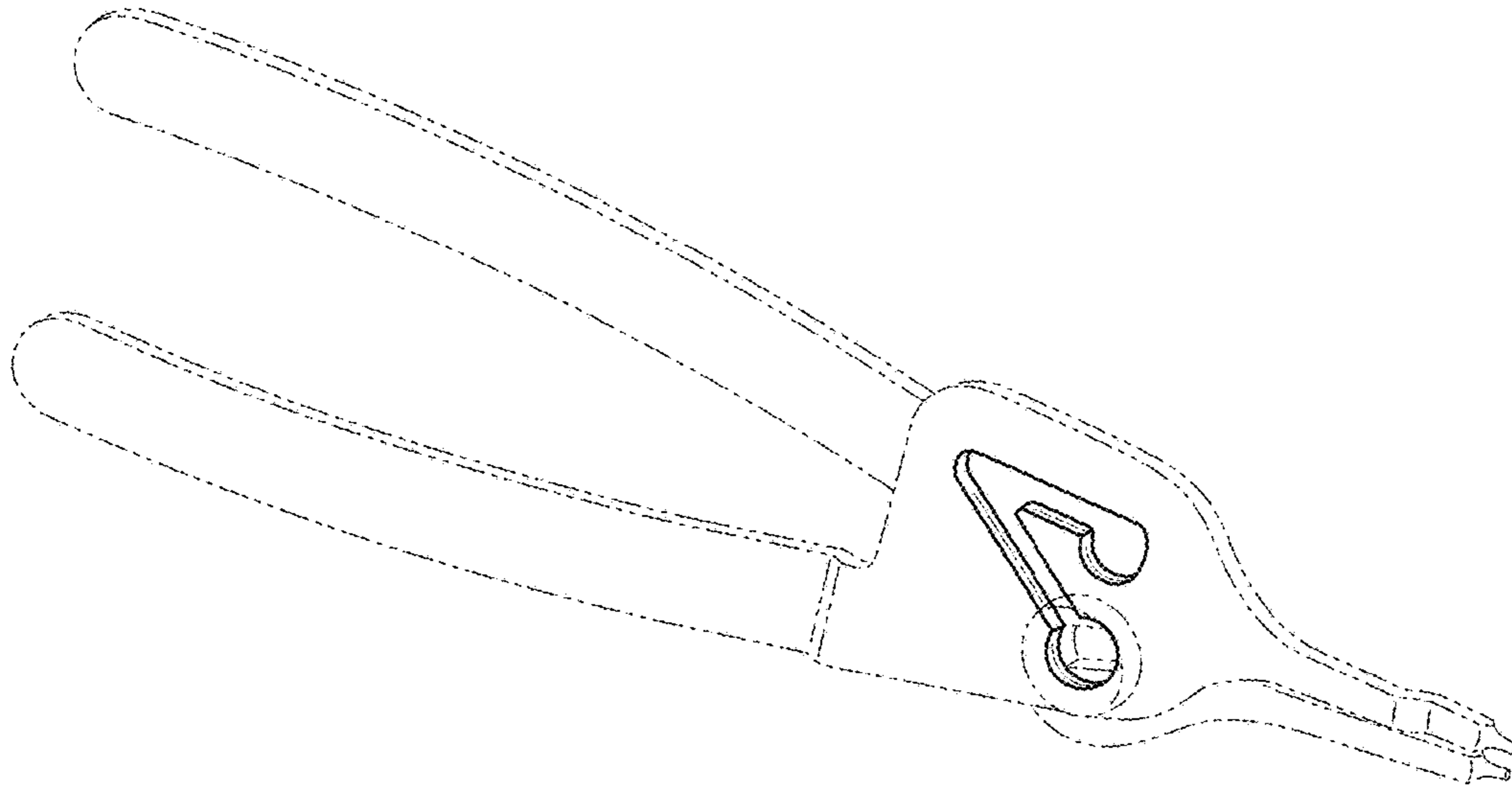


Fig. 1

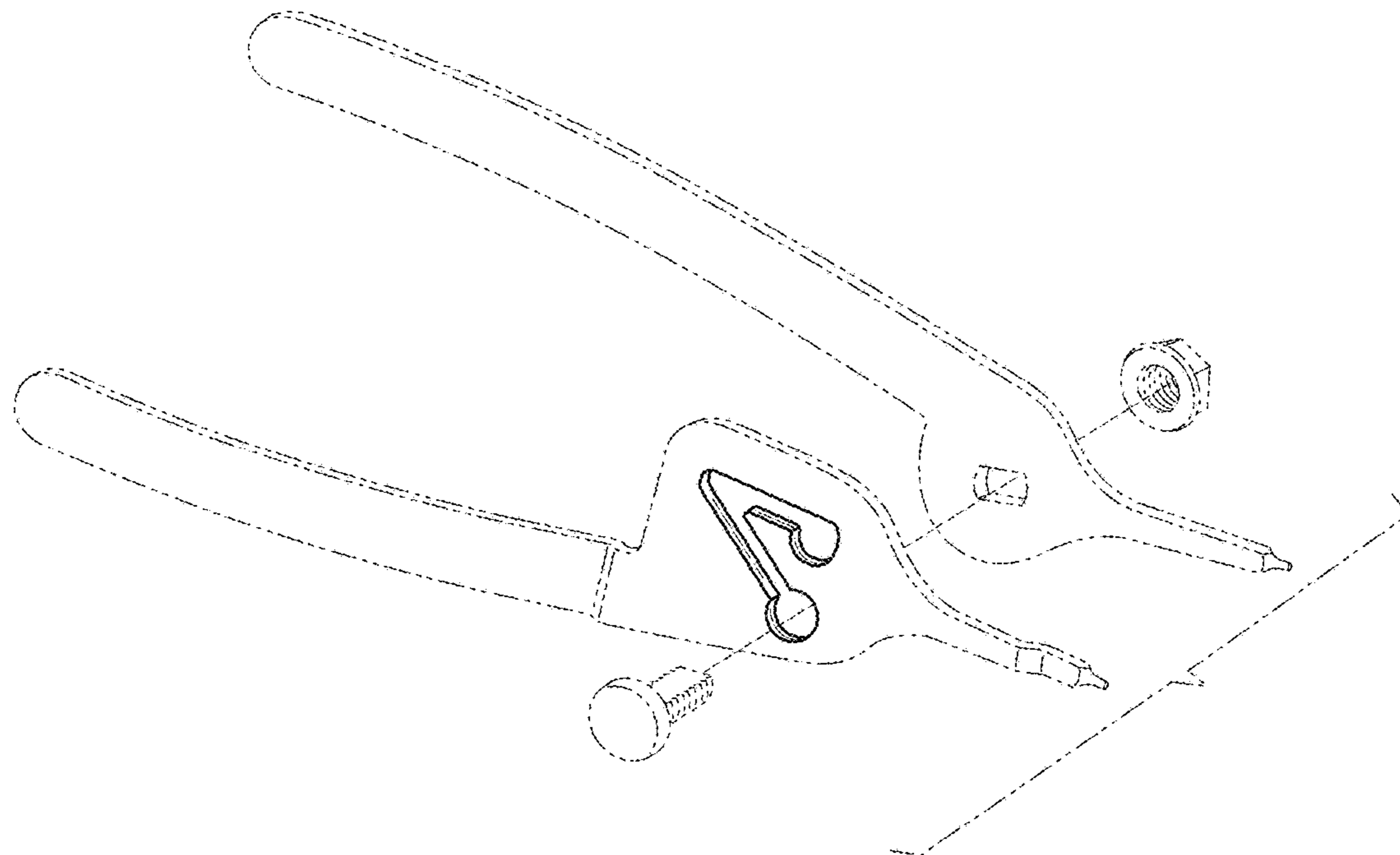


Fig. 2

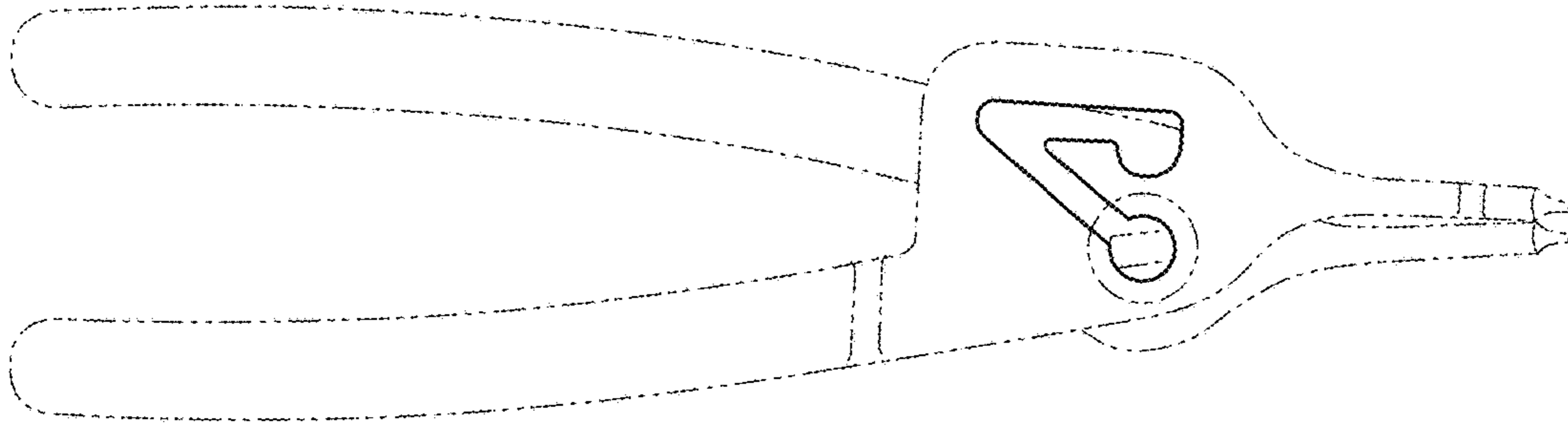


Fig. 3

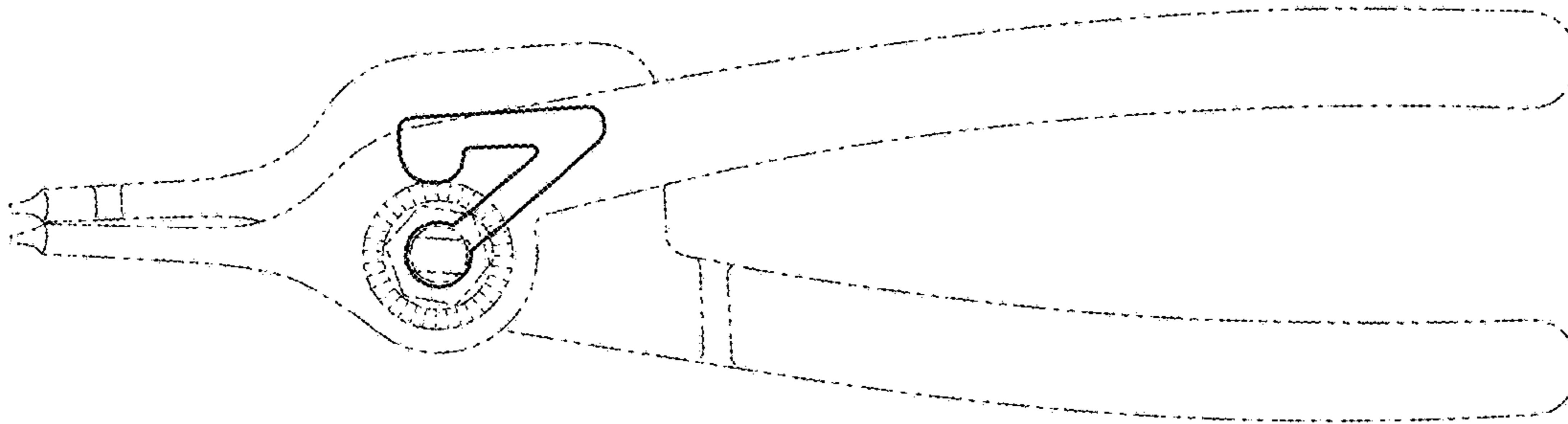


Fig. 4