



US00D775497S

(12) **United States Design Patent** (10) **Patent No.:** **US D775,497 S**
Roche et al. (45) **Date of Patent:** **** Jan. 3, 2017**

(54) **NAPKIN DISPENSER**
 (71) Applicant: **Georgia-Pacific Consumer Products LP**, Atlanta, GA (US)
 (72) Inventors: **Nathan Patrick Roche**, Atlanta, GA (US); **Nickolas Everett Madsen**, Atlanta, GA (US)
 (73) Assignee: **GEORGIA-PACIFIC CONSUMER PRODUCTS LP**, Atlanta, GA (US)

D666,050 S * 8/2012 Cionfoli D7/309
 D674,231 S * 1/2013 Wilder D7/306
 2005/0150898 A1 * 7/2005 Young B65D 83/0811
 2006/0086748 A1 * 4/2006 Burns A47K 10/426
 2006/0273100 A1 * 12/2006 Cittadino A47K 10/426
 2008/0067186 A1 * 3/2008 Schaefers A47K 10/427
 2015/0102048 A1 4/2015 Case et al.
 * cited by examiner

(**) Term: **14 Years**

Primary Examiner — Ian Simmons
Assistant Examiner — Janice Lim

(21) Appl. No.: **29/512,486**

(22) Filed: **Dec. 19, 2014**

(57) **CLAIM**

(51) **LOC (10) Cl.** **07-06**

The ornamental design for a napkin dispenser, as shown and described.

(52) **U.S. Cl.**

USPC **D7/631**

(58) **Field of Classification Search**

USPC D7/631, 637–641; D9/733, 734; 206/449, 206/494; 211/49.1, 50; 221/33, 45, 46
 CPC A47K 10/24; A47K 10/42; A47K 10/426; A47K 10/427

See application file for complete search history.

DESCRIPTION

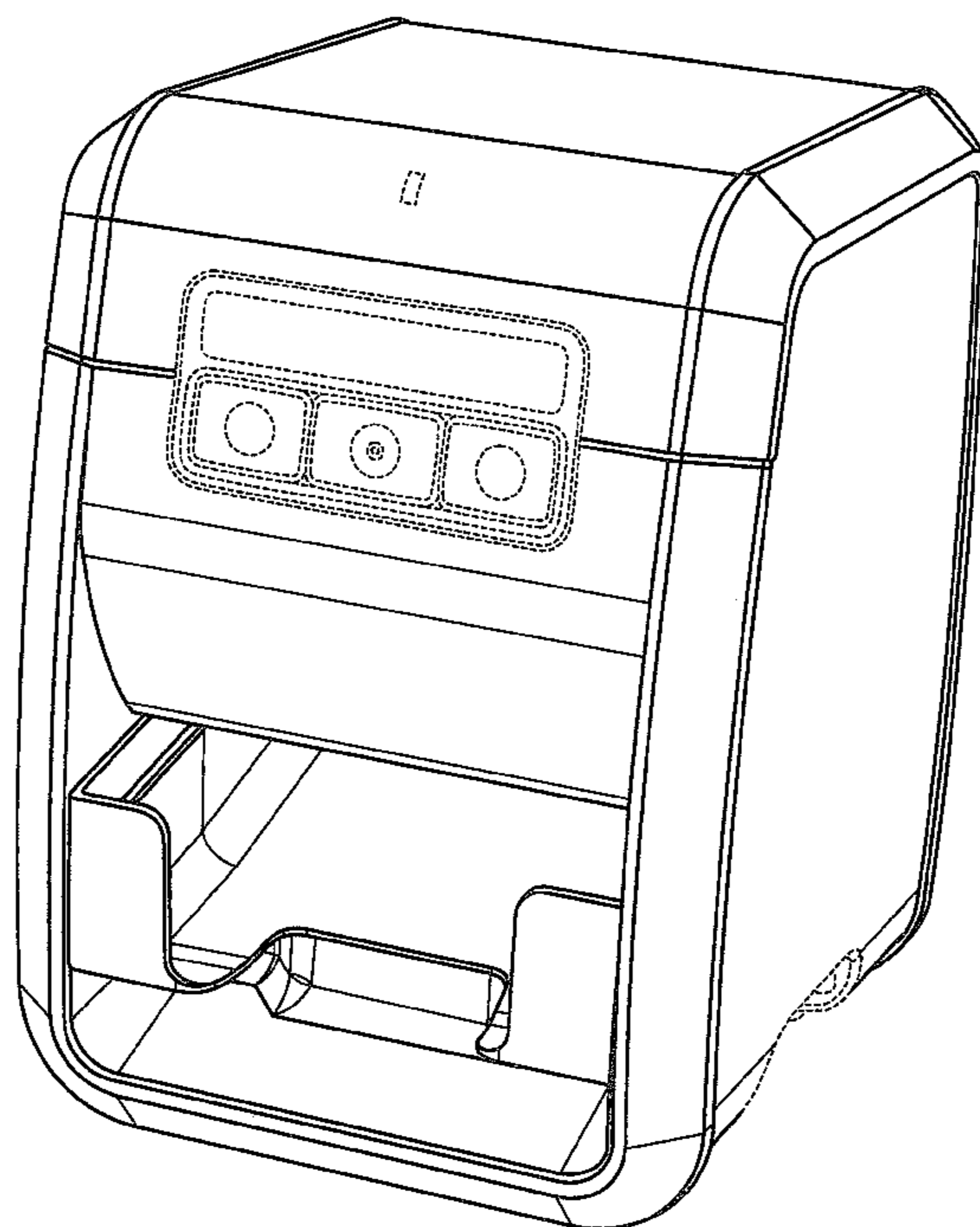
FIG. 1 is a perspective view of a napkin dispenser, showing our new design;
 FIG. 2 is a front view thereof;
 FIG. 3 is a rear view thereof;
 FIG. 4 is a right side view thereof;
 FIG. 5 is a left side view thereof;
 FIG. 6 is a top view thereof; and,
 FIG. 7 is a bottom view thereof.
 The broken line portions are included to show unclaimed subject matter only and form no part of the claimed design.

(56) **References Cited**

U.S. PATENT DOCUMENTS

D113,757 S * 3/1939 Morris D7/631
 D216,918 S * 3/1970 Burkhalter D6/522
 D348,379 S * 7/1994 Parella D7/631
 6,257,443 B1 * 7/2001 LaCount A47K 10/427
 221/35

1 Claim, 7 Drawing Sheets



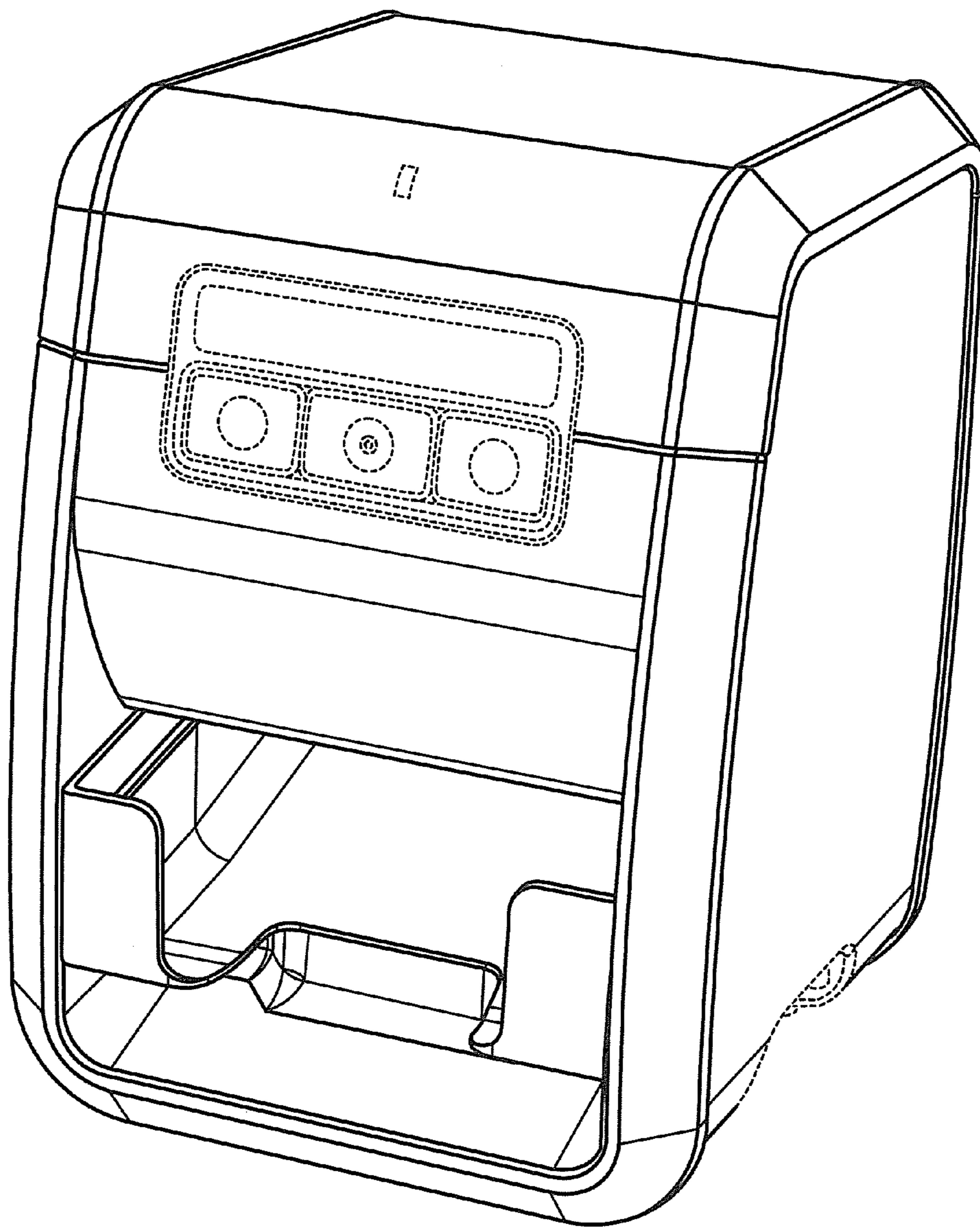


FIG. 1

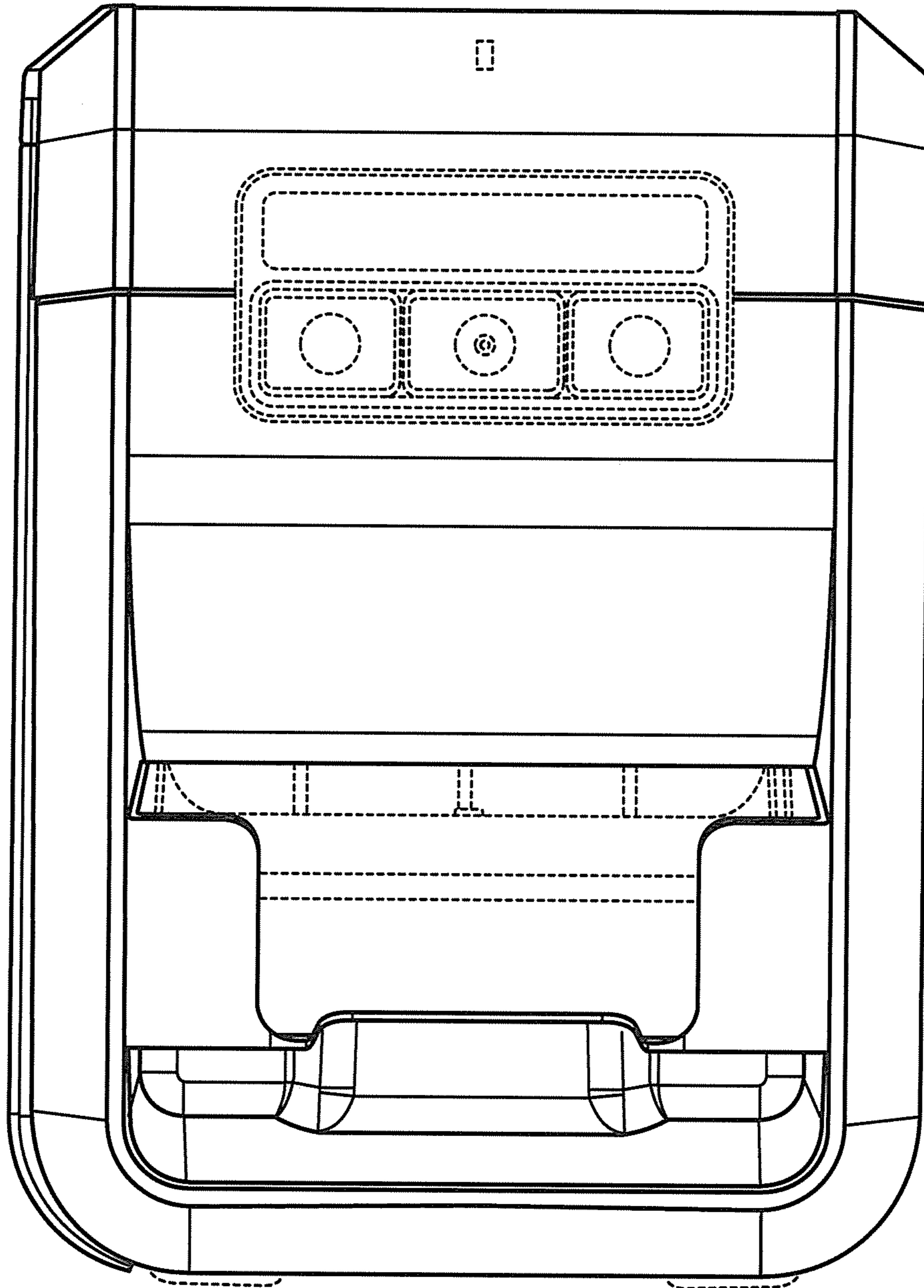


FIG. 2

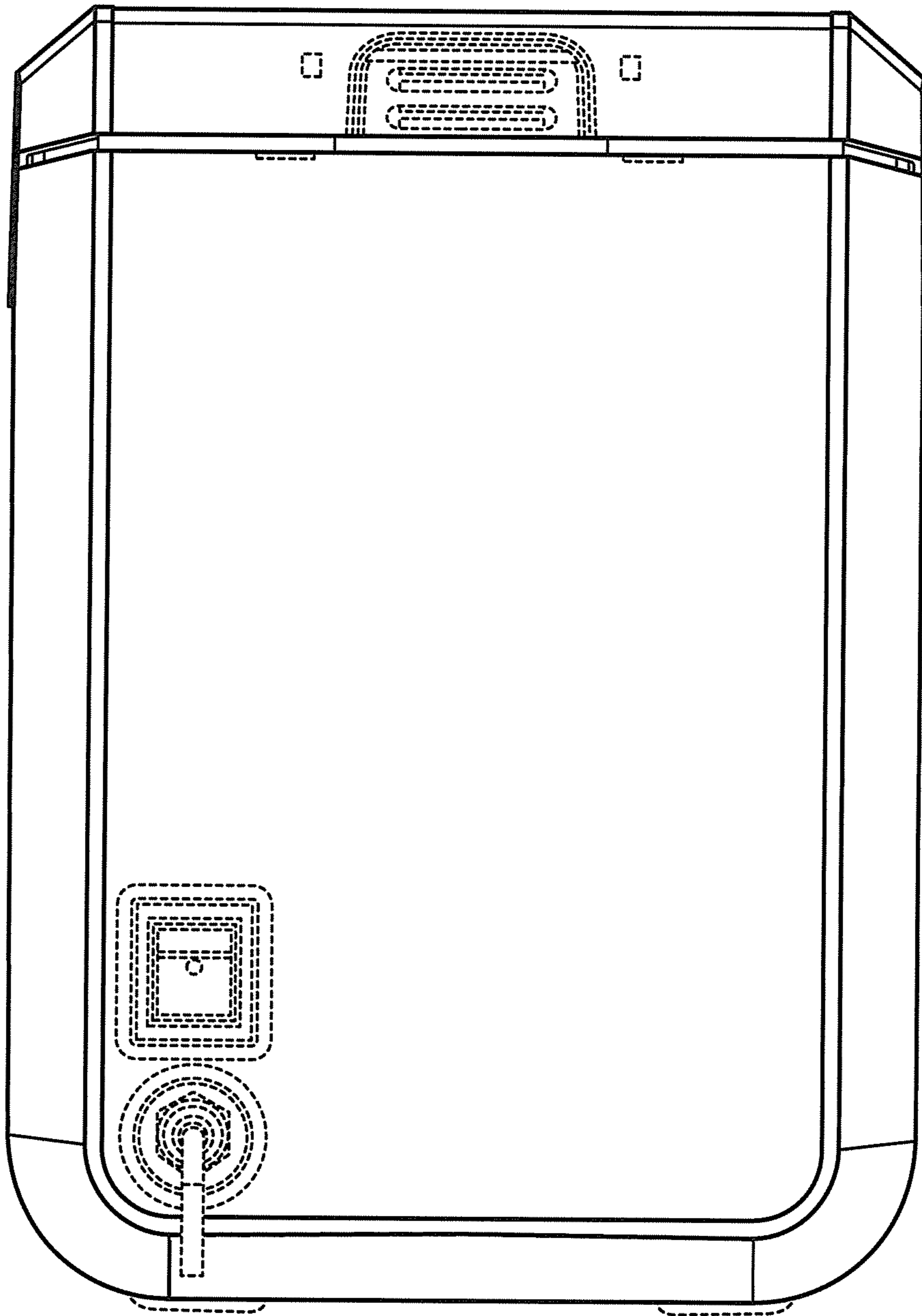


FIG. 3

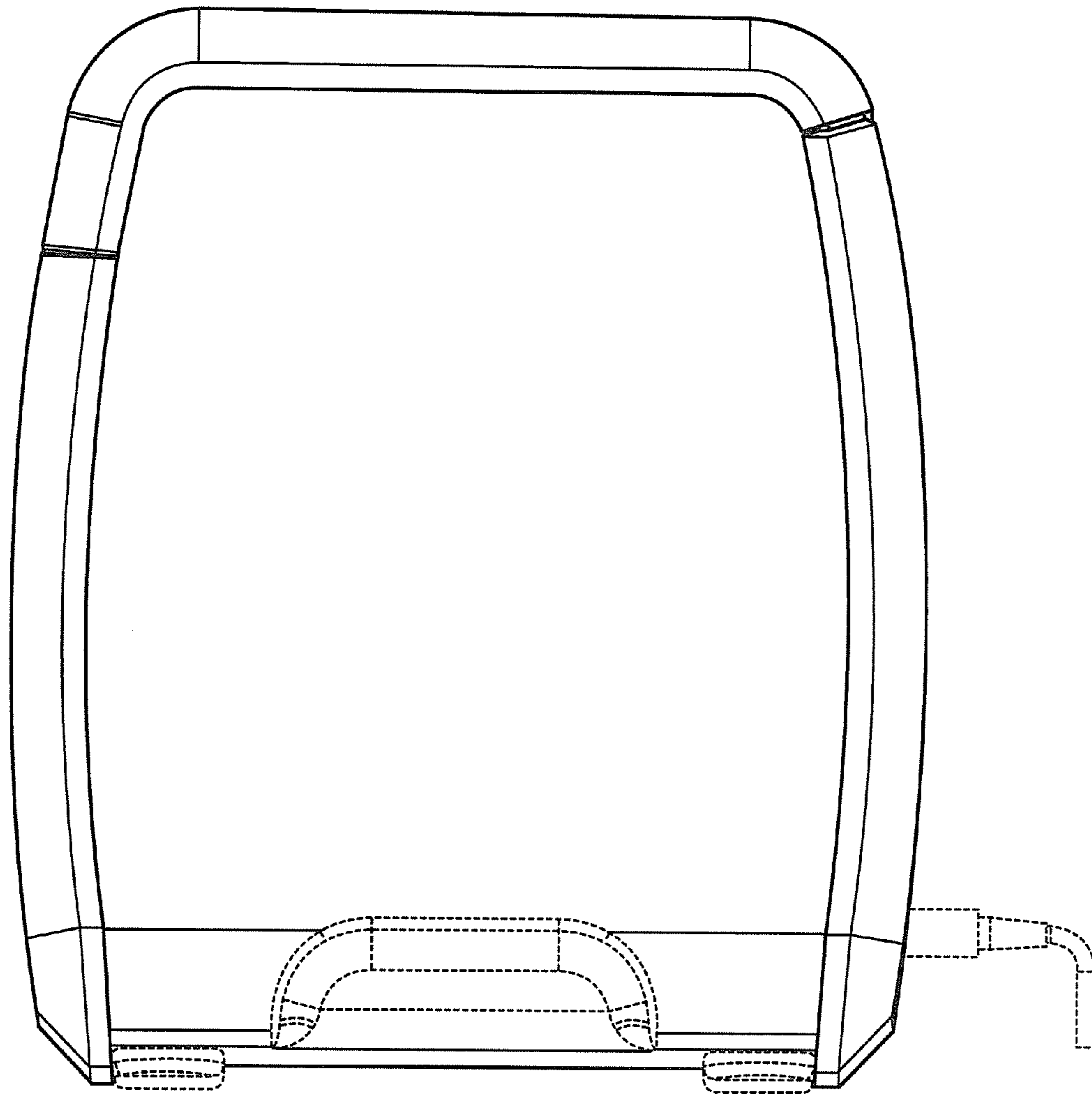


FIG. 4

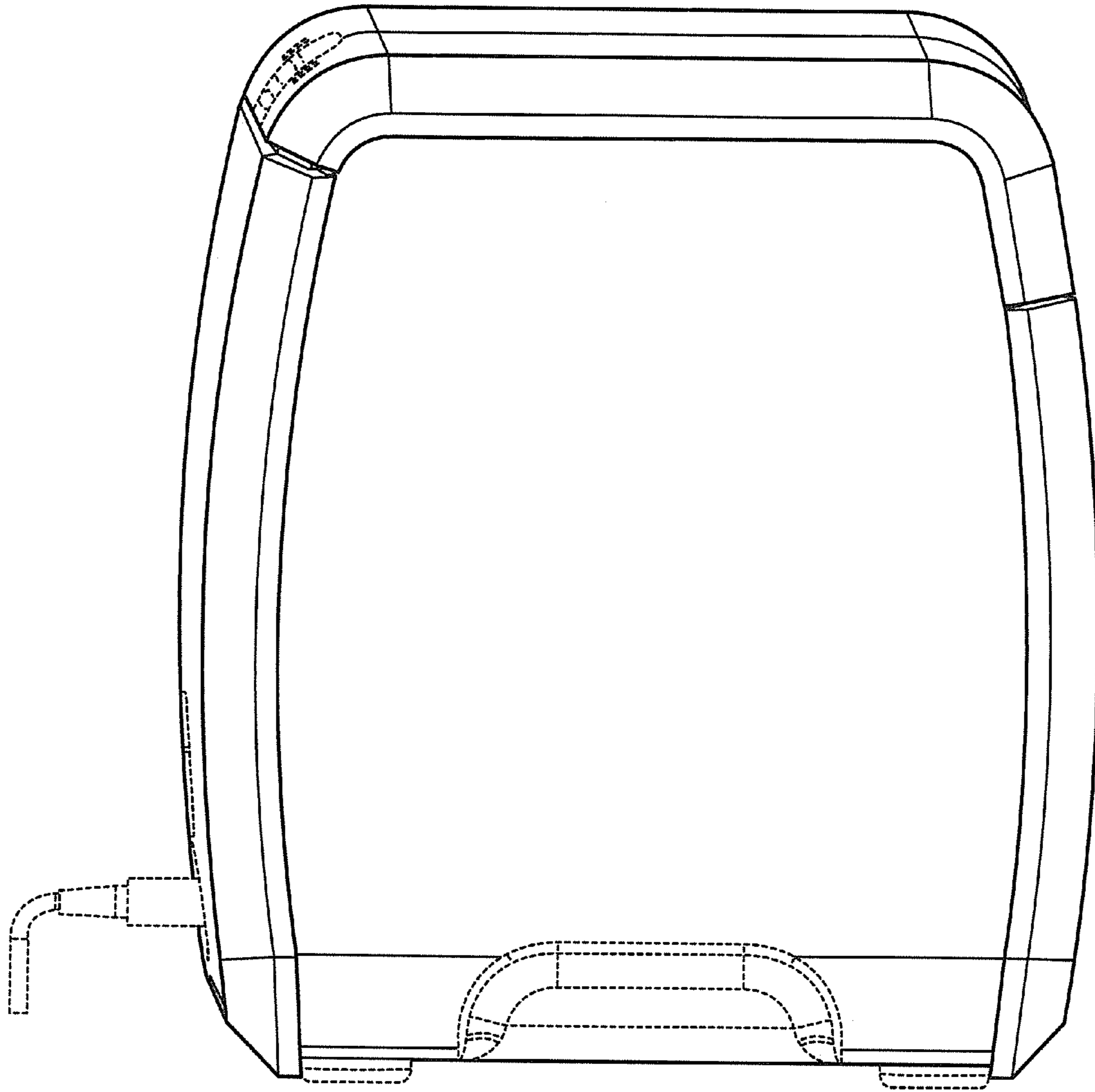


FIG. 5

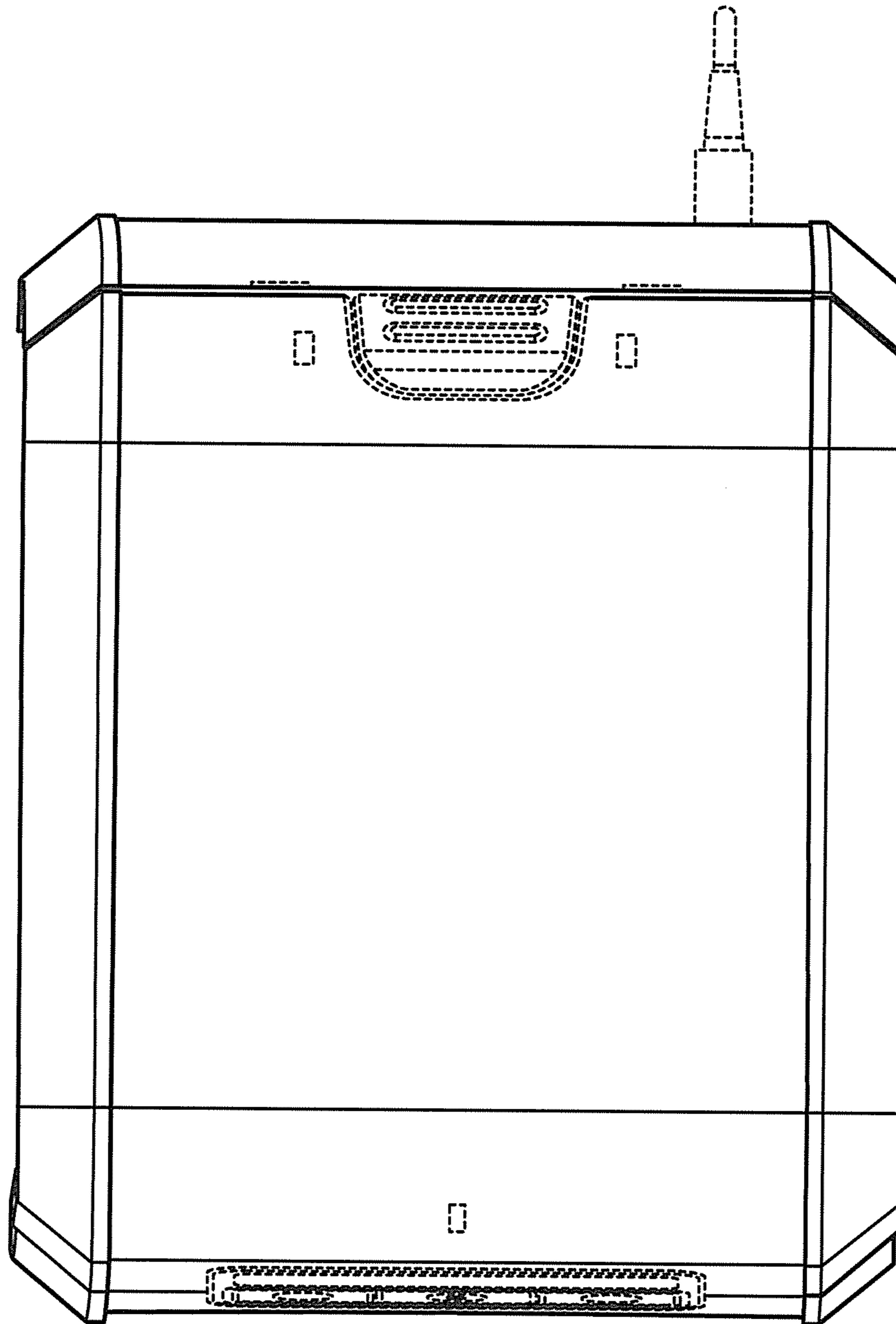


FIG. 6

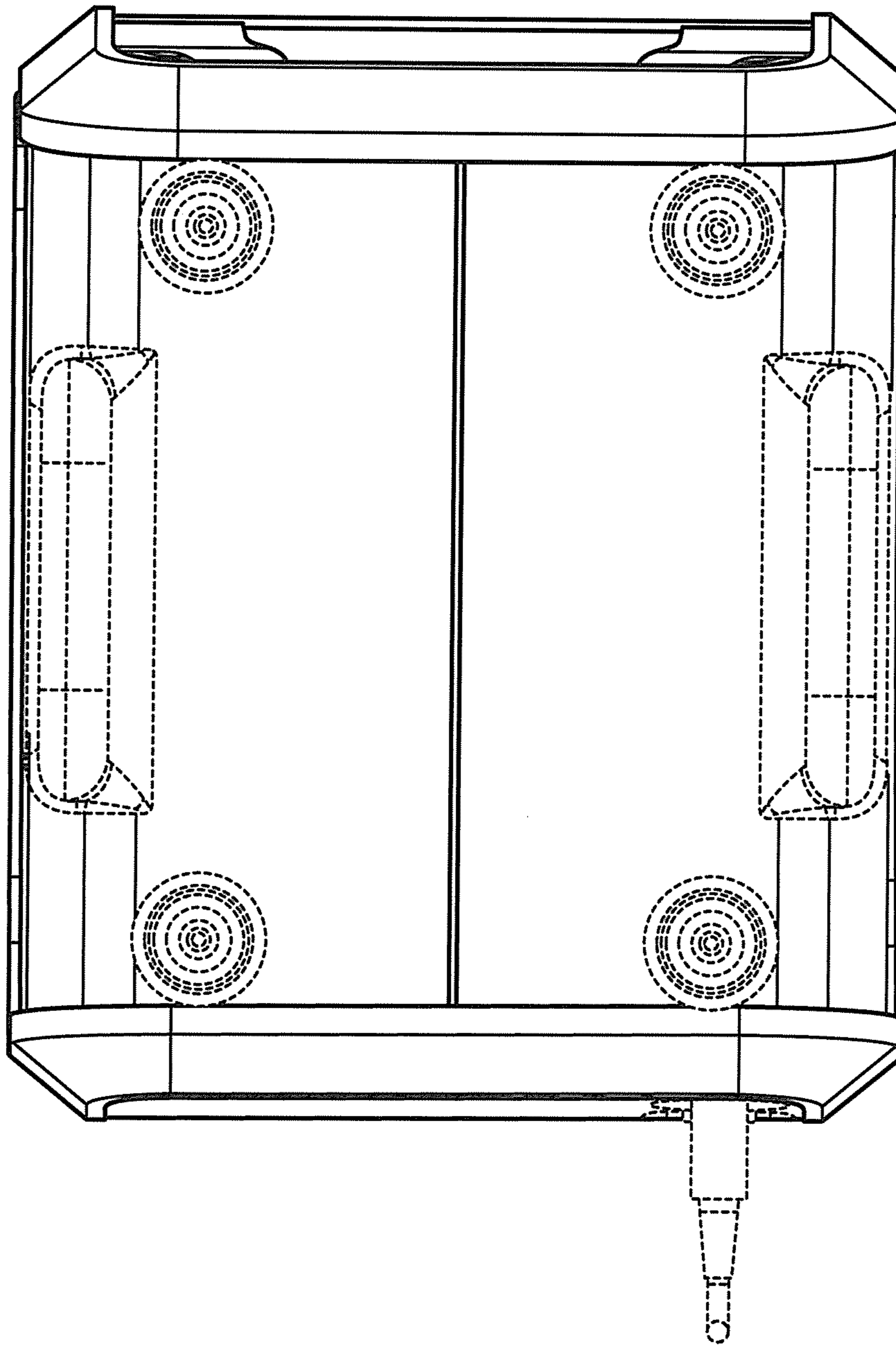


FIG. 7