



US00D775496S

(12) **United States Design Patent**
Szucs et al.

(10) **Patent No.:** **US D775,496 S**
(45) **Date of Patent:** **** Jan. 3, 2017**

(54) **JAR**

(71) Applicant: **Parallax Group International, LLC**,
San Juan Capistrano, CA (US)

(72) Inventors: **Peter Szucs**, Burbank, CA (US); **Bruce A. Thrush**, San Juan Capistrano, CA (US)

(73) Assignee: **PARALLAX GROUP INTERNATIONAL, LLC**, San Juan Capistrano, CA (US)

(**) Term: **14 Years**

(21) Appl. No.: **29/516,660**

(22) Filed: **Feb. 4, 2015**

(51) **LOC (10) Cl.** **07-01**

(52) **U.S. Cl.**
USPC **D7/629**

(58) **Field of Classification Search**

USPC D7/629, 602, 630, 538-542, 601, 605, D7/606, 607, 608; D9/415-419, 424-432, D9/516, 519, 520, 521, 522, 529, 530, D9/537, 538, 539, 540, 541, 542, 543, D9/549, 559, 575
CPC ... B65D 1/26; B65D 43/0206; B65D 43/0214; B65D 43/00; B65D 1/00; B65D 1/22; B65D 1/32; B65D 1/14; B65D 1/24; B65D 1/34; B65D 3/00; B65D 3/02; B65D 3/28; B65D 5/00; B65D 5/0085; B65D 5/009; B65D 5/18; B65D 7/00; B65D 7/02; B65D 11/00; B65D 11/02; B65D 11/10; B65D 39/00; B65D 25/38; B65D 11/20; B65D 77/065; B65D 2209/00; B65D 2/08; B65D 75/527; B65D 75/5883; B65D 75/566; B65D 43/163; B65D 2543/00231; B65D 51/24; B65D 33/16; B65D 33/1666; A47J 47/02; A47J 47/08; A47J 47/10; A47G 19/00; A47G 19/32; A47G 23/00

See application file for complete search history.

(56) **References Cited**

U.S. PATENT DOCUMENTS

3,912,118 A * 10/1975 Bird B65D 43/0212
206/508
D254,180 S * 2/1980 Morin D7/612
4,606,481 A * 8/1986 Conti A47J 47/02
222/562
D288,139 S * 2/1987 van Berne D32/53
4,714,181 A 12/1987 Kozlowski et al.
4,802,608 A 2/1989 Hofmann
D312,400 S * 11/1990 Schwaikert D9/424

(Continued)

OTHER PUBLICATIONS

<http://www.ikea.com/us/en/catalog/products/20152870/>, IDEA
365+ Ihärdig Spice jar, Downloaded on Oct. 27, 2014.

(Continued)

Primary Examiner — Lakiya Rogers

Assistant Examiner — Shannon Morgan

(74) *Attorney, Agent, or Firm* — Fish & Tsang LLP

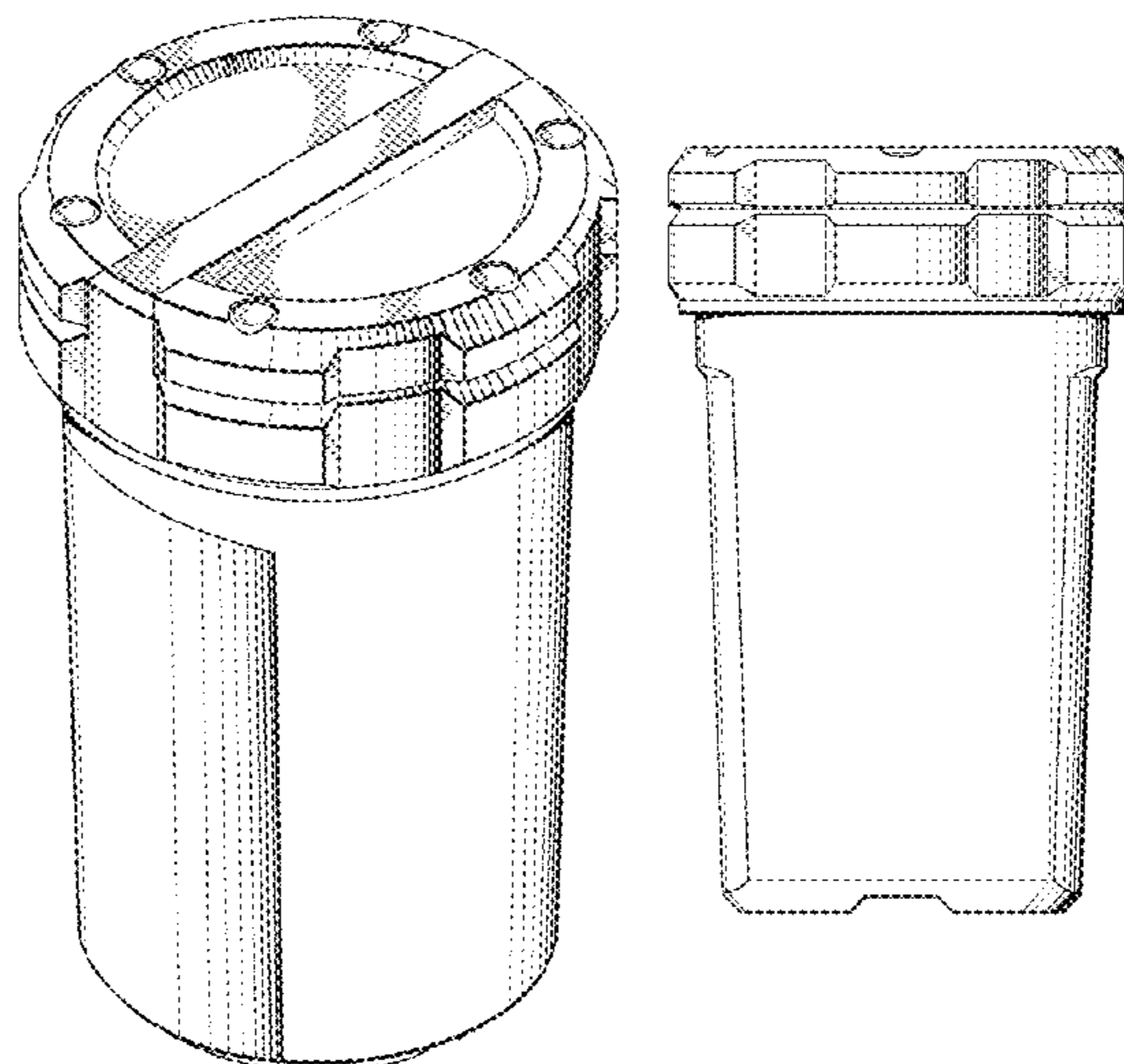
(57) **CLAIM**

We claim the ornamental design for a jar, as shown and described.

DESCRIPTION

FIG. 1 is a top, front, left side, perspective view of a jar. FIG. 2 is a front elevational view of FIG. 1, the rear elevational view being an identical mirror image of FIG. 1. FIG. 3 is a left side elevational view of FIG. 1, the right side elevational view being an identical mirror image. FIG. 4 is a top plan view of FIG. 1; and, FIG. 5 is a bottom plan view of FIG. 1. The broken lines shown in FIG. 5 represent portions of the jar that form no part of the claimed design.

1 Claim, 3 Drawing Sheets



(56)

References Cited

U.S. PATENT DOCUMENTS

D313,353 S * 1/1991 Hart D32/53.1
 D347,359 S * 5/1994 Robbins, III D7/512
 D353,743 S * 12/1994 Jochem D7/612
 5,409,126 A * 4/1995 DeMars B65D 21/0219
 206/499
 D375,873 S * 11/1996 Ahern, Jr. D7/602
 D381,872 S * 8/1997 Lin D7/612
 D513,593 S * 1/2006 Weber D9/529
 D527,588 S * 9/2006 de Groot D7/629
 D557,076 S * 12/2007 Wahl D7/615
 D562,144 S * 2/2008 Lane D9/556
 D583,200 S * 12/2008 Moran D7/629
 D587,534 S * 3/2009 Carreno D7/608
 D593,811 S * 6/2009 Carreno D7/608
 D622,554 S * 8/2010 Carreno D7/629
 D629,657 S * 12/2010 Carreno D7/629
 D651,050 S * 12/2011 Goshi D7/608
 D658,014 S * 4/2012 Miga, Jr. D7/629

D666,061 S * 8/2012 Ying D7/629
 D679,960 S * 4/2013 Hopkins D7/629
 D680,387 S * 4/2013 Hopkins D7/629
 2003/0234195 A1 12/2003 Earl et al.
 2013/0062304 A1* 3/2013 Meyers B65D 43/00
 215/240

OTHER PUBLICATIONS

<http://ex-scapes.com/2014/05/10/make-your-own-spice-jars-diy/>,
 Make Your Own Spice Jars DIY | exscapes, Butterflyblues Etsy
 Shop, Downloaded on Oct. 27, 2014.
[http://chinagama.en.alibaba.com/product/51645428-209379204/](http://chinagama.en.alibaba.com/product/51645428-209379204/Multi_Chamber_Spices_Jar_html)
 Multi_Chamber_Spices_Jar_html, Multi-Chamber Spices Jar,
 Chinagama Industrial Corporation, Downloaded on Oct. 27, 2014.
<http://www.doorsixteen.com/2009/01/28/spice-jars/>,
 Rationell Variera spice racks, Spice jars. | Door Sixteen, Down-
 loaded on Oct. 27, 2014.

* cited by examiner

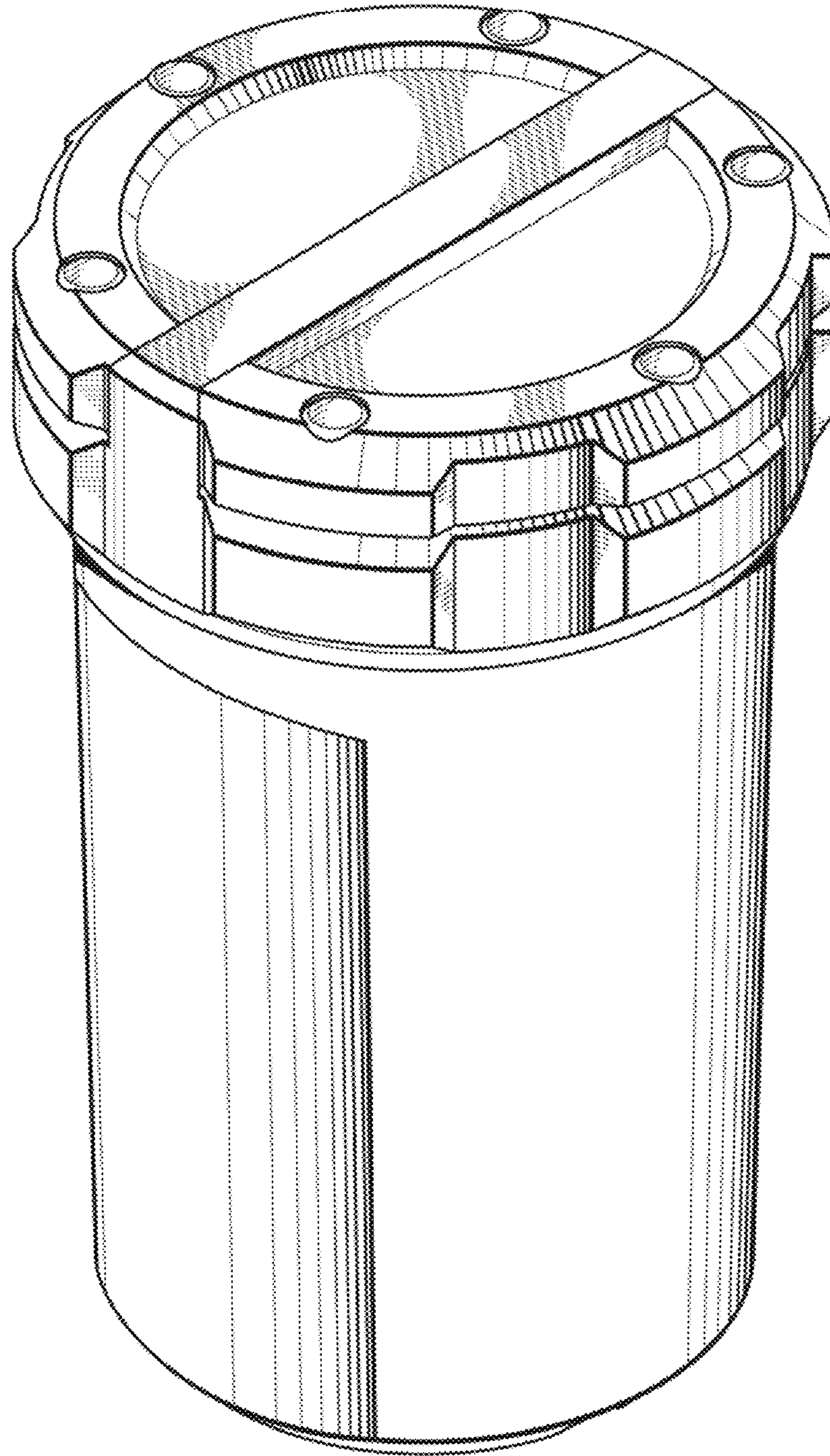


FIG. 1

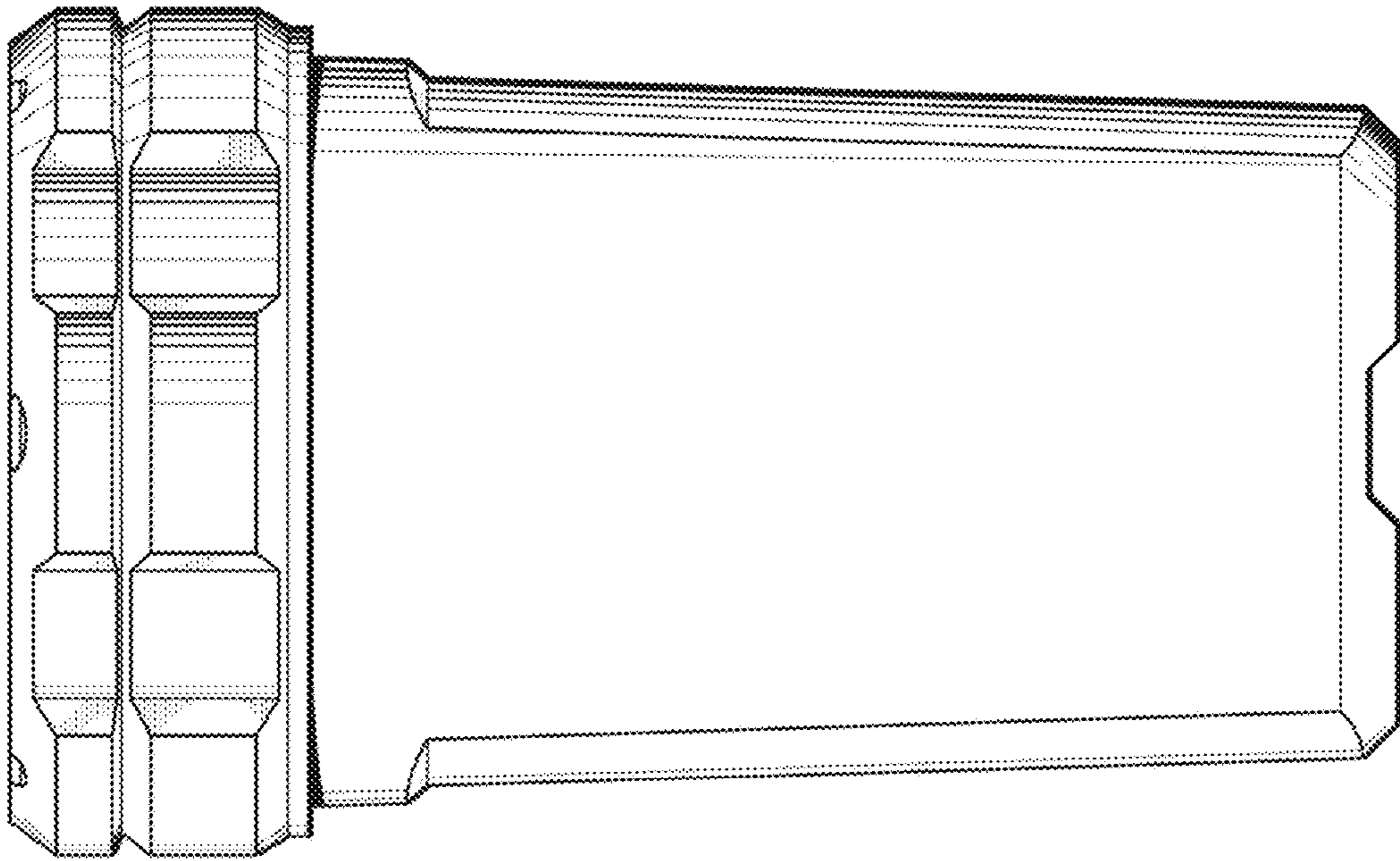


FIG. 3

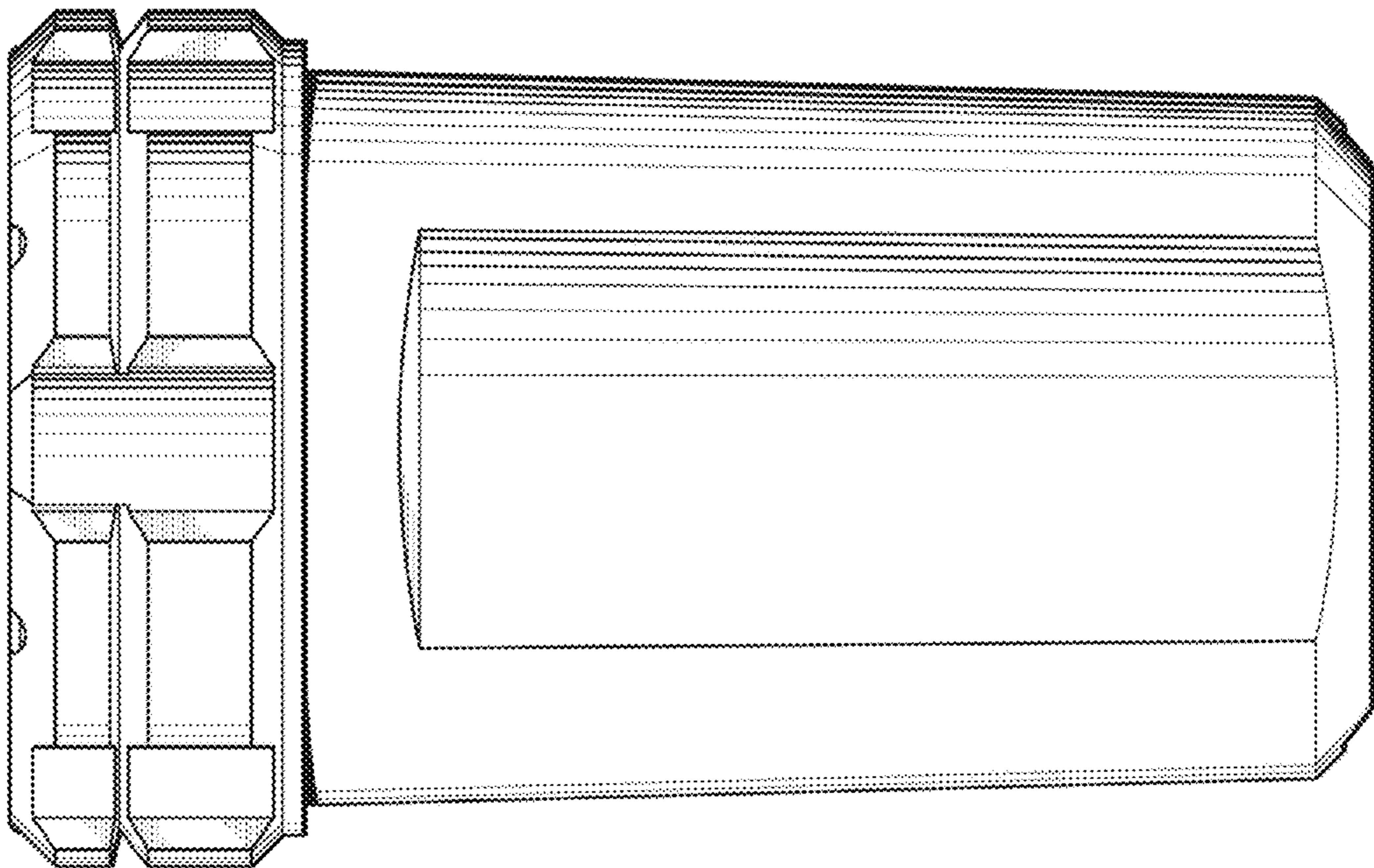


FIG. 2

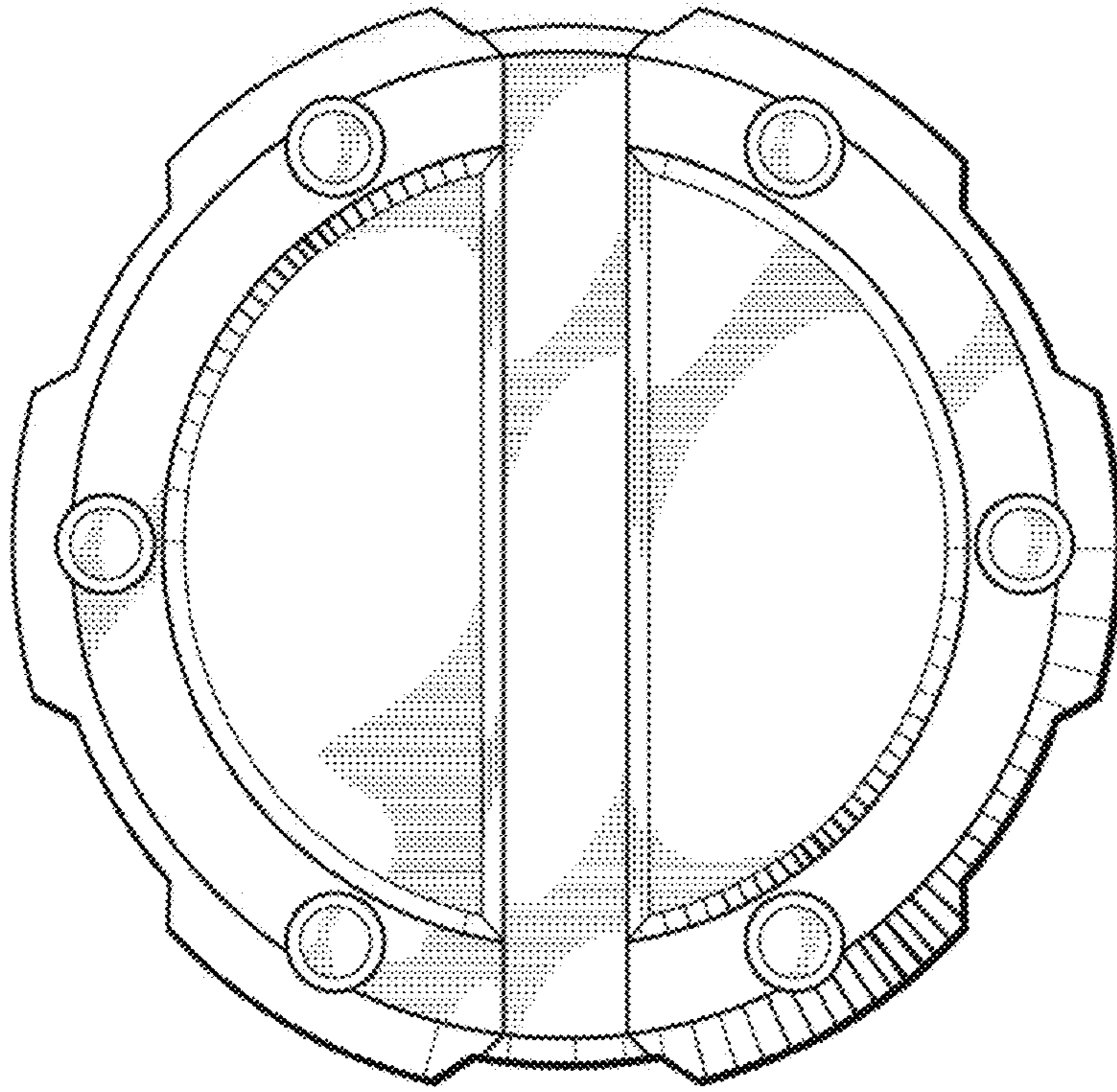


FIG. 4

FIG. 5

