



US00D775495S

(12) **United States Design Patent**
Boroski et al.

(10) **Patent No.:** **US D775,495 S**
(45) **Date of Patent:** **** Jan. 3, 2017**

(54) **BOTTLE**

(71) Applicant: **THERMOS L.L.C.**, Schaumburg, IL (US)

(72) Inventors: **Dwayne Boroski**, Lake in the Hills, IL (US); **Marvin Lane**, Wheeling, IL (US)

(73) Assignee: **THERMOS L.L.C.**, Schaumburg, IL (US)

(**) Term: **15 Years**

(21) Appl. No.: **29/556,528**

(22) Filed: **Mar. 1, 2016**

(51) **LOC (10) Cl.** **07-01**

(52) **U.S. Cl.**
USPC **D7/529**; D7/530; D9/552

(58) **Field of Classification Search**
USPC D7/507–512, 529–532, 533, 536, 213, D7/392.1, 396.1, 396.2, 396.4, 900, 608; D9/503, 504, 555, 568, 554, 567, 904, D9/453, 442, 443, 773, 434, 435, 440, D9/444, 447, 449, 526, 552, 571; D3/202; D24/197, 122; 220/592.16, 592.17, 220/592.27; 215/381–384
CPC B65D 23/00; B65D 47/066; B65D 41/04; B65D 41/0414; B65D 47/08; A45F 3/16
See application file for complete search history.

(56) **References Cited**

U.S. PATENT DOCUMENTS

| | | | |
|--------------|---------|---------------|--------|
| D216,407 S | 12/1969 | Eberhard | |
| D262,192 S | 12/1981 | Wedge | |
| D262,932 S | 2/1982 | Daenen | |
| D283,596 S | 4/1986 | Fortuna | |
| D286,508 S | 11/1986 | Tilden | |
| D308,828 S | 6/1990 | Magnusson | |
| D318,980 S * | 8/1991 | Unger | D7/535 |
| D332,215 S | 1/1993 | Halvorson | |
| D346,801 S | 5/1994 | Traina | |
| D364,781 S | 12/1995 | Fenton et al. | |

| | | | |
|--------------|---------|-----------------|--------|
| D468,588 S | 1/2003 | Norris | |
| D492,158 S * | 6/2004 | Bodum | D7/510 |
| D531,451 S * | 11/2006 | Bin | D7/510 |
| D534,396 S | 1/2007 | Kramer | |
| D538,110 S | 3/2007 | Kitamura et al. | |
| D544,302 S | 6/2007 | Gibbons | |
| D549,048 S | 8/2007 | Duke et al. | |
| D555,430 S | 11/2007 | Tien | |
| D567,589 S | 4/2008 | Freeman | |
| D584,613 S | 1/2009 | Yan | |
| D587,069 S * | 2/2009 | Bodum | D7/510 |
| D590,661 S | 4/2009 | Kitamura et al. | |
| D602,782 S * | 10/2009 | Lepoitevin | D9/453 |
| D604,561 S | 11/2009 | Chisholm | |
| D609,053 S * | 2/2010 | Dingenouts | D7/509 |

(Continued)

OTHER PUBLICATIONS

U.S. Appl. No. 29/556,513, filed Mar. 1, 2016 (43 pages).
(Continued)

Primary Examiner — Marianne Pandozzi
Assistant Examiner — Jae Liang
(74) *Attorney, Agent, or Firm* — Polsinelli PC

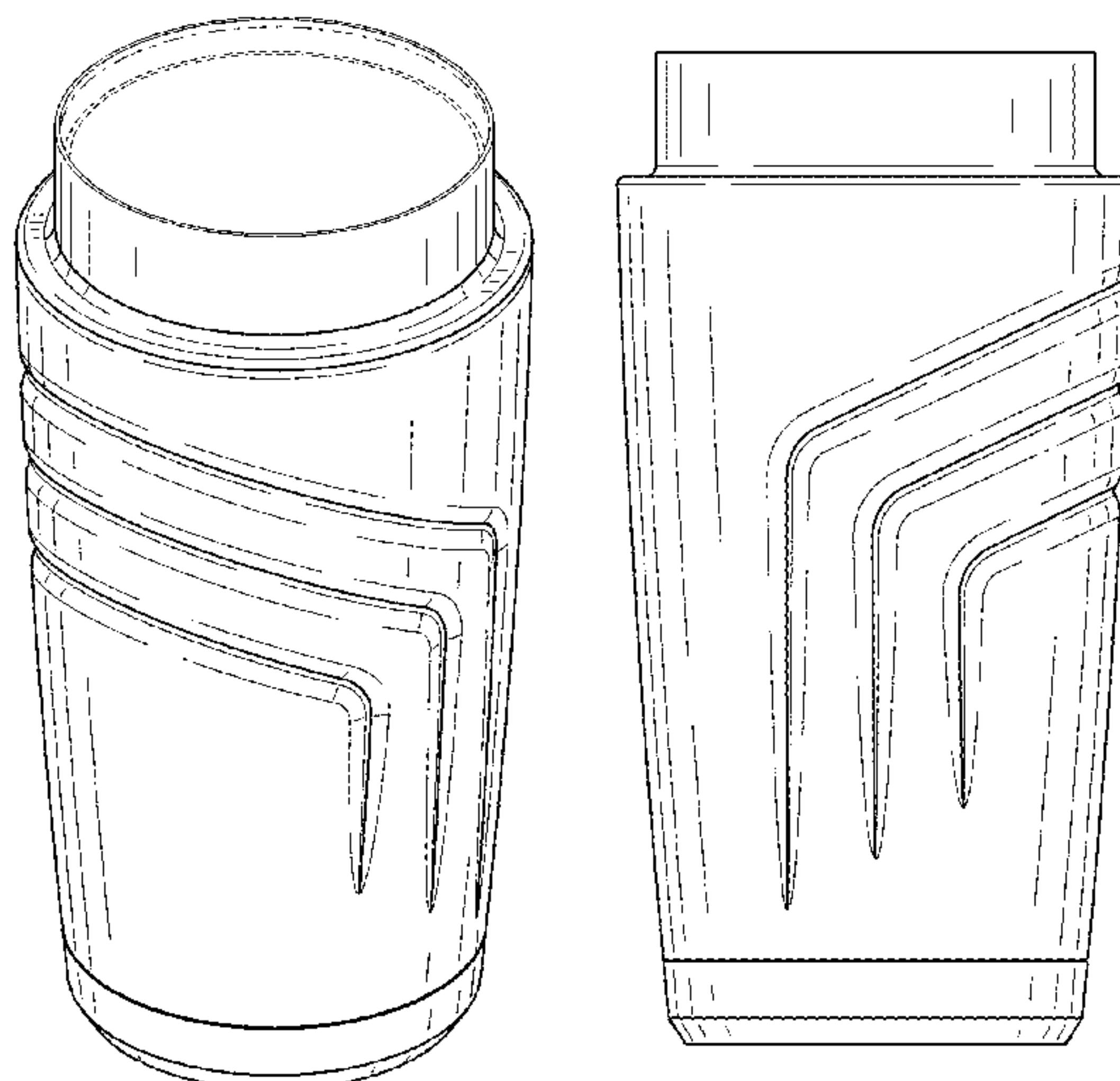
(57) **CLAIM**

The ornamental design for a bottle, as shown and described.

DESCRIPTION

FIG. 1 is a top perspective view of a bottle showing our new design;
FIG. 2 is a front view thereof;
FIG. 3 is a rear view thereof;
FIG. 4 is a left side view thereof;
FIG. 5 is a right side view thereof;
FIG. 6 is a top view thereof; and,
FIG. 7 is a bottom view thereof.
The broken lines in the drawing depict portions of the bottle that form no part of the claimed design. The dash-dot lines in the drawing depict bounds of the claimed design that form no part of the claim.

1 Claim, 4 Drawing Sheets



(56)

References Cited

U.S. PATENT DOCUMENTS

D617,144 S * 6/2010 O'Connor D7/396.2
 D619,418 S 7/2010 Nezu et al.
 D622,545 S * 8/2010 Wahl D7/510
 D622,553 S 8/2010 Bollenbacher
 D630,044 S 1/2011 Lane
 D630,473 S * 1/2011 Poppie D7/525
 D637,455 S 5/2011 Lipson
 D639,113 S * 6/2011 Hayes D7/509
 D642,472 S 8/2011 Concin
 D642,473 S * 8/2011 Vanhooland D9/516
 8,016,148 B2 9/2011 Walsh
 D649,881 S 12/2011 Rinderer
 D655,569 S 3/2012 Lipson
 D655,581 S 3/2012 Kotani
 D656,025 S 3/2012 Carreno
 D658,445 S 5/2012 Carreno
 D660,081 S 5/2012 Gilbert
 D660,082 S 5/2012 Wahl
 D660,705 S 5/2012 Simmons
 D672,648 S 12/2012 Goto
 D675,865 S 2/2013 Wahl
 D686,872 S 7/2013 Lane
 8,474,648 B1 7/2013 Ritzen
 D688,949 S 9/2013 Johnson
 D690,557 S 10/2013 Carreno
 D695,069 S 12/2013 Lane

D699,516 S 2/2014 Kim
 D700,802 S 3/2014 Miller
 D702,505 S 4/2014 Nakatani
 D707,492 S 6/2014 George
 D710,653 S 8/2014 Goto
 D718,626 S 12/2014 Lane
 D722,249 S * 2/2015 Valderrama D7/396.2
 D725,966 S 4/2015 Boroski
 D727,685 S 4/2015 He
 D734,154 S 7/2015 Johnson
 D735,580 S * 8/2015 Bourne D9/538
 D740,073 S * 10/2015 Zorovich D7/507
 D744,290 S 12/2015 Endo
 D752,446 S * 3/2016 Jasso Gomez D9/543
 2010/0206874 A1 * 8/2010 Masurier A47G 19/2272
 220/203.01
 2010/0219153 A1 * 9/2010 Mooney B65D 1/0223
 215/381
 2016/0000245 A1 1/2016 Sims
 2016/0115008 A1 4/2016 Bohem

OTHER PUBLICATIONS

U.S. Appl. No. 29/523,348, filed Apr. 8, 2015 (16 pages).
 U.S. Appl. No. 29/523,349, filed Apr. 8, 2015 (16 pages).
 U.S. Appl. No. 29/523,228, filed Apr. 7, 2015 (16 pages).

* cited by examiner

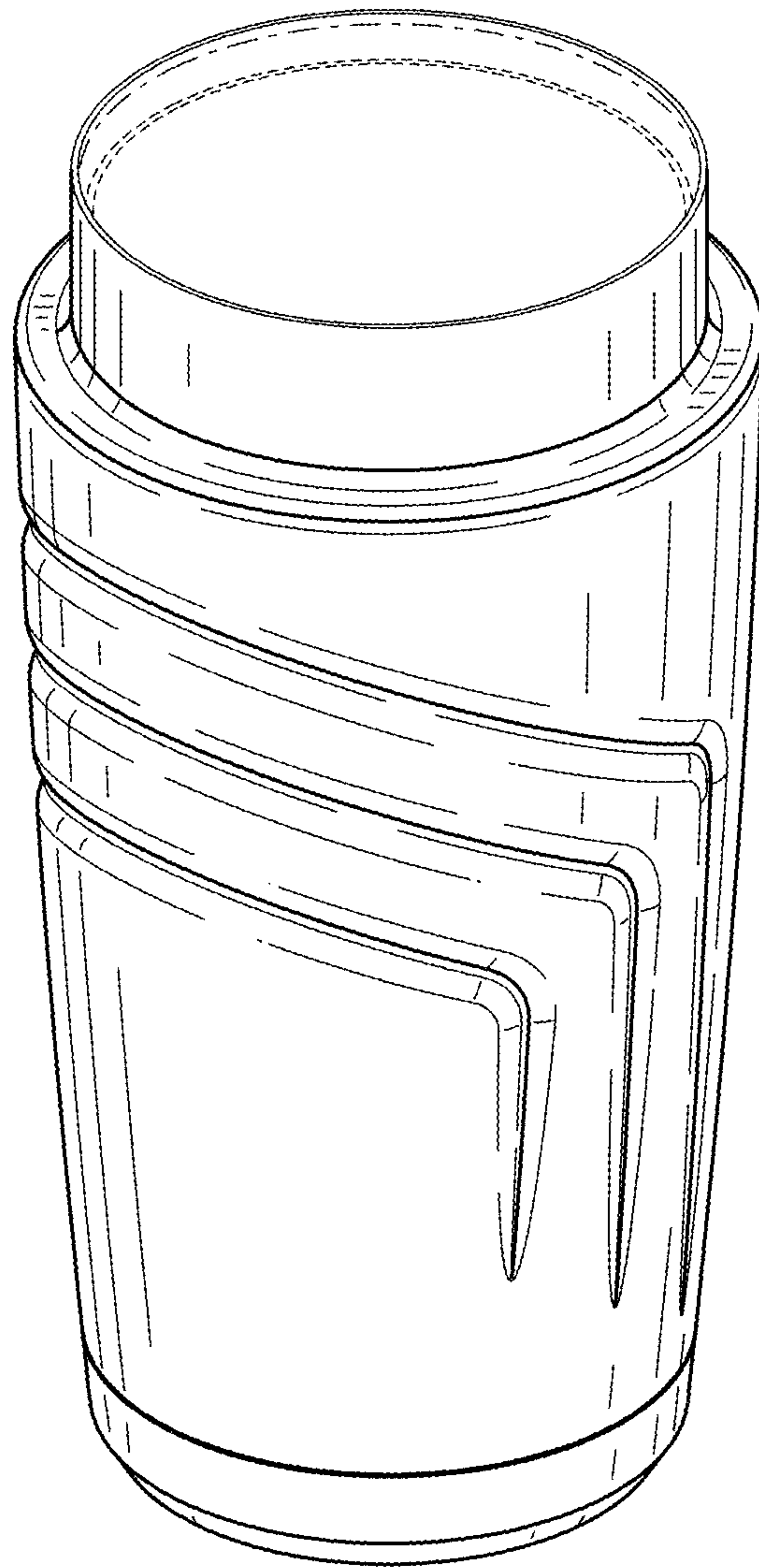


FIG. 1

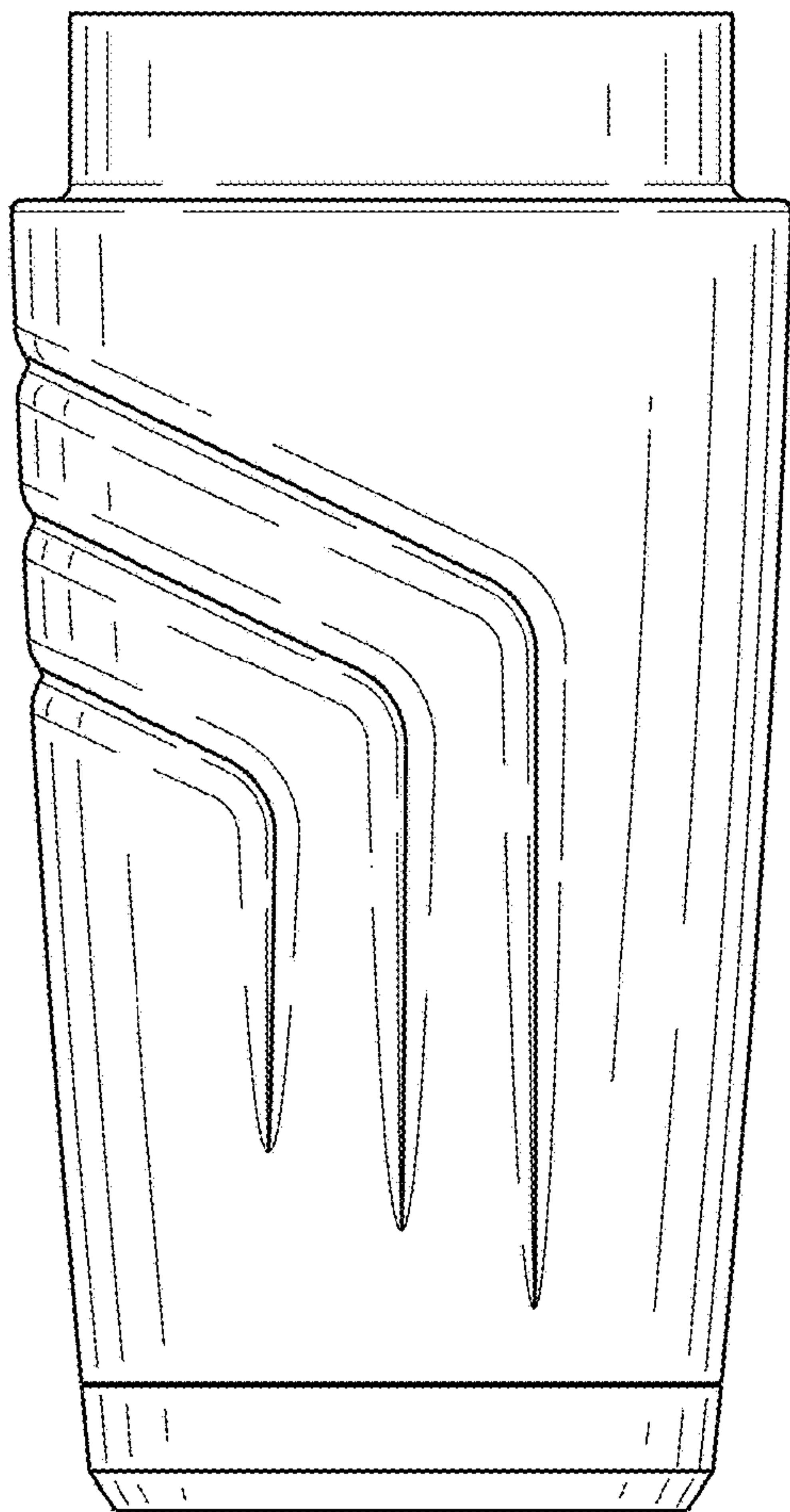


FIG. 2

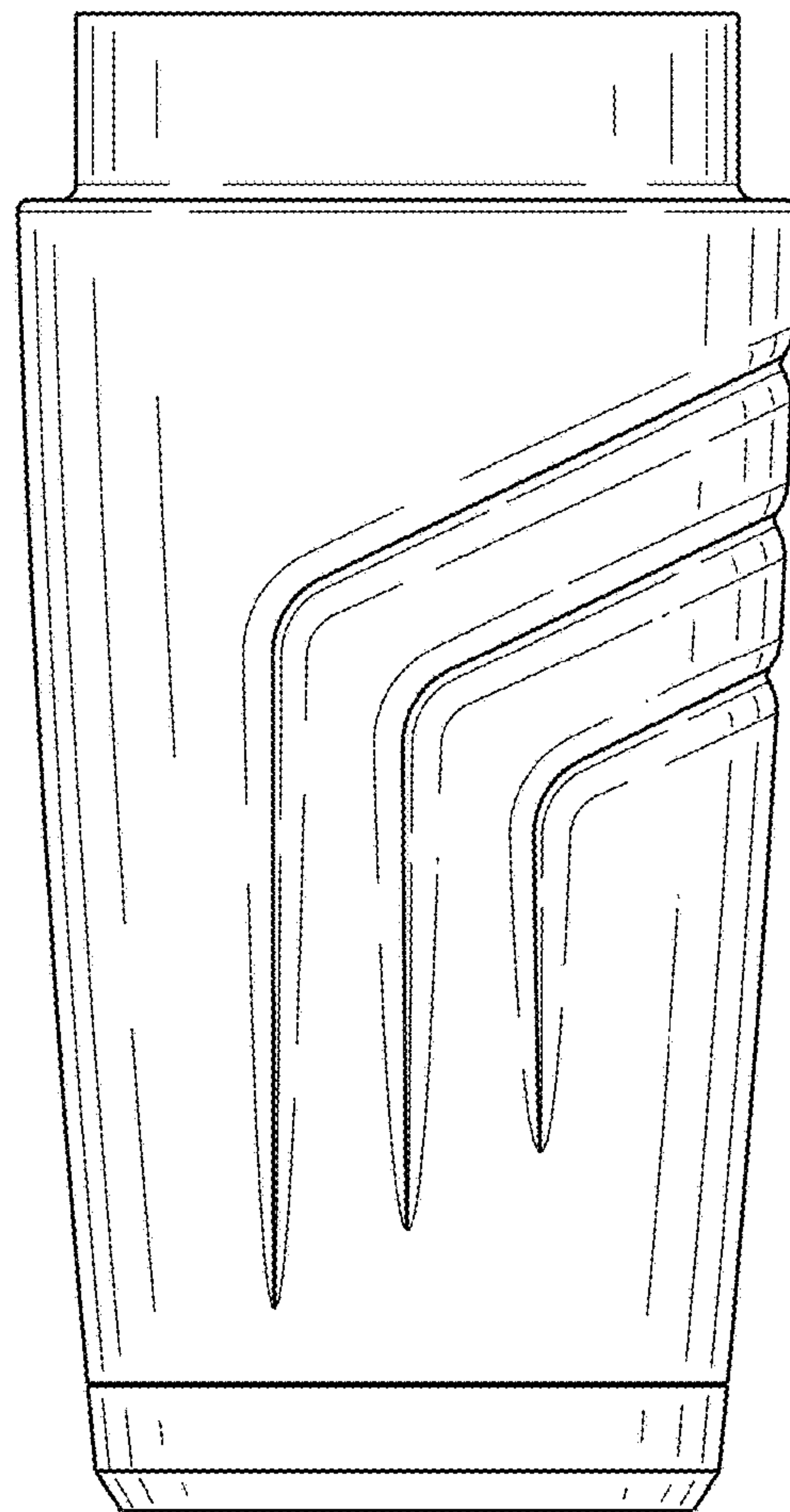


FIG. 3

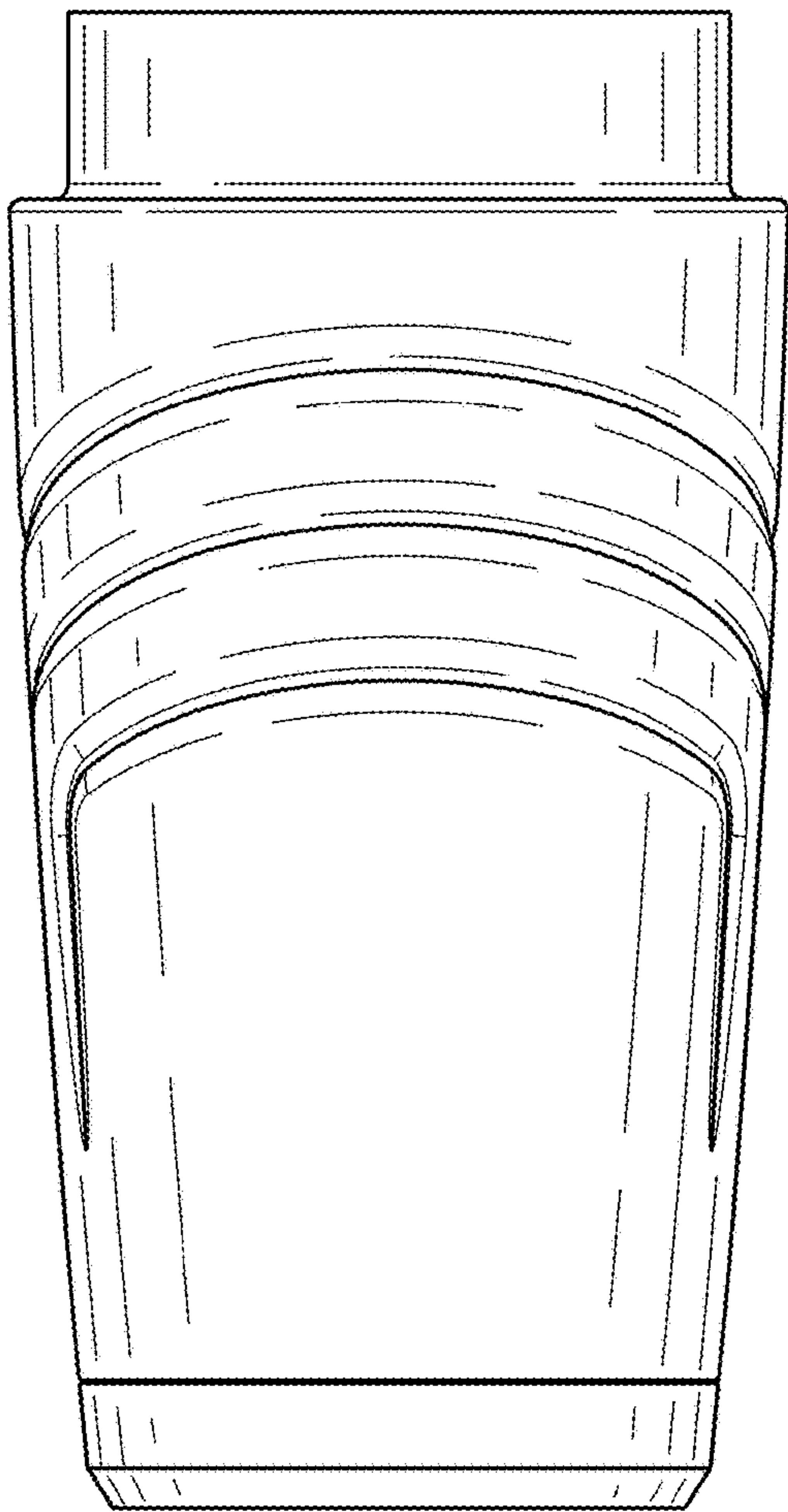


FIG. 4

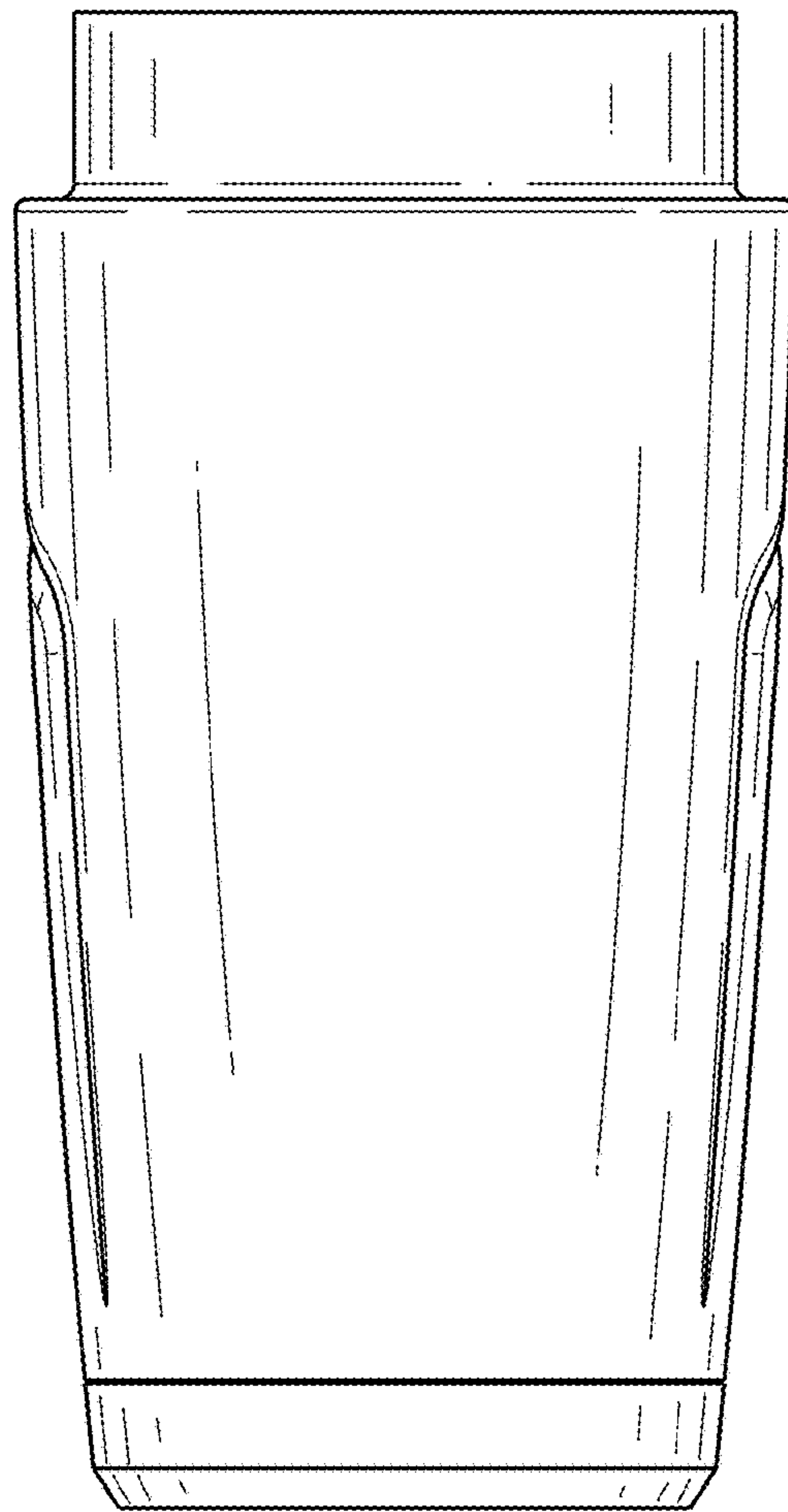


FIG. 5

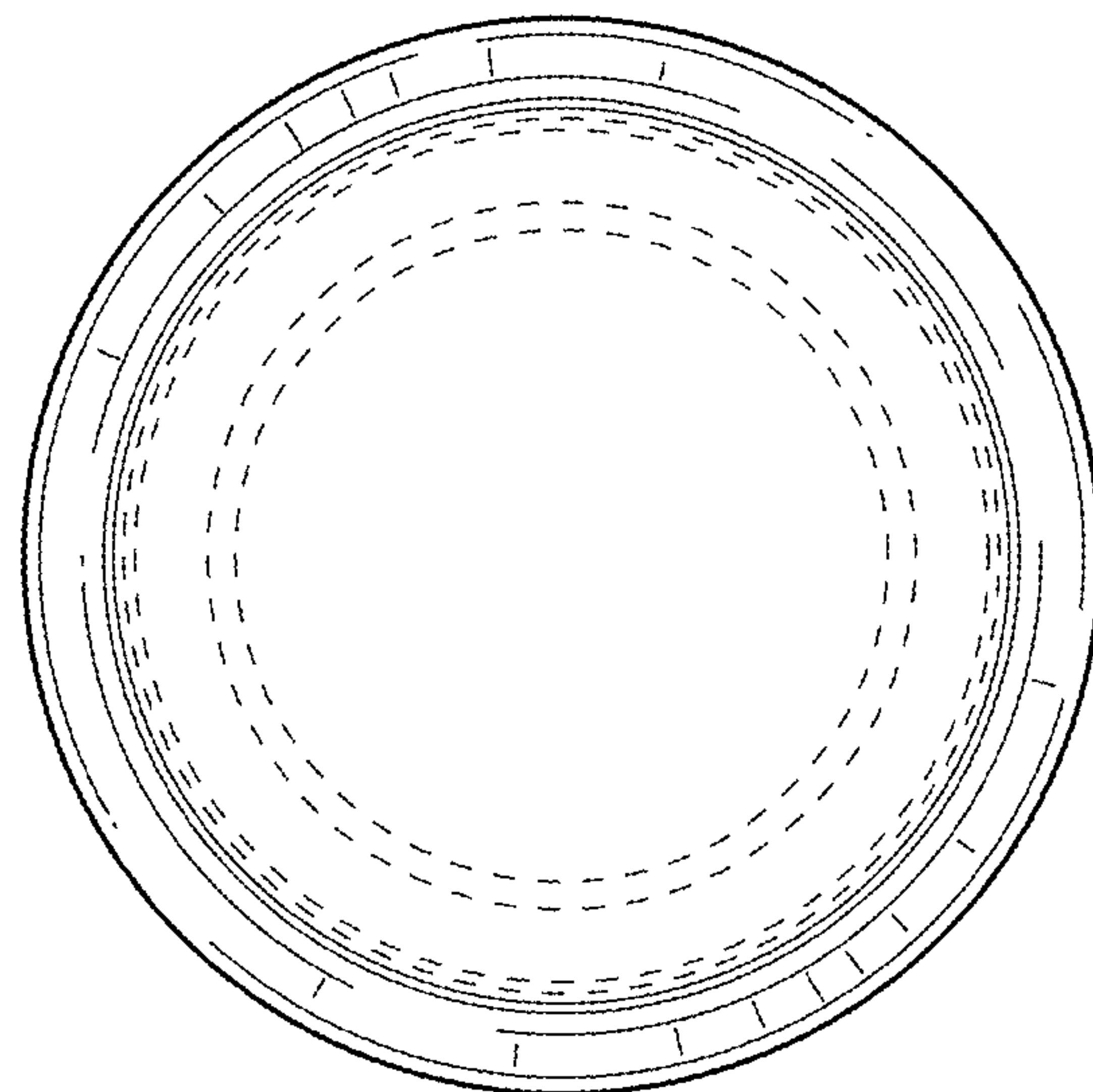


FIG. 6

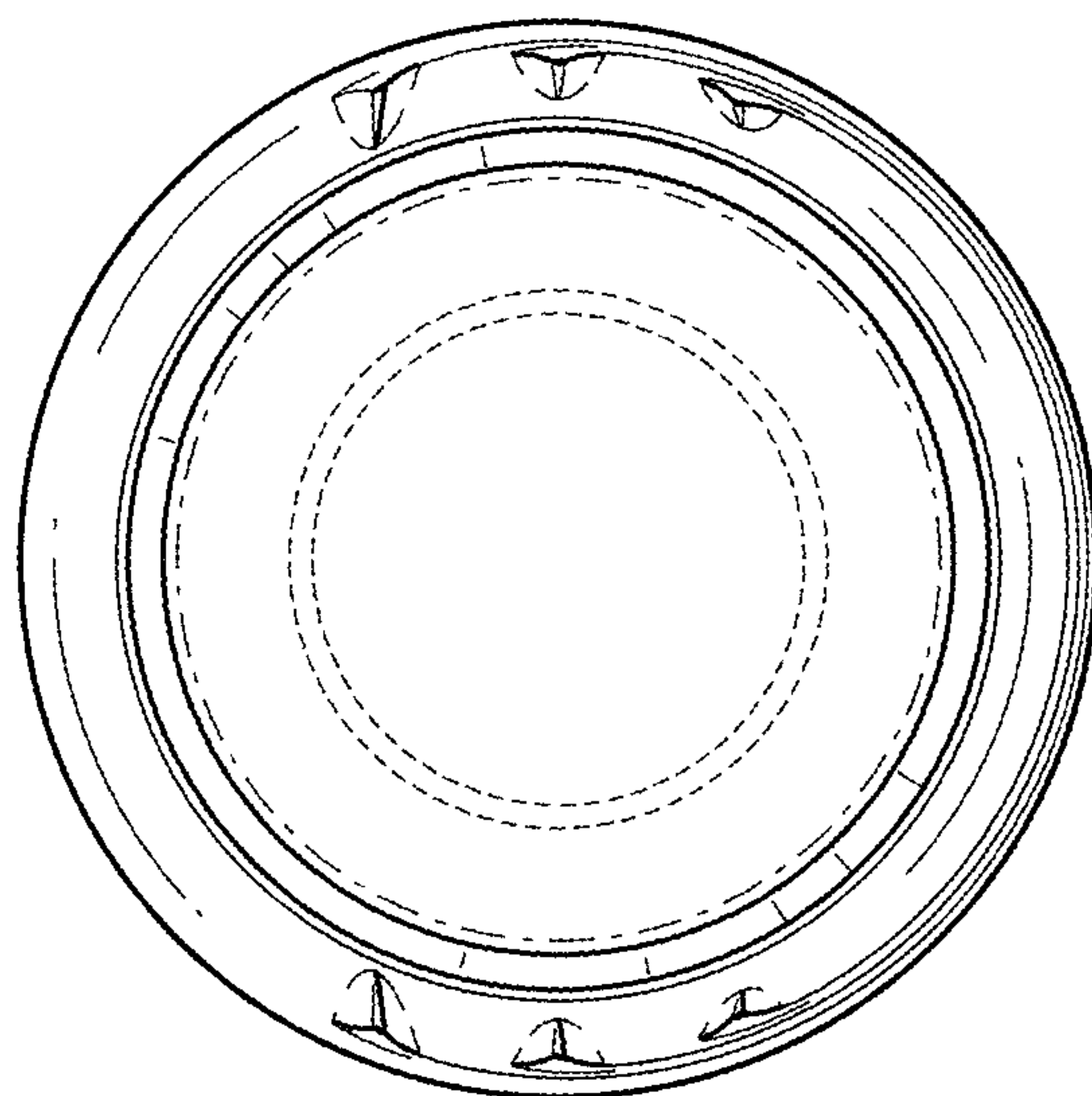


FIG. 7