



US00D775493S

(12) **United States Design Patent** (10) **Patent No.:** **US D775,493 S**
Funnell, II et al. (45) **Date of Patent:** **** Jan. 3, 2017**

- (54) **CONTROL KNOB FOR A RANGE**
- (71) Applicant: **BSH Home Appliances Corporation**, Irvine, CA (US)
- (72) Inventors: **Richard W. Funnell, II**, Corona del Mar, CA (US); **Jonathan Grey**, Huntersville, NC (US); **Graham Saddler**, Huntington Beach, CA (US)
- (73) Assignee: **BSH Home Appliances Corporation**, Irvine, CA (US)
- (**) Term: **14 Years**
- (21) Appl. No.: **29/525,050**
- (22) Filed: **Apr. 27, 2015**

Related U.S. Application Data

- (62) Division of application No. 29/468,887, filed on Oct. 4, 2013, now Pat. No. Des. 733,494, which is a division of application No. 29/450,598, filed on Mar. 20, 2013, now Pat. No. Des. 697,755, which is a division of application No. 29/425,868, filed on Jun. 28, 2012, now Pat. No. Des. 684,422, which is a division of application No. 29/409,181, filed on Dec. 21, 2011, now Pat. No. Des. 668,105, which is a division of application No. 29/389,416, filed on Apr. 12, 2011, now Pat. No. Des. 656,776.

- (51) **LOC (10) Cl.** **07-02**
- (52) **U.S. Cl.**
USPC **D7/406**

- (58) **Field of Classification Search**
USPC D7/340, 348, 350.1–350.4, 351, 402, D7/405–406, 393; 219/756–758, 391, 219/393, 395, 401, 452.13; 126/19 M, 126/275 E, 25 R; 99/348, 353, 367, 468; 74/527; 116/320; 16/441; D8/310–312, D8/315, 331, 300; D13/174
CPC F24C 7/082; G05G 1/10; G05G 1/08; H01H 3/20; F16K 5/0214; A47J 45/074; A47J 45/063

See application file for complete search history.

(56) **References Cited**

U.S. PATENT DOCUMENTS

D208,918 S *	10/1967	Dole	D8/311
3,534,706 A *	10/1970	Crispell	F24C 7/082
			116/302
4,012,806 A *	3/1977	Howie, Jr.	G05G 1/10
			16/441
4,037,490 A *	7/1977	Wilson	H01H 3/20
			116/320
D400,778 S *	11/1998	Holbrook, Jr.	D8/311
D443,496 S *	6/2001	DeCosse	D8/311
D498,657 S *	11/2004	Milrud	D8/311
D510,515 S *	10/2005	Miller	D8/311
D511,669 S *	11/2005	Miller	D8/300
D516,407 S *	3/2006	Grutzke	D8/311
D521,314 S *	5/2006	Ball	D7/393
D525,518 S *	7/2006	Baldwin	D8/310
D559,206 S *	1/2008	Neveu	D13/174
D564,980 S *	3/2008	Browne	D13/174

(Continued)

Primary Examiner — Darlington Ly

Assistant Examiner — Mark Cavanna

(74) *Attorney, Agent, or Firm* — Michael E. Tschupp; Andre Pallapies

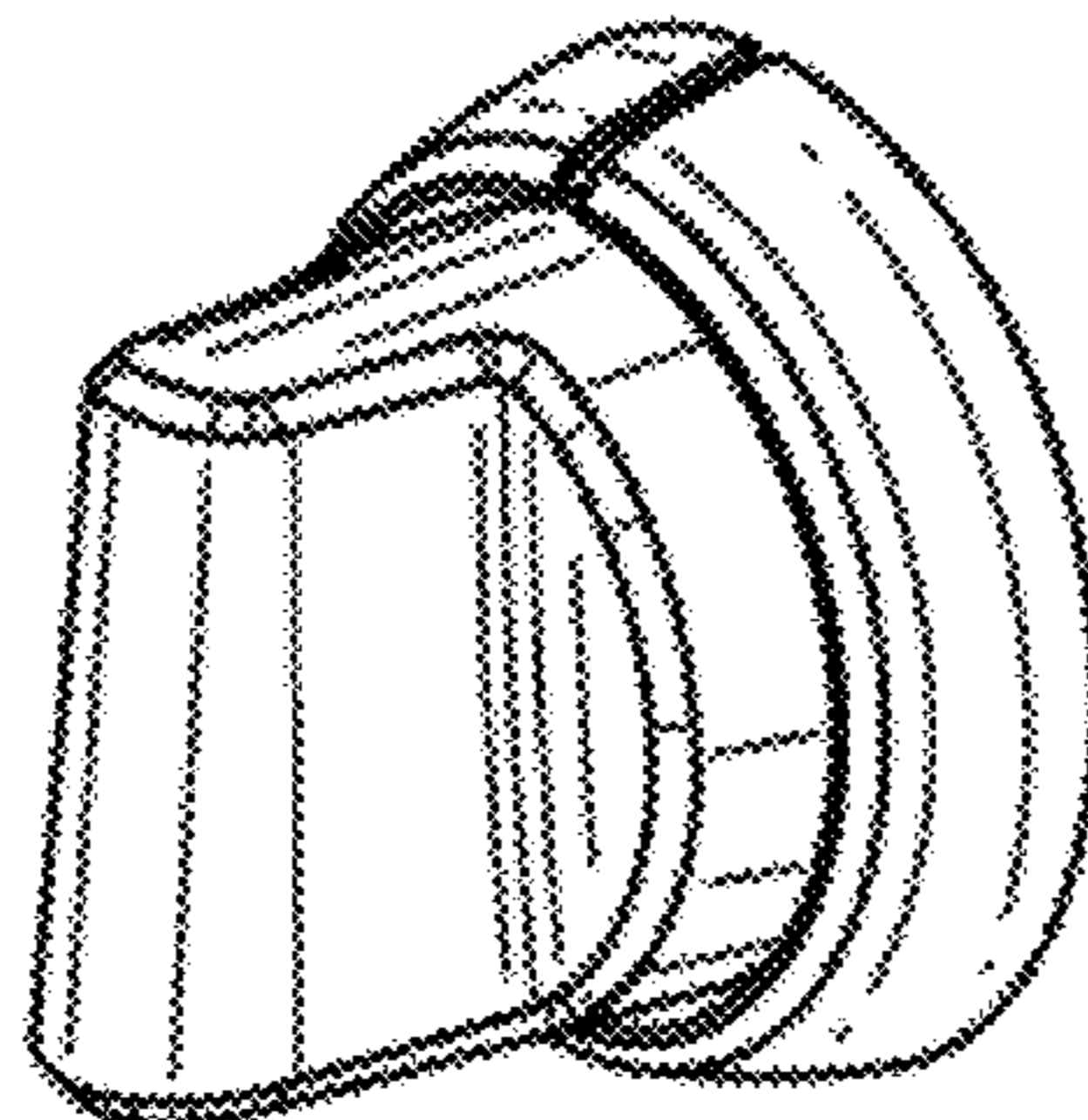
(57) **CLAIM**

The ornamental design for a control knob for a range, as shown and described.

DESCRIPTION

FIG. 1 is a front perspective view of a control knob for a range according to our new ornamental design; FIG. 2 is a front view thereof; FIG. 3 is a top view thereof; FIG. 4 is a bottom view thereof; FIG. 5 is a left side view thereof; and, FIG. 6 is a right side view thereof.

1 Claim, 1 Drawing Sheet



(56)

References Cited

U.S. PATENT DOCUMENTS

D567,060	S *	4/2008	Busalt	D8/310
D573,000	S *	7/2008	Martin	D8/311
D577,538	S *	9/2008	Suh	D7/393
D577,983	S *	10/2008	Martin	D8/311
D612,704	S *	3/2010	Funnell	D8/310
D612,705	S *	3/2010	Baker	D8/311
D628,457	S *	12/2010	Bengtson	D8/311
D634,156	S *	3/2011	Fuller	D7/393
D634,602	S *	3/2011	Bengtson	D8/311
D637,886	S *	5/2011	Bengtson	D8/311
D642,042	S *	7/2011	Kim	D8/311
D651,458	S *	1/2012	Segers	D7/402
8,408,091	B2 *	4/2013	Reddering	G05G 1/08 74/527
8,449,289	B2 *	5/2013	Albizuri	F16K 5/0214 126/25 R
D703,998	S *	5/2014	Funnell, II	D7/393
D715,126	S *	10/2014	Kim	D8/311
D722,815	S *	2/2015	Fuller	D8/311
2004/0107545	A1 *	6/2004	Worrell	G05G 1/10 16/441

* cited by examiner

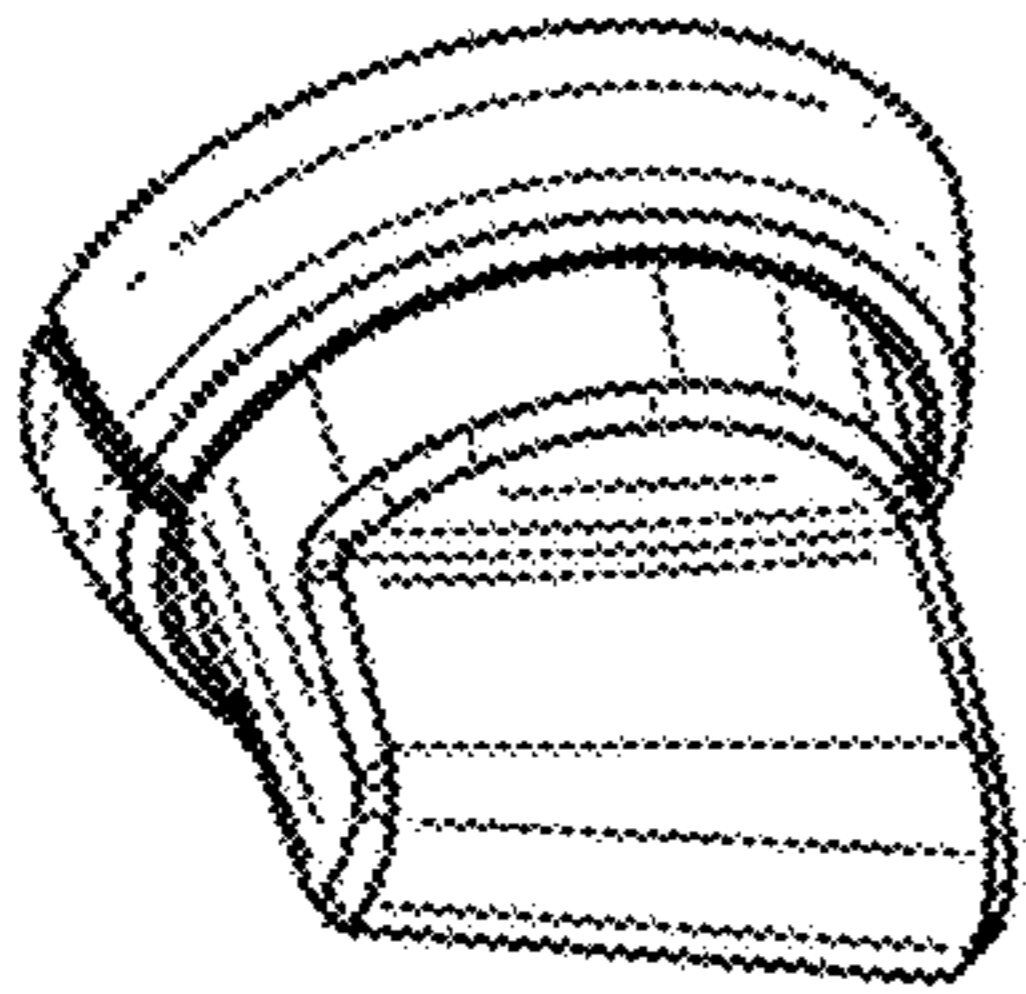


FIG. 1

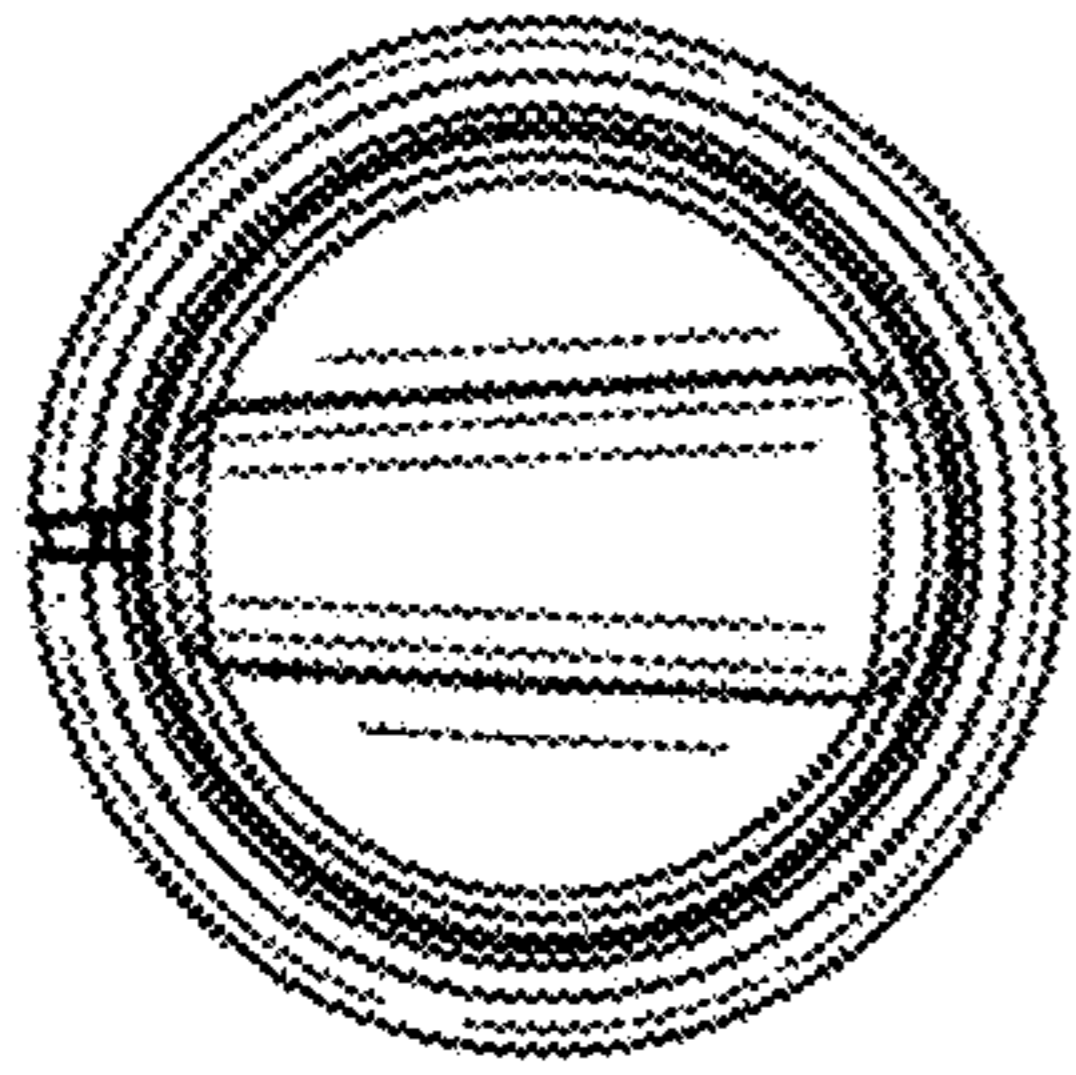


FIG. 2

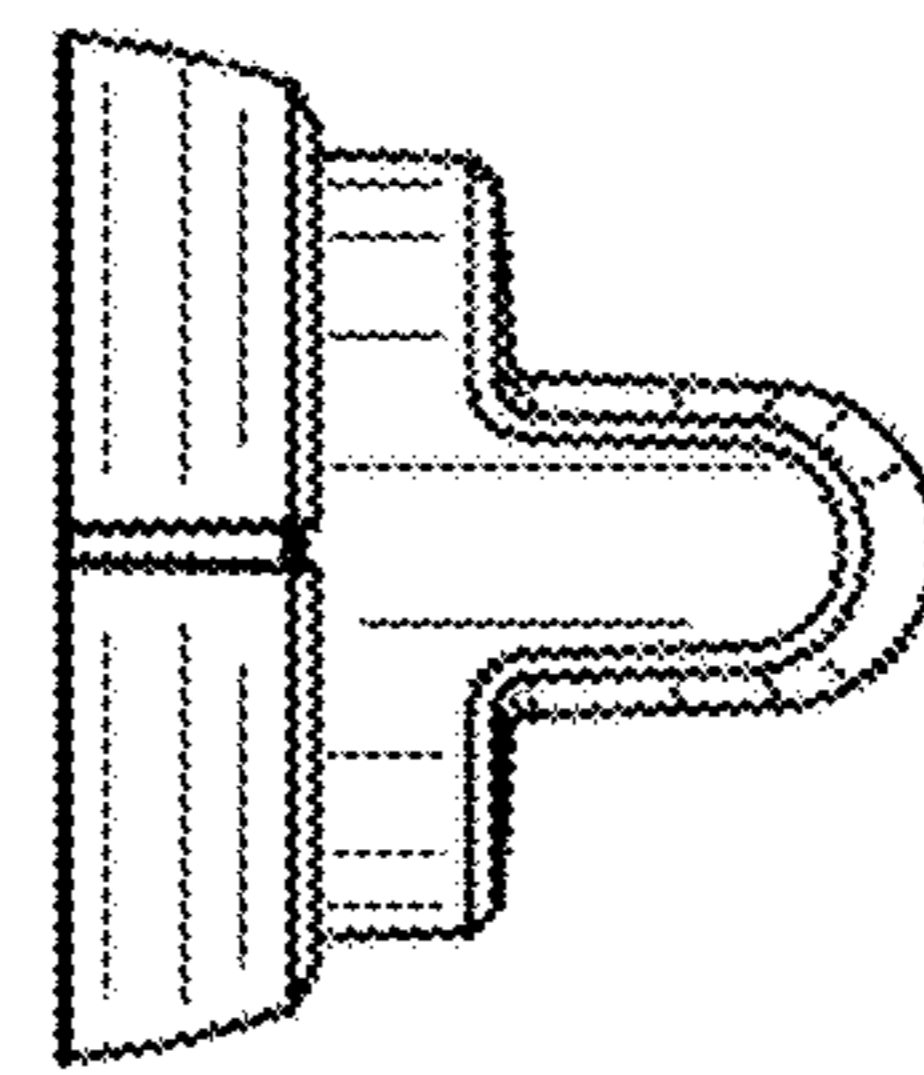


FIG. 3

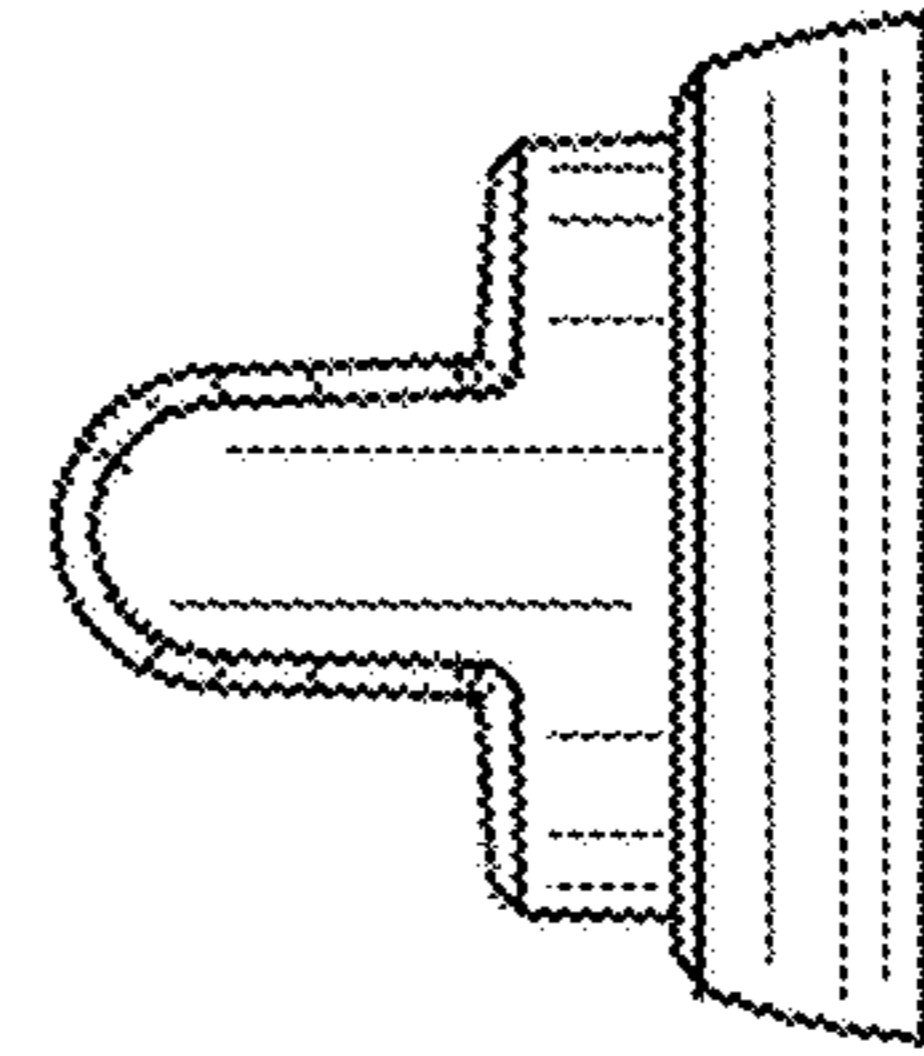


FIG. 4

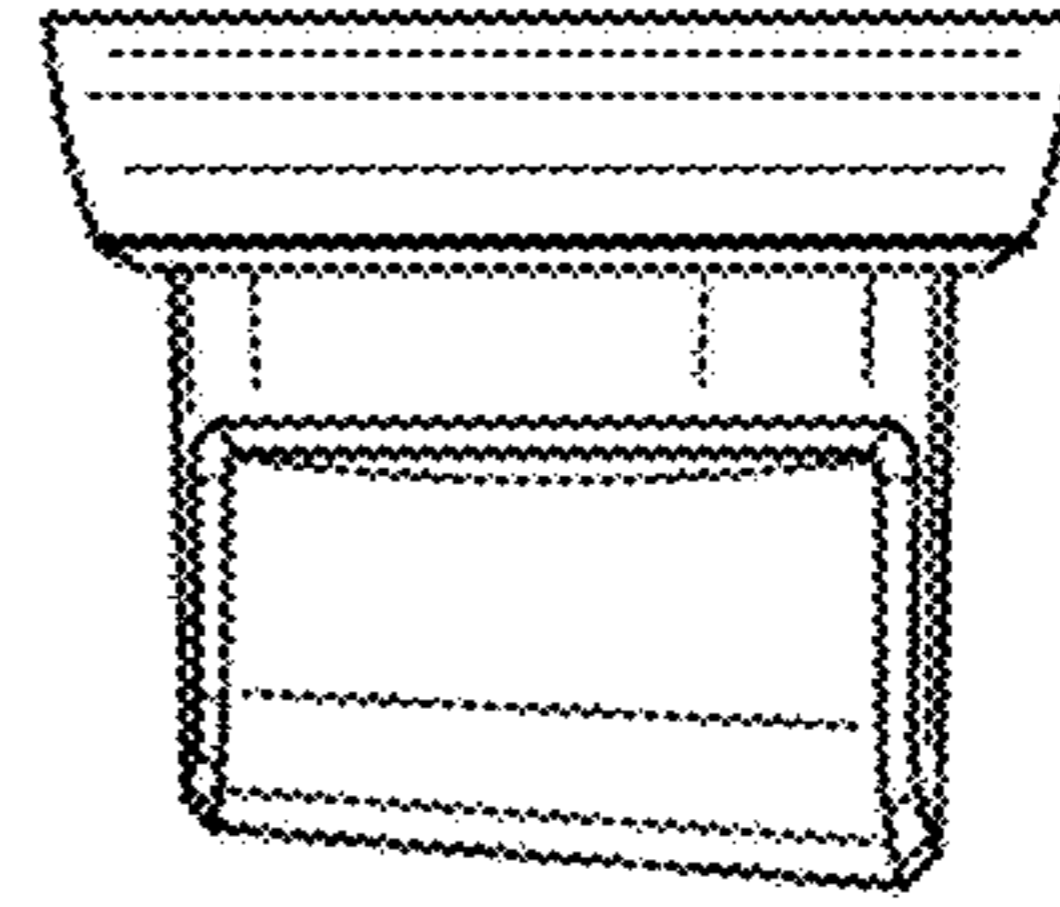


FIG. 5

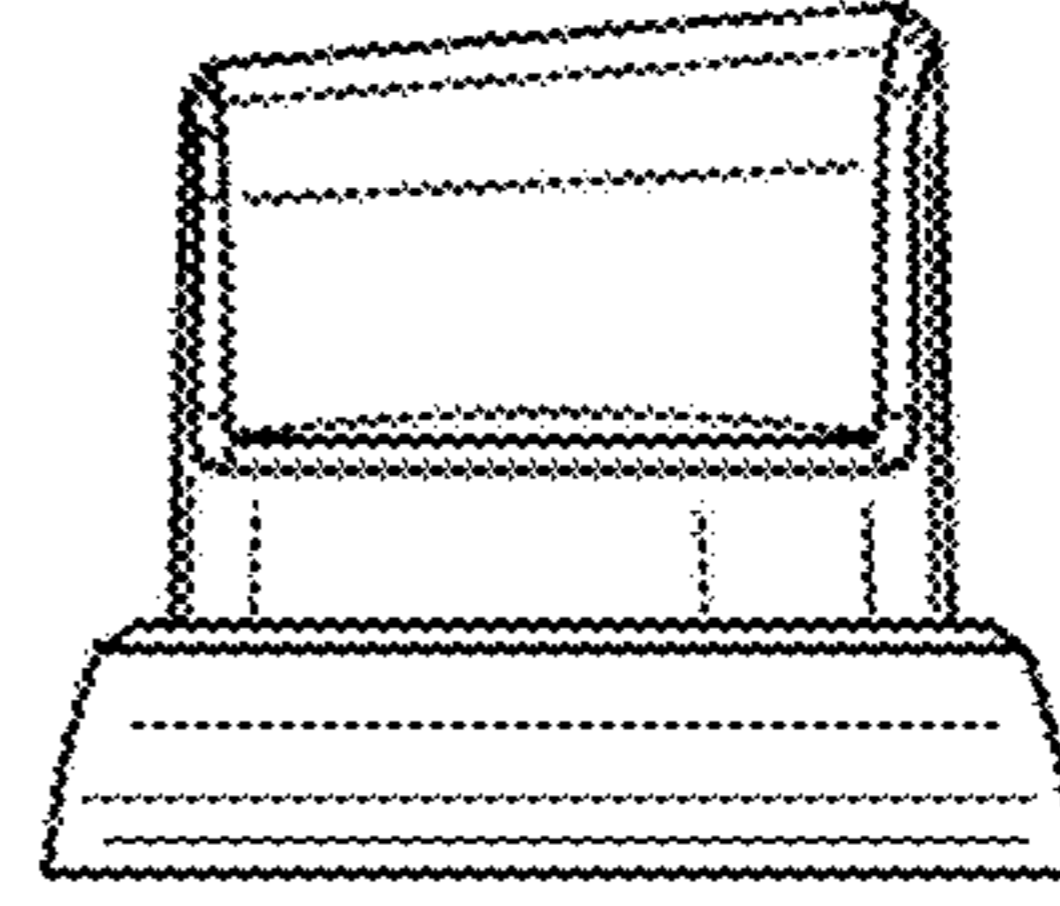


FIG. 6