



US00D775491S

(12) **United States Design Patent** (10) **Patent No.:** **US D775,491 S**
Brinkley et al. (45) **Date of Patent:** **** Jan. 3, 2017**

(54) **PUREEING APPLIANCE**

(56) **References Cited**

(71) Applicant: **Hearthmark, LLC**, Fishers, IN (US)

U.S. PATENT DOCUMENTS

(72) Inventors: **Jordan Brinkley**, McCordsville, IN (US); **Scott Hager**, McCordsville, IN (US); **Clifford Krapfl**, Chicago, IL (US); **Motokimi Yono**, Chicago, IL (US)

D222,209	S	*	10/1971	Dykes	D7/372
D236,283	S	*	8/1975	McCue	D7/372
D362,597	S	*	9/1995	Kim	D7/665
5,452,650	A	*	9/1995	Lee	A47J 19/06 241/101.2
D376,736	S	*	12/1996	Kim	D7/665
D495,921	S	*	9/2004	Lallemant	D7/372
D526,539	S	*	8/2006	Yip	D7/665
D601,391	S	*	10/2009	Chiang	D7/665
D610,396	S	*	2/2010	Chiang	D7/372
D683,577	S	*	6/2013	Cohen	D7/372
D712,696	S	*	9/2014	Huber	D7/372
D721,548	S	*	1/2015	Jin	D7/665
D725,440	S	*	3/2015	Kim	D7/665

(73) Assignee: **Hearthmark, LLC**, Fishers, IN (US)

(**) Term: **15 Years**

(21) Appl. No.: **29/538,006**

(22) Filed: **Aug. 31, 2015**

(51) **LOC (10) Cl.** **31-00**

(52) **U.S. Cl.**
USPC **D7/372**

(58) **Field of Classification Search**
USPC D7/372, 376-386, 665-666, 669,
D7/678-679, 693-694

CPC A01F 2015/07; A01F 2015/077; A01F 2015/0775; A23N 1/00; A23N 1/02; A47J 19/00; A47J 19/005; A47J 19/02; A47J 19/04; A47J 19/06; A47J 42/32; A47J 42/34; A47J 42/36; A47J 43/044; A47J 43/25; A47J 43/255; B01F 7/26; B01F 7/28; B01F 11/0082; B01F 13/04; B02C 13/00; B02C 13/02; B02C 13/10; B02C 18/06; B02C 18/26; B02C 18/30; B02C 18/302; B02C 18/304; B02C 18/305; B02C 25/00; B02C 2002/00; B02C 2013/00; B02C 2013/14; B02C 2013/145; B02C 2013/18; B02C 2013/1807; B02C 2013/1857; B02C 2013/1864; B30B 9/00; B30B 9/16; B30B 9/18; B30B 9/20; B30B 9/26; B30B 9/205; B30B 9/207

See application file for complete search history.

* cited by examiner

Primary Examiner — Ricky Pham

(74) *Attorney, Agent, or Firm* — Christina DeAngelis

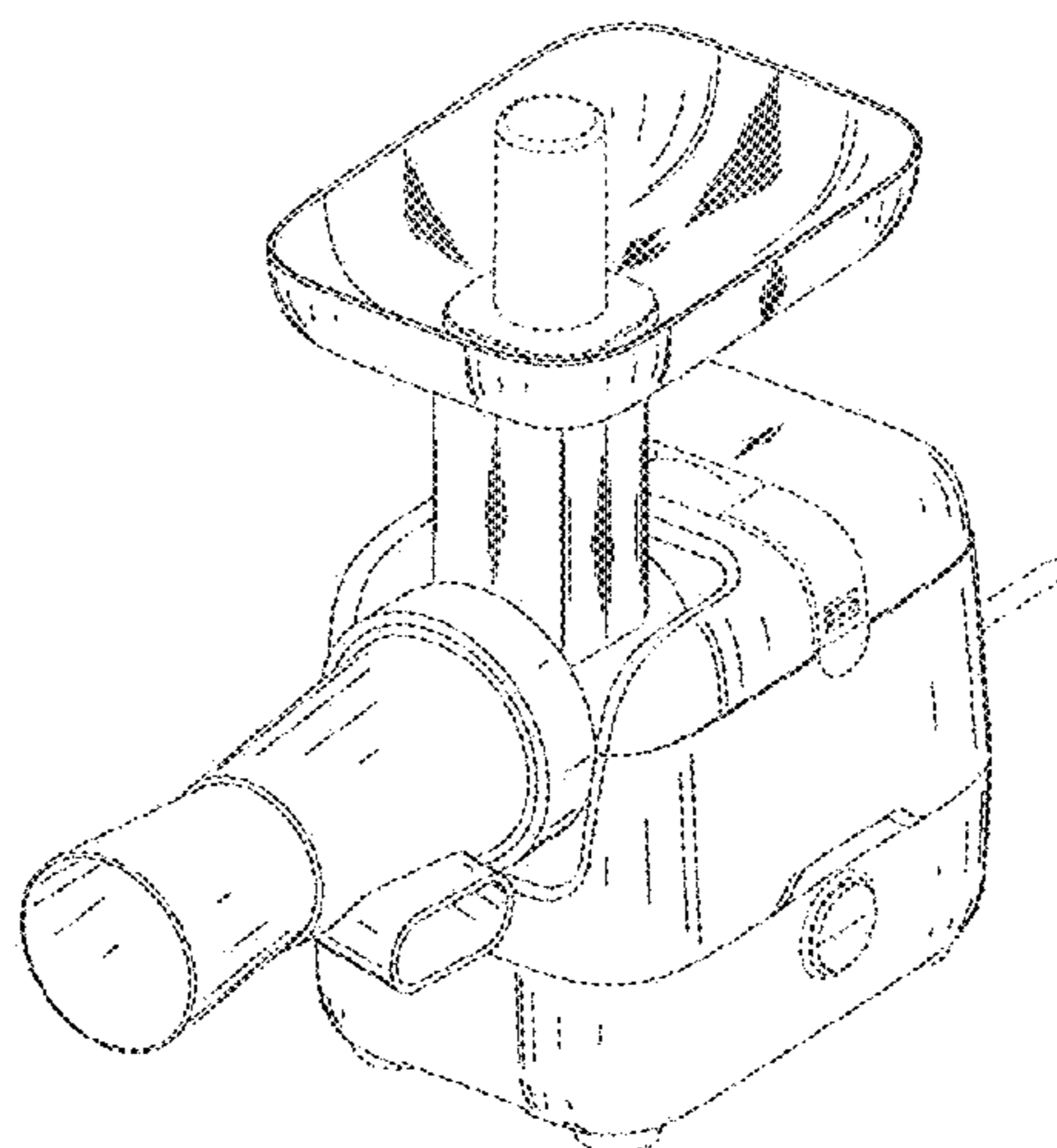
(57) **CLAIM**

The ornamental design for the pureeing appliance, as shown and described.

DESCRIPTION

FIG. 1 is a top right front perspective view of the pureeing appliance;
FIG. 2 is a right side view thereof;
FIG. 3 is a front view thereof;
FIG. 4 is a left side view thereof;
FIG. 5 is a rear view thereof;
FIG. 6 is a top plan view thereof;
FIG. 7 is a bottom plan view thereof; and,
FIG. 8 is a top right rear perspective view of the storage configuration of the pureeing appliance.
The broken lines in the drawings are for illustrative purposes only and form no part of the claimed design.

1 Claim, 8 Drawing Sheets



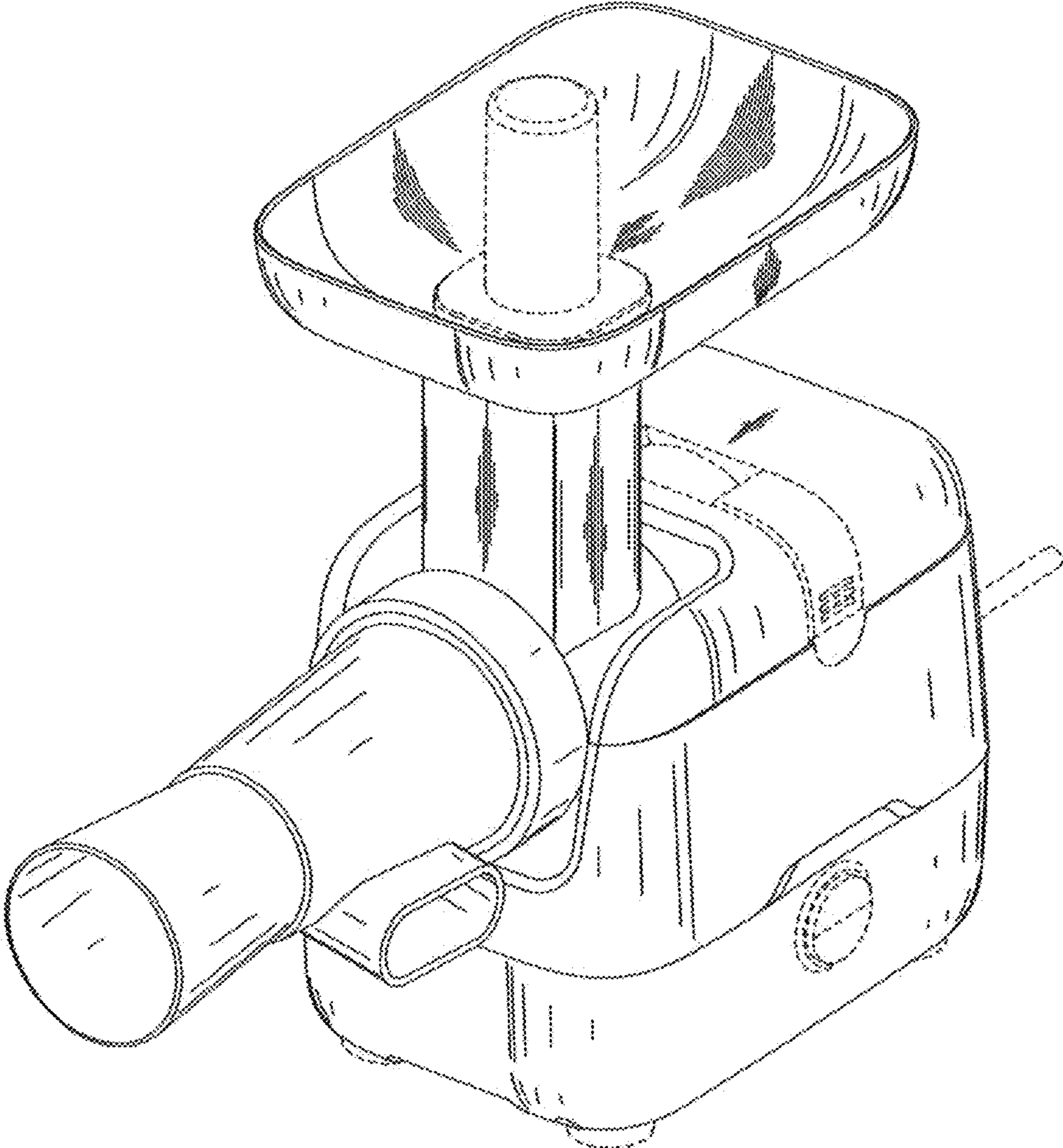


FIG 1

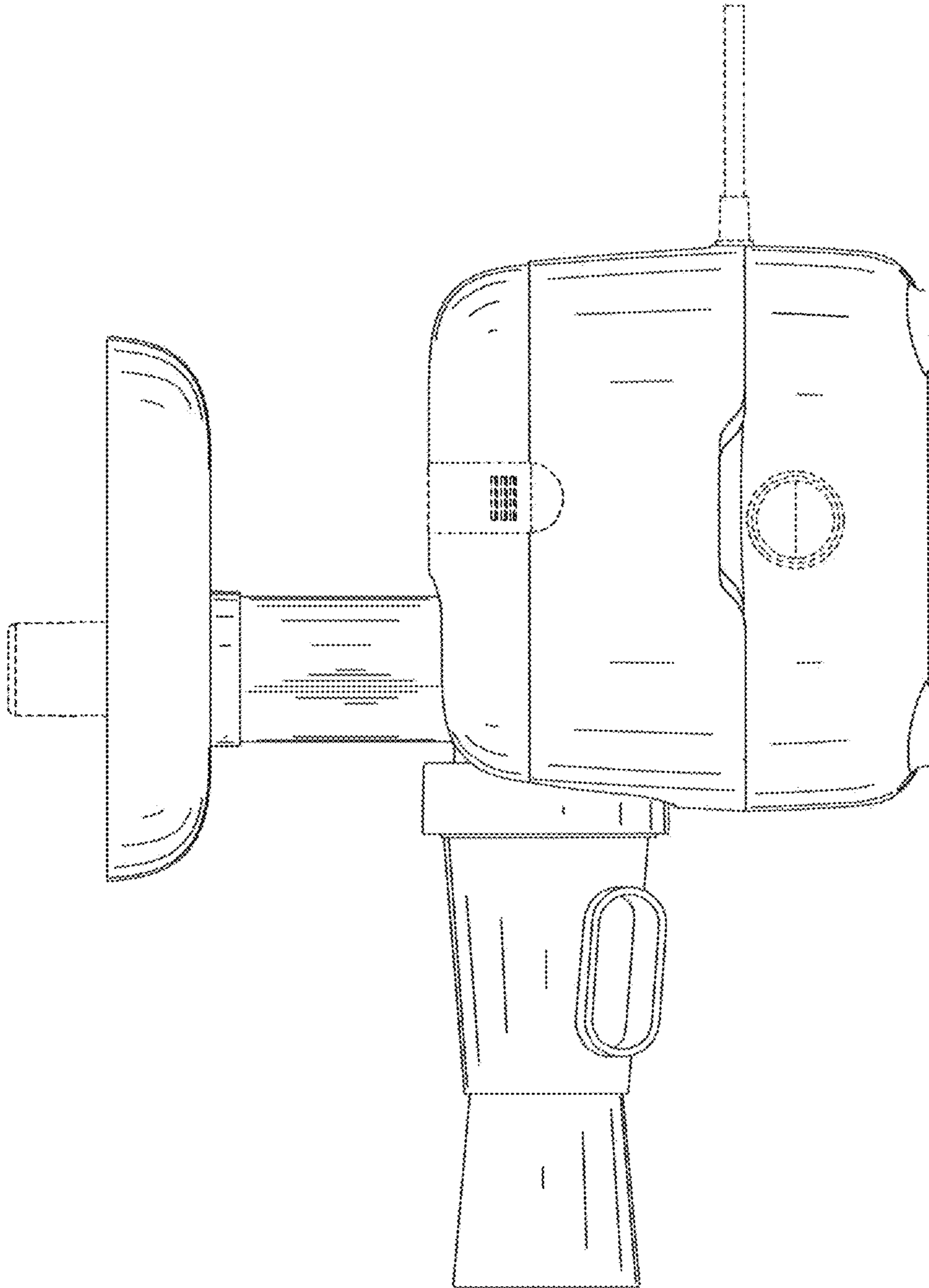


FIG 2

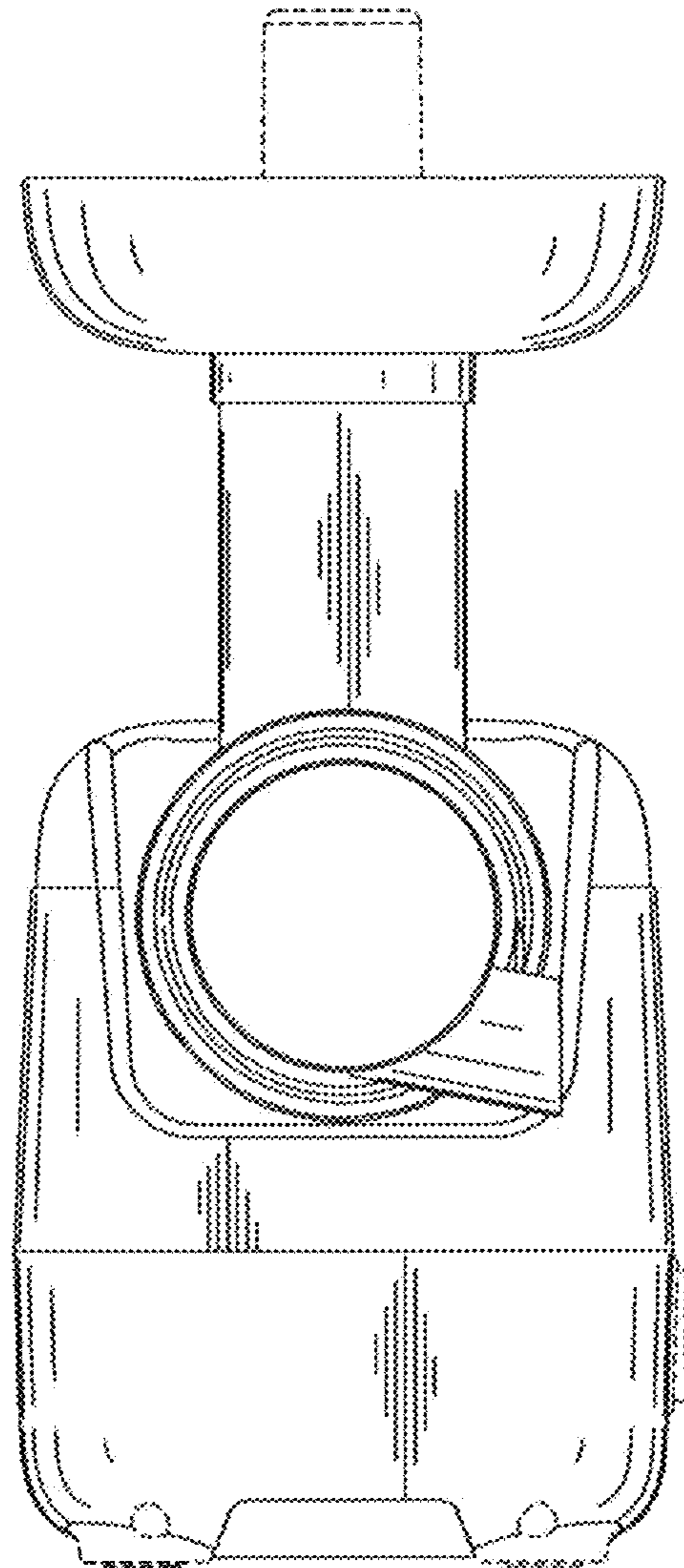


FIG 3

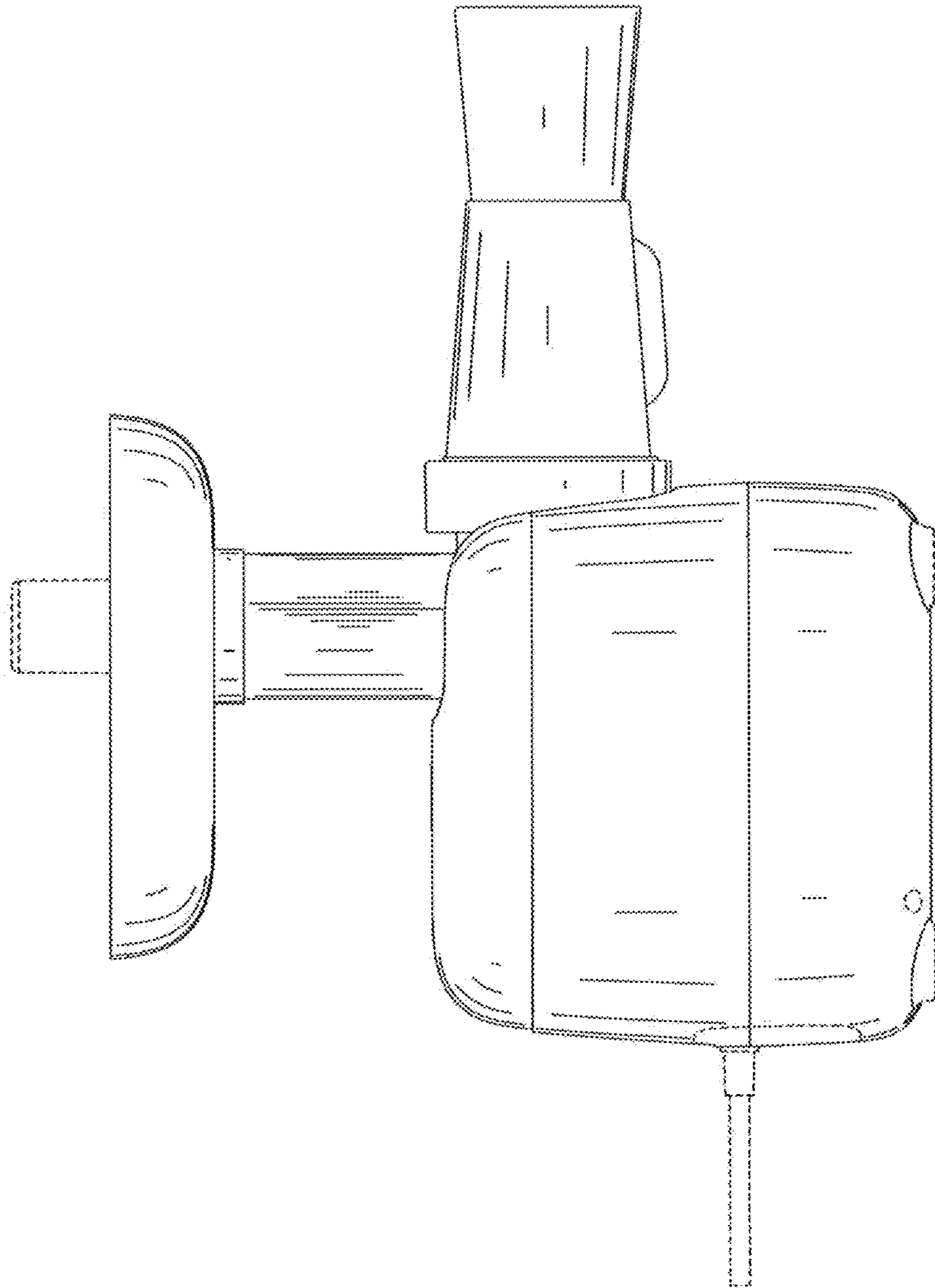


FIG 4

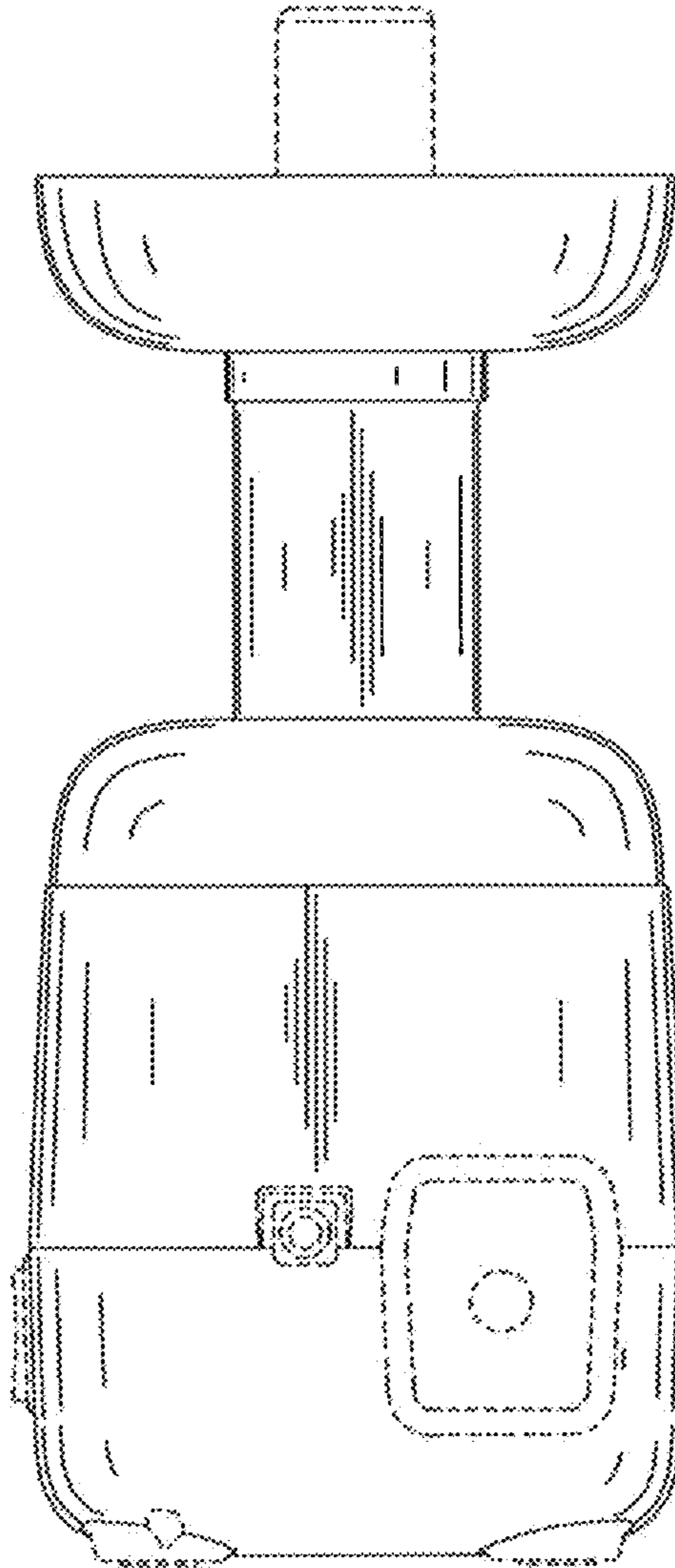


FIG 5

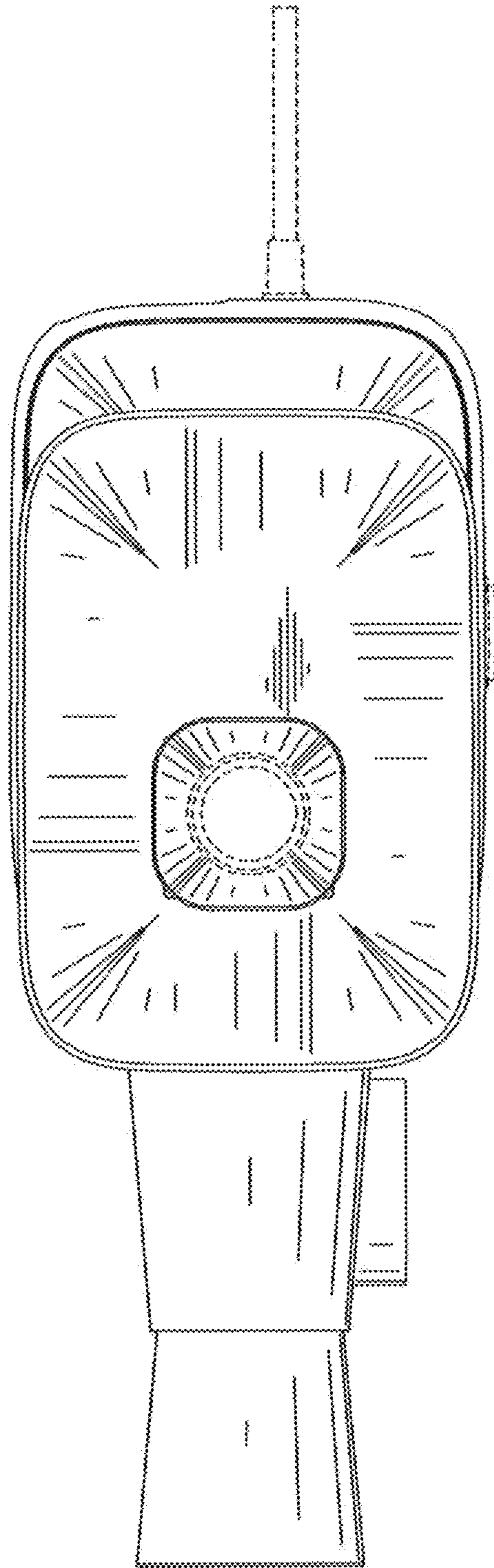


FIG 6

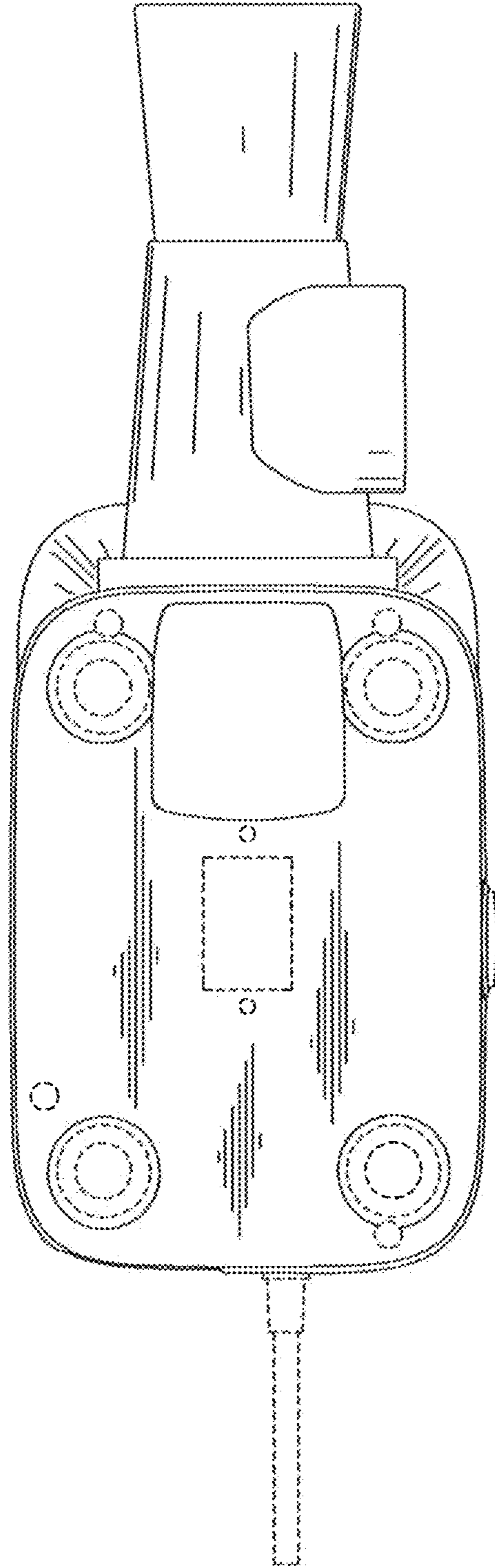


FIG 7

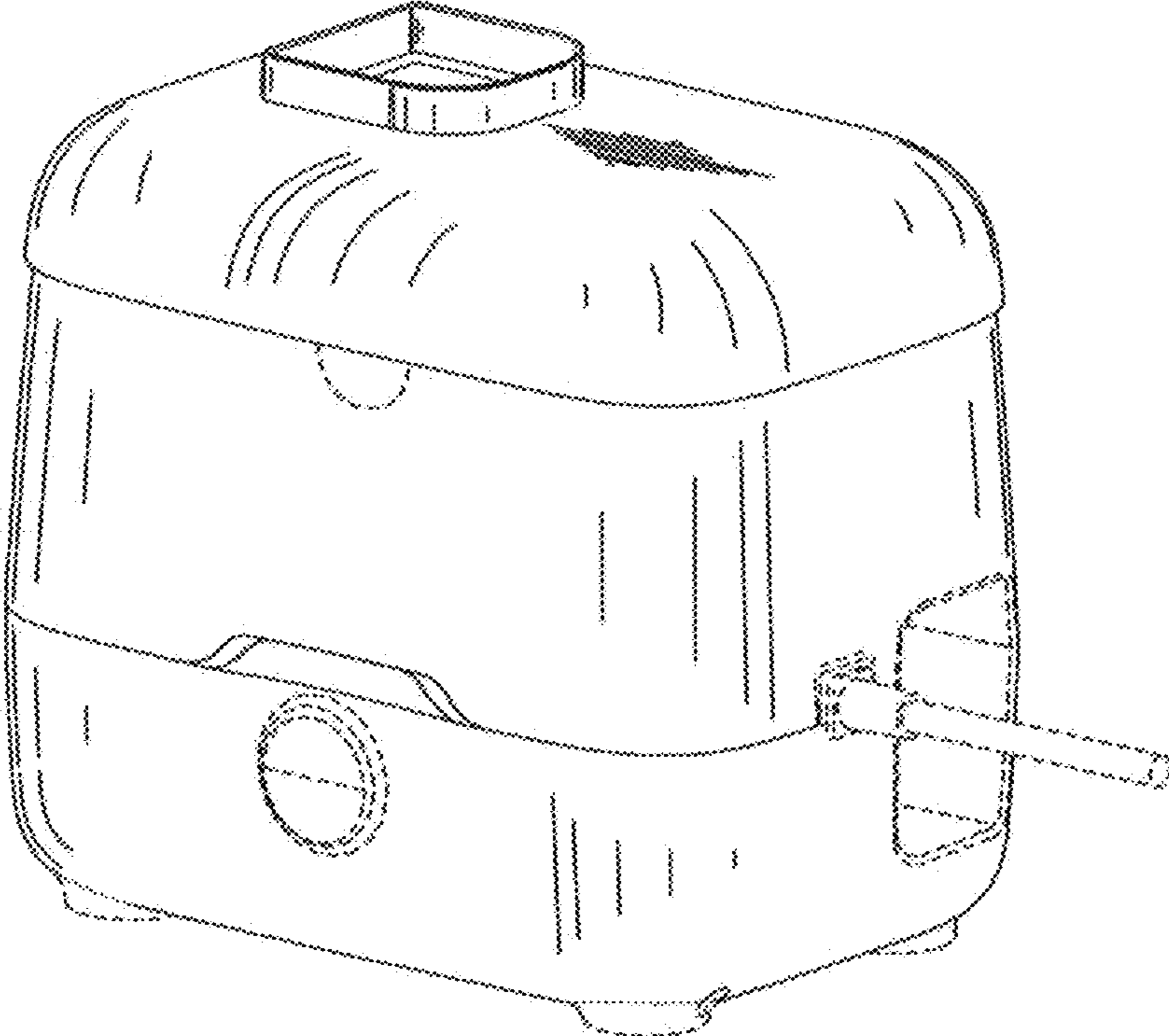


FIG 8