



US00D775490S

(12) **United States Design Patent**
Bergese

(10) **Patent No.:** **US D775,490 S**
(45) **Date of Patent:** **** Jan. 3, 2017**

- (54) **MICROWAVE OVEN**
- (71) Applicant: **Panasonic Intellectual Property Management Co., Ltd., Osaka (JP)**
- (72) Inventor: **Enrico Bergese, Shiga (JP)**
- (73) Assignee: **Panasonic Intellectual Property Management Co., Ltd., Osaka (JP)**
- (**) Term: **15 Years**

D460,659 S *	7/2002	Hessen	D7/351
D704,983 S *	5/2014	Yoon	D7/351
D707,074 S *	6/2014	Shin	D7/351
D708,469 S *	7/2014	Kim	D7/351
D712,694 S *	9/2014	Kim	D7/351
D717,580 S *	11/2014	Bryant	D7/351
D717,581 S *	11/2014	Kim	D7/351
D741,639 S *	10/2015	Kim	D7/351
D741,649 S *	10/2015	Kim	D7/405
D750,431 S *	3/2016	Bergese	D7/405
D761,620 S *	7/2016	Kim	D7/405

(Continued)

(21) Appl. No.: **29/549,364**

(22) Filed: **Dec. 22, 2015**

(30) **Foreign Application Priority Data**

Aug. 19, 2015 (EM) 002756916-0001

(51) **LOC (10) Cl.** **07-02**

(52) **U.S. Cl.**
USPC **D7/351**

(58) **Field of Classification Search**
USPC D7/402, 405, 351, 323, 338, 346, 347;
219/678

CPC H05B 6/763; H05B 6/6414; H05B 6/6408;
Y02B 40/14; Y02B 40/143; Y02B 40/146;
F24C 15/02; F24C 1/00; F24C
14/00; F24C 3/00; F24C 5/00; F24C 7/00
See application file for complete search history.

(56) **References Cited**

U.S. PATENT DOCUMENTS

D305,597 S *	1/1990	Yoo	D7/351
D354,415 S *	1/1995	Noda	D7/351
D364,311 S *	11/1995	Kim	D7/351
D373,925 S *	9/1996	Kim	D7/351
D433,268 S *	11/2000	Taira	D7/351
D436,285 S *	1/2001	Taira	D7/351
D442,017 S *	5/2001	Noda	D7/351
D442,018 S *	5/2001	Kusachi	D7/351

FOREIGN PATENT DOCUMENTS

CN	201330562127.9	4/2014
JP	D1216808	9/2004

(Continued)

Primary Examiner — Robin V Webster

Assistant Examiner — James Thorn, Sr.

(74) *Attorney, Agent, or Firm* — Panasonic IP Management; Kerry S. Culpepper

(57) **CLAIM**

I claim the ornamental design for a microwave oven, as shown and described.

DESCRIPTION

FIG. 1 is a front perspective view of a microwave oven of the present invention;

FIG. 2 is a front view thereof;

FIG. 3 is a top view thereof;

FIG. 4 is a bottom view thereof;

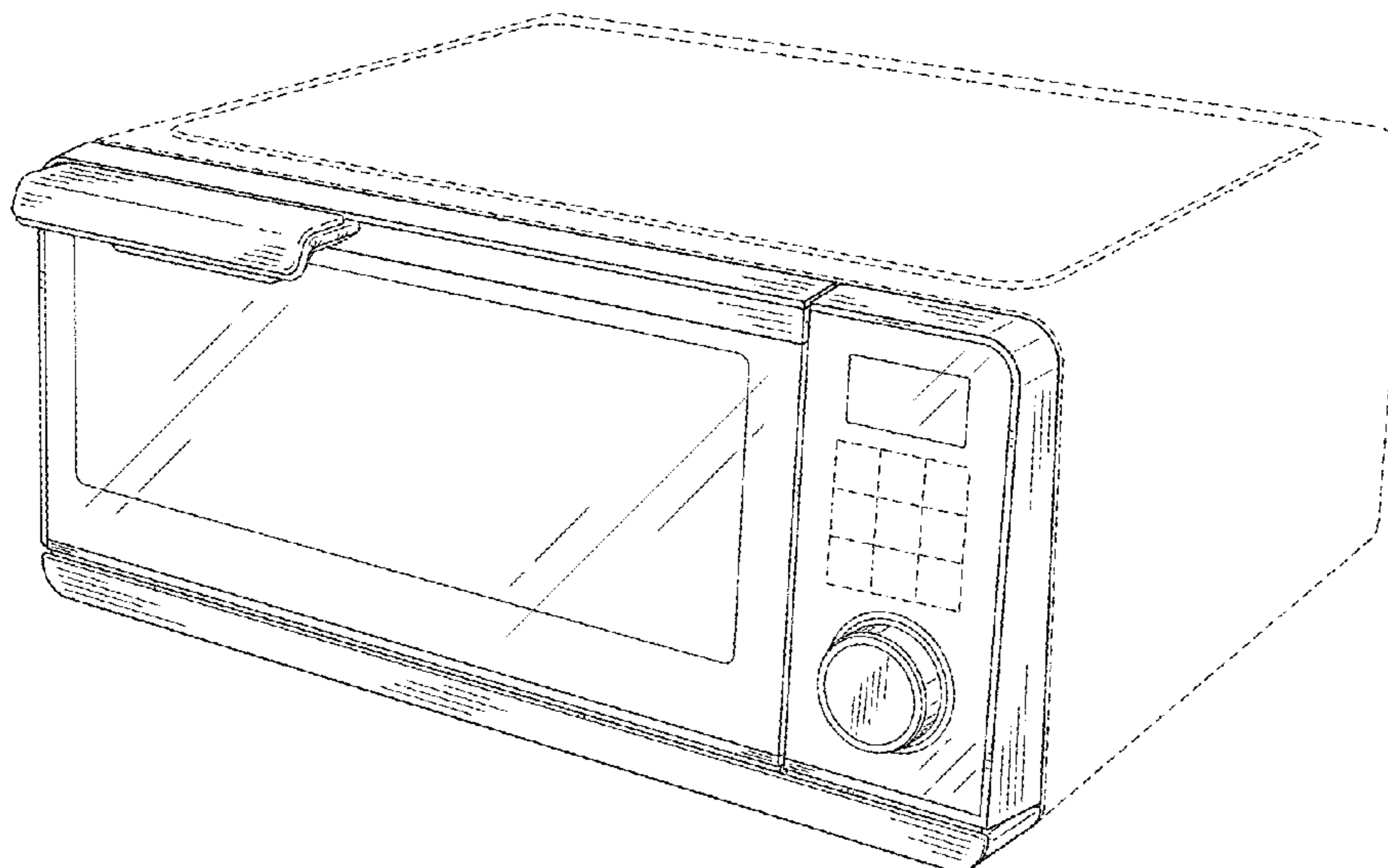
FIG. 5 is a first side view thereof;

FIG. 6 is a second side view thereof; and,

FIG. 7 is a rear view thereof.

The broken line showing of microwave oven is included for the purpose of illustrating environment and forms no part of the claimed design.

1 Claim, 7 Drawing Sheets



(56)

References Cited

U.S. PATENT DOCUMENTS

D762,416	S *	8/2016	Kim	D7/405
D764,228	S *	8/2016	Kim	D7/405
D764,229	S *	8/2016	Chung	D7/405
D766,657	S *	9/2016	Bergese	D7/405
2008/0116198	A1 *	5/2008	Frank	H05B 6/6426
				219/678
2012/0165188	A1 *	6/2012	Croskey	B41M 7/0009
				503/201

FOREIGN PATENT DOCUMENTS

JP	D1440764	4/2013
JP	D1390577	6/2013

* cited by examiner

FIG. 1

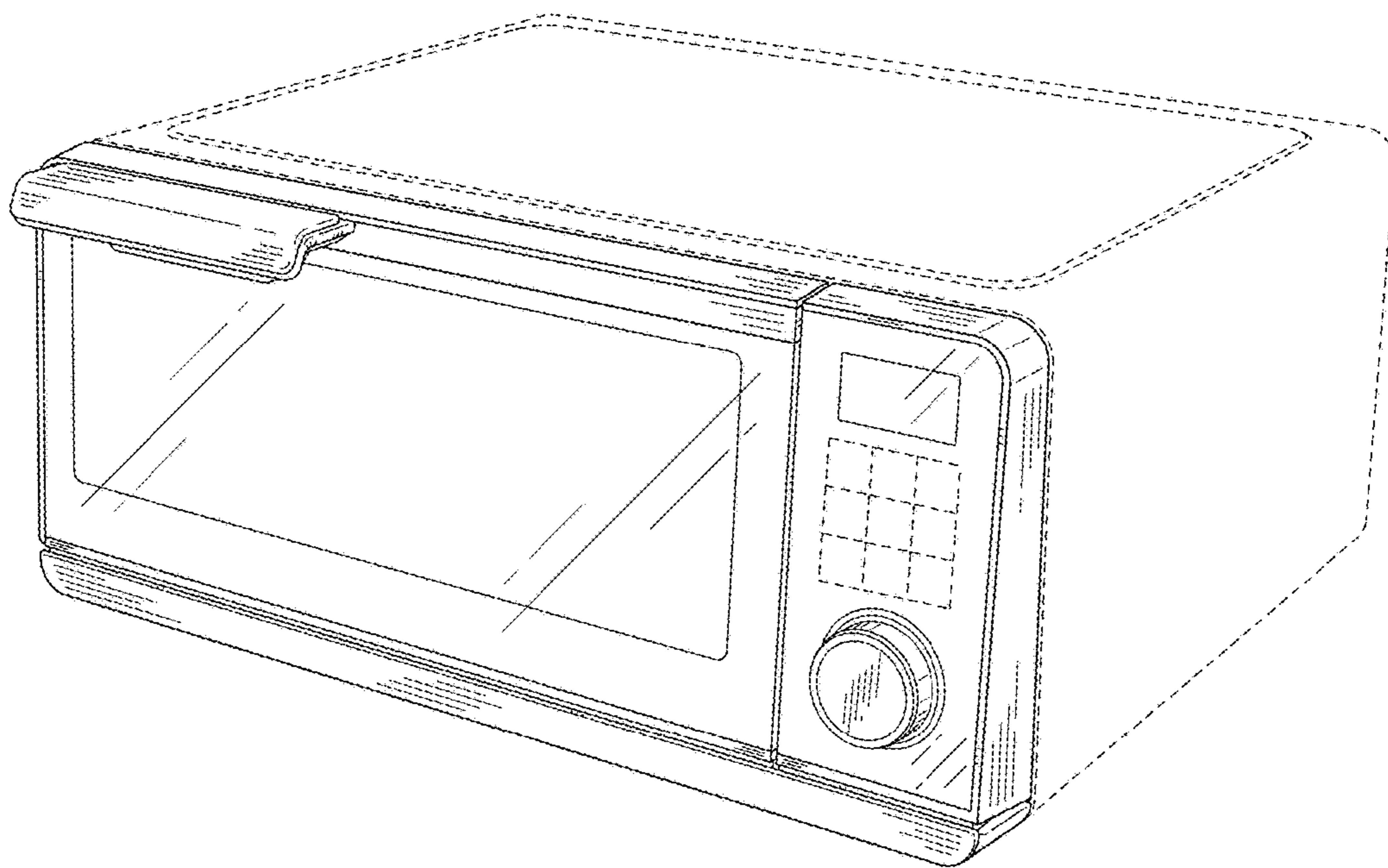


FIG. 2

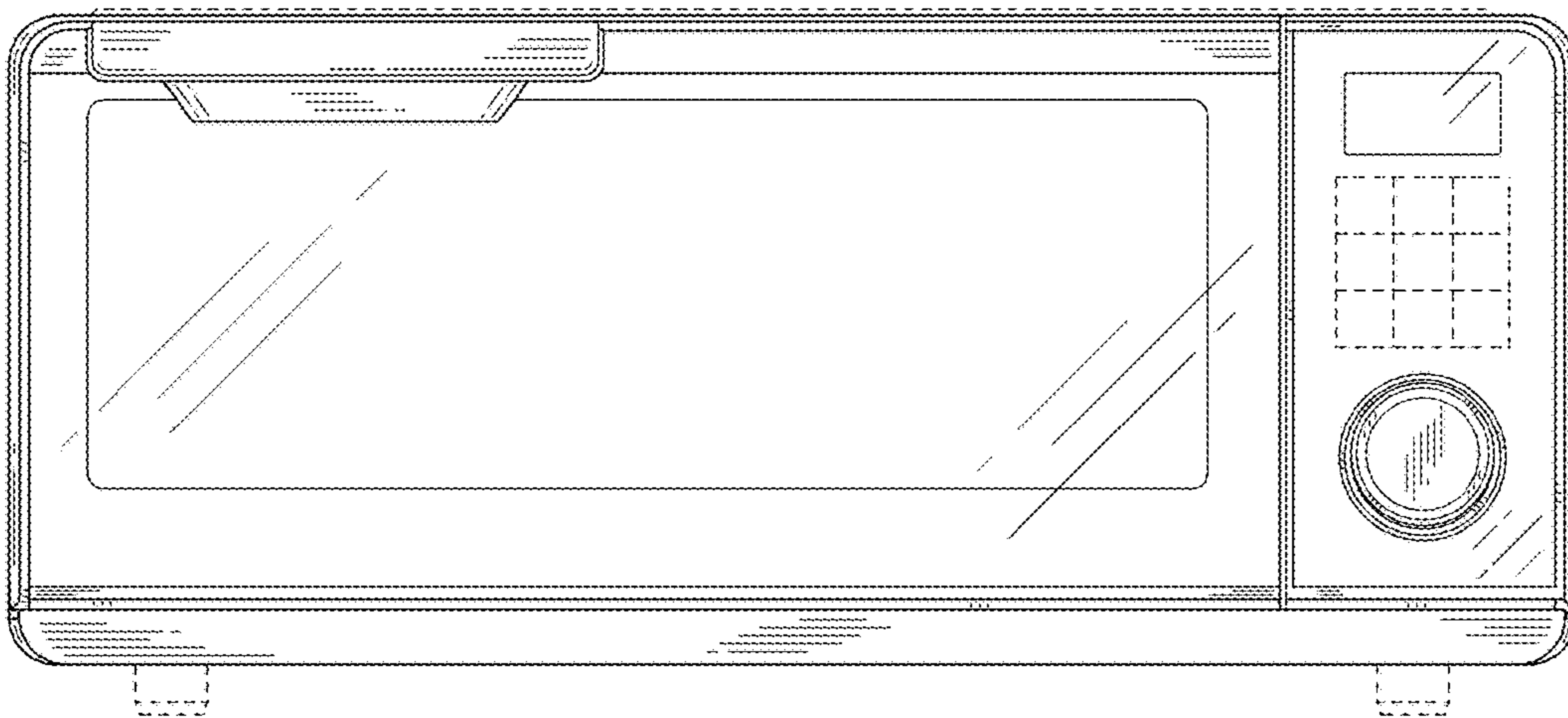


FIG. 3

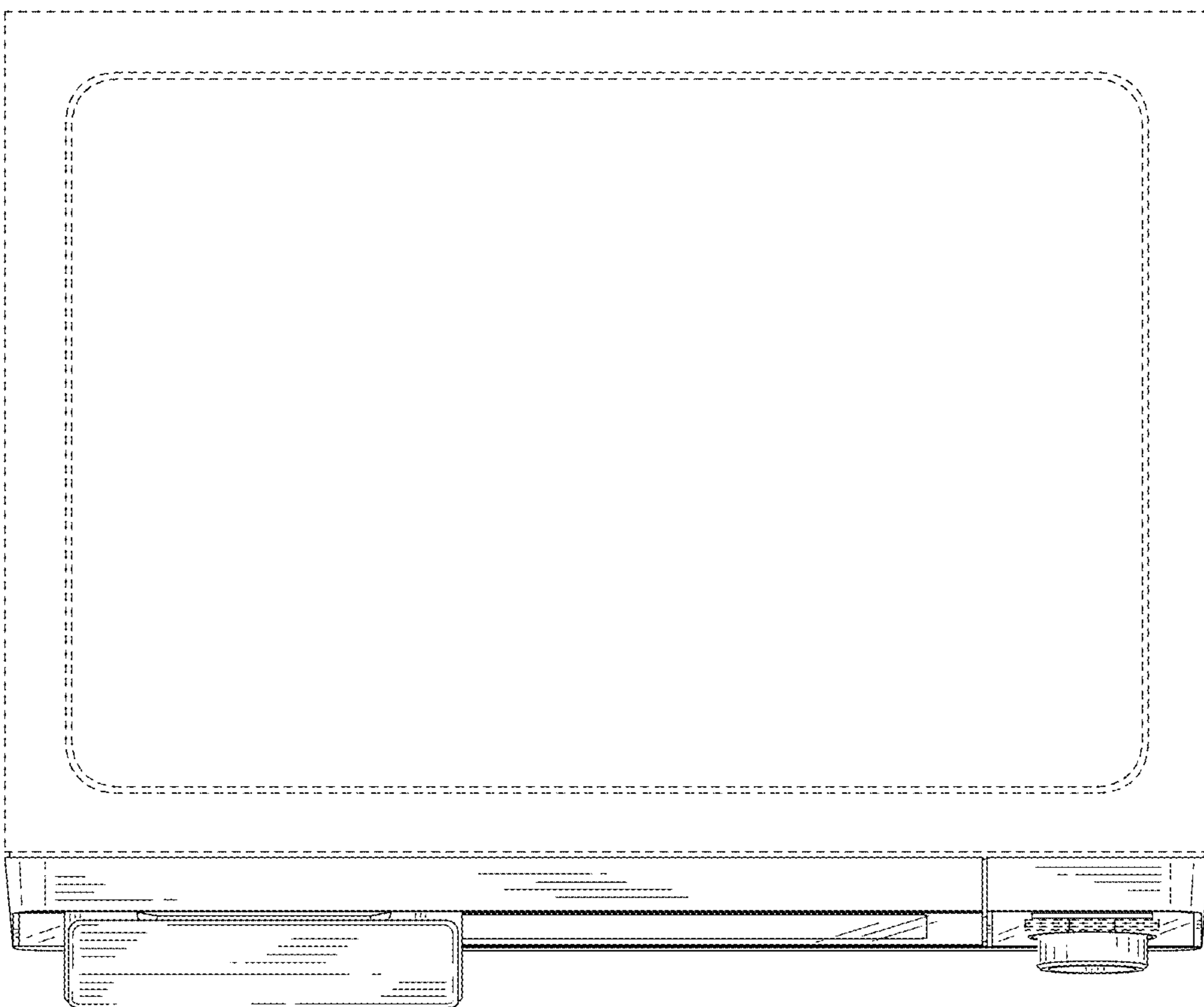


FIG. 4

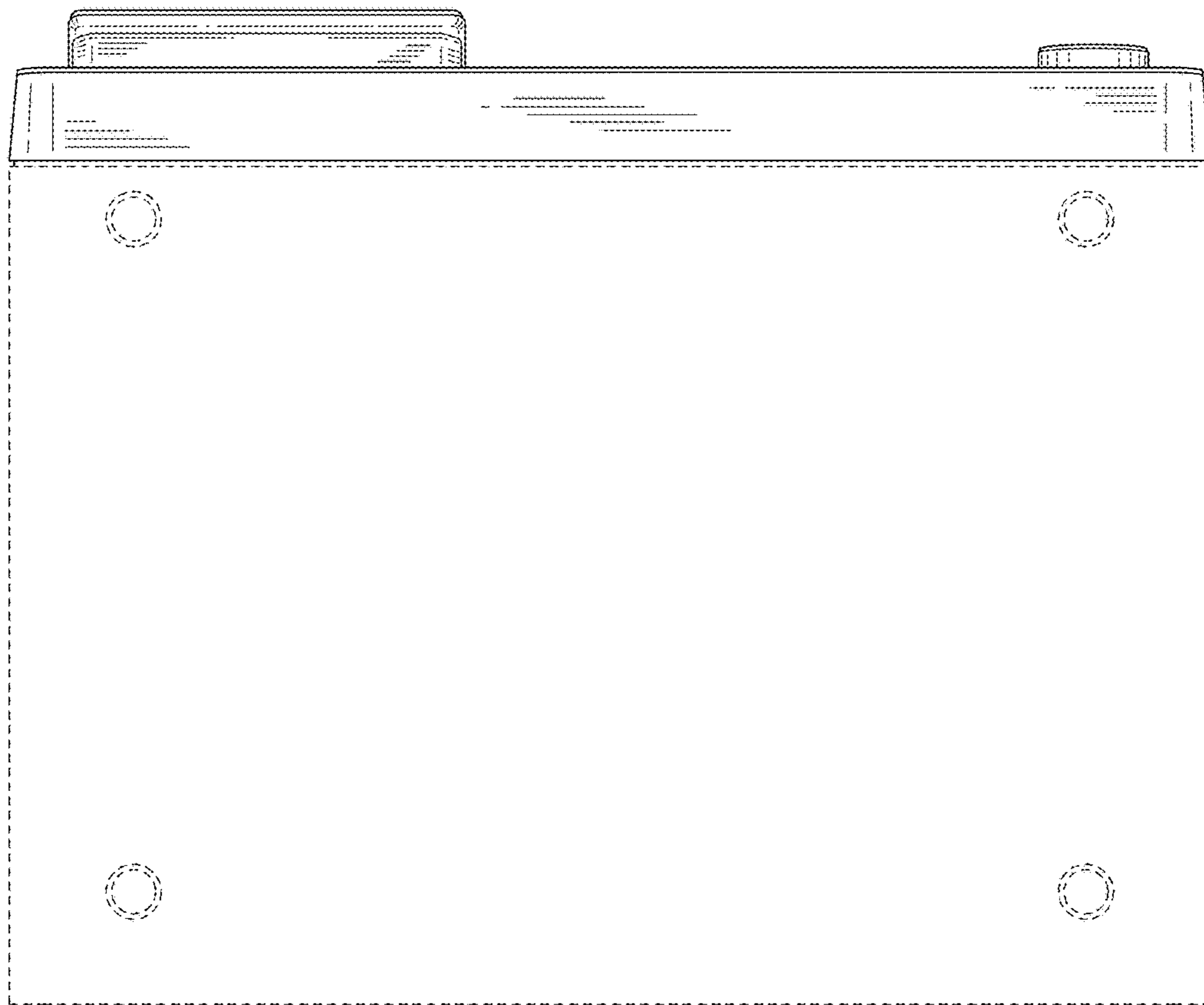


FIG. 5

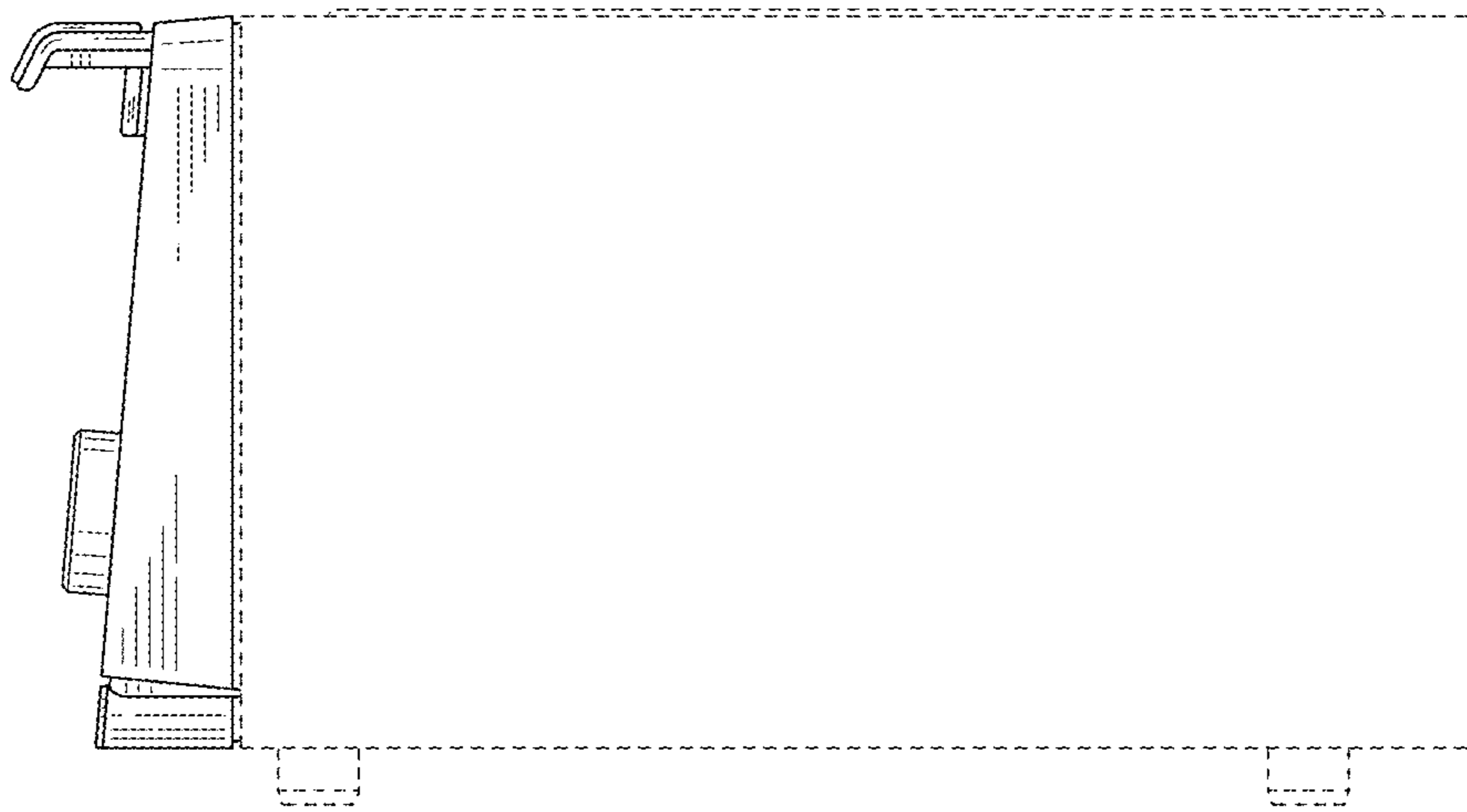


FIG. 6

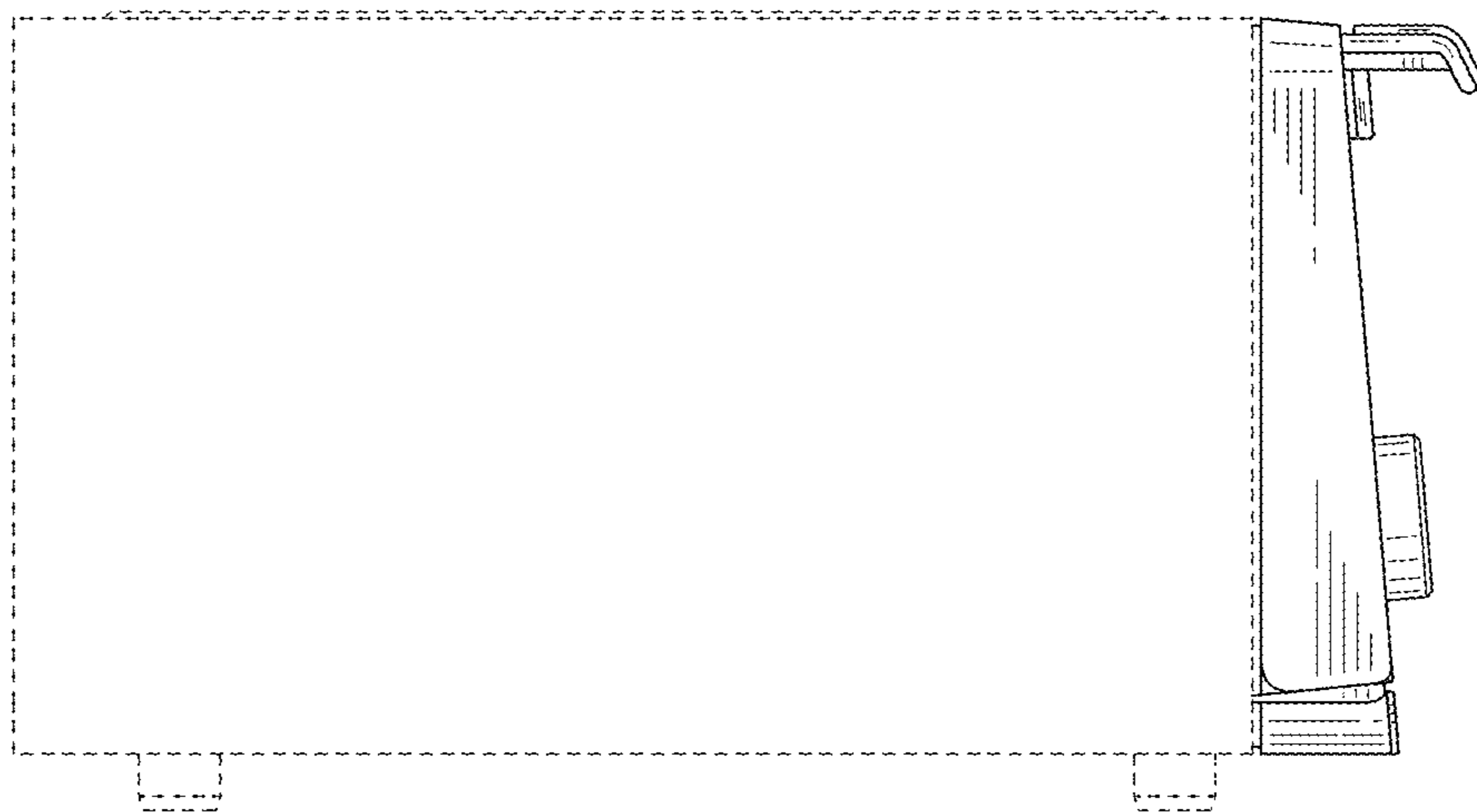


FIG. 7

