



US00D775489S

(12) **United States Design Patent** (10) **Patent No.:** **US D775,489 S**  
**Zemel et al.** (45) **Date of Patent:** **\*\* Jan. 3, 2017**

(54) **DUAL PURPOSE GRILL**  
(71) Applicant: **BLUE RHINO GLOBAL SOURCING, INC.**, Liberty, MO (US)  
(72) Inventors: **Marc Zemel**, Melville, NY (US); **Adam Schillen**, Dix Hills, NY (US)  
(73) Assignee: **BLUE RHINO GLOBAL SOURCING, INC.**, Liberty, MO (US)  
(\*\*) Term: **14 Years**  
(21) Appl. No.: **29/525,226**  
(22) Filed: **Apr. 28, 2015**  
(51) **LOC (10) Cl.** ..... **07-02**  
(52) **U.S. Cl.**  
USPC ..... **D7/332**  
(58) **Field of Classification Search**  
USPC ..... D7/332-337, 402, 323, 327, 339-341, D7/403, 347, 348, 350.1; D34/12, 17, 19, D34/20; D23/286, 343, 345, 348  
CPC A47J 37/0704; A47J 37/0786; A47J 37/0763; A47J 37/0713; A47J 37/0781; A47J 2037/0777; A47J 33/00; A47J 36/36; A47J 36/26; A47J 37/079; F24C 3/14; F24C 7/10; F24C 15/18; F24C 15/12; F24B 1/207  
See application file for complete search history.

(56) **References Cited**  
U.S. PATENT DOCUMENTS  
3,209,743 A \* 10/1965 Stewart ..... A47J 37/079 126/243  
3,224,357 A \* 12/1965 Rubens ..... A47J 37/0704 126/25 R  
D262,651 S \* 1/1982 Louderback ..... D23/343  
4,332,188 A 6/1982 Rhear  
D325,316 S \* 4/1992 Parent ..... D7/332  
5,875,772 A \* 3/1999 Saey ..... A47J 37/079 126/25 B  
6,187,359 B1 2/2001 Zuccarini

7,686,010 B2 3/2010 Gustavsen  
D693,166 S \* 11/2013 Measom ..... D7/350.1  
D708,002 S \* 7/2014 Cruccolini ..... D7/334  
D715,084 S \* 10/2014 Hill ..... D7/332  
D720,569 S \* 1/2015 Hill ..... D7/334  
(Continued)

**FOREIGN PATENT DOCUMENTS**

CN 203314785 U 12/2013  
*Primary Examiner* — Susan Bennett Hattan  
*Assistant Examiner* — Brett Miller  
(74) *Attorney, Agent, or Firm* — Carter, DeLuca, Farrell & Schmidt, LLP

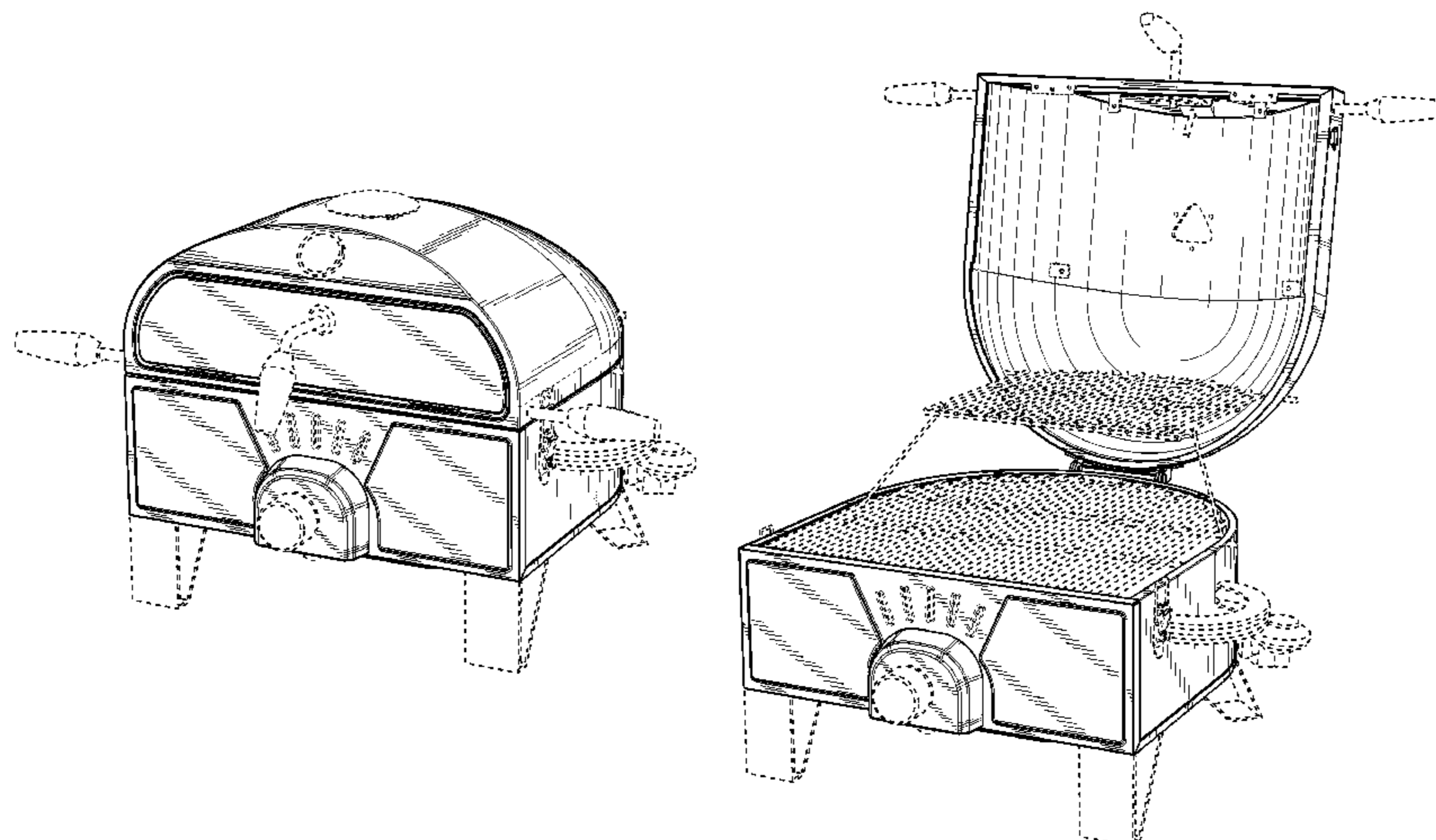
(57) **CLAIM**

The ornamental design for a dual purpose grill, as shown and described.

**DESCRIPTION**

FIG. 1 is a front perspective view of a dual purpose grill in accordance with the present design;  
FIG. 2 is a front side elevational view thereof;  
FIG. 3 is a rear side elevational view thereof;  
FIG. 4 is a right side elevational view thereof;  
FIG. 5 is a left side elevational view thereof;  
FIG. 6 is a top plan view thereof;  
FIG. 7 is a bottom plan view thereof;  
FIG. 8 is a front perspective view of the dual purpose grill in an open configuration;  
FIG. 9 is a front side elevational view thereof;  
FIG. 10 is a rear side elevational view thereof;  
FIG. 11 is a right side elevational view thereof;  
FIG. 12 is a left side elevational view thereof;  
FIG. 13 is a top plan view thereof; and,  
FIG. 14 is a bottom plan view thereof.  
The broken lines shown in the drawings illustrate portions of the dual purpose grill that form no part of the claimed design.

**1 Claim, 14 Drawing Sheets**



(56)

**References Cited**

U.S. PATENT DOCUMENTS

D730,105 S *	5/2015	Borovicka .....	D7/350.1
2001/0035176 A1 *	11/2001	Bush, III .....	A47J 37/0704 126/25 R
2002/0017290 A1	2/2002	Hines	
2006/0070614 A1	4/2006	Spangrud	
2006/0102167 A1	5/2006	Driscoll	
2007/0119445 A1 *	5/2007	Wen .....	A47J 36/26 126/25 AA
2007/0221191 A1	9/2007	O'Brien et al.	
2010/0124596 A1	5/2010	Nelson	
2011/0214662 A1	9/2011	Contarino, Jr.	
2014/0026881 A1	1/2014	Abrams et al.	
2014/0130788 A1	5/2014	Contarino, Jr.	
2014/0196609 A1	7/2014	Snyman	

\* cited by examiner

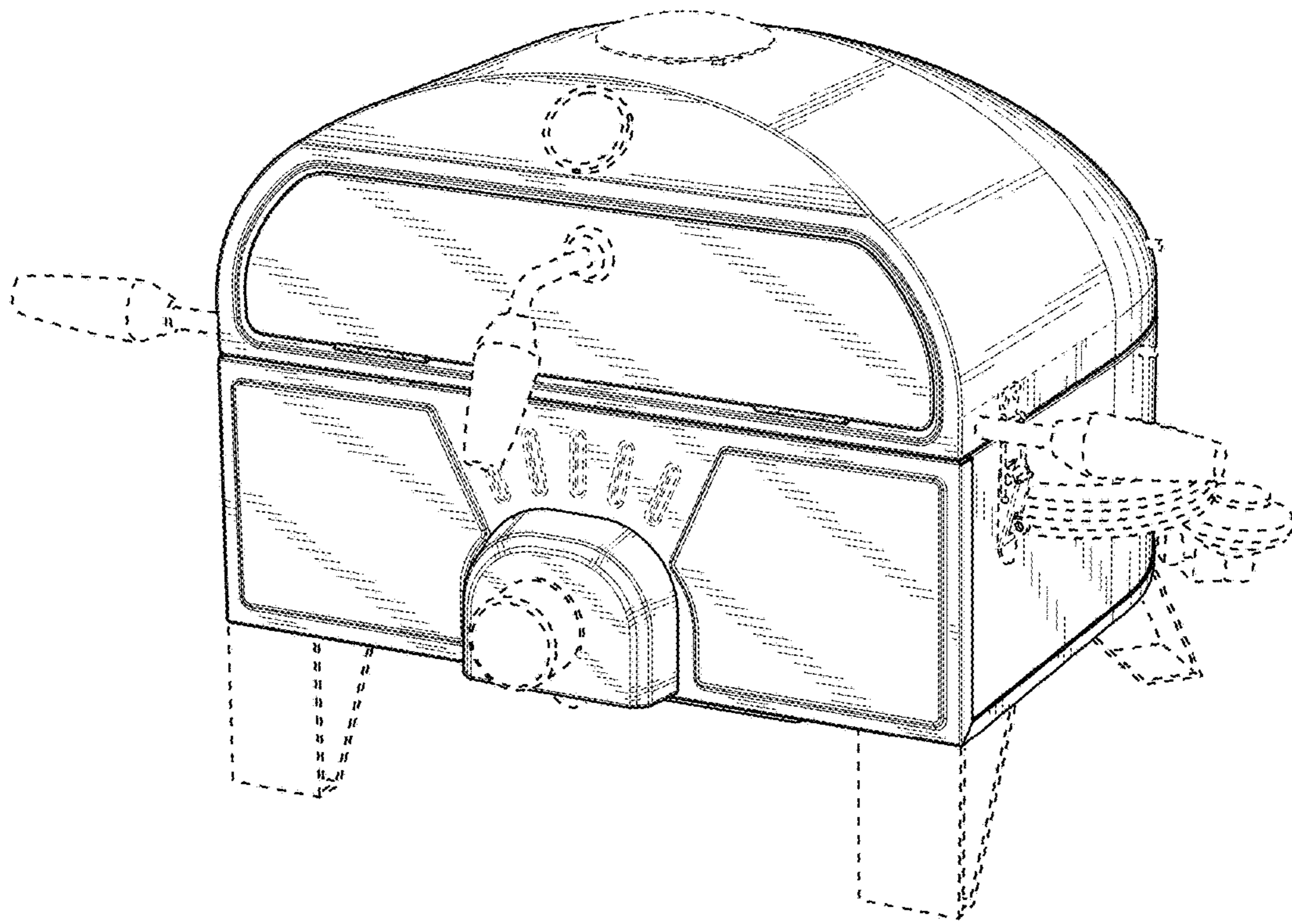


FIG. 1

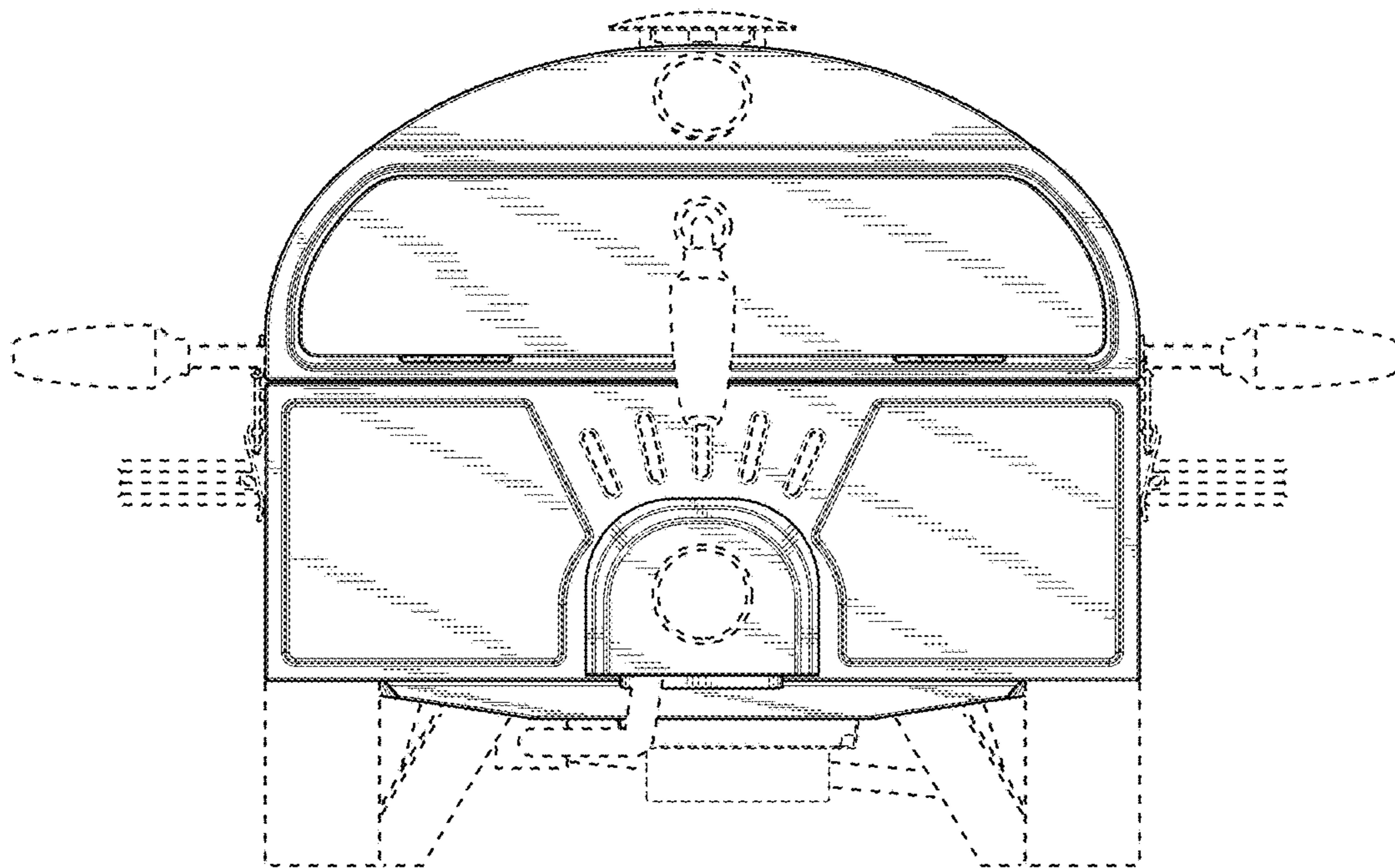


FIG. 2



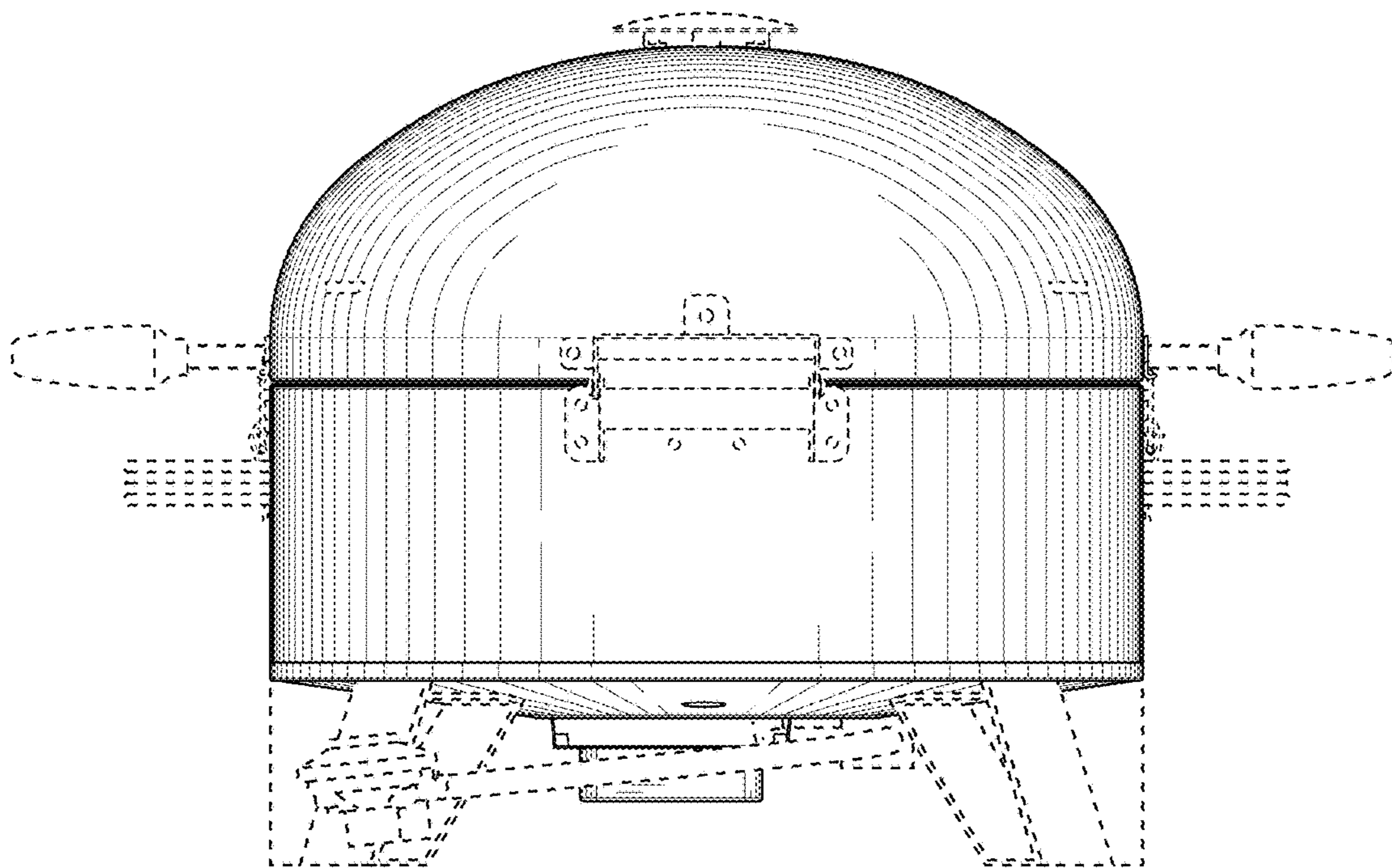


FIG. 3

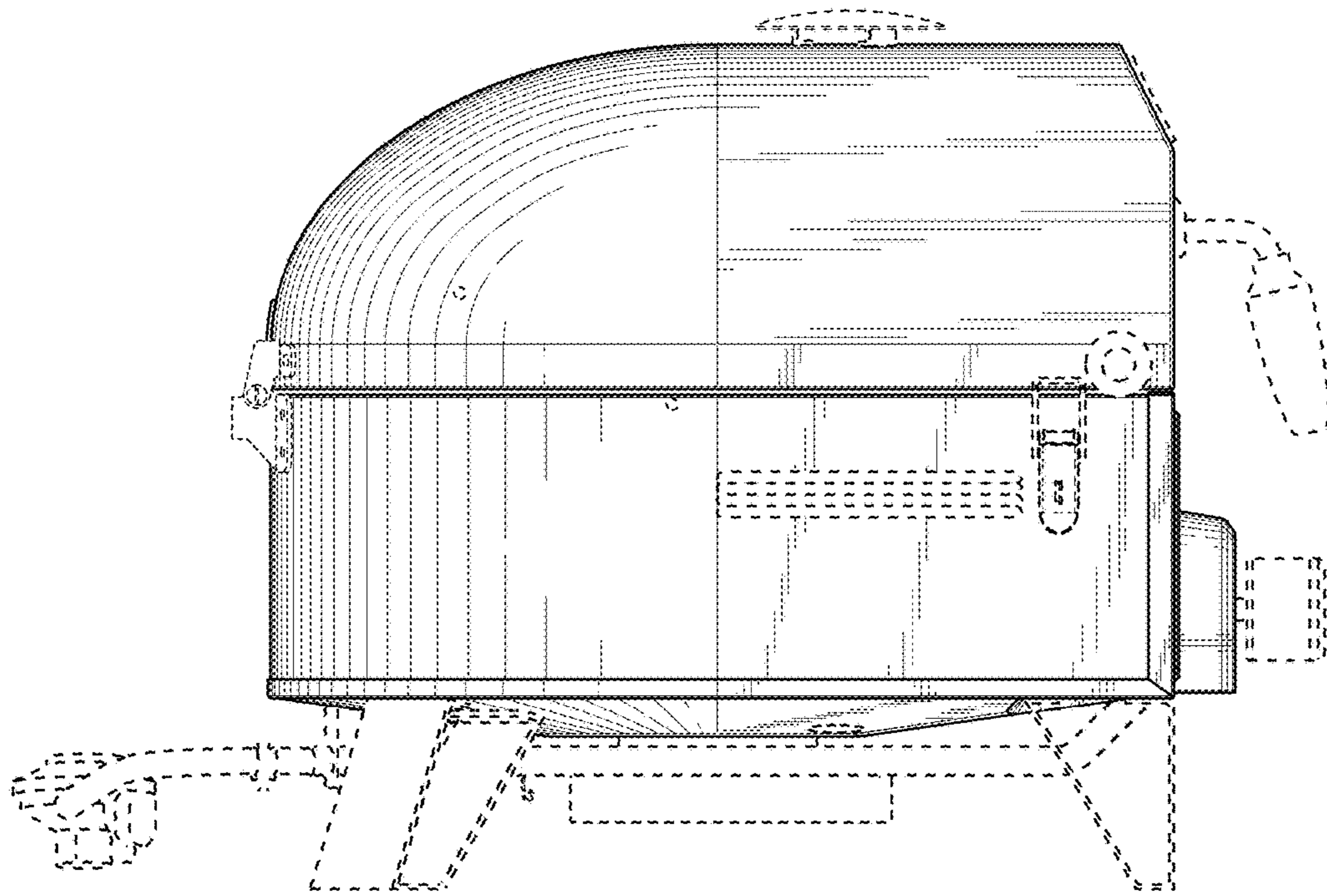


FIG. 4

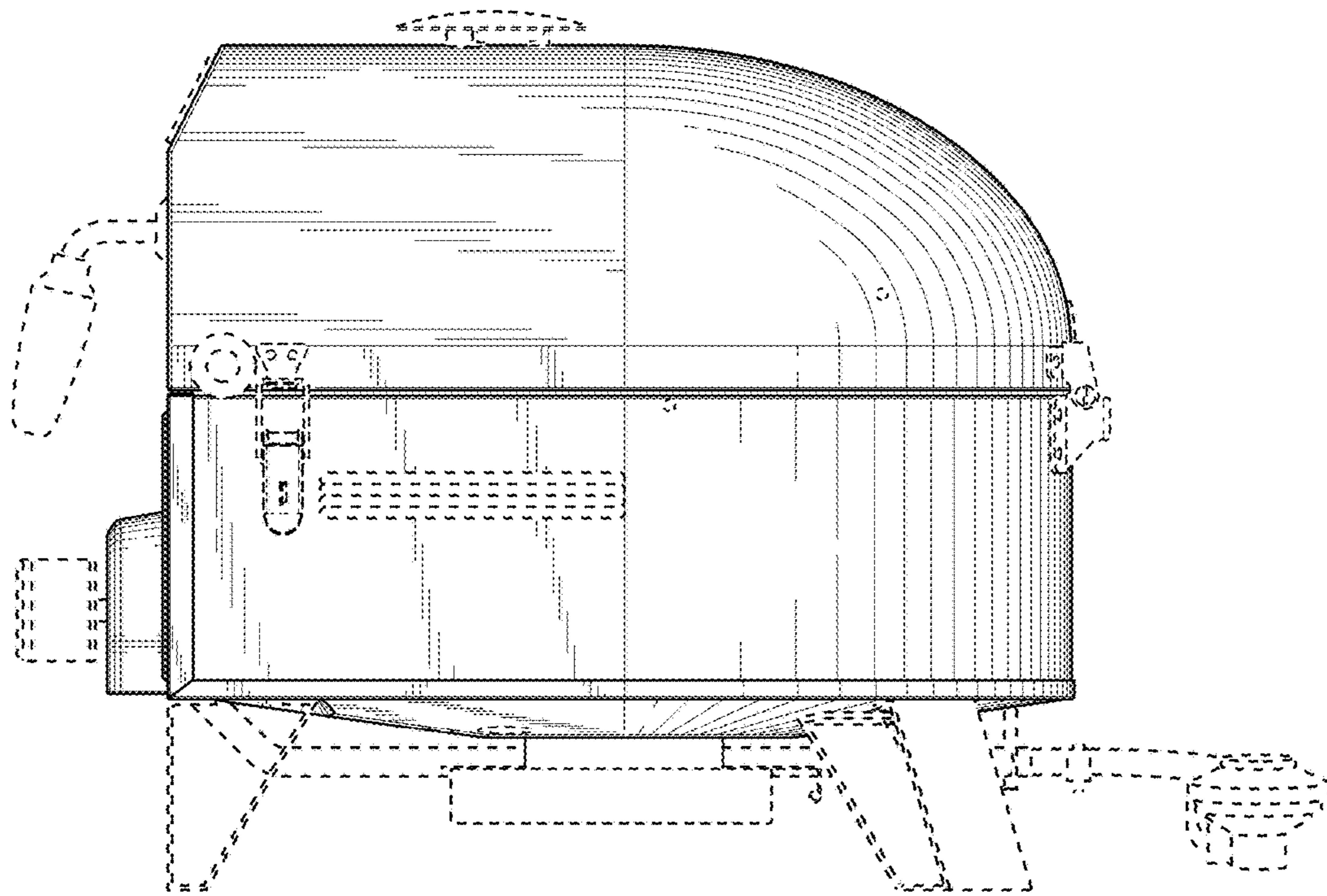


FIG. 5

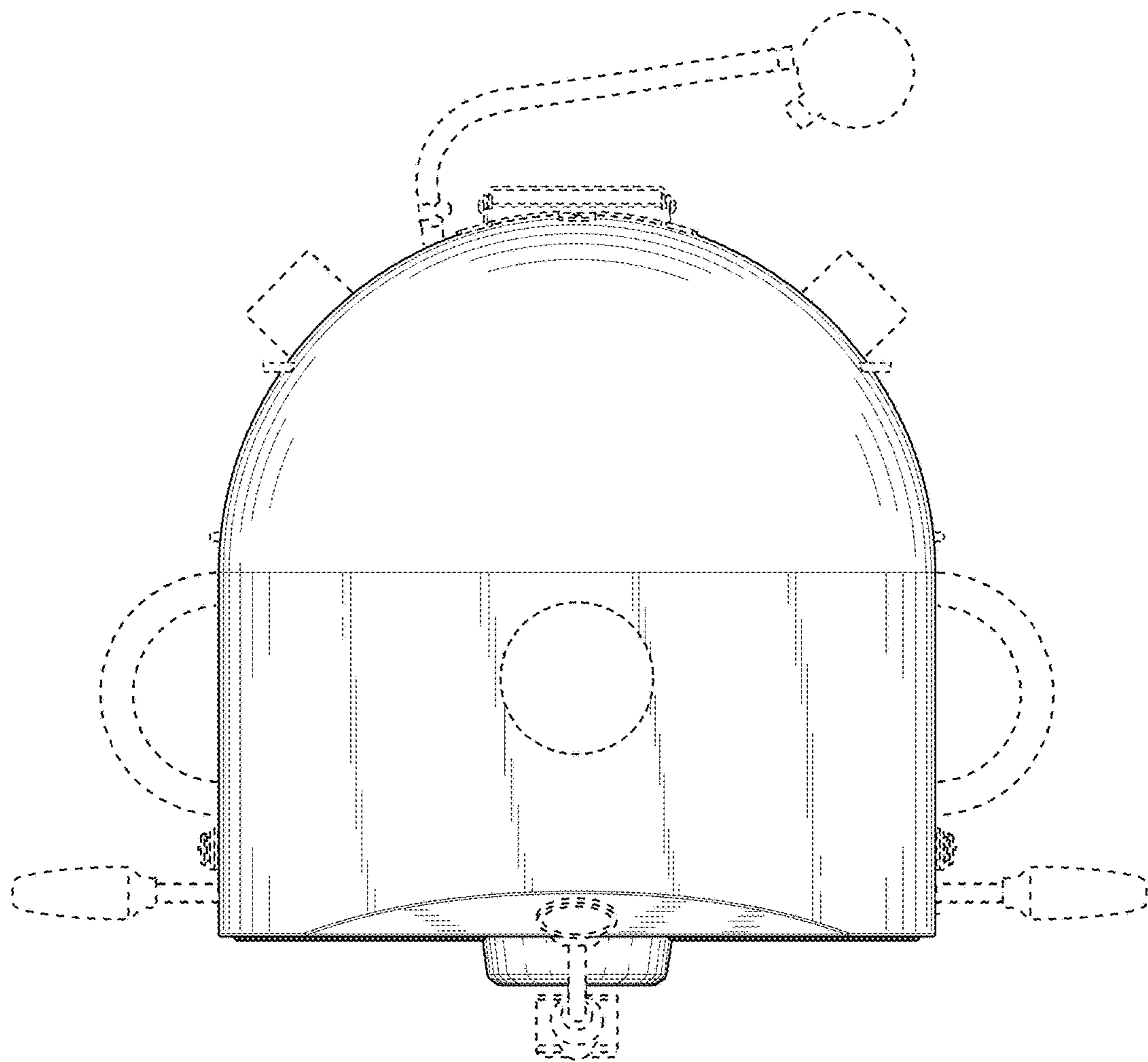


FIG. 6



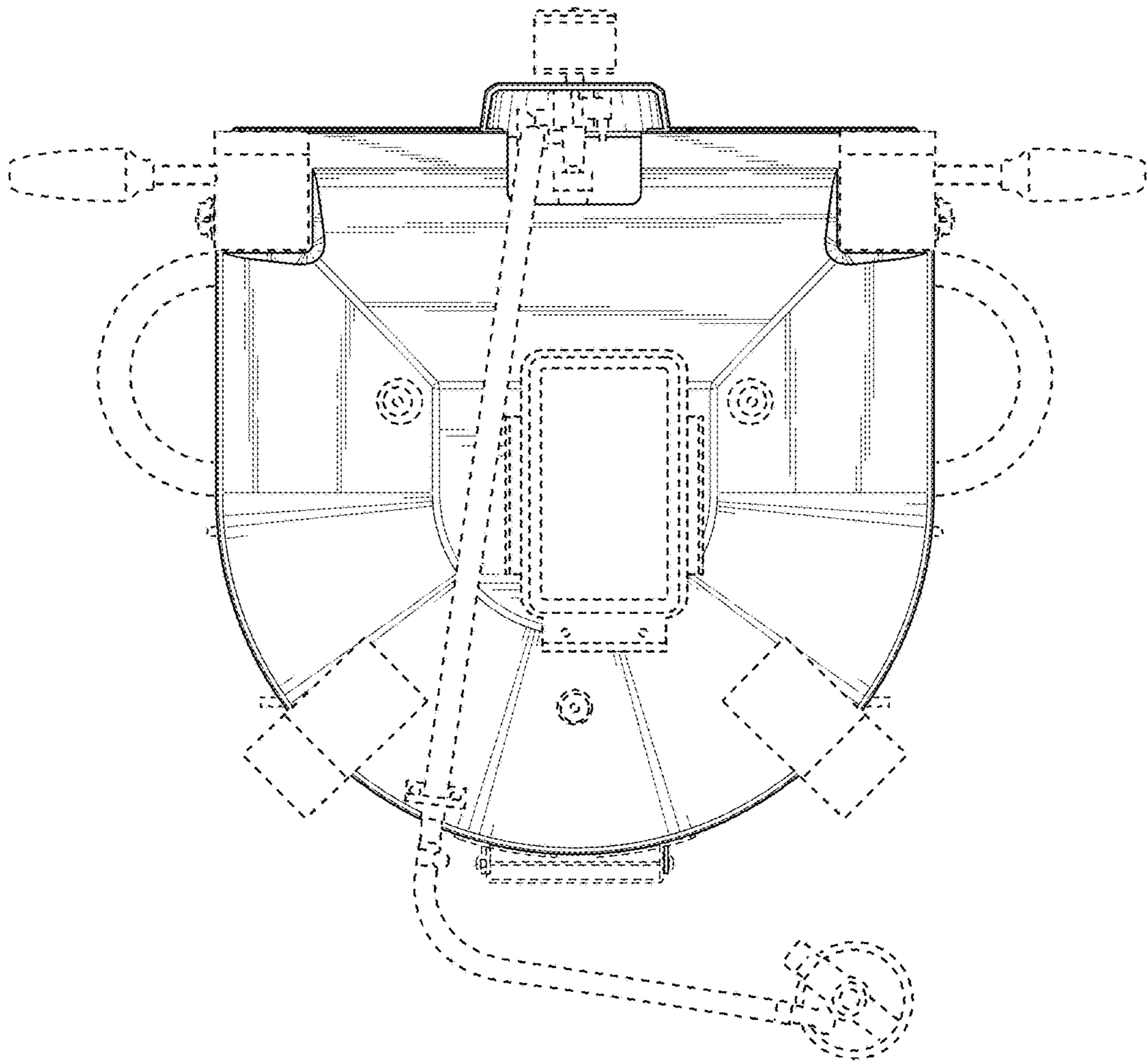


FIG. 7

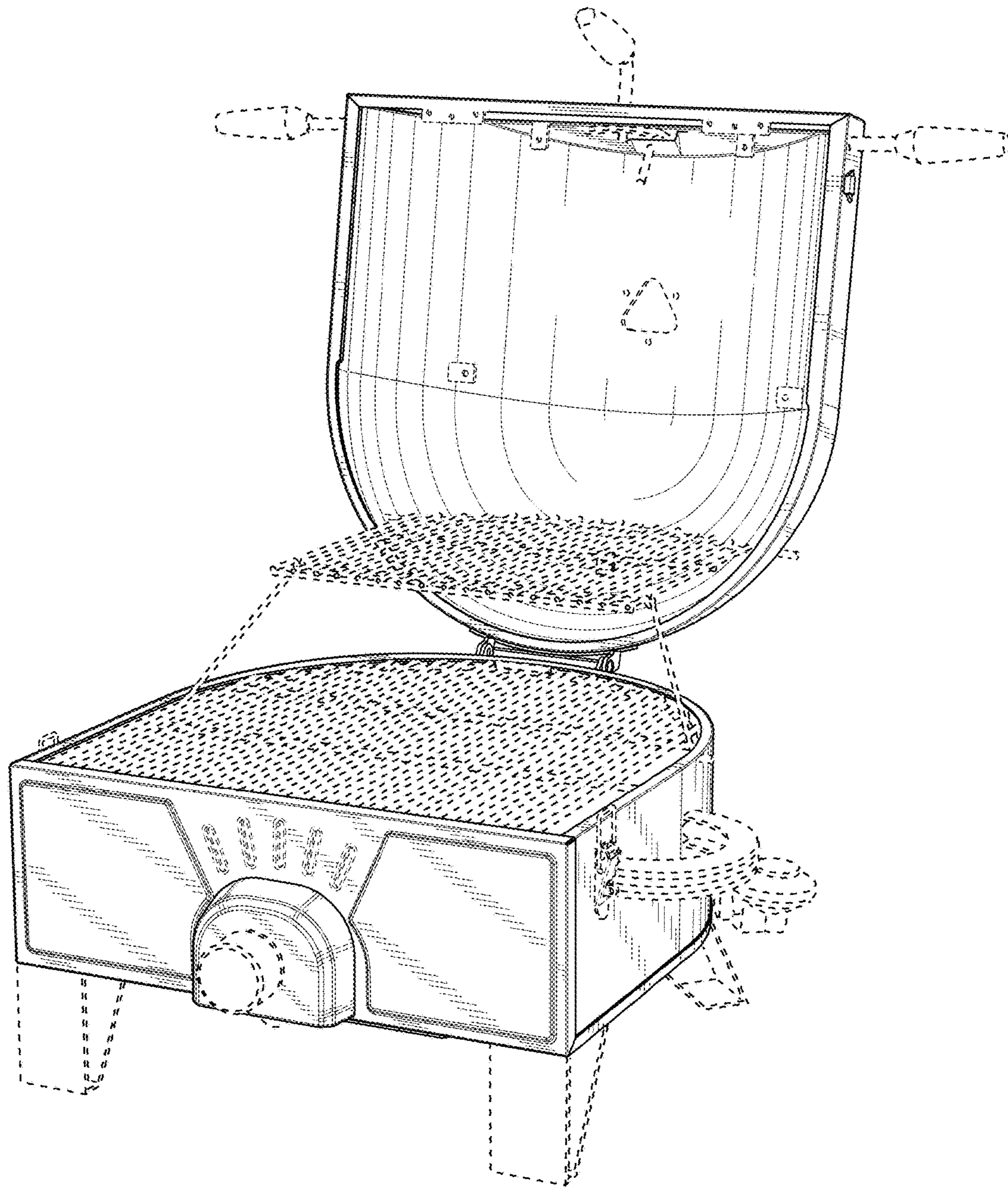


FIG. 8

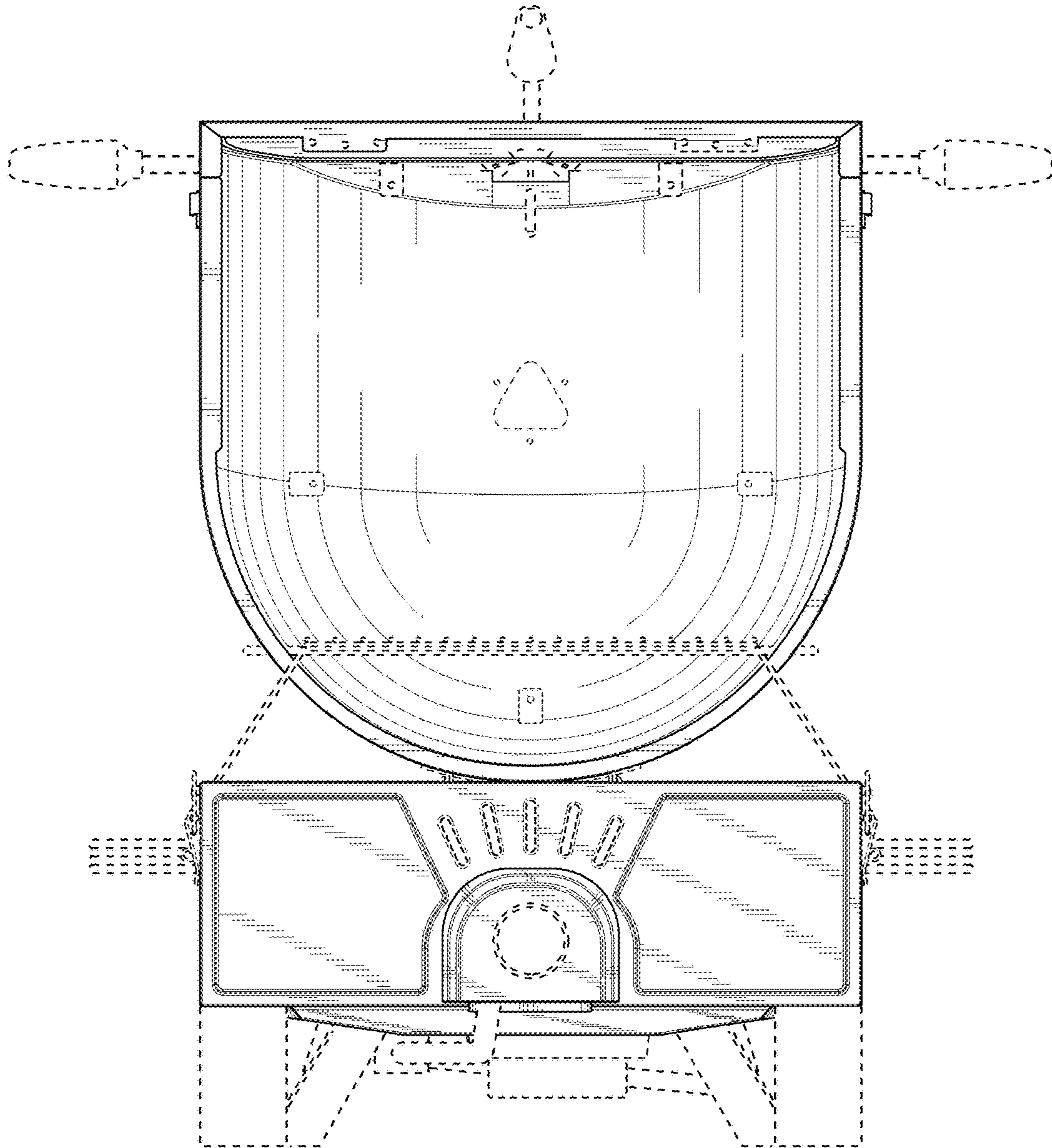


FIG. 9



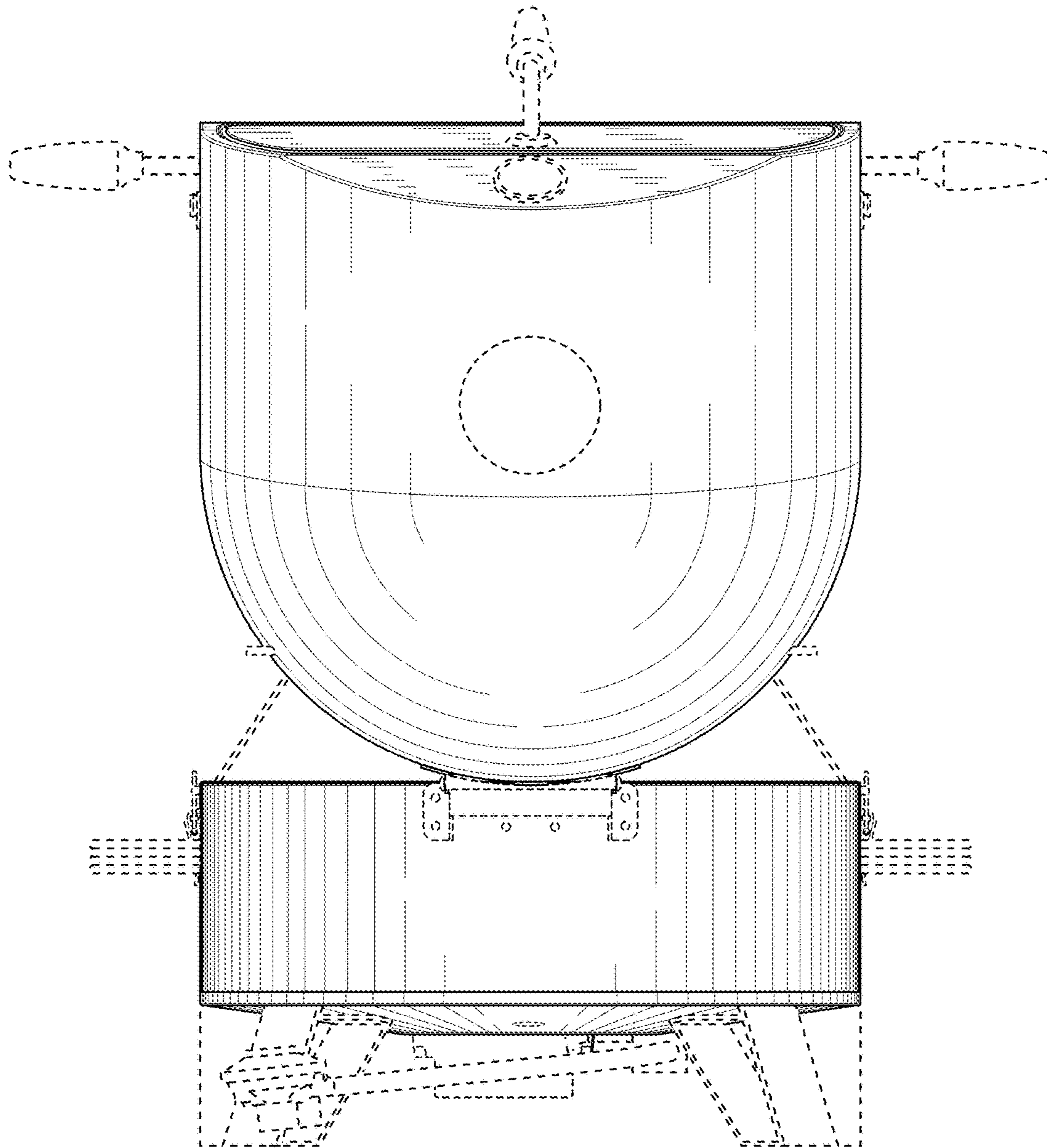


FIG. 10



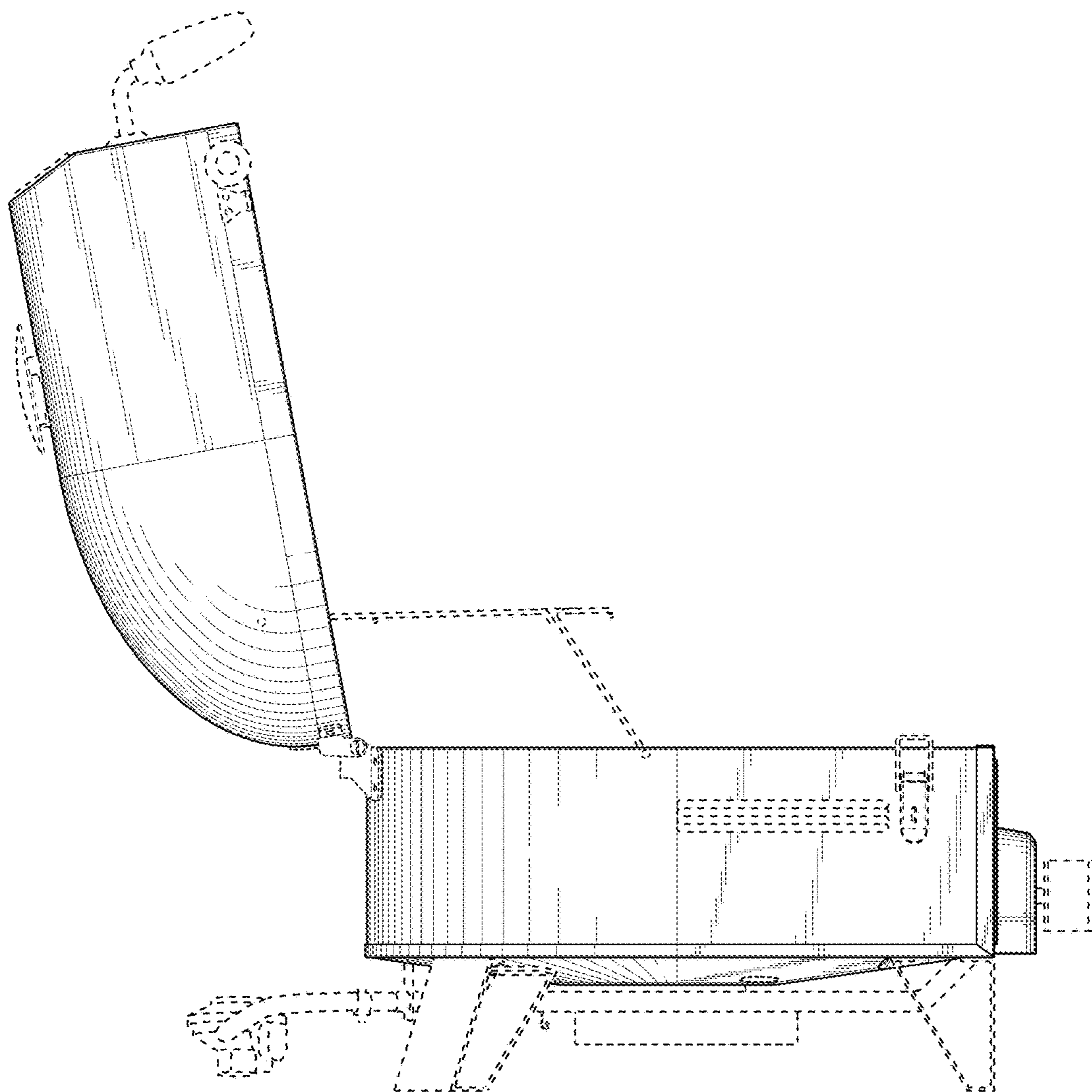


FIG. 11

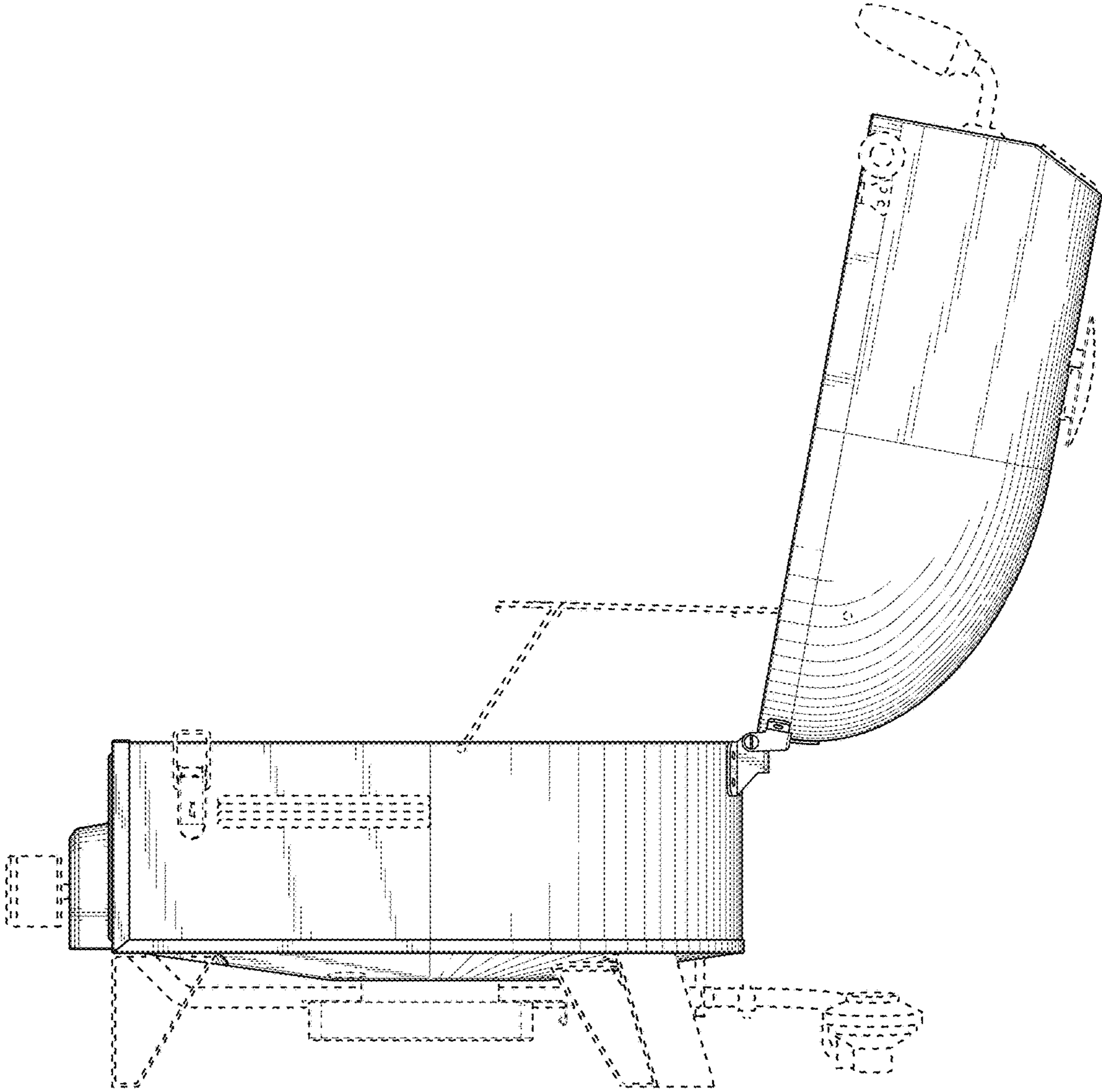


FIG. 12

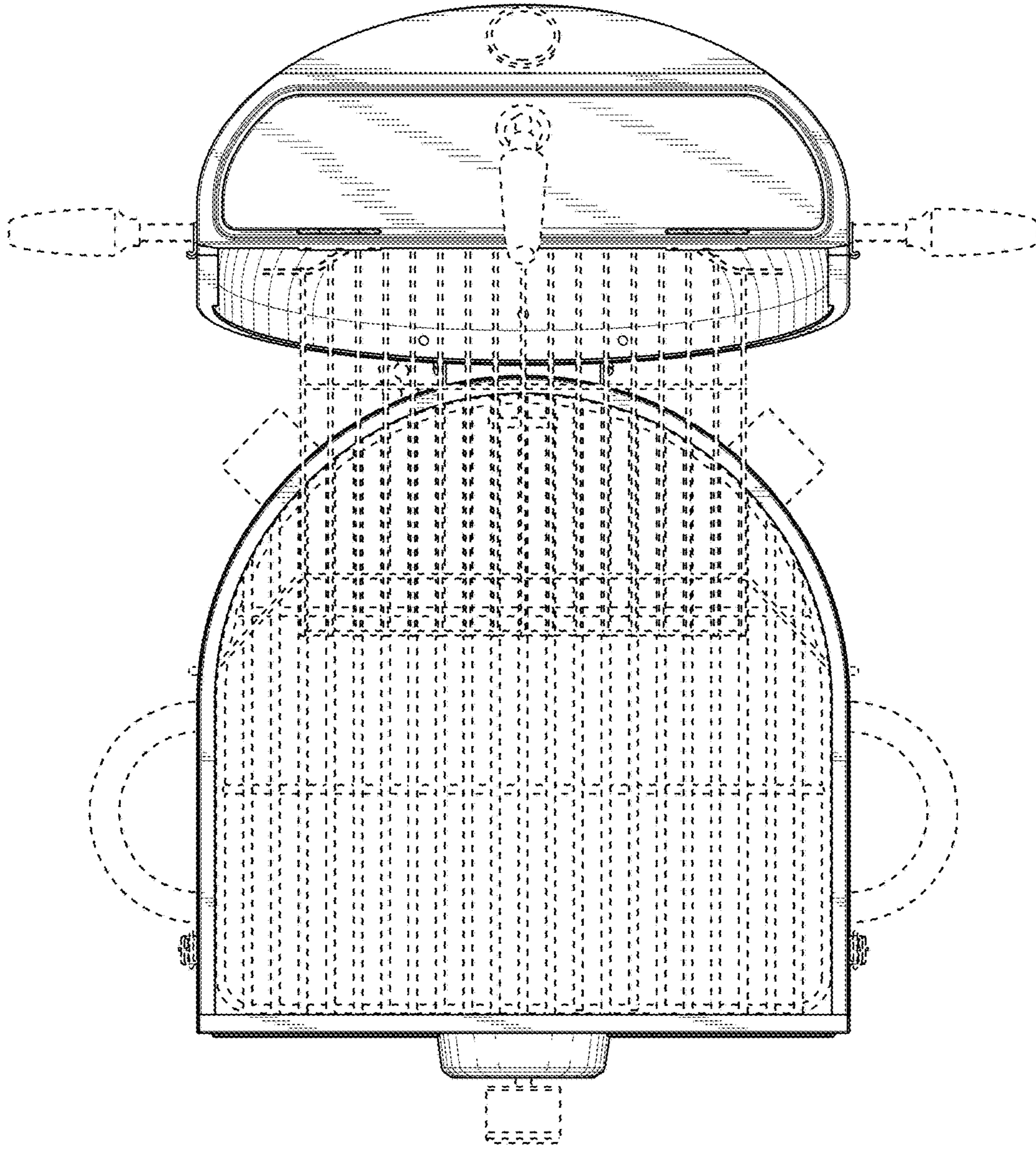


FIG. 13

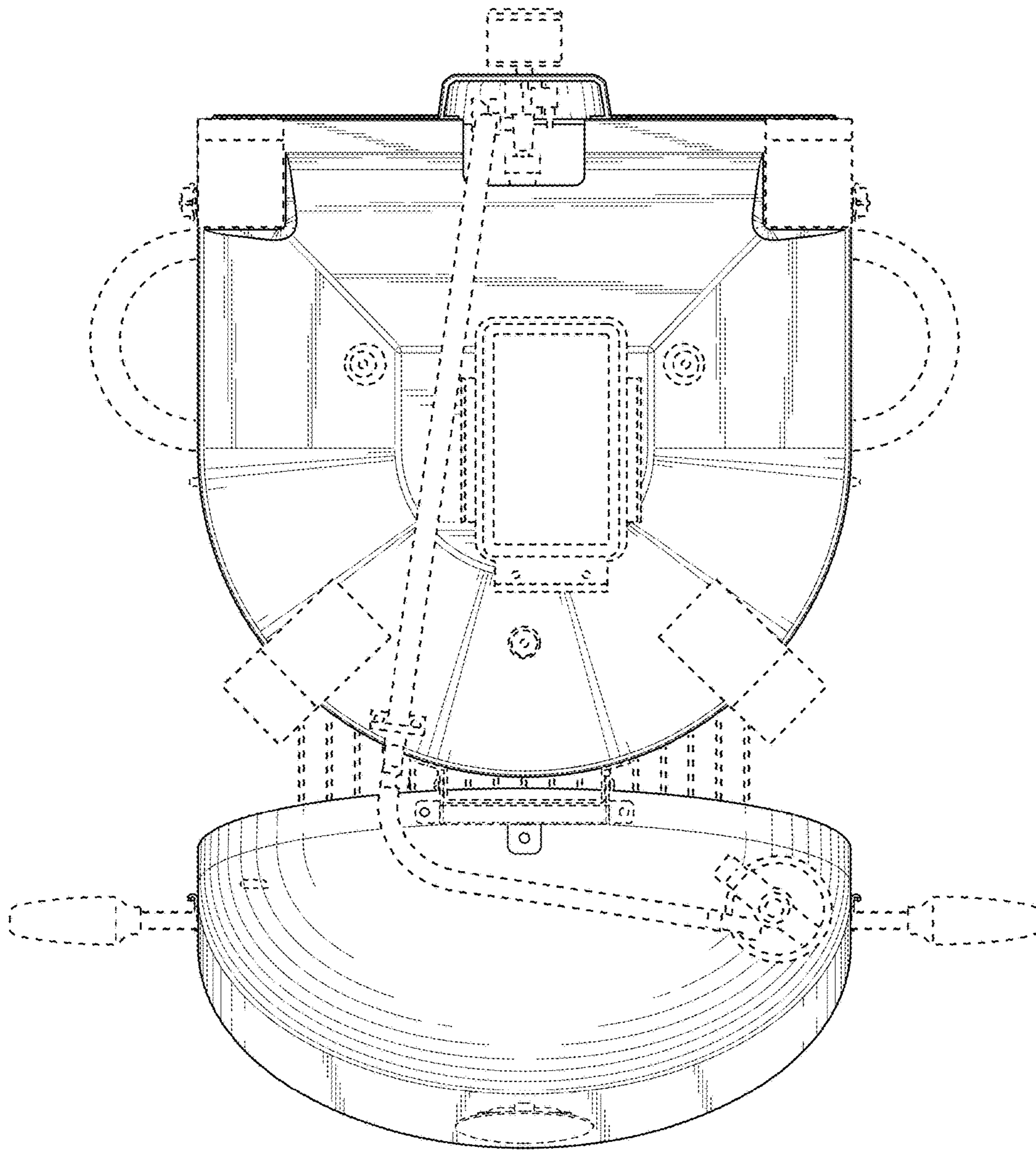


FIG. 14