



US00D775487S

(12) **United States Design Patent** (10) **Patent No.:** **US D775,487 S**  
**Bettin** (45) **Date of Patent:** **\*\* Jan. 3, 2017**

(54) **TABLE** 4,941,413 A \* 7/1990 Vanderminden ..... A47B 3/12  
108/156  
(71) Applicant: **Dario Bettin**, Bari (IT) D359,639 S \* 6/1995 Noll ..... D6/691.1  
D361,230 S \* 8/1995 Vignelli ..... D6/685  
(72) Inventor: **Dario Bettin**, Bari (IT) D426,989 S \* 6/2000 Pagnon ..... D6/691.6  
D449,490 S \* 10/2001 Frederick ..... D7/332  
(\*\*) Term: **15 Years** D599,142 S \* 9/2009 Lovegrove ..... D6/708.16  
D668,890 S \* 10/2012 Andersen ..... D6/691.6  
D668,891 S \* 10/2012 Andersen ..... D6/691.6  
(21) Appl. No.: **29/537,993** 8,303,041 B2 \* 11/2012 Gasser ..... A47B 13/02  
248/163.1

(22) Filed: **Aug. 31, 2015**  
(51) **LOC (10) Cl.** ..... **06-03**  
(52) **U.S. Cl.**  
USPC ..... **D6/691.7**  
(58) **Field of Classification Search**  
USPC ..... D6/707.1, 642, 655.2, 685, 691, 691.6,  
D6/691.7, 688.13, 691.1, 691.2, 707.19,  
D6/691.8, 691.9, 701, 707, 707.23, 641,  
D6/644, 656, 657, 656.19, 691.4, 691.5,  
D6/691.3, 650, 708.23, 708.24  
CPC ..... A47B 7/00; A47B 13/08; A47B 13/10;  
A47B 21/00; A47B 2009/006; A47B  
11/00  
See application file for complete search history.

(56) **References Cited**  
**U.S. PATENT DOCUMENTS**  
488,983 A \* 1/1893 Byrkit ..... A47B 19/04  
248/447  
D113,409 S \* 2/1939 Vavrik ..... D6/691.6  
3,366,079 A \* 1/1968 Koransky ..... A47B 3/12  
108/118  
D233,392 S \* 10/1974 Hutchison ..... D6/691.6  
D240,436 S \* 7/1976 Rosenberg ..... D30/106  
D280,275 S \* 8/1985 Criqui ..... D6/692.4

**OTHER PUBLICATIONS**

Zila Round End Table [online]. Overstock.com, Nov. 8, 2013 [retrieved on Jul. 29, 2016]. Retrieved from the Internet:<<http://www.overstock.com/Home-Garden/Zila-Round-End-Table/8034067/product.html>>.\*

\* cited by examiner

*Primary Examiner* — Eric Goodman  
*Assistant Examiner* — Sloan Rozin  
(74) *Attorney, Agent, or Firm* — Egbert Law Offices, PLLC

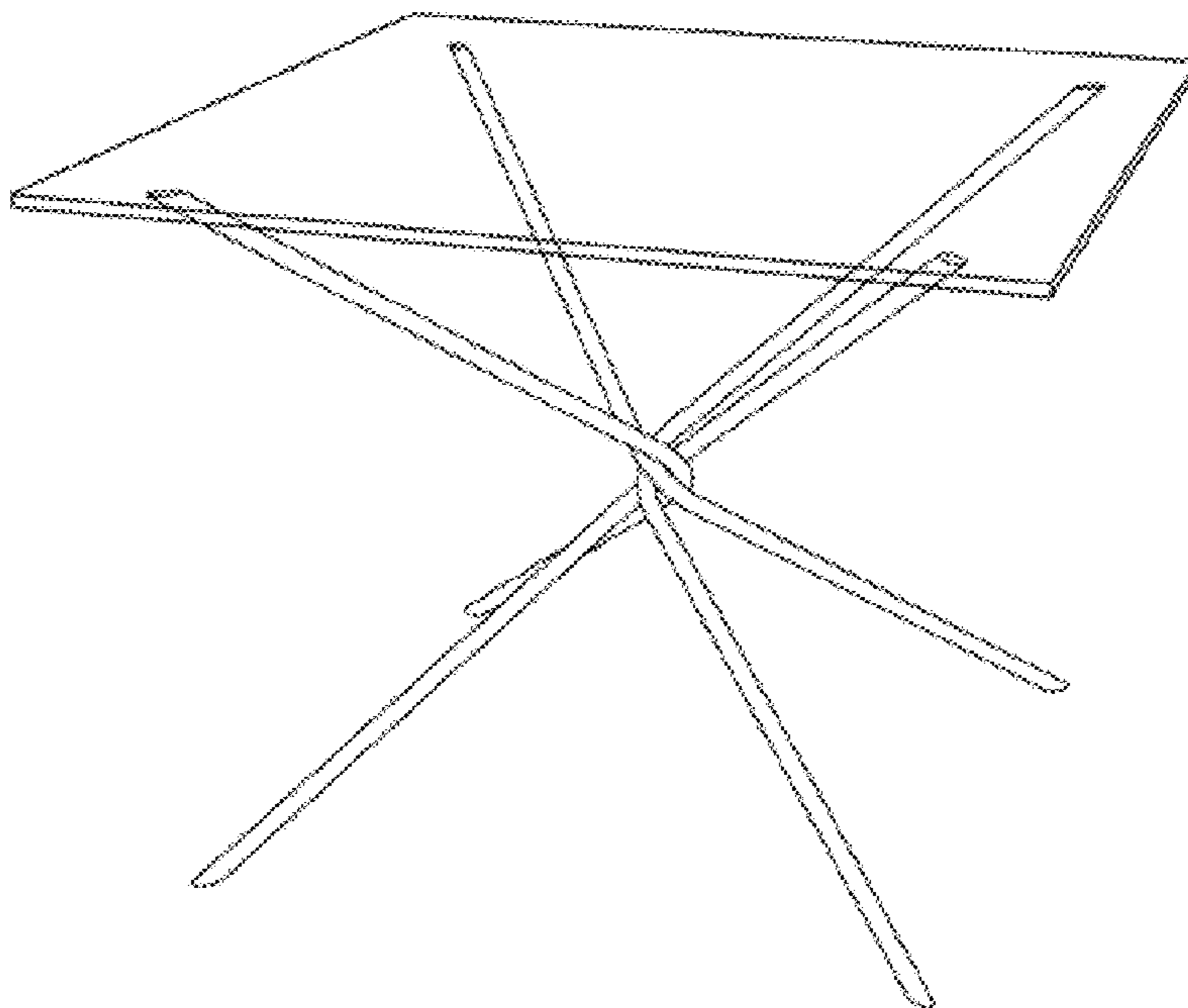
(57) **CLAIM**

The ornamental design for a table, as shown and described.

**DESCRIPTION**

FIG. 1 is a side view of a table showing my new design.  
FIG. 2 is a top view thereof; and,  
FIG. 3 is a perspective view thereof.

**1 Claim, 2 Drawing Sheets**



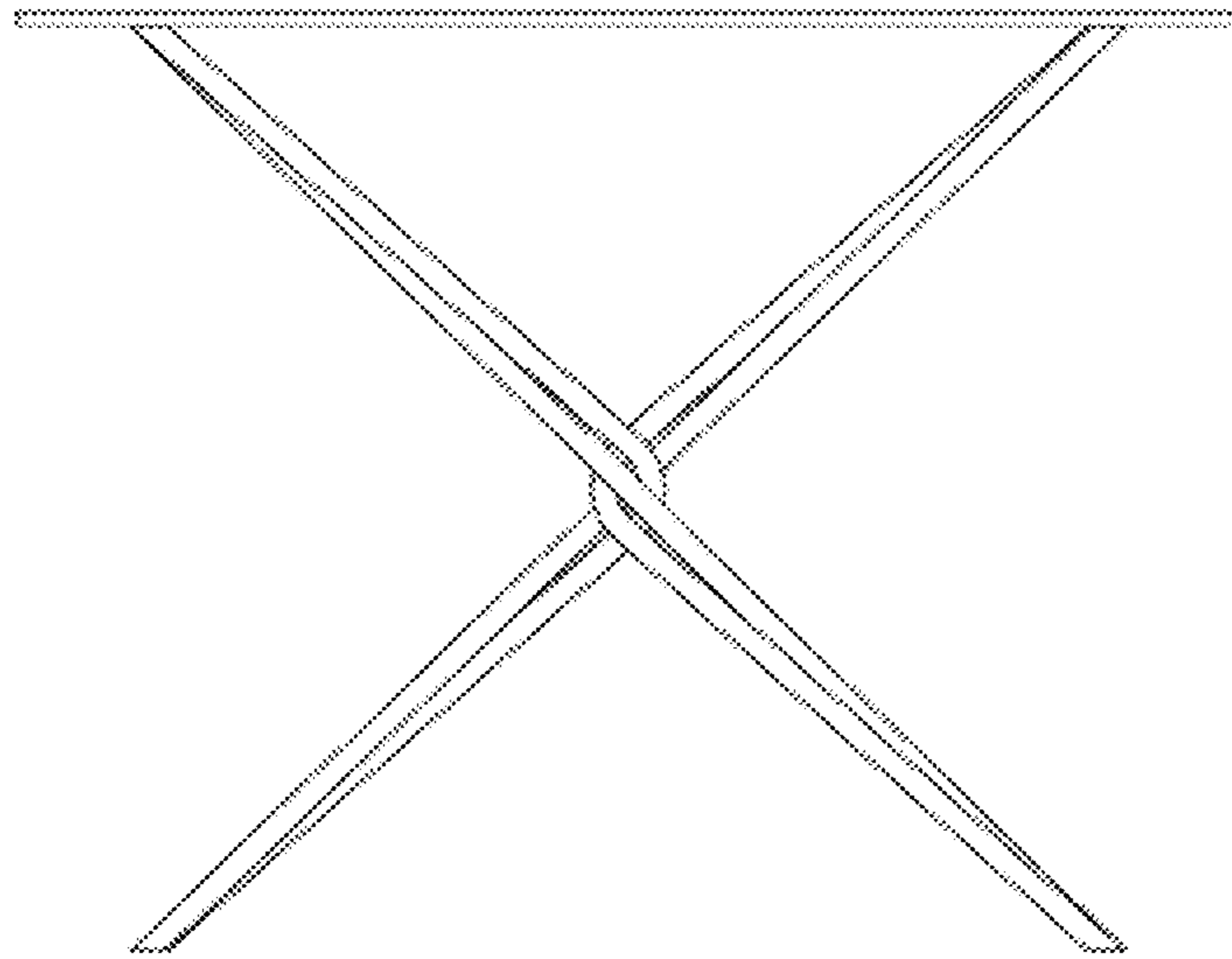


FIG. 1

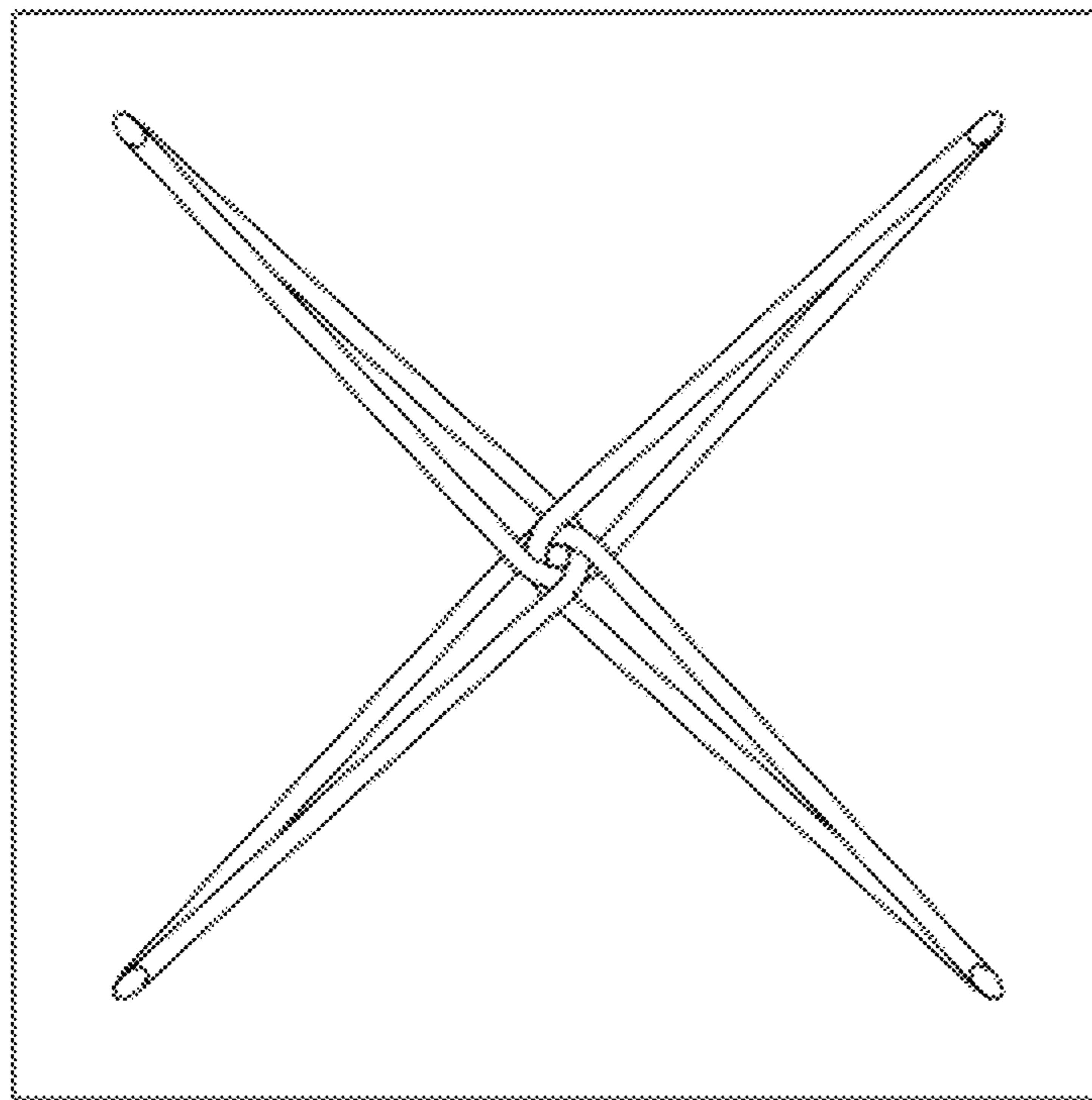


FIG. 2

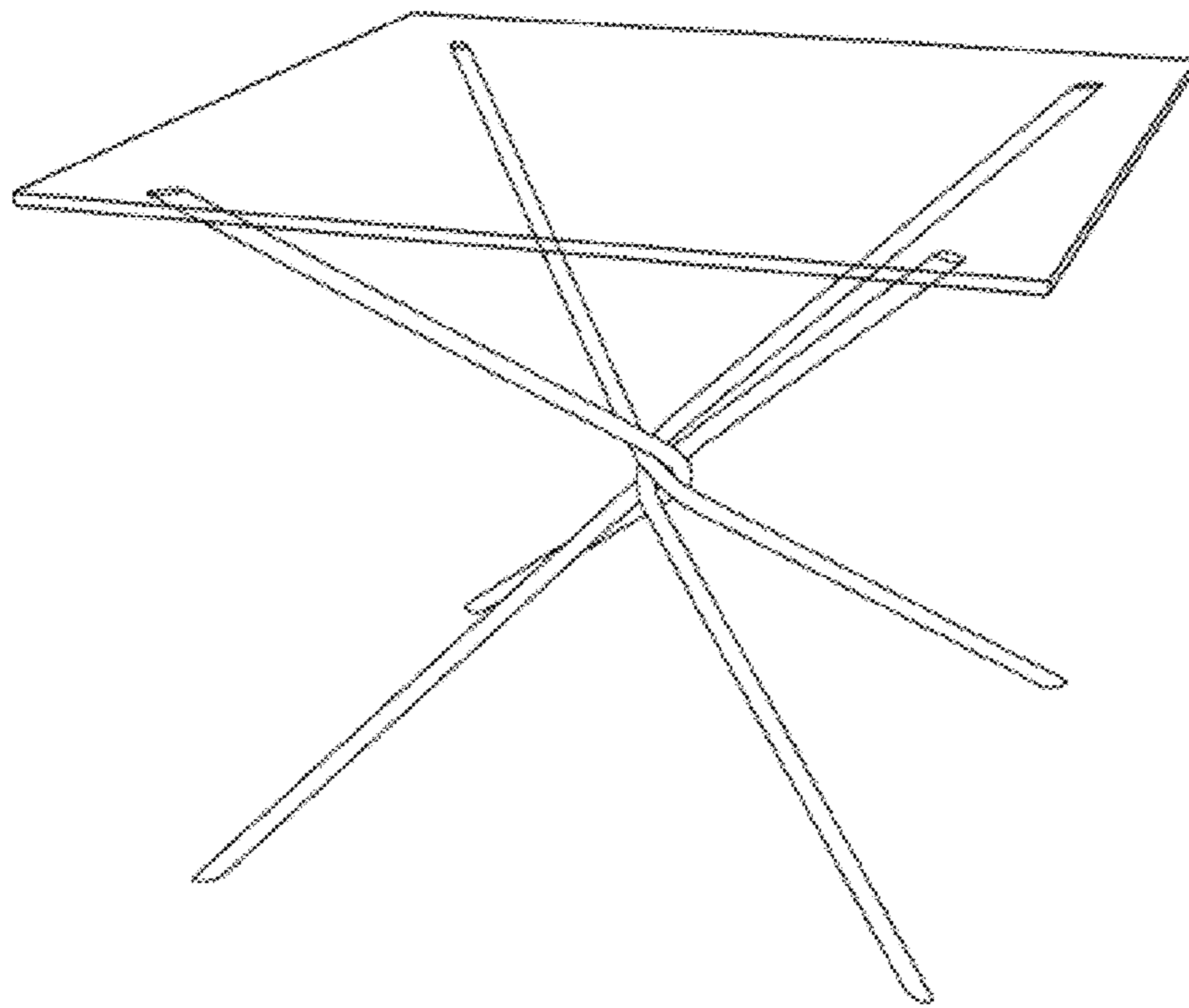


FIG. 3