



US00D775484S

(12) **United States Design Patent** (10) **Patent No.:** **US D775,484 S**
Moore (45) **Date of Patent:** **** Jan. 3, 2017**

(54) **PILLOW**
(71) Applicants: **Philip Moore**, East Sussex (GB);
James Moore, Shropshire (GB)
(72) Inventor: **Philip Moore**, East Sussex (GB)
(73) Assignee: **James Moore**, Shropshire (GB), part
interest
(**) Term: **15 Years**
(21) Appl. No.: **29/530,036**
(22) Filed: **Jun. 12, 2015**
(30) **Foreign Application Priority Data**
Dec. 15, 2014 (GB) 4038619
(51) **LOC (10) Cl.** **06-09**
(52) **U.S. Cl.**
USPC **D6/601**
(58) **Field of Classification Search**
USPC D6/333, 349, 355, 375, 388, 512, 563,
D6/564, 595, 596, 601, 604, 611, 707,
D6/715, 716, 716.1; D24/183-185, 234;
D21/803, 804, 805, 809; 5/401, 420,
5/600, 630, 631, 632, 633, 635, 636, 638,
5/639, 646, 652, 652.1, 655, 703, 730;
297/1, 2, 4, 93, 180.11, 195.1, 195.11,
297/195.13, 393, 397, 452.12, 452.14,
297/452.15, 452.21, 452.24, 452.26,
297/452.48, 452.62, 482
CPC A47G 9/10; A47G 9/1009; A47G 9/1018;
A47G 9/1027; A47G 9/1036; A47G
9/1045; A47G 9/1063; A47G
9/1072; A47G 9/1081; A47G
9/109; A47C 7/021; A47C 27/00
See application file for complete search history.

(56) **References Cited**
U.S. PATENT DOCUMENTS
D91,262 S * 1/1934 Barcalo D6/601
D123,573 S * 11/1940 Rideout D6/716.1

D222,005 S * 9/1971 Kelly D6/716.2
4,397,052 A * 8/1983 Lund, III A47C 20/025
5/631
D276,938 S * 12/1984 Pedersen 5/636
D283,855 S * 5/1986 Kujawski D6/333
D308,613 S * 6/1990 Clark D6/601
D316,354 S * 4/1991 Bool D6/601
D334,318 S * 3/1993 Chee D6/601
D371,035 S * 6/1996 Davis D6/596
5,647,076 A * 7/1997 Gearhart A47C 20/025
5/631
D420,844 S * 2/2000 Keilhauer D6/601
D500,622 S * 1/2005 Owen D6/596
6,952,848 B1 * 10/2005 Strunk-Fellows A47G 9/10
5/636
D578,805 S * 10/2008 Diekman D6/601
D600,027 S * 9/2009 Martin D6/333
D610,853 S * 3/2010 Straub D6/601
D622,515 S * 8/2010 Nadeau D6/333
D642,278 S * 7/2011 Sharps D24/184
D659,252 S * 5/2012 Batiste D24/190
D670,090 S * 11/2012 Miucci D6/349
D672,567 S * 12/2012 Sclare D6/333
D674,614 S * 1/2013 Morand D6/333
D693,141 S * 11/2013 Wootten, Jr. D6/601

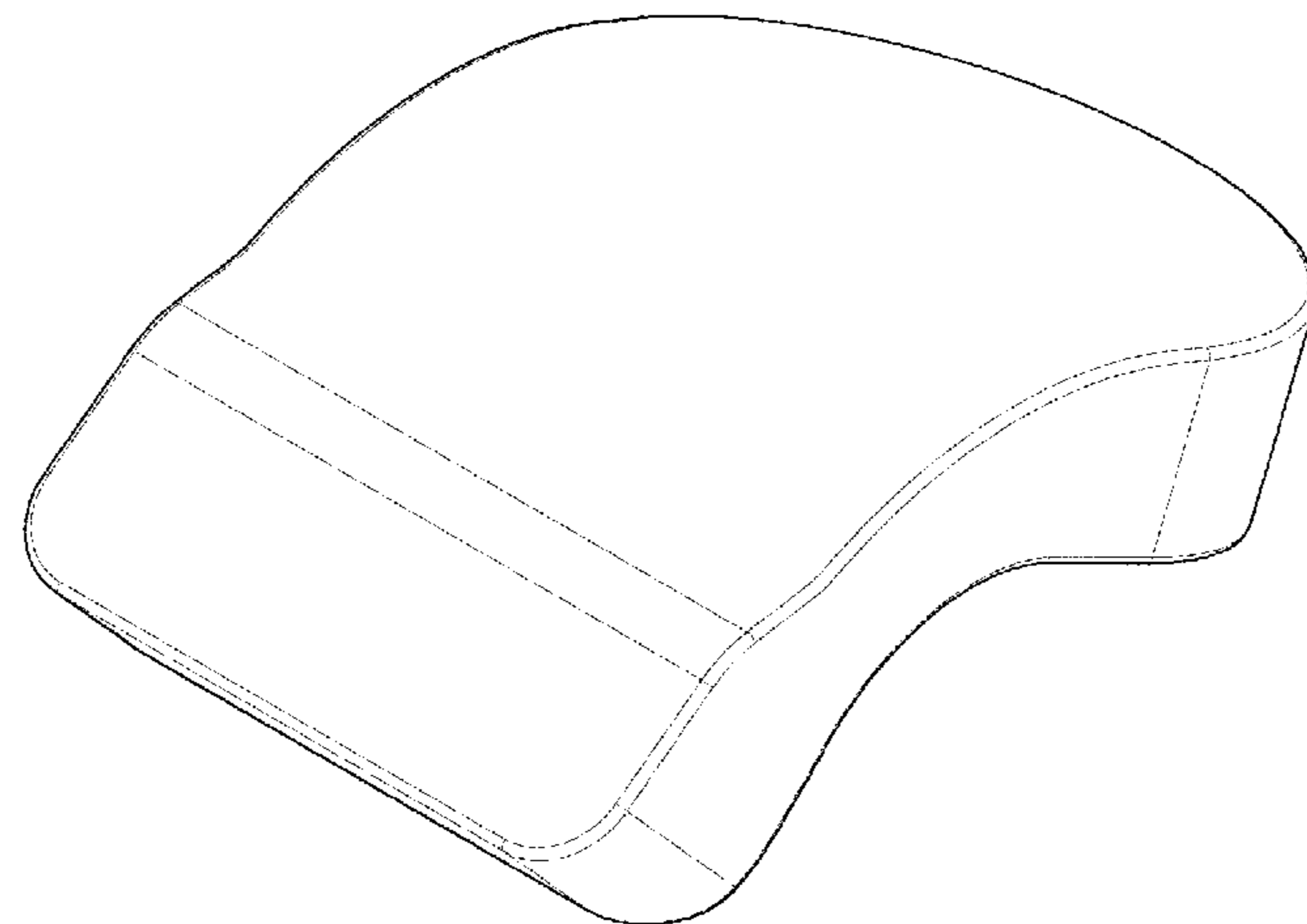
(Continued)

Primary Examiner — Rosemary K Tarcza
Assistant Examiner — Sanjeev Paul
(74) *Attorney, Agent, or Firm* — Hamilton, Brook, Smith
& Reynolds, P.C.

(57) **CLAIM**
The ornamental design for a pillow, as shown and described.

DESCRIPTION
FIG. 1 is a top perspective view of the pillow of the present invention.
FIG. 2 is a bottom perspective view thereof.
FIG. 3 is a top plan view thereof.
FIG. 4 is a bottom plan view thereof.
FIG. 5 is a side view thereof.
FIG. 6 is an opposite side view thereof.
FIG. 7 is an end view thereof; and,
FIG. 8 is an opposite end view thereof.

1 Claim, 3 Drawing Sheets



(56)

References Cited

U.S. PATENT DOCUMENTS

D695,030	S *	12/2013	Buitendag	D6/333
D700,786	S *	3/2014	Yeung	D6/333
D711,158	S *	8/2014	Ko	D6/601
D711,675	S *	8/2014	Sato	D6/349
D715,579	S *	10/2014	Scarlett	D6/601
D722,449	S *	2/2015	Krishtul	D6/601
D724,852	S *	3/2015	Giampavolo	D6/333
D726,450	S *	4/2015	Wootten, Jr.	D6/601
D727,645	S *	4/2015	Zink	D6/333
8,997,285	B2 *	4/2015	Moore	A47G 9/1009 5/632
D732,313	S *	6/2015	Fux	D6/601
D754,990	S *	5/2016	Velasquez	D6/601
D755,543	S *	5/2016	Upadhyay	D6/601
D756,687	S *	5/2016	Durkin	D6/601
D758,100	S *	6/2016	Pham	D6/601
2004/0107501	A1 *	6/2004	Kancilja	A47G 9/10 5/636
2008/0115284	A1 *	5/2008	Hiatt	A61G 7/065 5/632
2008/0163428	A1 *	7/2008	Groteke	A61F 5/56 5/638
2015/0040321	A1 *	2/2015	Moore	A47G 9/1009 5/636
2016/0166083	A1 *	6/2016	Carbone	A47D 13/04 5/655

* cited by examiner

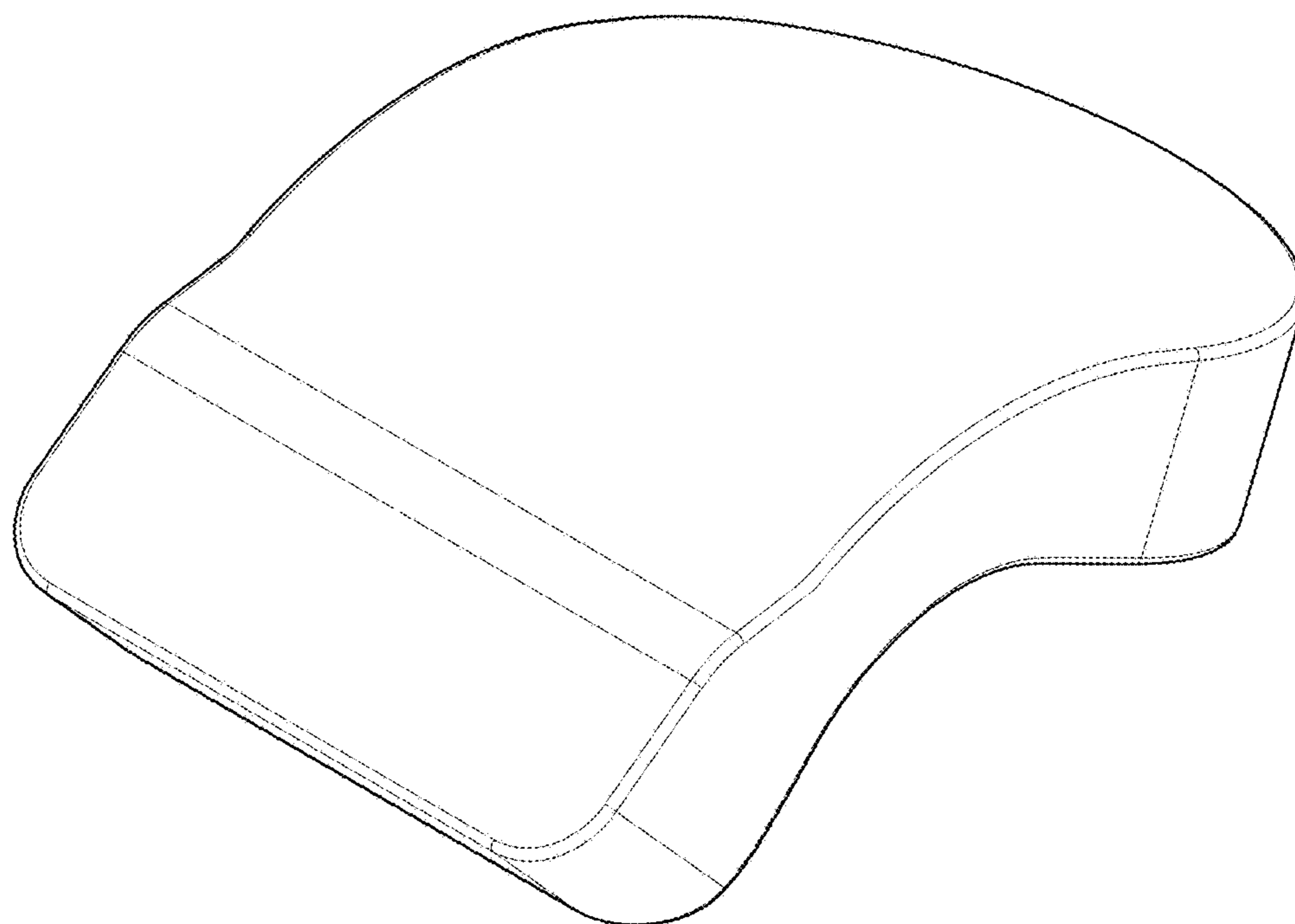


FIG. 1

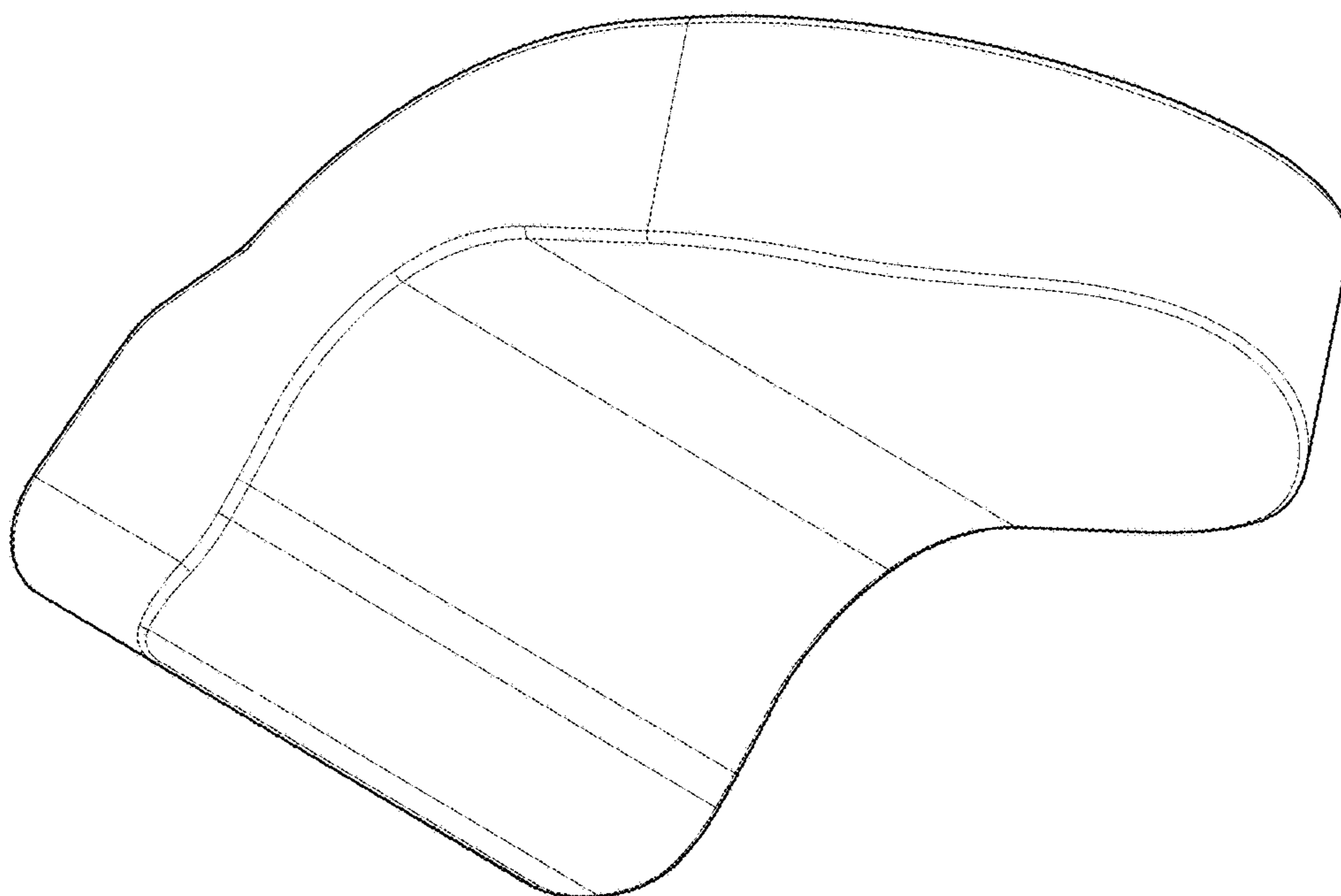


FIG. 2

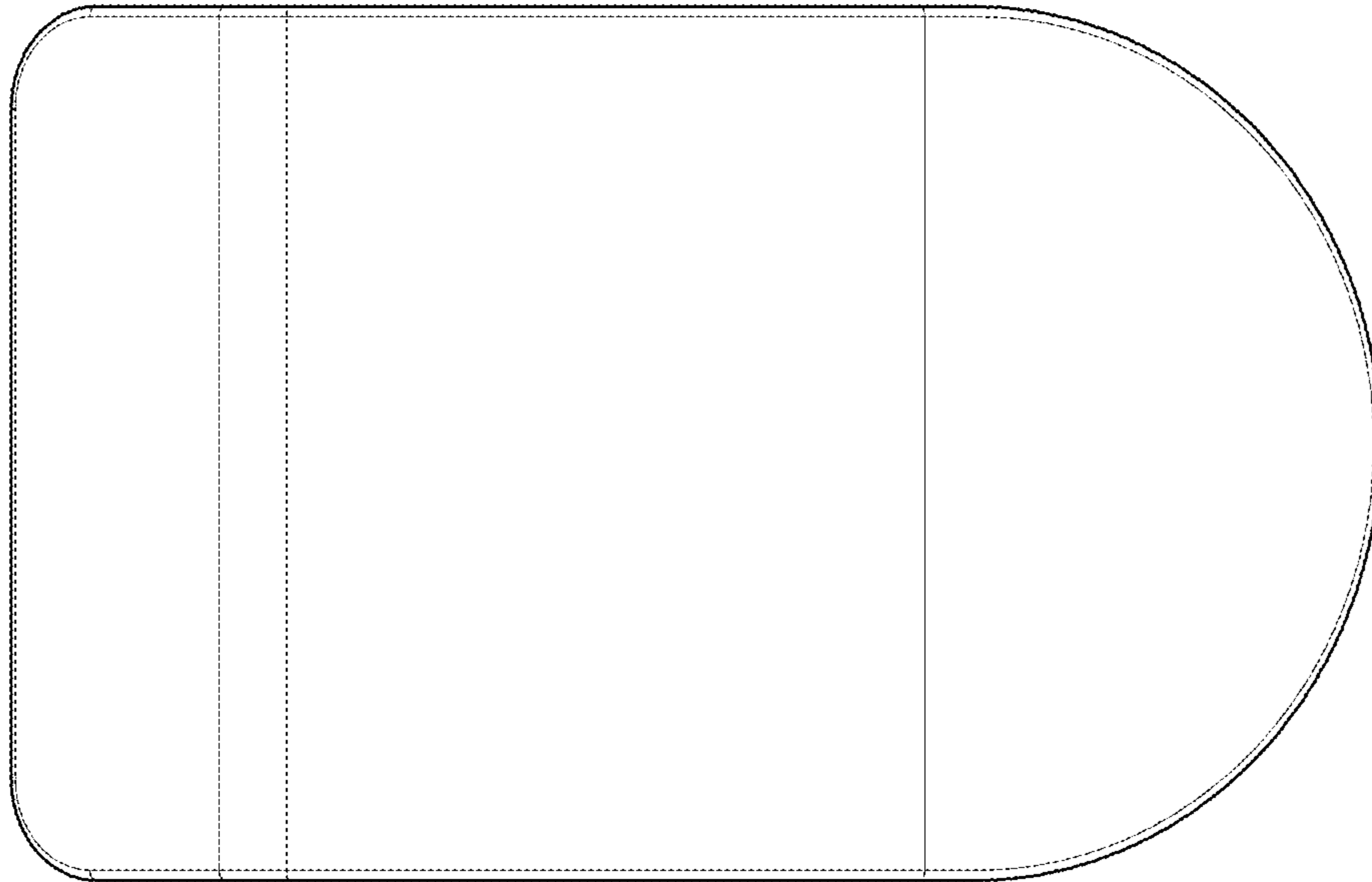


FIG. 3

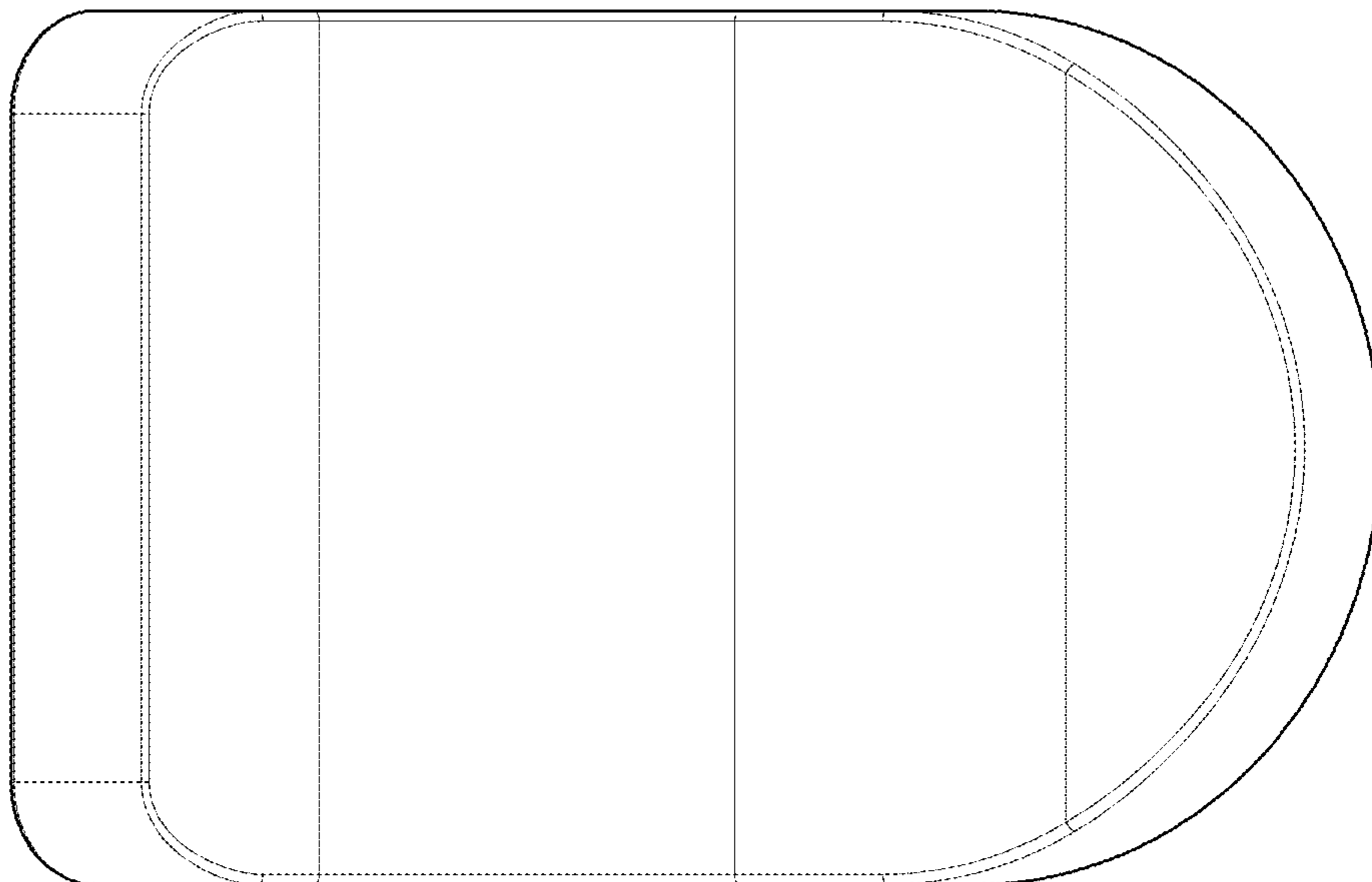


FIG. 4

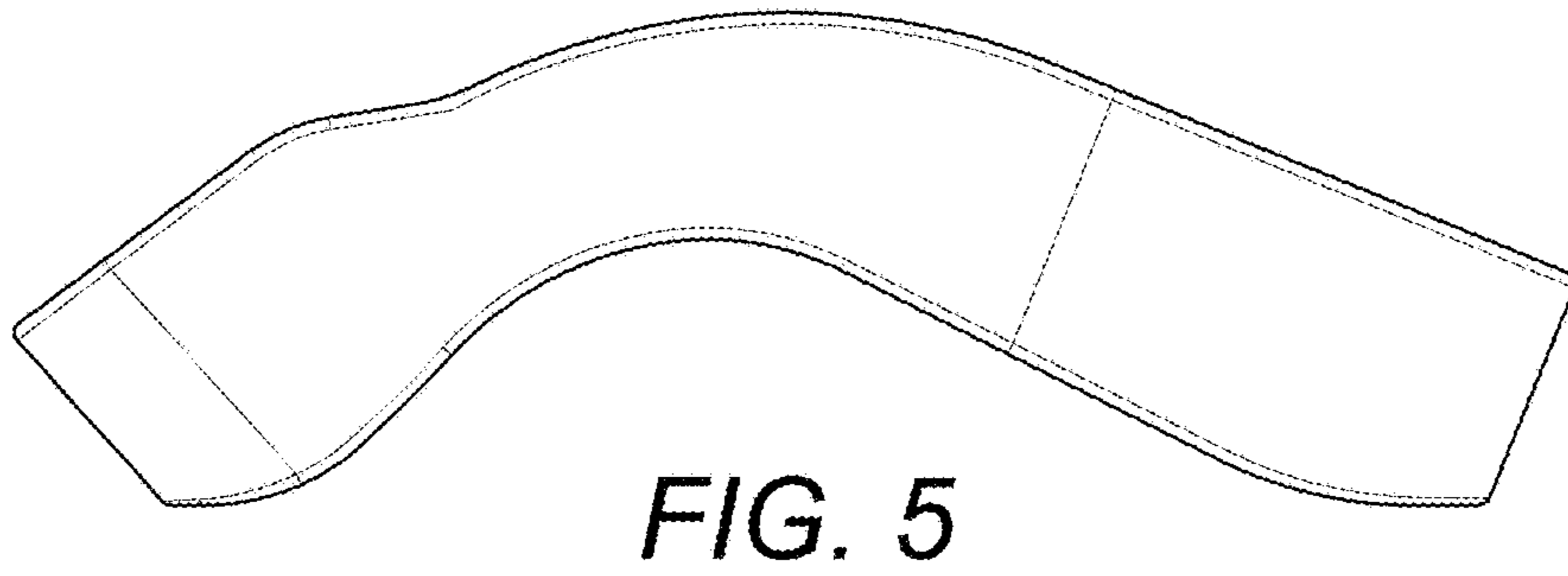


FIG. 5

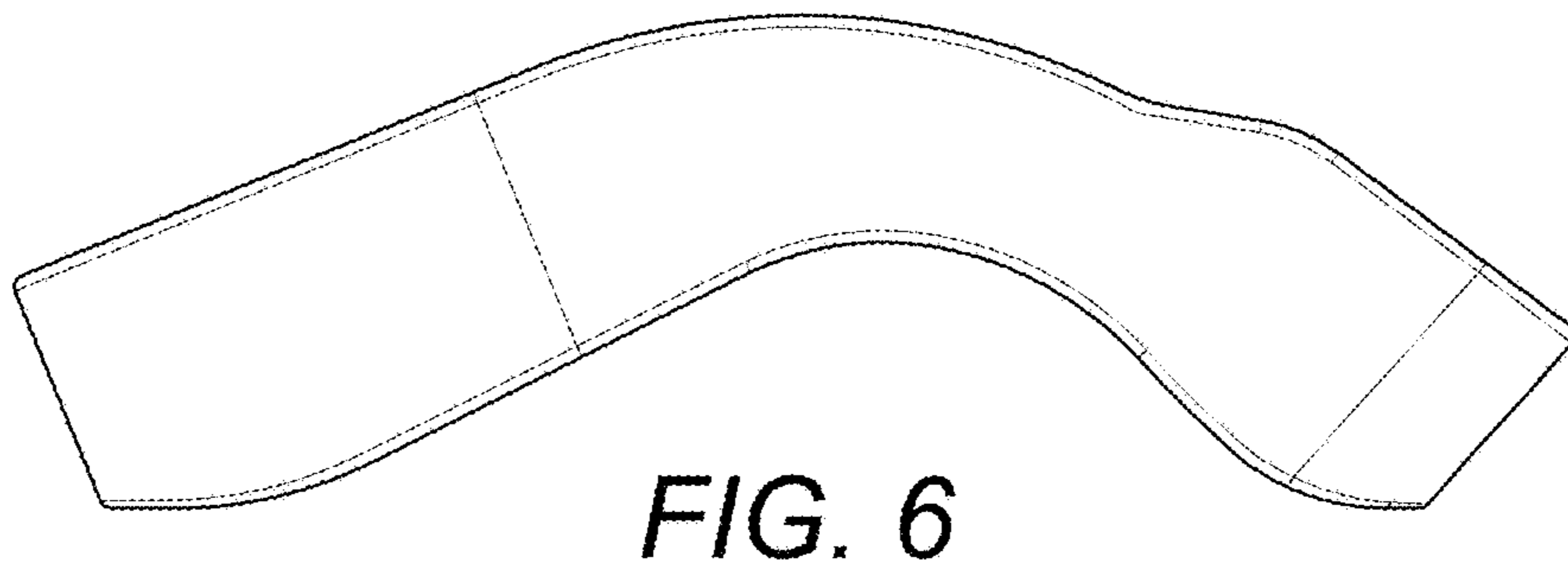


FIG. 6

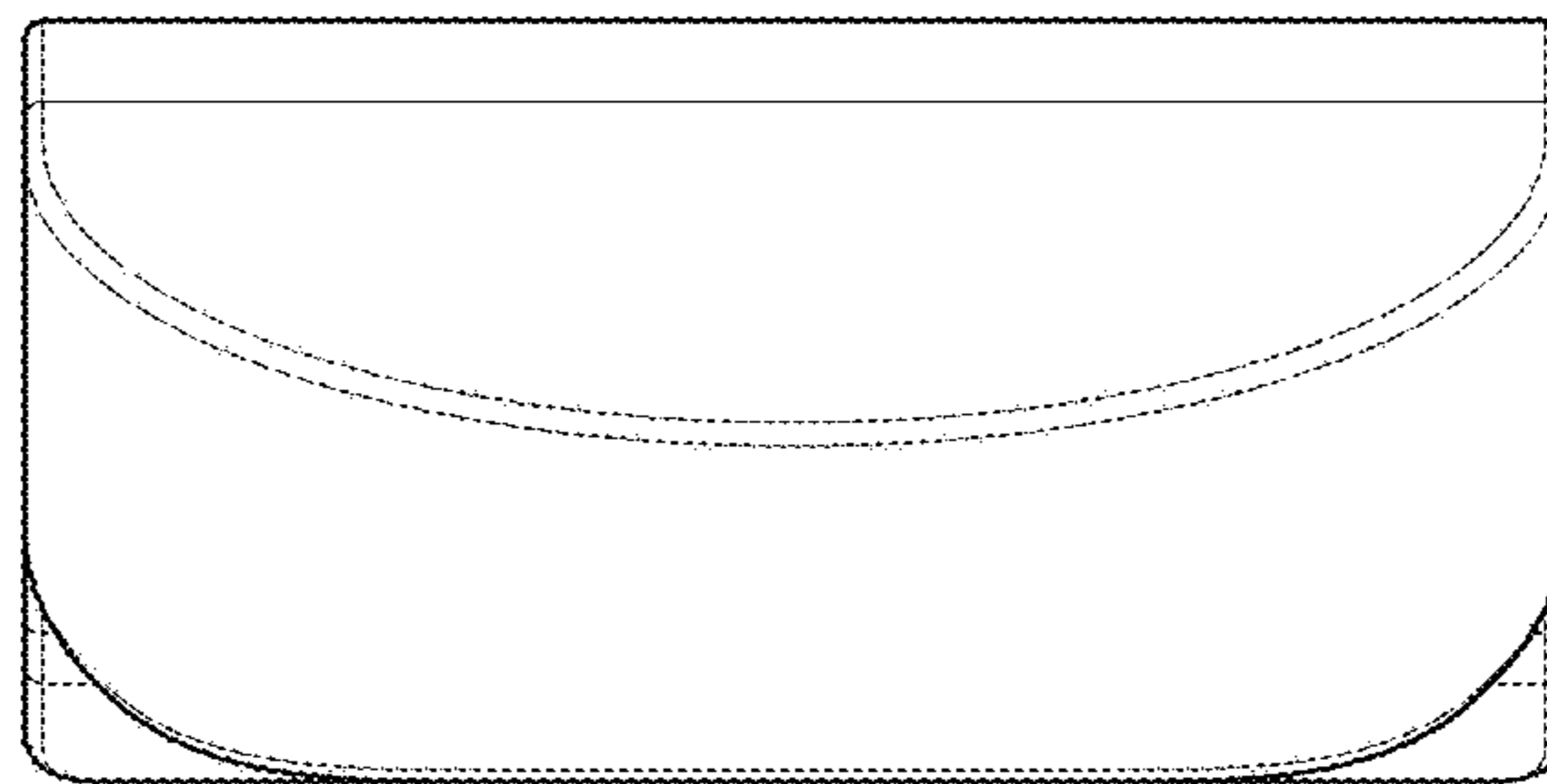


FIG. 7

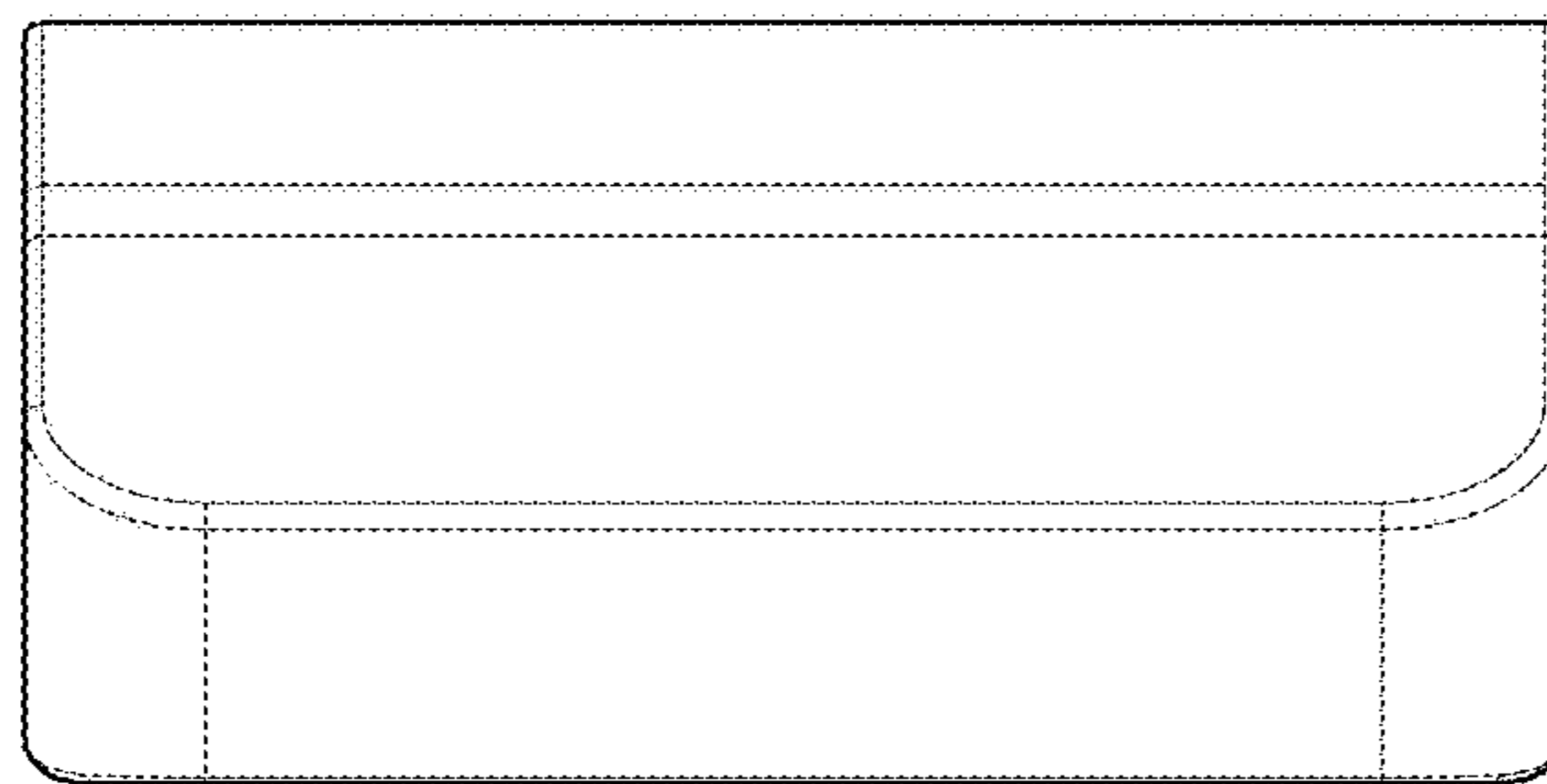


FIG. 8