



US00D775483S

(12) **United States Design Patent**
Schweikarth

(10) **Patent No.:** **US D775,483 S**

(45) **Date of Patent:** **** Jan. 3, 2017**

(54) **CUP HOLDER**

(71) Applicant: **KIMBALL INTERNATIONAL, INC.**,
Jasper, IN (US)

(72) Inventor: **Derek Schweikarth**, Celestine, IN (US)

(73) Assignee: **Kimball International, Inc.**, Jasper, IN
(US)

(**) Term: **15 Years**

(21) Appl. No.: **29/527,849**

(22) Filed: **May 22, 2015**

(51) **LOC (10) Cl.** **07-06**

(52) **U.S. Cl.**
USPC **D6/553**

(58) **Field of Classification Search**
USPC D6/553; D7/619.1-620, 622-625,
D7/701-703, 705, 706, 708; D12/419,
D12/420; 211/71.01, 74; 229/89, 91;
224/926, 275; 248/102, 230.5, 309.1,
248/311.2, 311.3, 312, 312.1, 313;
294/29, 33, 31.1; 297/188.01, 188.08,
297/188.12, 188.14, 188.15, 188.16,
297/188.18, 188.2, 188.21, 411.23
CPC A47C 7/68; A47C 7/62; A45F 5/02;
A45F 2200/0583

See application file for complete search history.

(56) **References Cited**

U.S. PATENT DOCUMENTS

D353,289 S * 12/1994 Ayotte D6/716.2
5,865,412 A * 2/1999 Mason A47C 7/62
248/214

D441,620 S * 5/2001 Goldsborough D7/701
D600,077 S * 9/2009 Barnes, Jr. D7/620
D673,816 S * 1/2013 Phillips D7/620
D686,923 S * 7/2013 Aldridge D9/732
2005/0051690 A1* 3/2005 Phillips A47C 7/68
248/311.2
2012/0086245 A1* 4/2012 Nelson A47C 7/70
297/188.18

* cited by examiner

Primary Examiner — Wan Laymon

Assistant Examiner — Mark Booker

(74) *Attorney, Agent, or Firm* — Faegre Baker Daniels
LLP

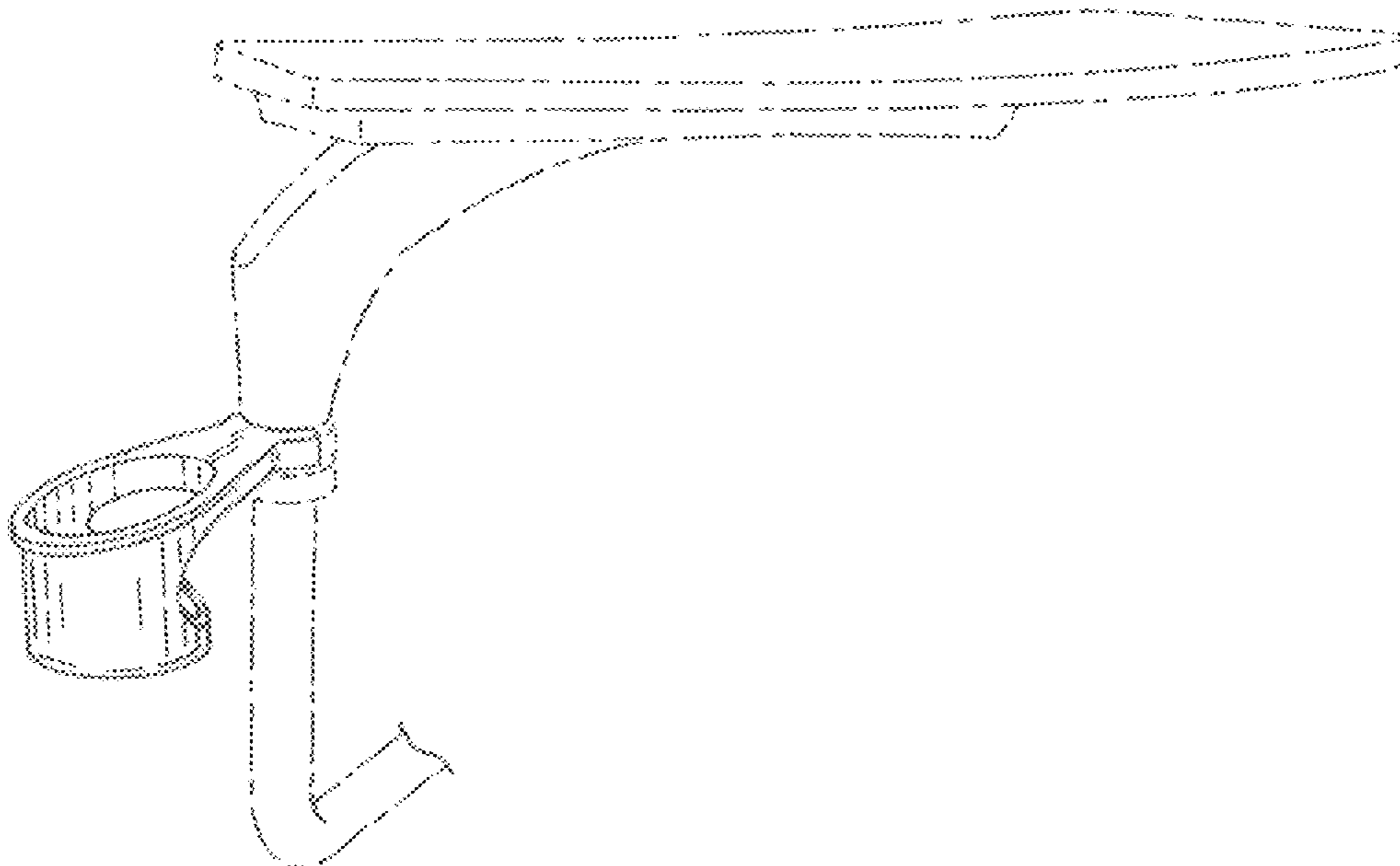
(57) **CLAIM**

The ornamental design for a cup holder, as shown and described.

DESCRIPTION

FIG. 1 is a first front perspective view of a cup holder according to my new design;
FIG. 2 is a second front perspective view thereof;
FIG. 3 is a right side view thereof;
FIG. 4 is a left side view thereof;
FIG. 5 is a front view thereof;
FIG. 6 is a rear view thereof;
FIG. 7 is a top view thereof; and,
FIG. 8 is a bottom view thereof.
The broken lines shown in the figures represent portions of the cup holder that form no part of the claimed design.

1 Claim, 3 Drawing Sheets



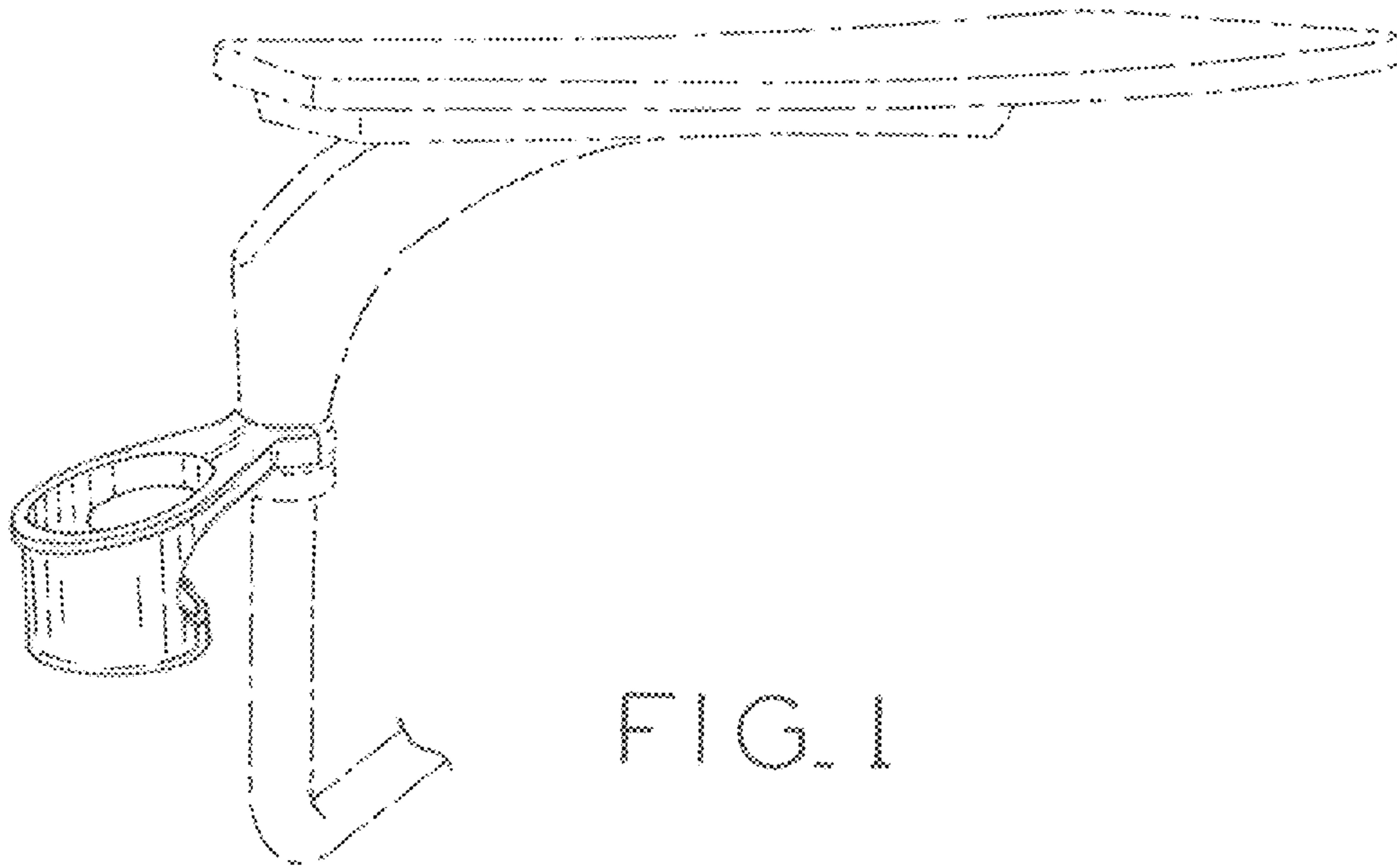


FIG. 1

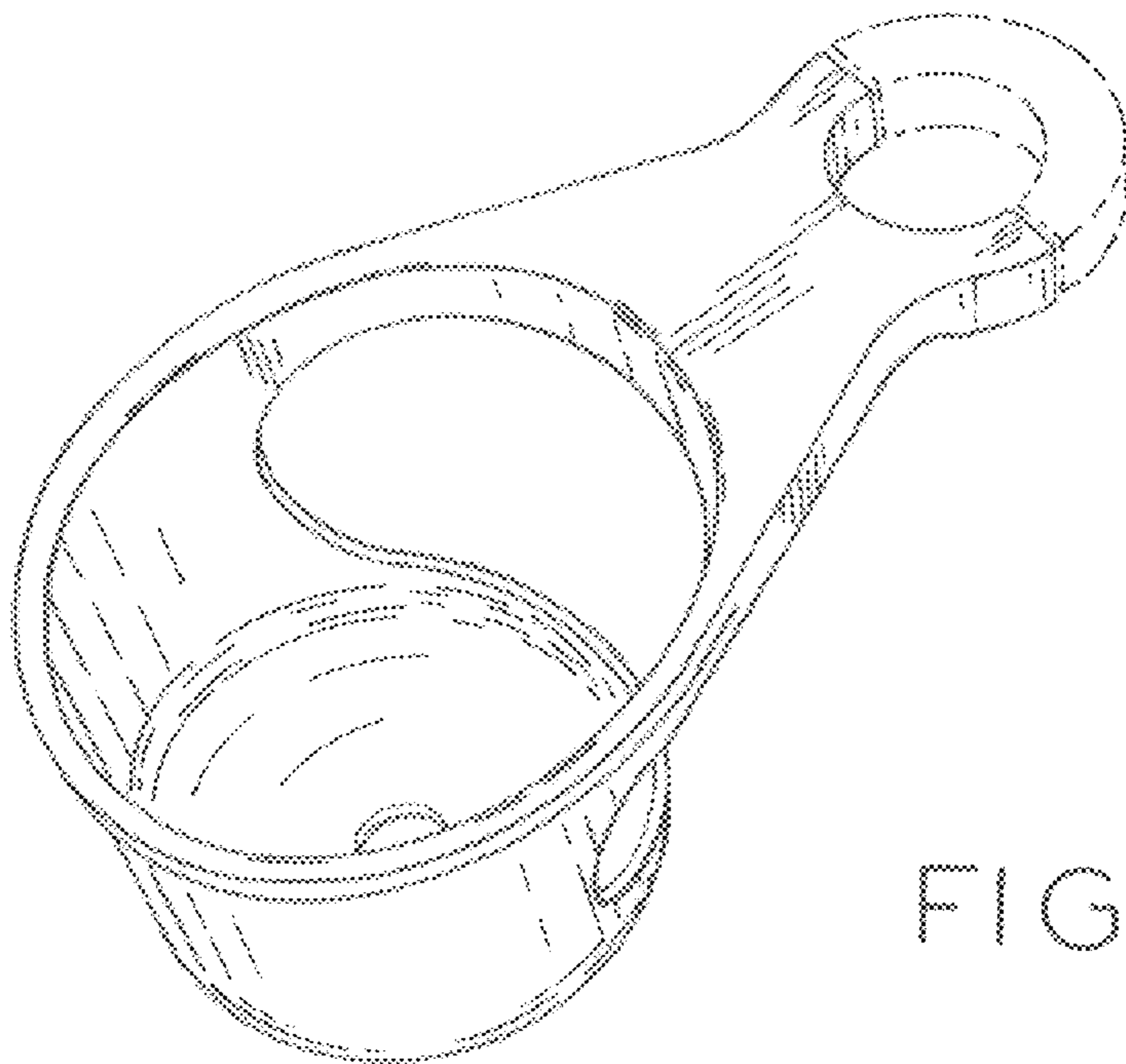


FIG. 2

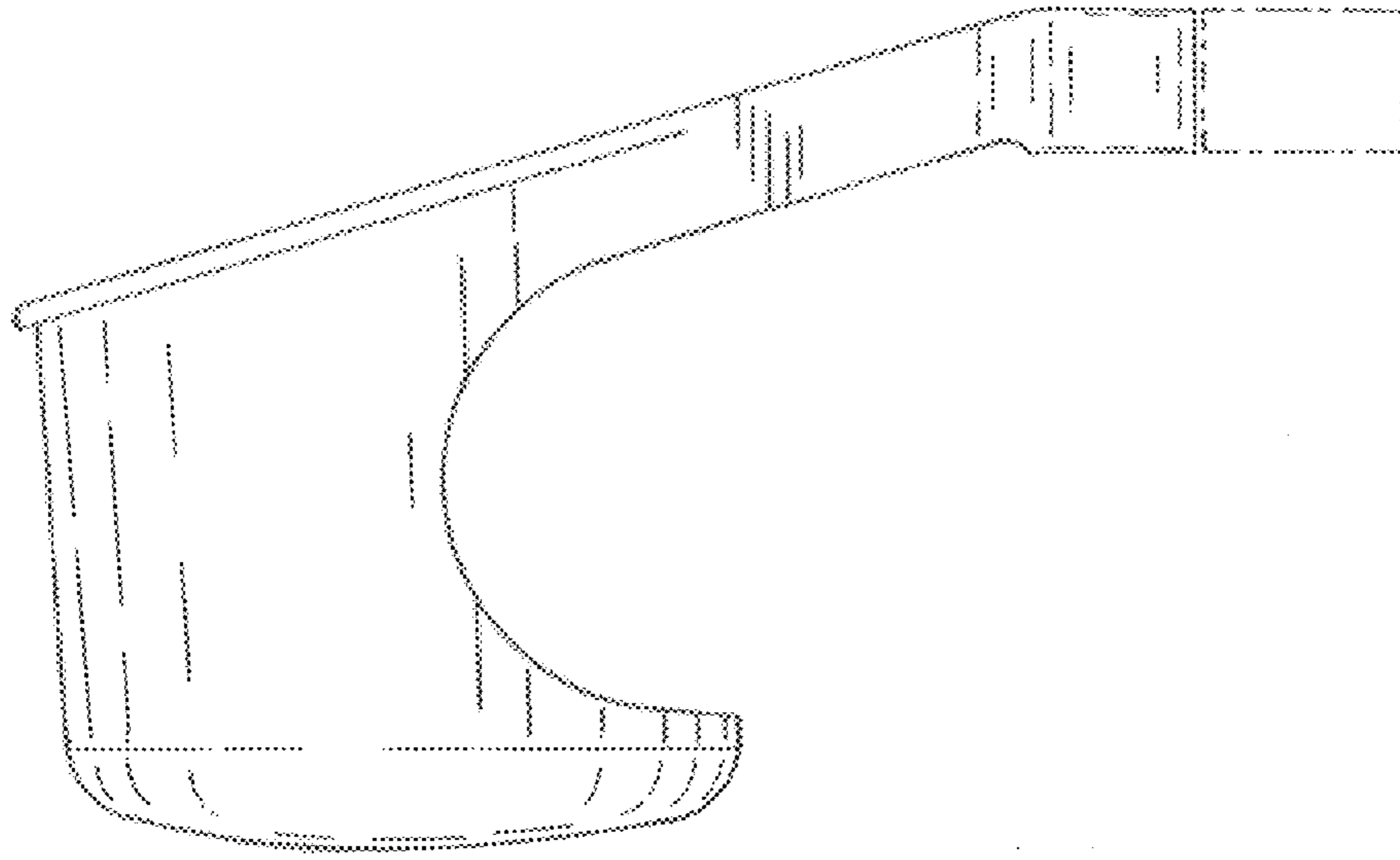


FIG. 3

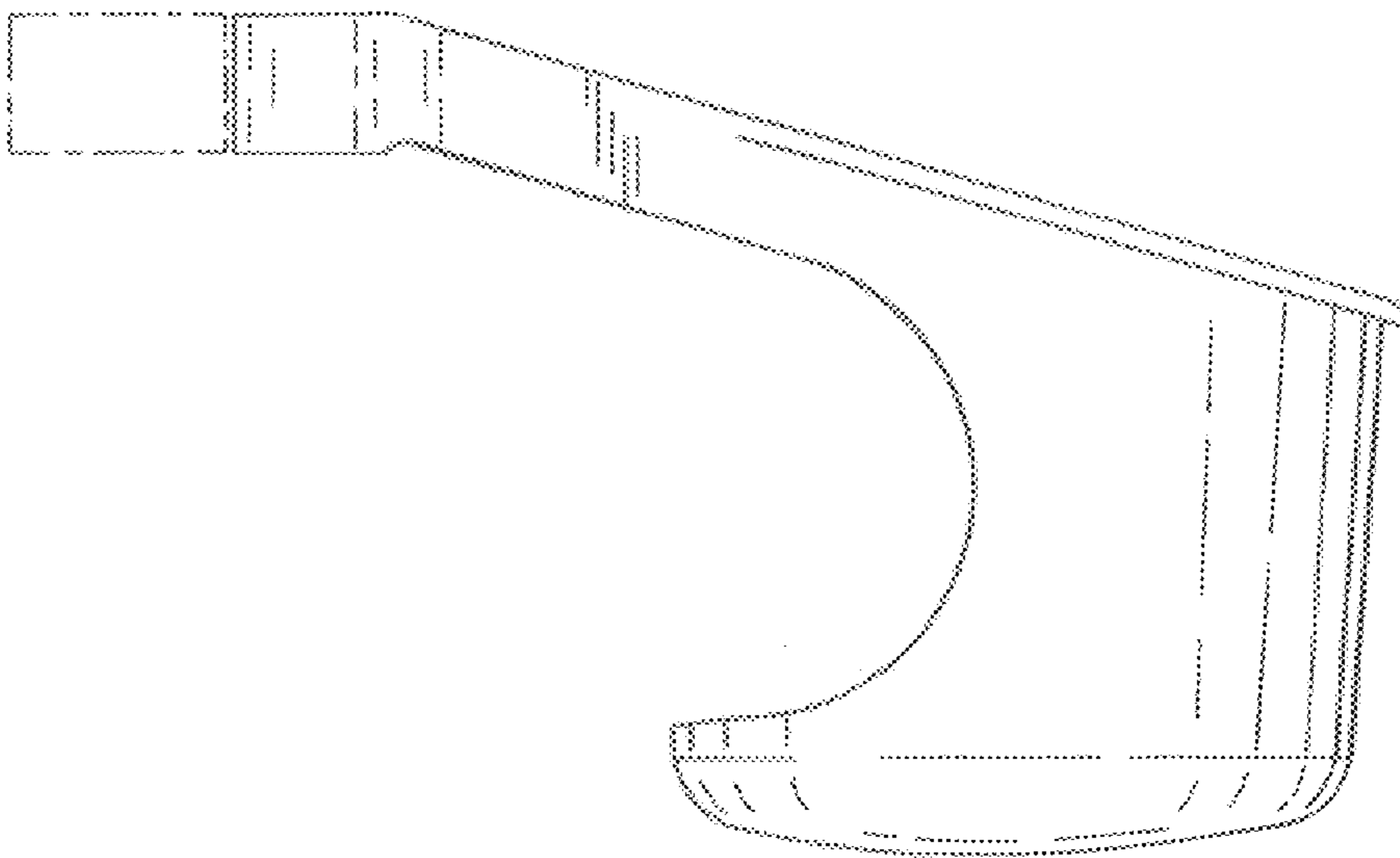


FIG. 4

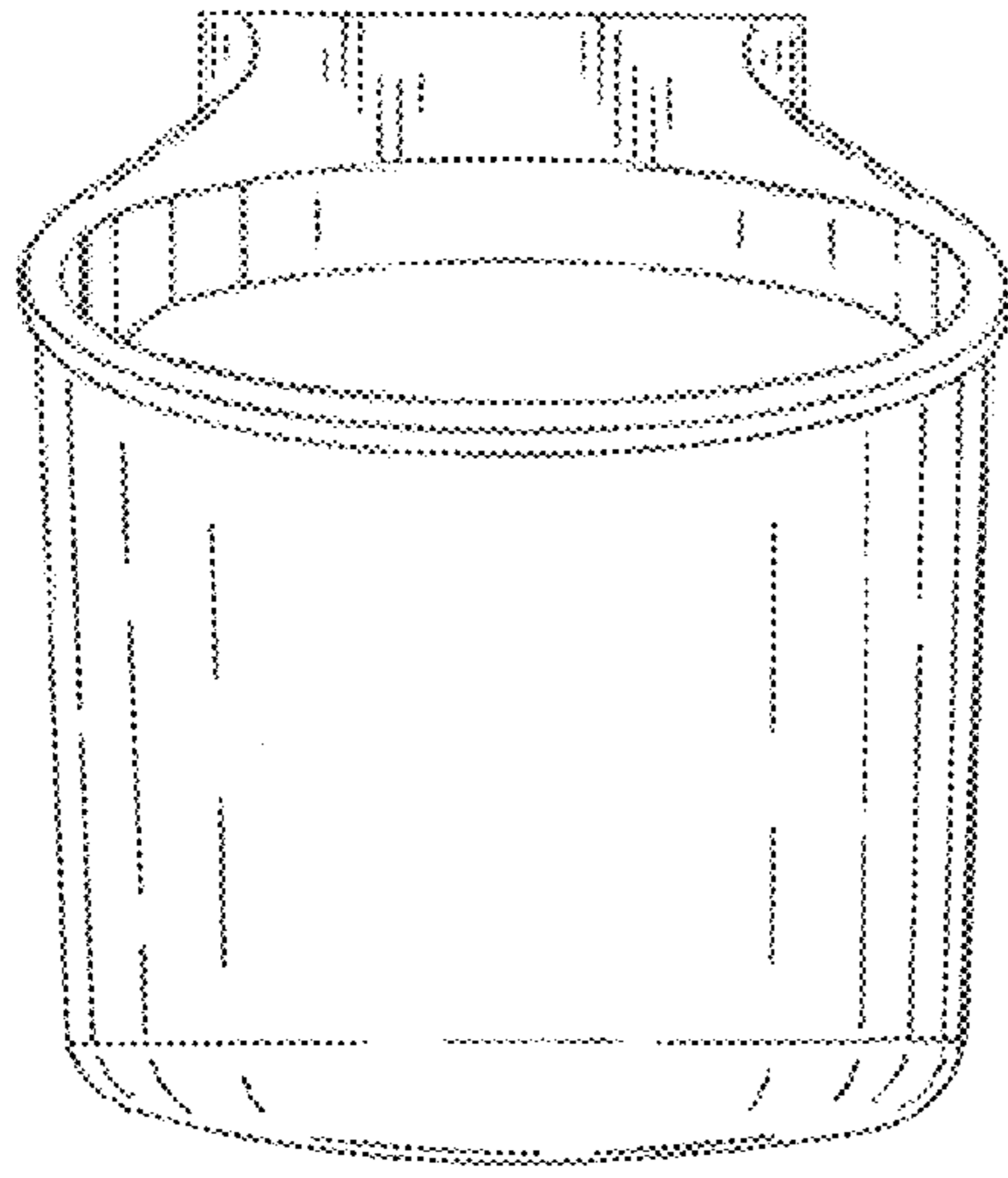


FIG. 5

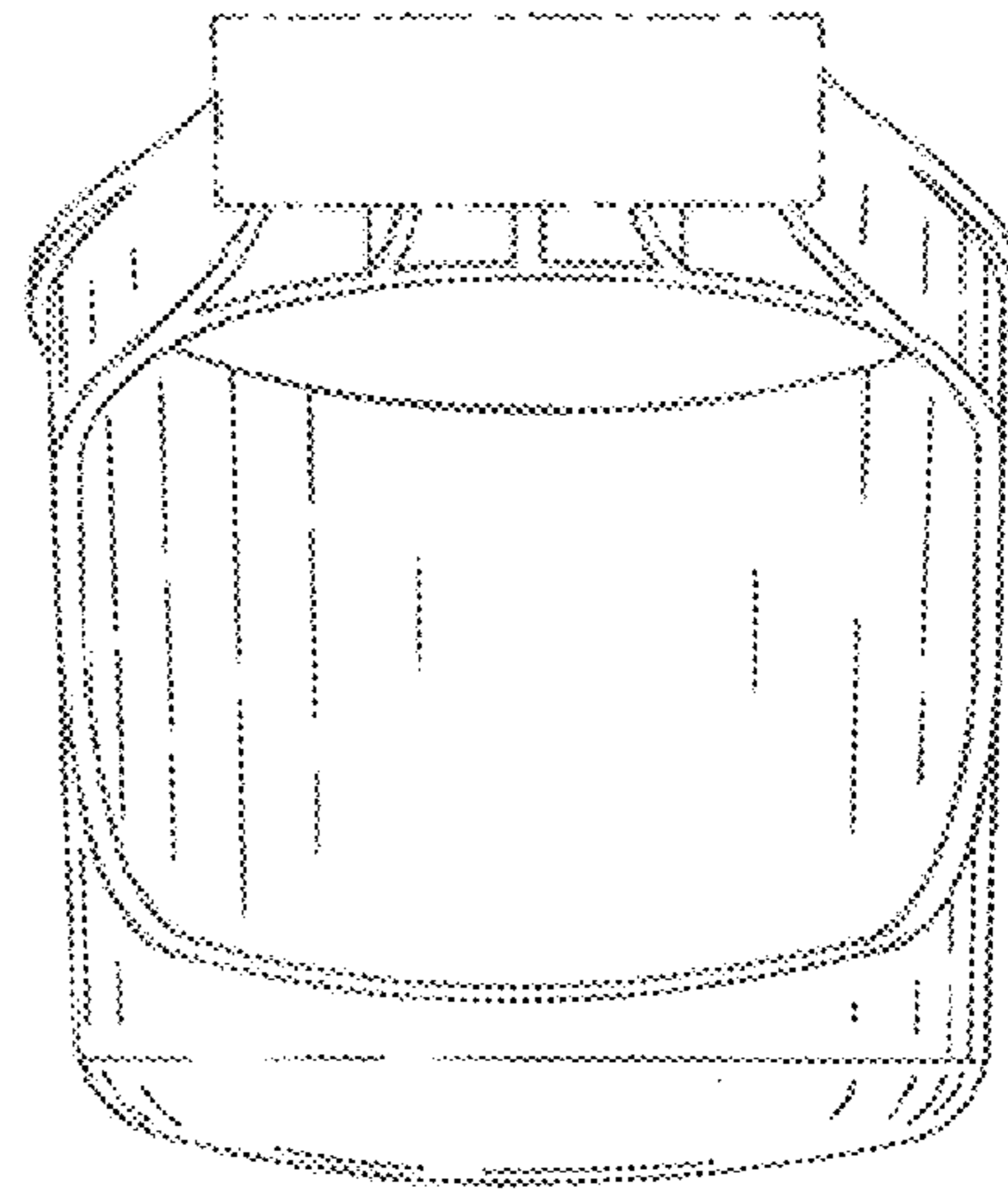


FIG. 6

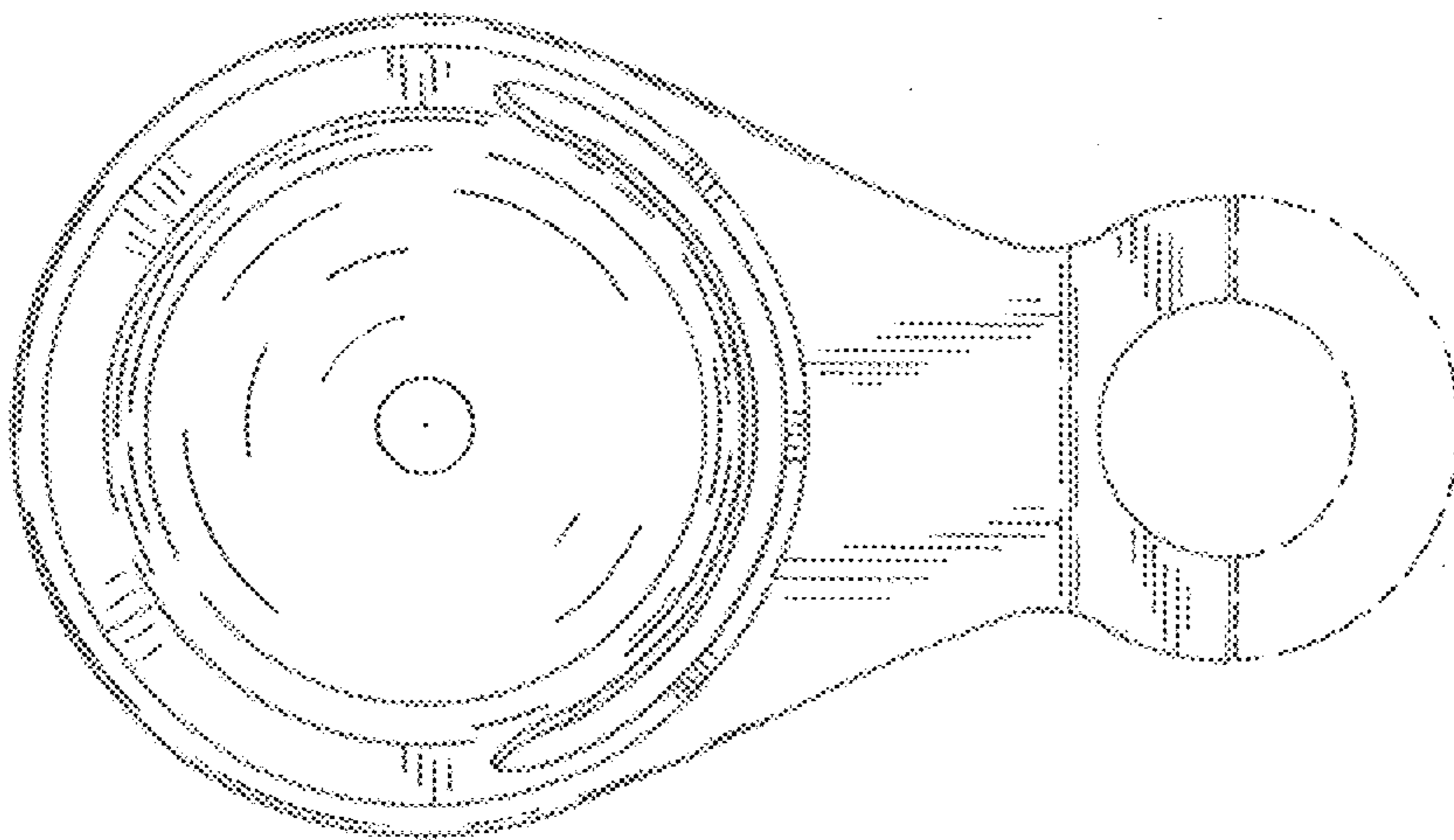


FIG. 7

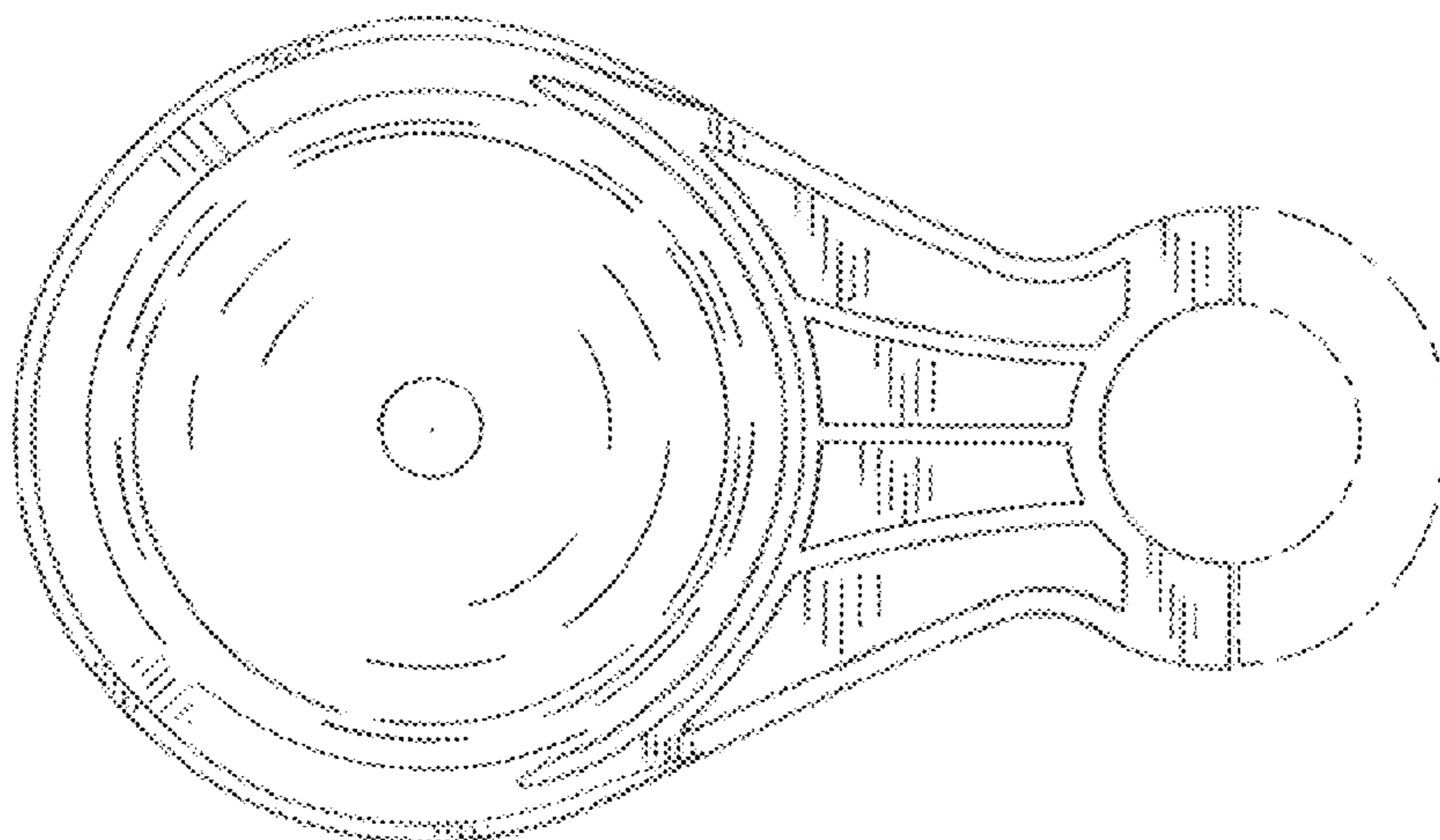


FIG. 8

UNITED STATES PATENT AND TRADEMARK OFFICE
CERTIFICATE OF CORRECTION

PATENT NO. : D775,483 S
APPLICATION NO. : 29/527849
DATED : January 3, 2017
INVENTOR(S) : Schweikarth

Page 1 of 1

It is certified that error appears in the above-identified patent and that said Letters Patent is hereby corrected as shown below:

On the Title Page

Item (57), (Claim) delete “deign” and insert --design--

Signed and Sealed this
Fourth Day of April, 2017



Michelle K. Lee
Director of the United States Patent and Trademark Office