



US00D775482S

(12) **United States Design Patent**
Abbott

(10) **Patent No.:** **US D775,482 S**

(45) **Date of Patent:** **** Jan. 3, 2017**

(54) **DOG WASTE BAG DISPENSER**

(71) Applicant: **Brian F. Abbott**, Fort Worth, TX (US)

(72) Inventor: **Brian F. Abbott**, Fort Worth, TX (US)

(**) Term: **15 Years**

(21) Appl. No.: **29/527,172**

(22) Filed: **May 15, 2015**

(51) **LOC (10) Cl.** **30-99**

(52) **U.S. Cl.**
USPC **D6/518**

(58) **Field of Classification Search**

USPC D6/518; D3/226, 235; D9/730-734, 414,
D9/420, 423, 426, 428, 451, 454;
119/867-869; 206/389, 409, 415, 494,
206/497; 221/64; 224/158, 191;
294/1.3-1.5
CPC . A01K 23/00; E01H 1/1206; E01H 2001/126;
E01H 2001/1273; E01H 2001/128; E01H
2001/1286

See application file for complete search history.

(56) **References Cited**

U.S. PATENT DOCUMENTS

3,492,945 A * 2/1970 Filippi F42B 8/26
102/334
3,765,337 A * 10/1973 Padula F42C 14/02
102/487
D475,288 S * 6/2003 Hoffmann D9/426

D627,665 S * 11/2010 Strubin D9/423
D718,553 S * 12/2014 Gnanendran D6/518
2006/0278115 A1* 12/2006 Juy F42B 8/26
102/487

* cited by examiner

Primary Examiner — Wan Laymon

Assistant Examiner — Mark Booker

(74) *Attorney, Agent, or Firm* — Geoffrey E. Dobbin;
Dobbin IP Law P.C.

(57) **CLAIM**

The ornamental design for a dog waste bag dispenser, as shown and described.

DESCRIPTION

FIG. 1 is a perspective view of the dog waste bag dispenser. FIG. 2 is a front elevation of the dog waste bag dispenser. FIG. 3 is a right elevation of the dog waste bag dispenser. FIG. 4 is a rear elevation of the dog waste bag dispenser. FIG. 5 is a left elevation of the dog waste bag dispenser. FIG. 6 is a top plan view of the dog waste bag dispenser. FIG. 7 is a bottom plan view of the dog waste bag dispenser. FIG. 8 is an alternate perspective view of the dog waste bag dispenser. FIG. 9 is an alternate perspective view of the dog waste bag dispenser; and, FIG. 10 is an alternate perspective view of the dog waste bag dispenser.

The broken lines in FIGS. 1-3 and 5-9 depict branding and are illustrative of environment and are not intended to form a part of the claimed design.

1 Claim, 9 Drawing Sheets

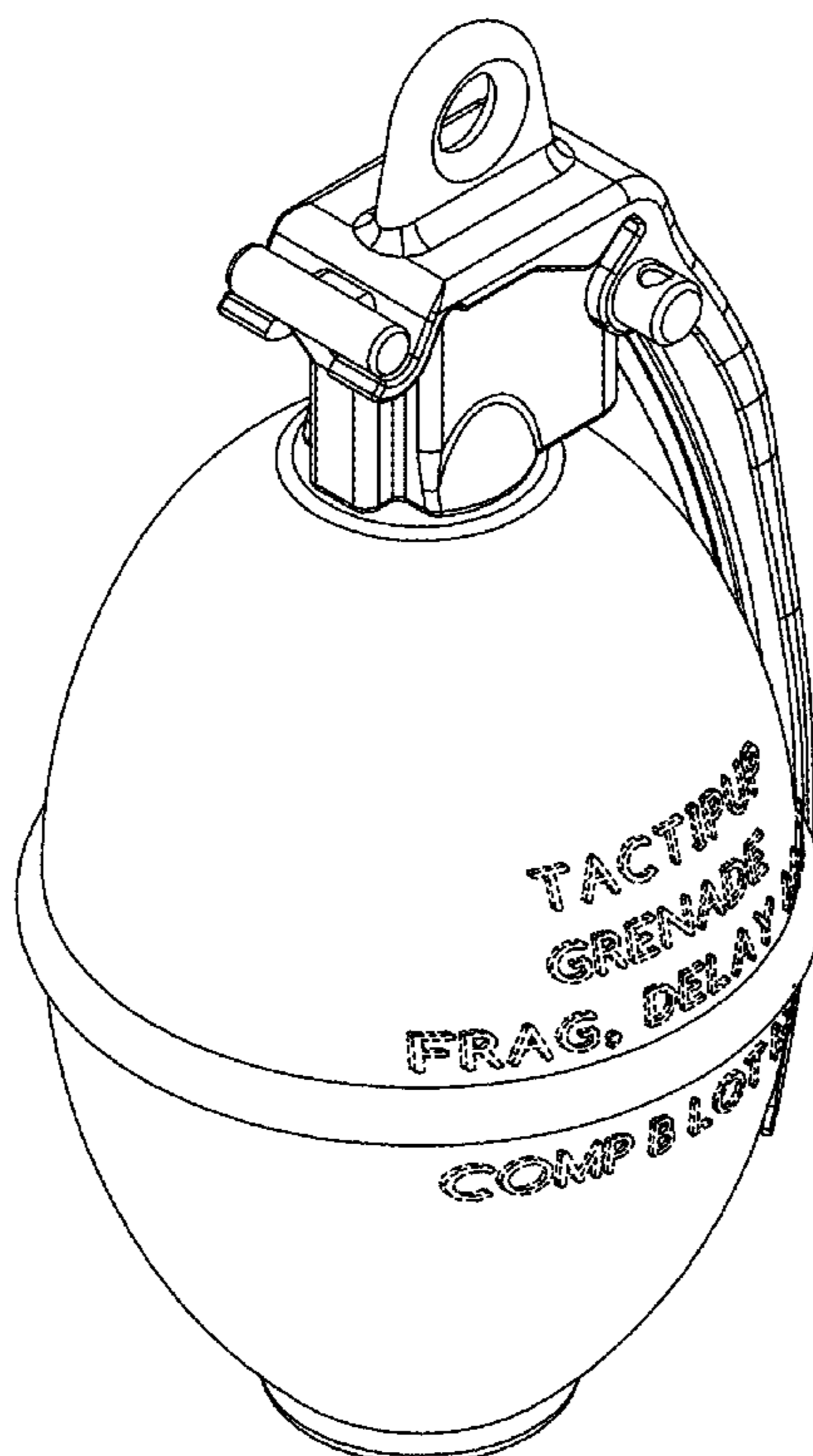


FIG. 1

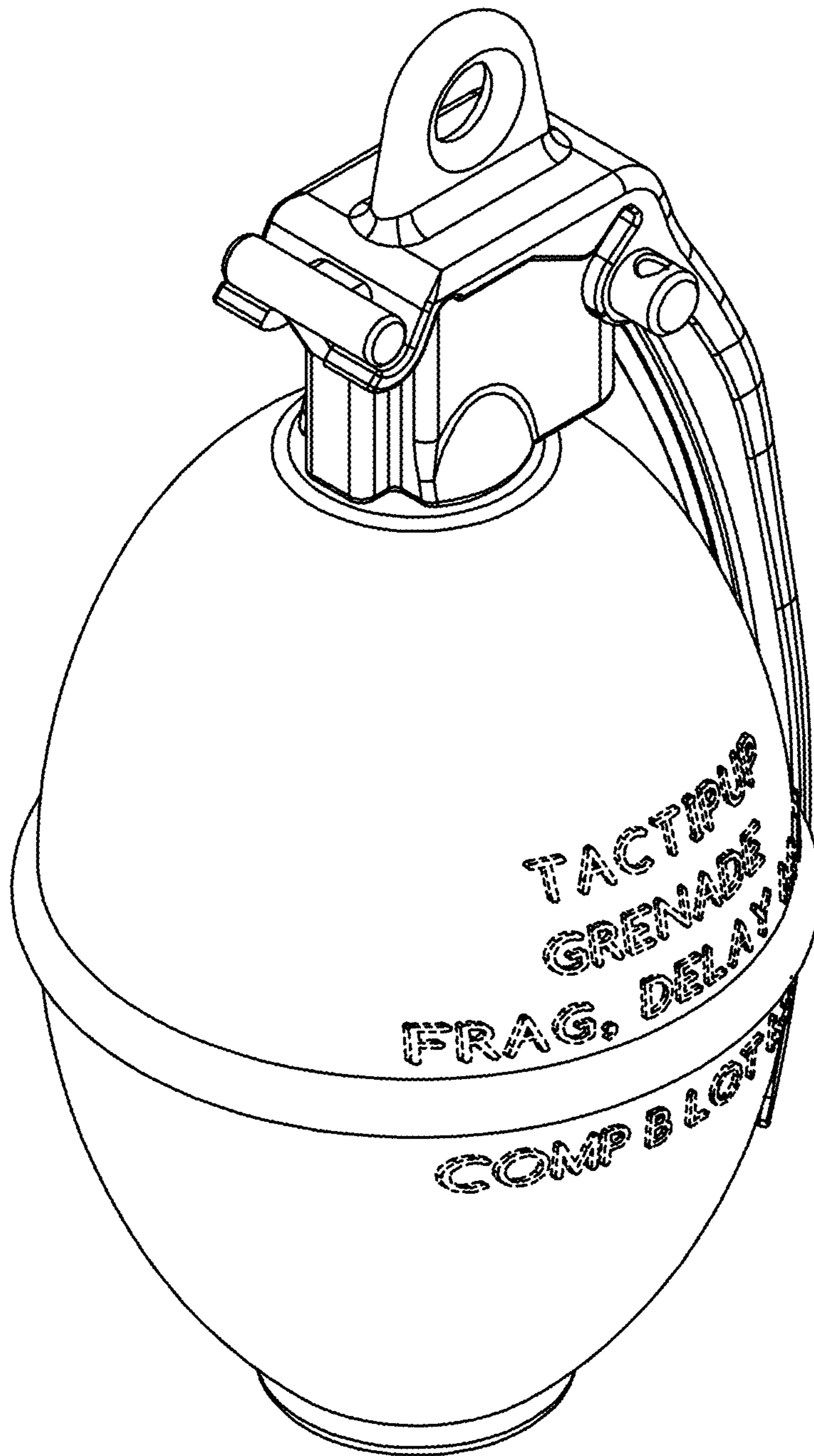


FIG. 2

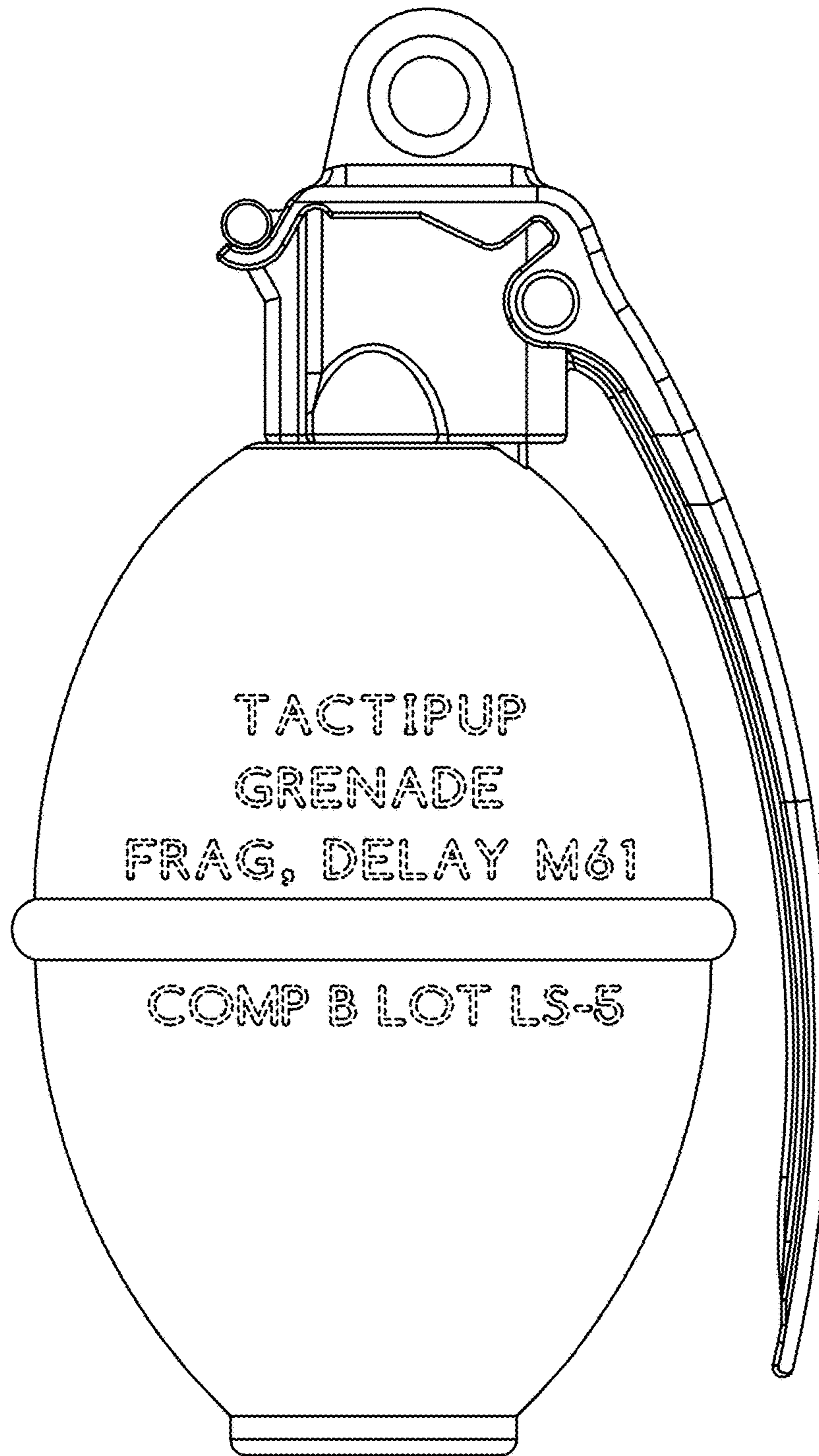


FIG. 3

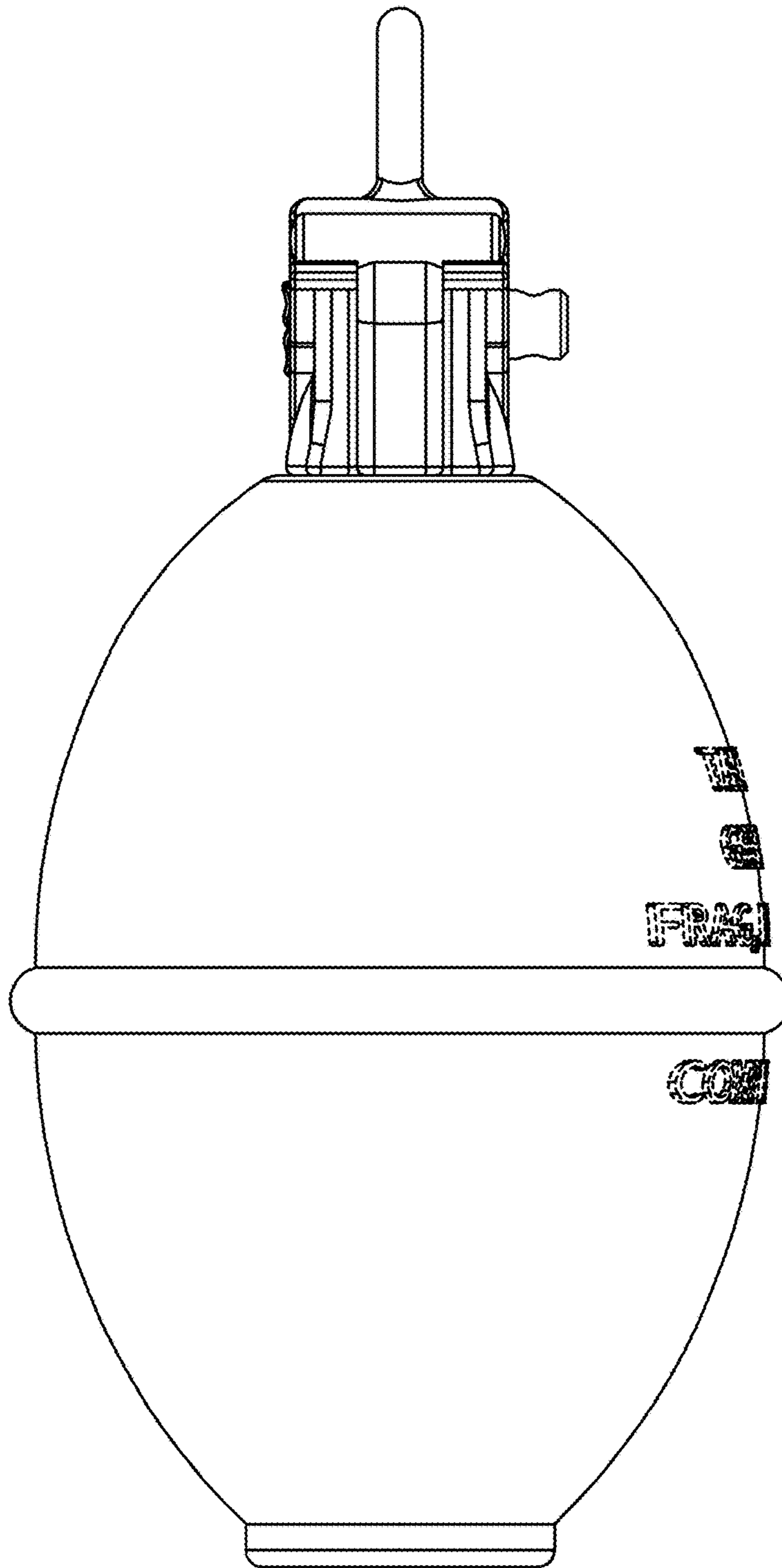


FIG. 4

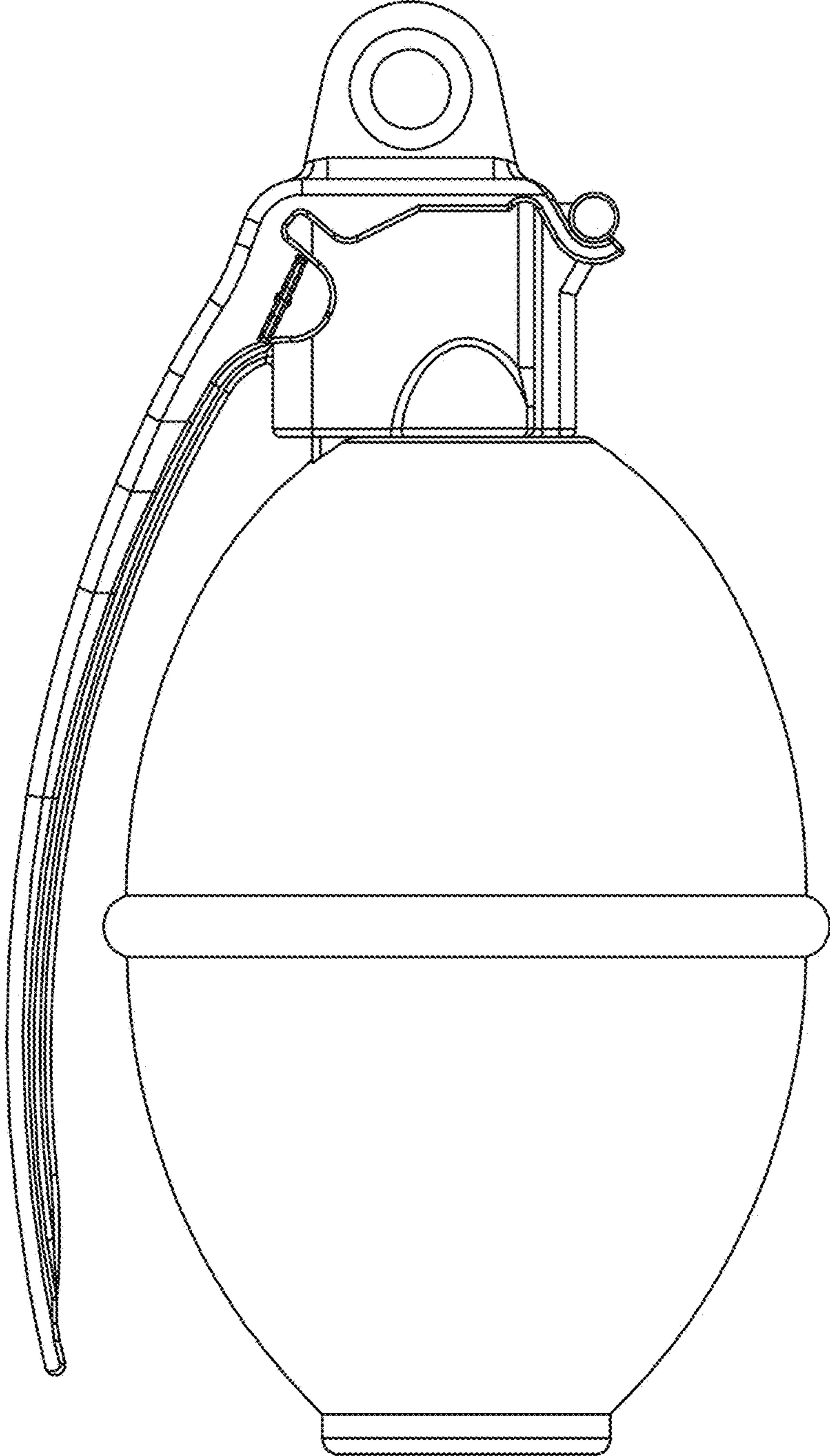


FIG. 5

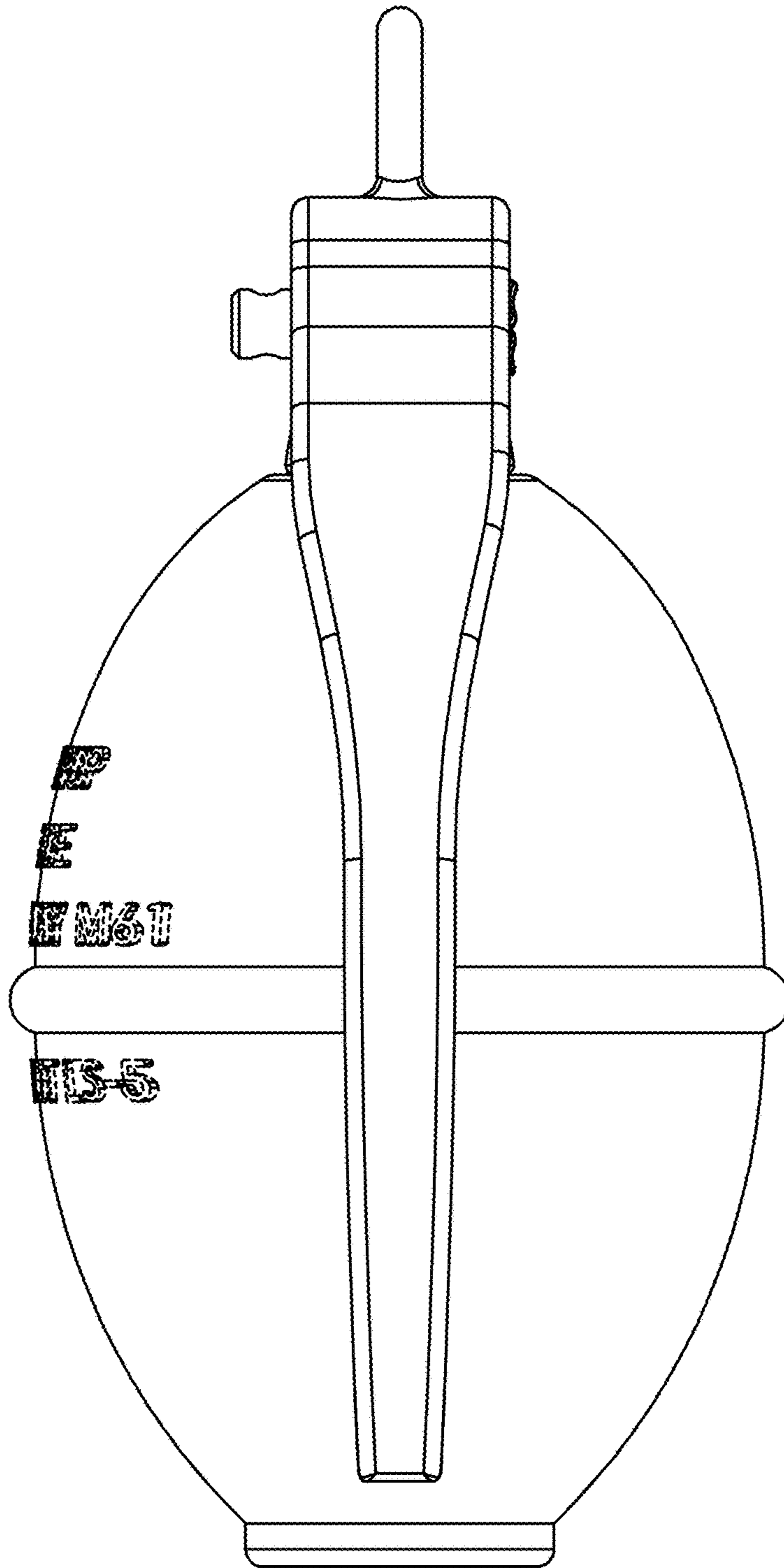


FIG. 6

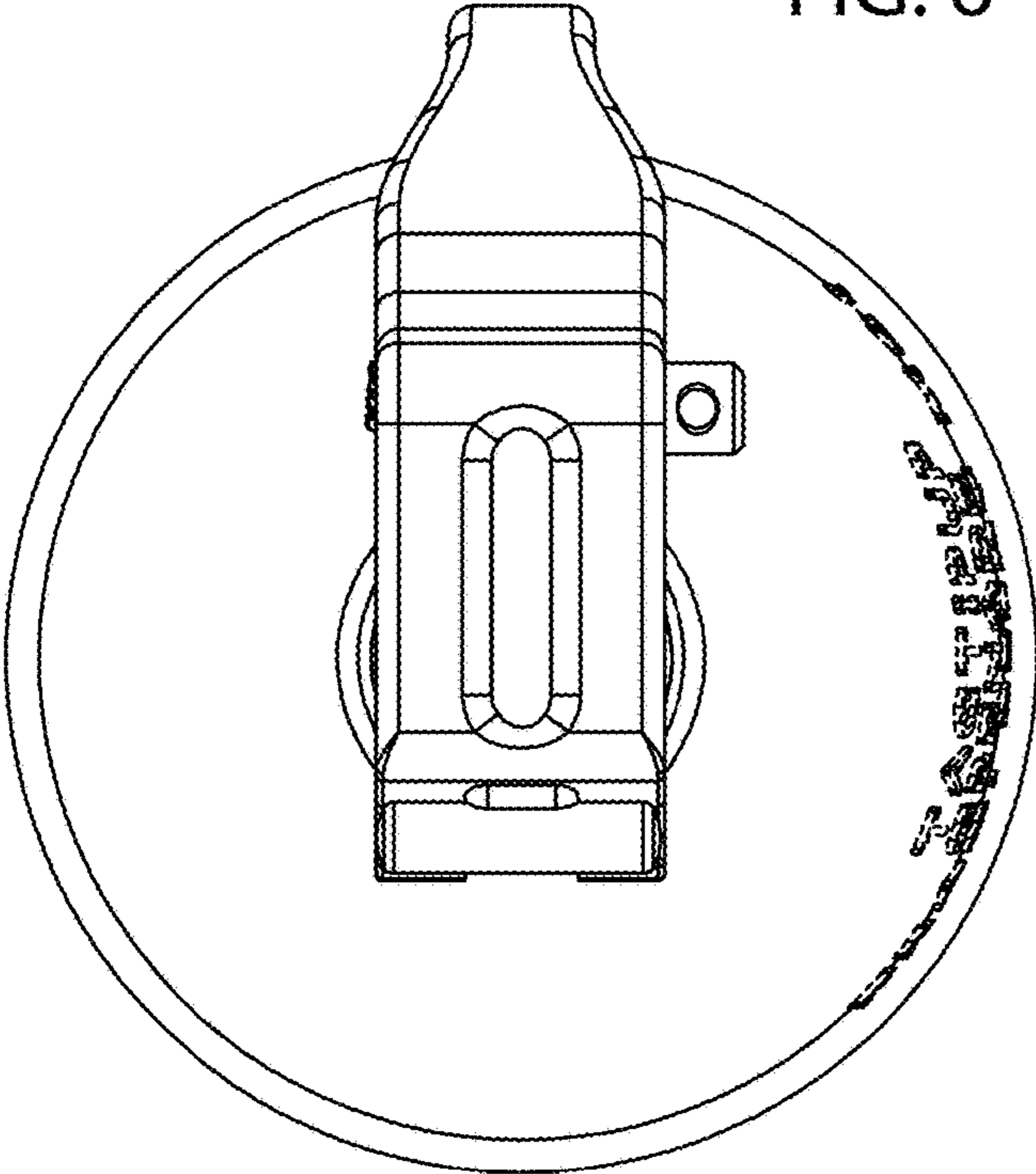


FIG. 7

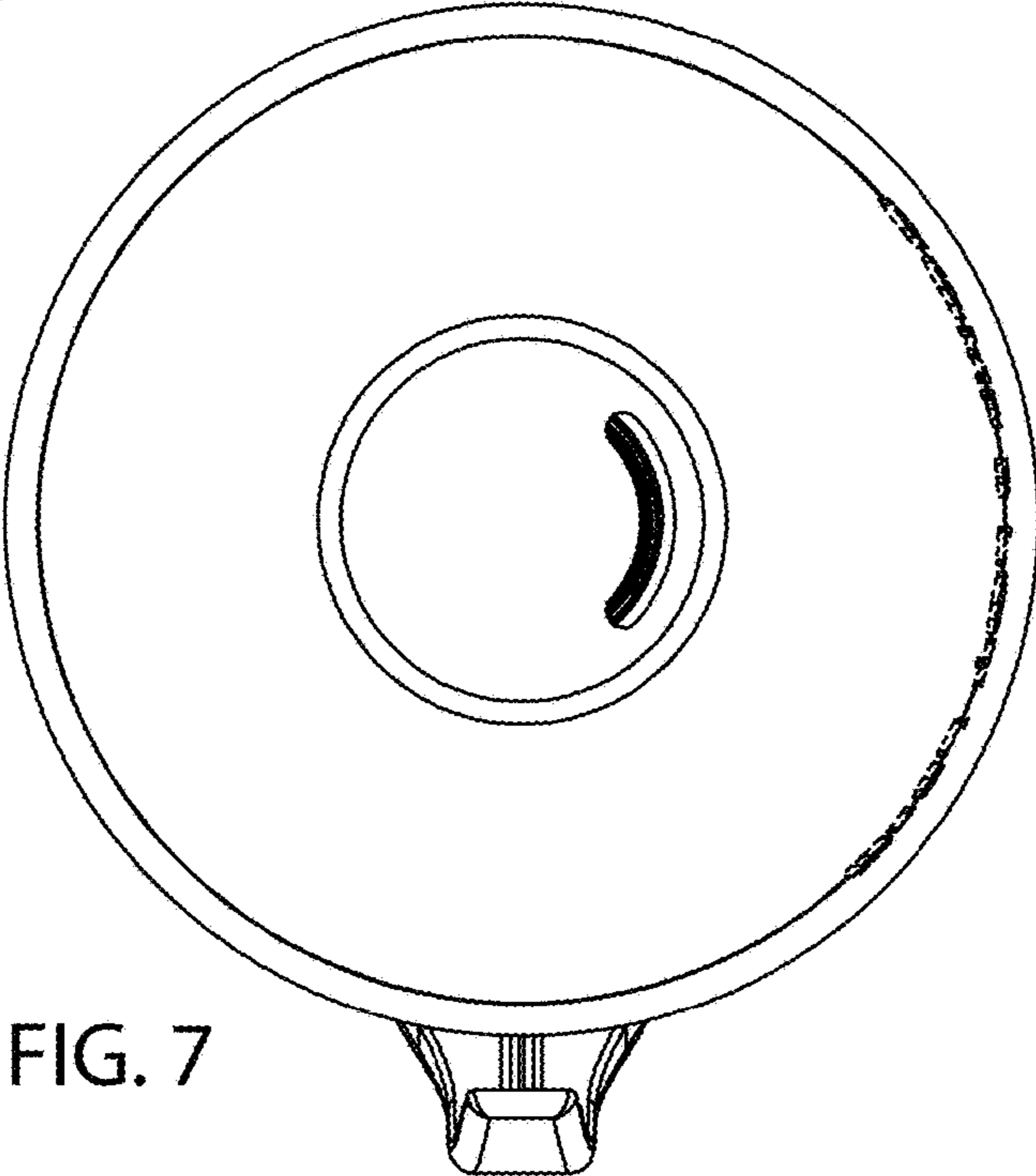


FIG. 8

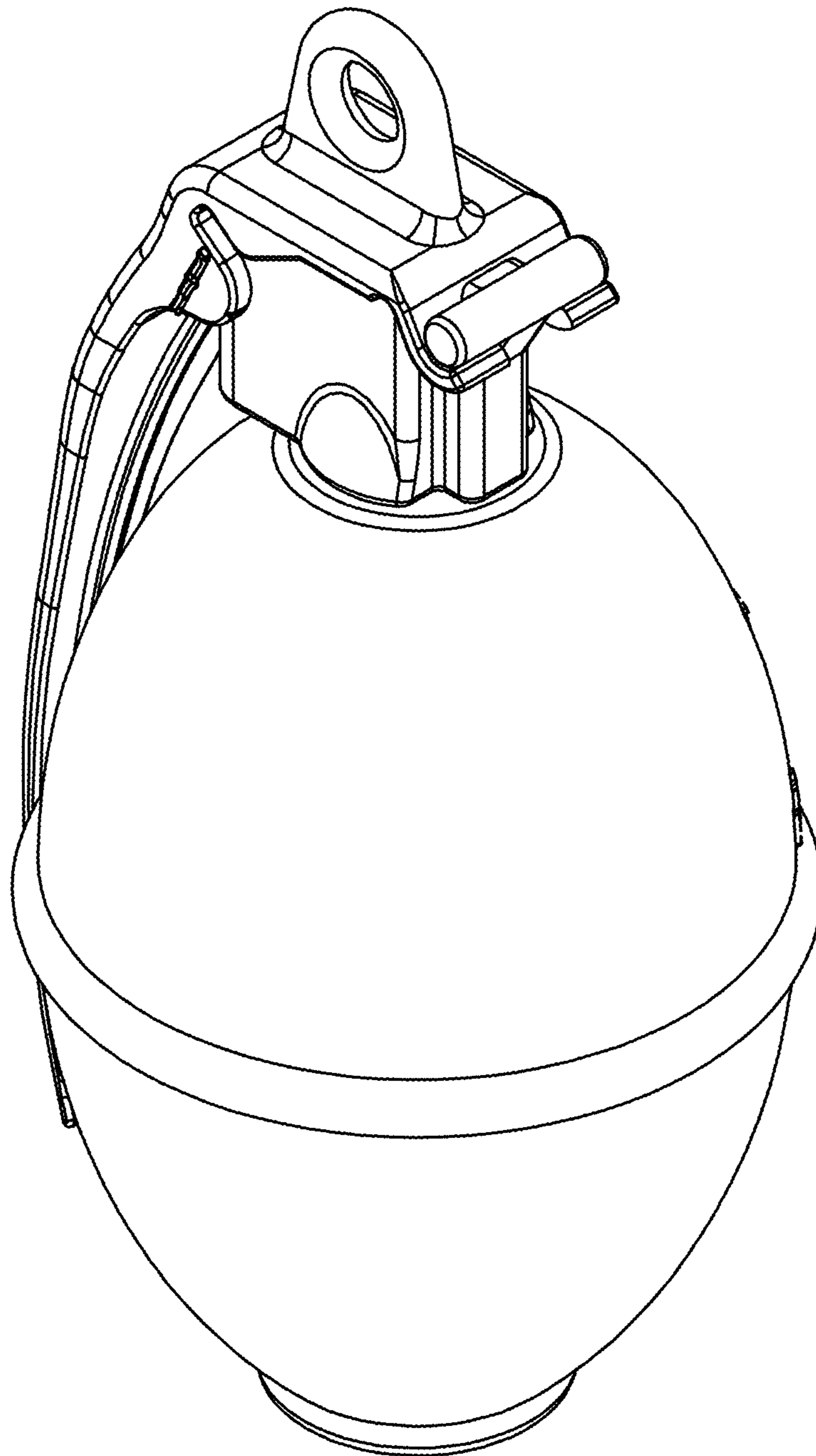


FIG. 9

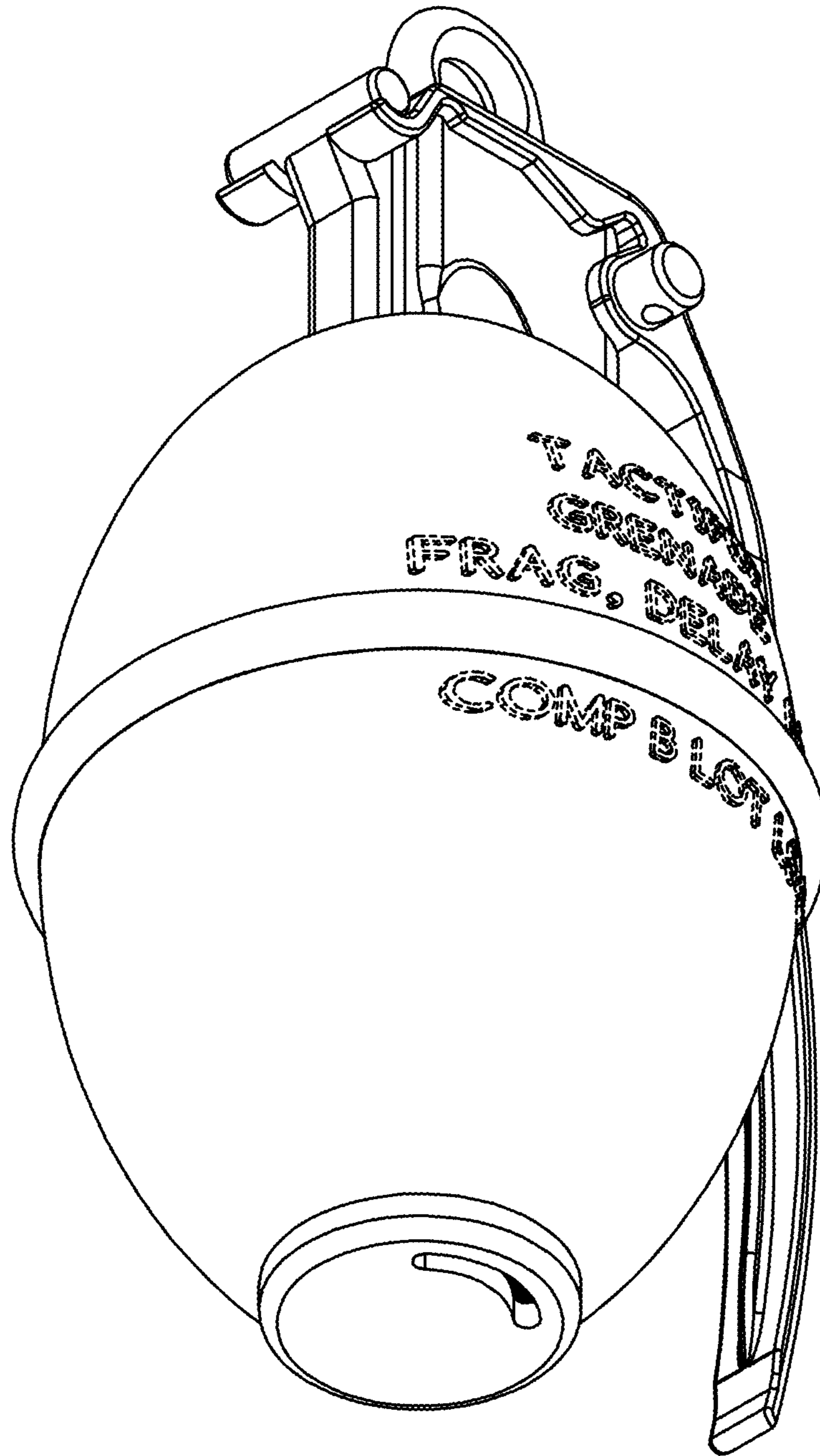


FIG. 10

