



US00D775480S

(12) **United States Design Patent**  
**Wagner**

(10) **Patent No.:** **US D775,480 S**  
(45) **Date of Patent:** **\*\* Jan. 3, 2017**

(54) **CHAIR**

(71) Applicant: **TOPSTAR GmbH**, Langenneufnach (DE)

(72) Inventor: **Peter Wagner**, Neusäß (DE)

(73) Assignee: **TOPSTAR GMBH**, Alemania (DE)

(\*\*) Term: **15 Years**

(21) Appl. No.: **29/543,575**

(22) Filed: **Oct. 26, 2015**

(30) **Foreign Application Priority Data**

Apr. 24, 2015 (EM) ..... 002689240

(51) **LOC (10) Cl.** ..... **06-01**

(52) **U.S. Cl.**  
USPC ..... **D6/366**

(58) **Field of Classification Search**

USPC ..... D6/364-368, 374, 716; 297/452.24,  
297/452.26, 452.28, 452.32-33, 452.37  
CPC ..... A47C 7/02; A47C 7/44; A47C 7/46;  
A47C 7/48; A47C 7/54; A47C  
7/386; A47C 7/462; A47C 1/10; A47C  
1/031; B60N 2/02; B60N 2/22; B60N  
2/44

See application file for complete search history.

(56) **References Cited**

**U.S. PATENT DOCUMENTS**

D293,982 S \* 2/1988 Vogtherr ..... D6/372  
D467,444 S \* 12/2002 Hess ..... D6/370  
D477,151 S \* 7/2003 Koepke ..... D6/366  
D506,894 S \* 7/2005 Harley ..... D6/366  
D527,920 S \* 9/2006 Giugiaro ..... D6/366  
D568,057 S \* 5/2008 Igarashi ..... D6/366

D643,641 S \* 8/2011 Figueroa ..... D6/366  
D652,646 S \* 1/2012 Fujita ..... D6/366  
D656,752 S \* 4/2012 Moll ..... D6/366  
D662,331 S \* 6/2012 Czumaj-Bront ..... D6/366  
D663,129 S \* 7/2012 Greutmann ..... D6/366  
D666,016 S \* 8/2012 Citterio ..... D6/366  
D667,231 S \* 9/2012 Citterio ..... D6/366  
D671,332 S \* 11/2012 Izawa ..... D6/366  
D684,783 S \* 6/2013 Hsiao ..... D6/366  
D687,641 S \* 8/2013 Barrell ..... D6/366  
D688,056 S \* 8/2013 Phillips ..... D6/366  
D689,312 S \* 9/2013 Smith ..... D6/716  
D689,318 S \* 9/2013 Smith ..... D6/716.4  
D699,957 S \* 2/2014 Smith ..... D6/366  
D704,944 S \* 5/2014 Koepke ..... D6/366  
D707,976 S \* 7/2014 Smith ..... D6/366  
D752,889 S \* 4/2016 Bench ..... D6/366

\* cited by examiner

*Primary Examiner* — Manpreet Matharu

*Assistant Examiner* — Keith Wilson

(74) *Attorney, Agent, or Firm* — Cantor Colburn LLP

(57) **CLAIM**

I claim, the ornamental design for chair, as shown and described.

**DESCRIPTION**

FIG. 1 is a front perspective view of a chair, showing my new design;

FIG. 2 is a front elevation view thereof;

FIG. 3 is a rear elevation view thereof;

FIG. 4 is a side view thereof, taken from the right of FIG. 1;

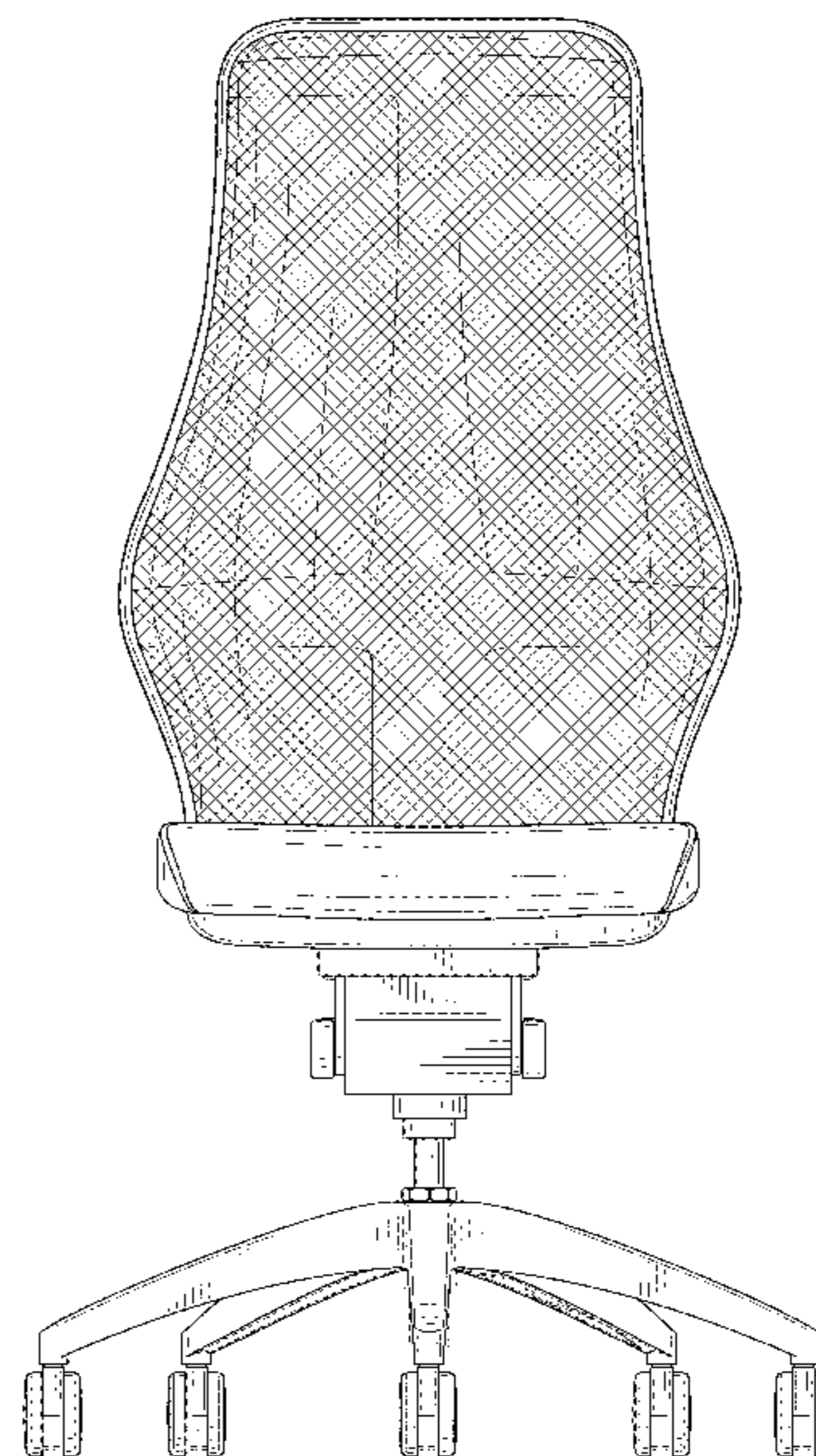
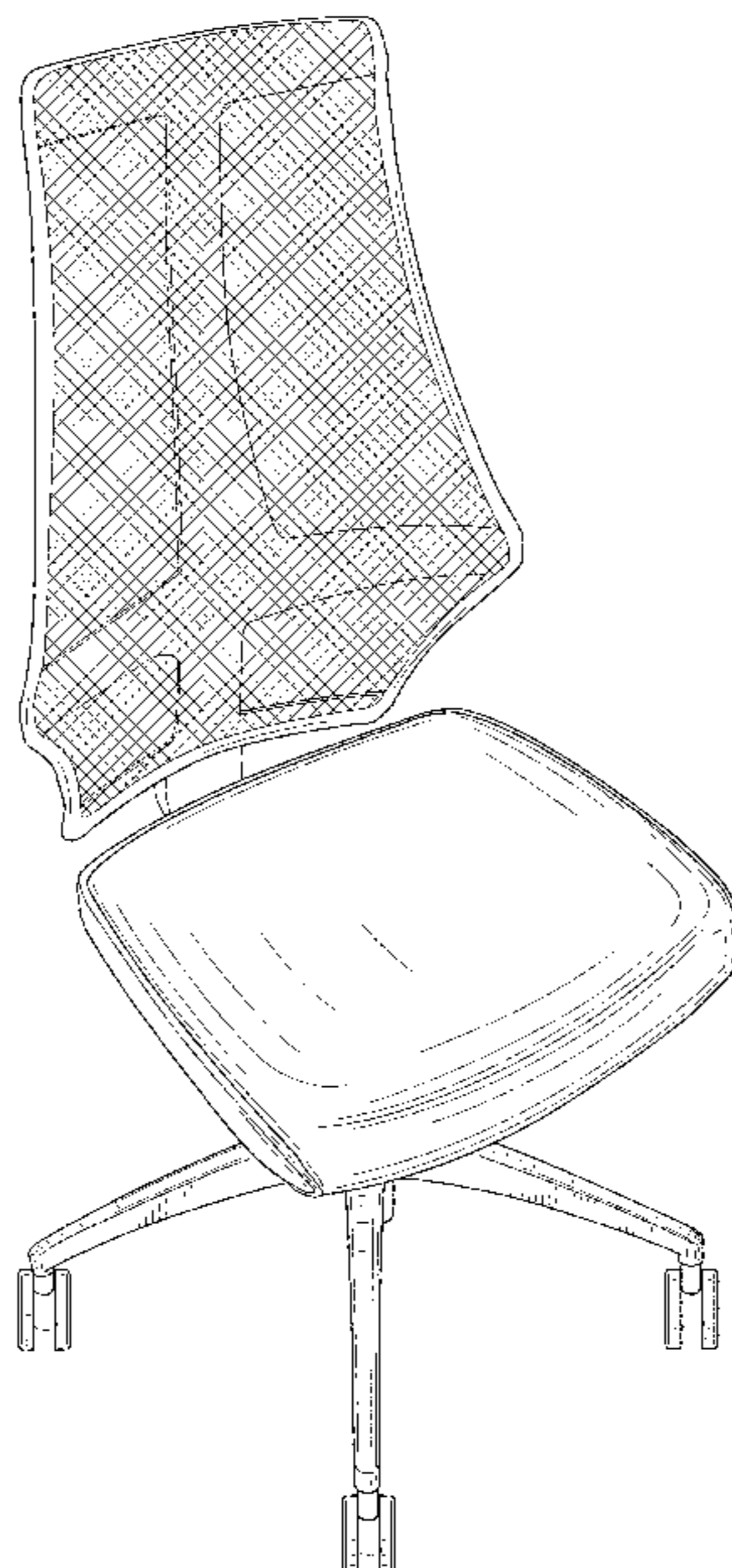
FIG. 5 is a side view thereof, taken from the left of FIG. 1;

FIG. 6 is a top plan view thereof; and,

FIG. 7 is a bottom plan view thereof.

The portions of the chair that are in broken line form no part of the claim.

**1 Claim, 7 Drawing Sheets**



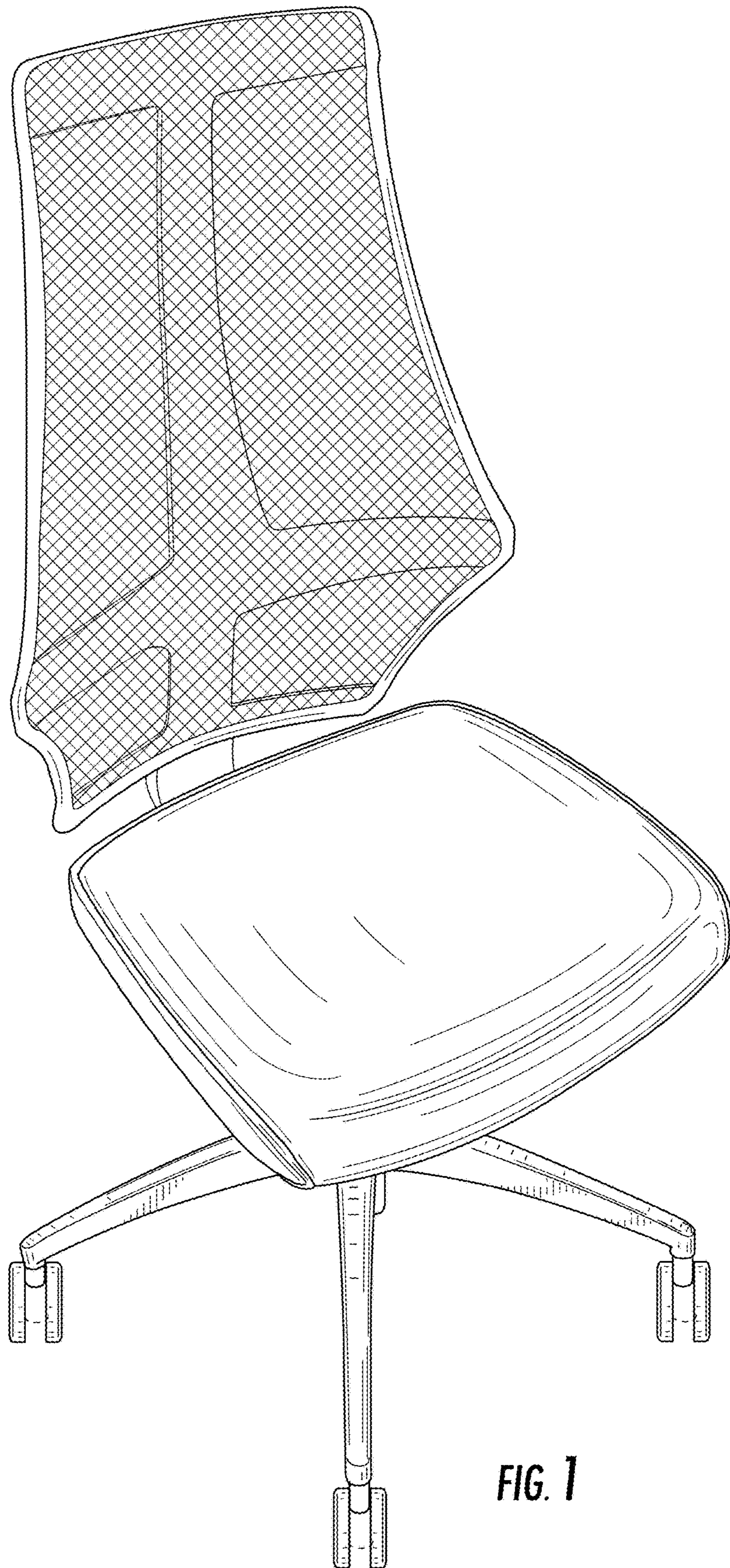
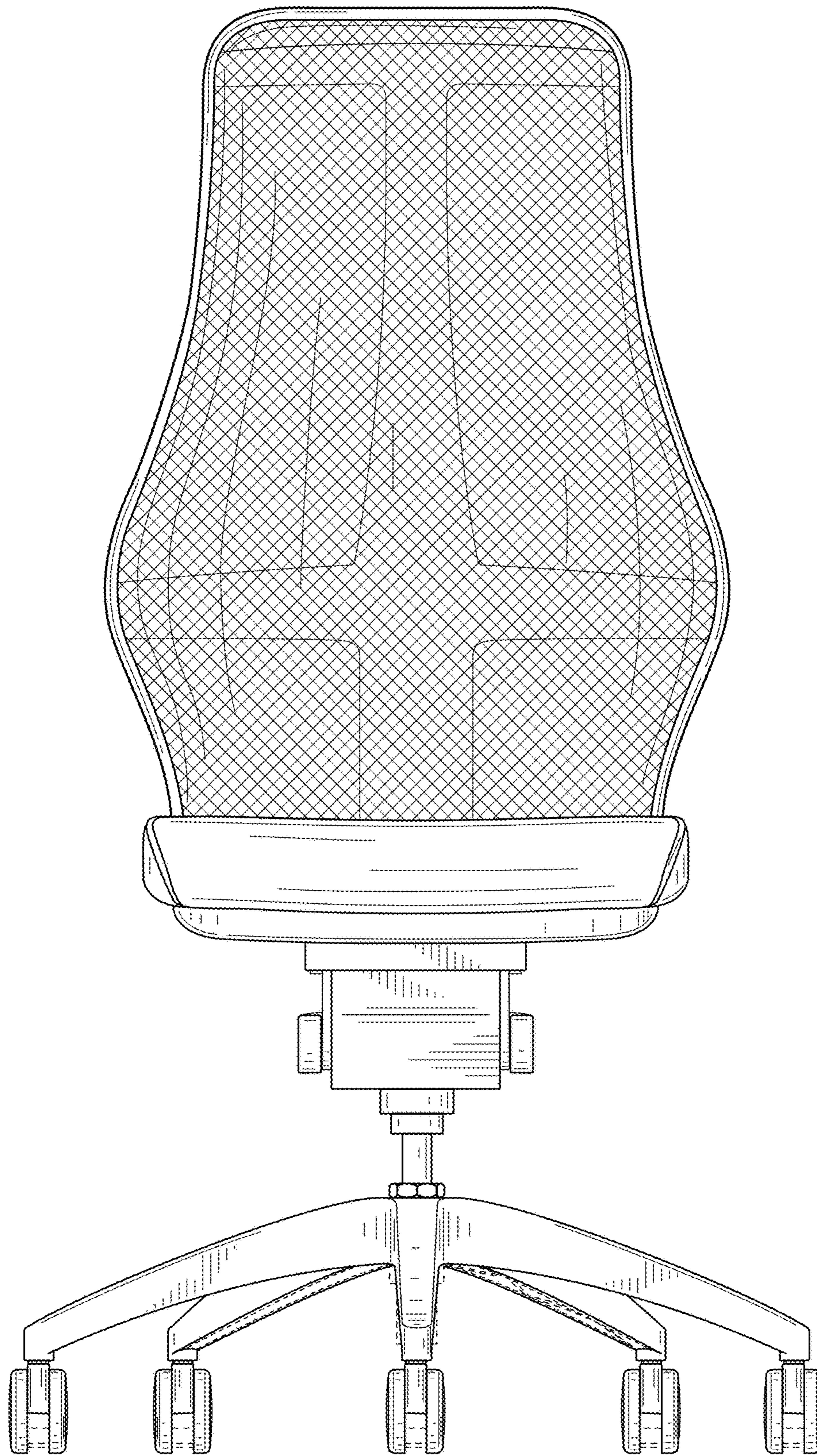
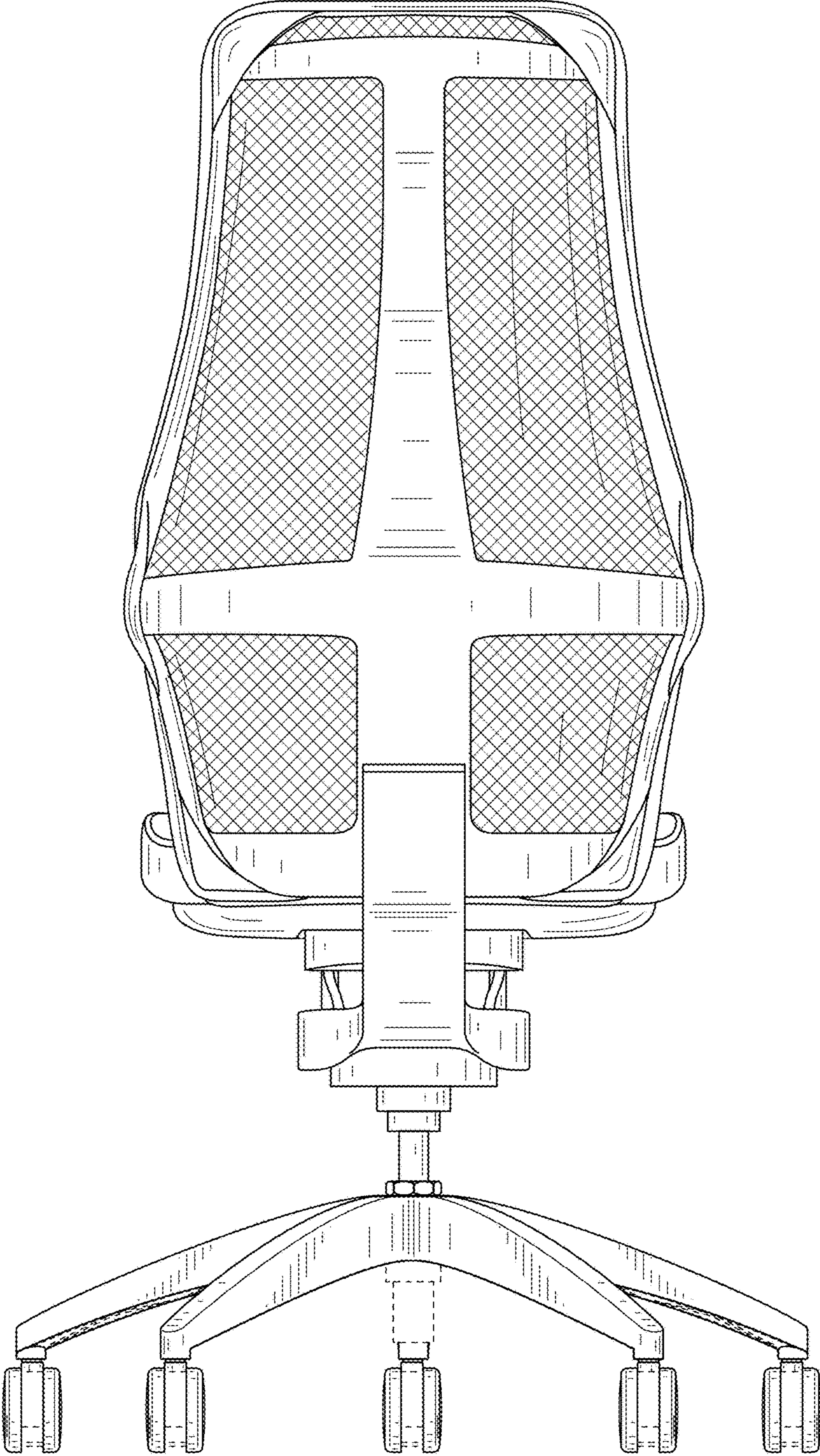


FIG. 1



**FIG. 2**



**FIG. 3**

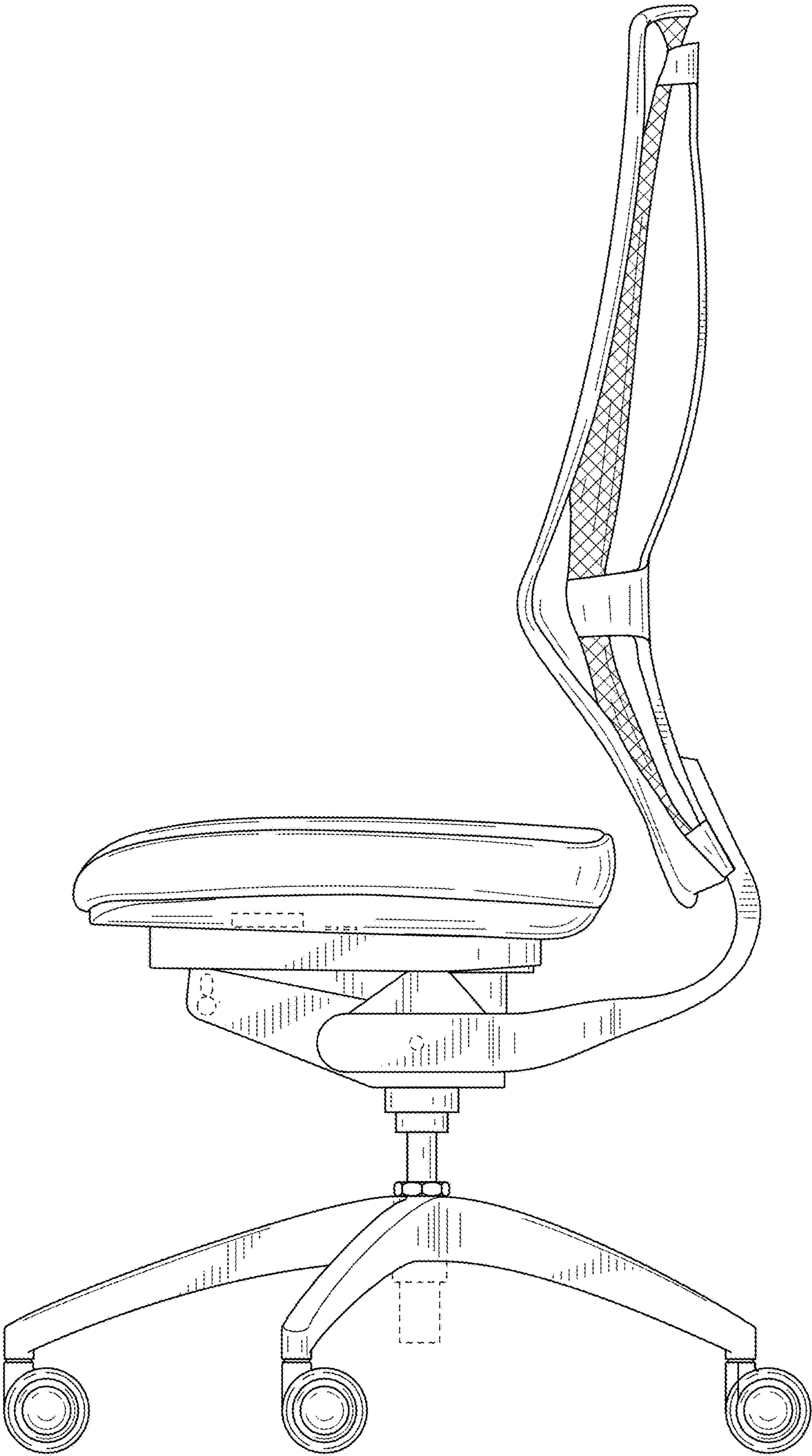
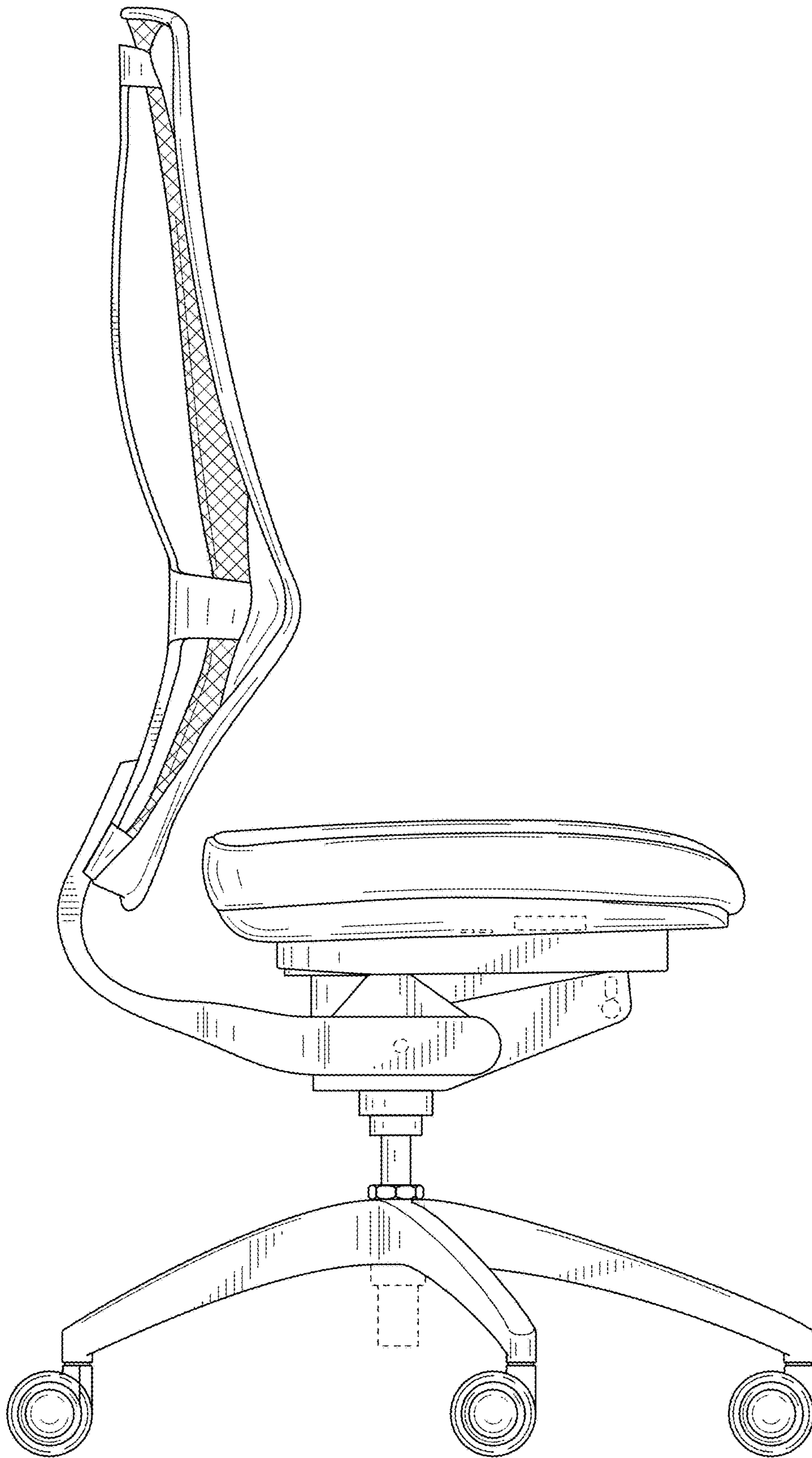


FIG. 4



**FIG. 5**

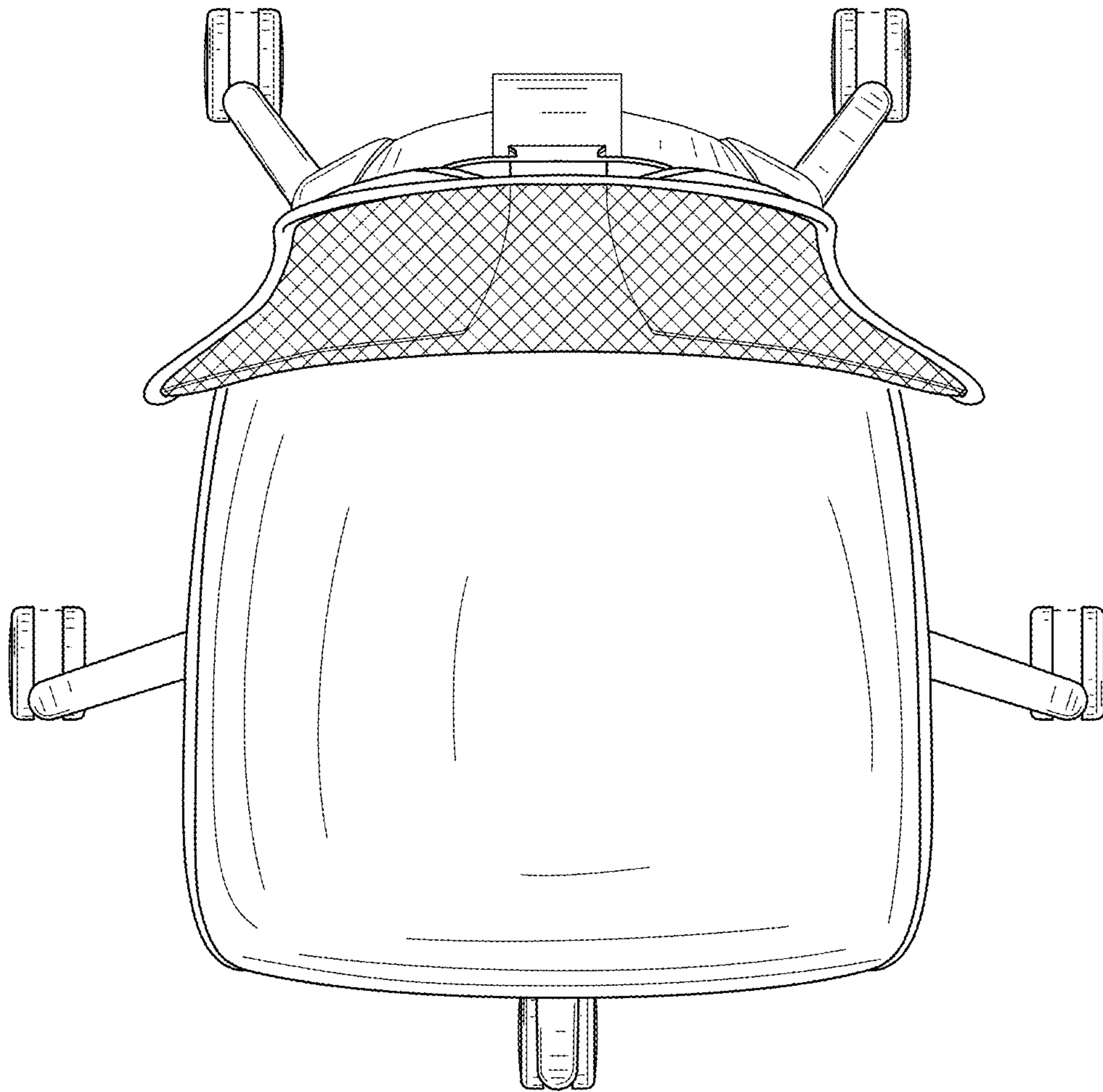


FIG. 6

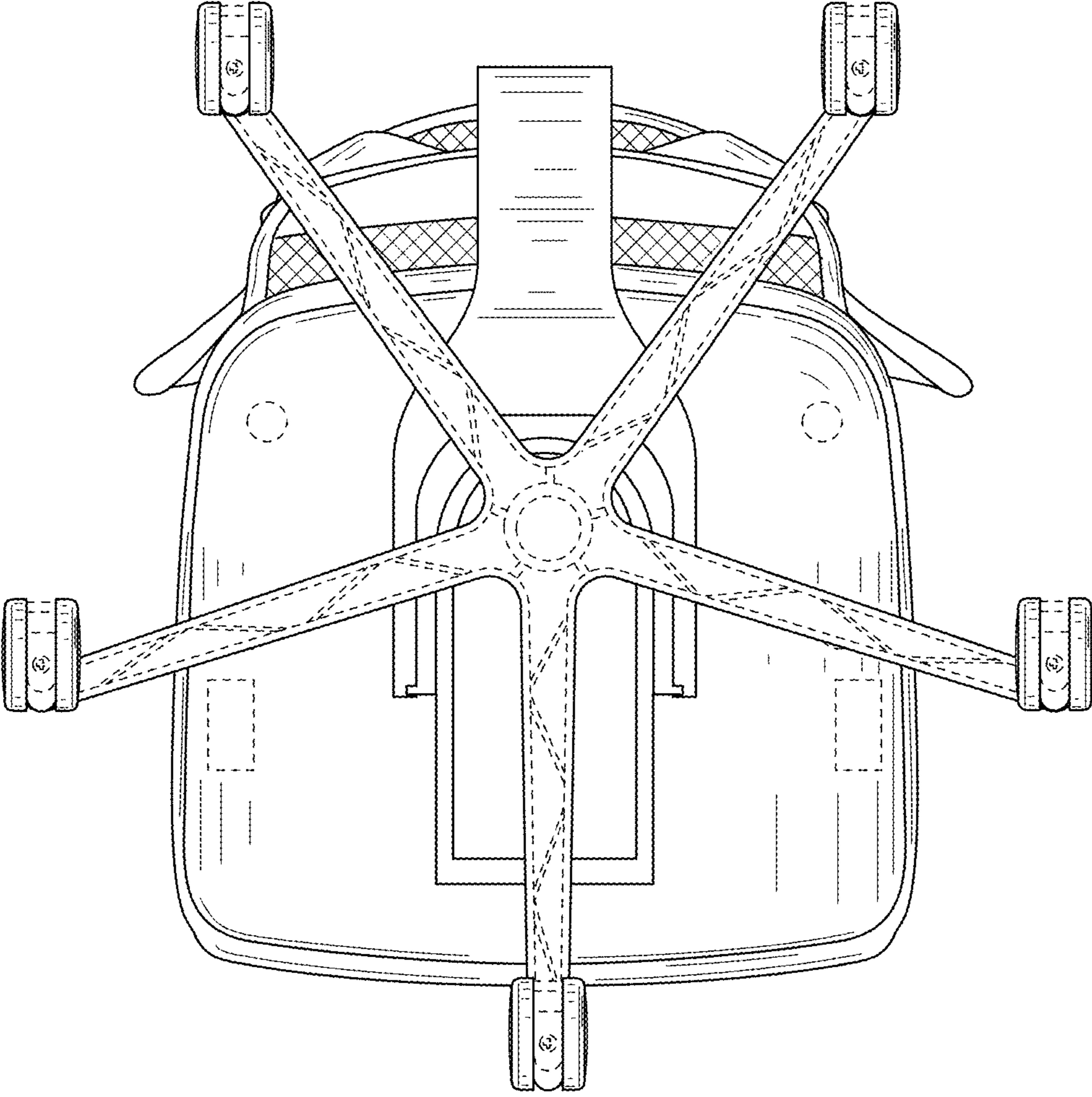


FIG. 7