



US00D775477S

(12) **United States Design Patent**
Corless

(10) **Patent No.:** **US D775,477 S**

(45) **Date of Patent:** **** Jan. 3, 2017**

- (54) **TIE RACK**
- (71) Applicant: **Hardware Resources, Inc.**, Bossier City, LA (US)
- (72) Inventor: **Justin Corless**, Flower Mound, TX (US)
- (73) Assignee: **HARDWARE RESOURCES, INC.**, Bossier City, LA (US)
- (**) Term: **15 Years**
- (21) Appl. No.: **29/546,901**
- (22) Filed: **Nov. 27, 2015**
- (51) **LOC (10) Cl.** **06-08**
- (52) **U.S. Cl.**
USPC **D6/320**
- (58) **Field of Classification Search**
USPC D6/315-328, 512, 513, 553, 552, 557, D6/570; 223/85-98; 211/13.1, 85.3, 60.1, 211/63, 70.1, 86.01, 87.01, 106.01; D8/356, 367, 372
CPC A47G 25/32; A47G 25/28; A47G 25/743; A47G 25/26; A47G 25/30; A47G 25/1442; A47G 25/06; A47G 25/38; A47G 25/50; A47G 25/06; A47G 25/74; A47G 25/1414; A47G 25/34; A47G 29/08; A47G 29/00; A47F 5/0006; A47F 7/19; A47F 7/12
See application file for complete search history.

- 2,582,127 A * 1/1952 Hort A47G 25/746
211/104
- 2,598,492 A * 5/1952 Boes B65D 25/105
206/480
- 2,603,359 A * 7/1952 Pestyner A47G 25/746
211/104
- D175,991 S * 11/1955 Tomlinson D6/320
- 2,917,185 A * 12/1959 Kovacs A47G 25/746
211/94.01
- D201,186 S * 5/1965 Davis D19/90
- D216,900 S * 3/1970 Miller D6/320
- 3,938,667 A * 2/1976 Buckland A47G 25/746
211/85.3
- 4,367,819 A * 1/1983 Lewis A47G 25/0678
211/106.01
- D291,031 S * 7/1987 Luongo D6/317
- 5,209,382 A * 5/1993 Chang A47G 25/746
211/87.01
- 5,425,463 A * 6/1995 Toscanini A47G 25/746
211/104
- D398,160 S * 9/1998 Umbarger D6/320
- D409,005 S * 5/1999 Knight D6/320
- D409,847 S * 5/1999 Augspurger D6/315
- D446,672 S * 8/2001 Sanders D6/552
- D598,227 S * 8/2009 Oakes D6/553

(Continued)

Primary Examiner — Derrick Holland
Assistant Examiner — Lauren Calve
(74) *Attorney, Agent, or Firm* — Schultz & Associates, P.C.

(57) **CLAIM**

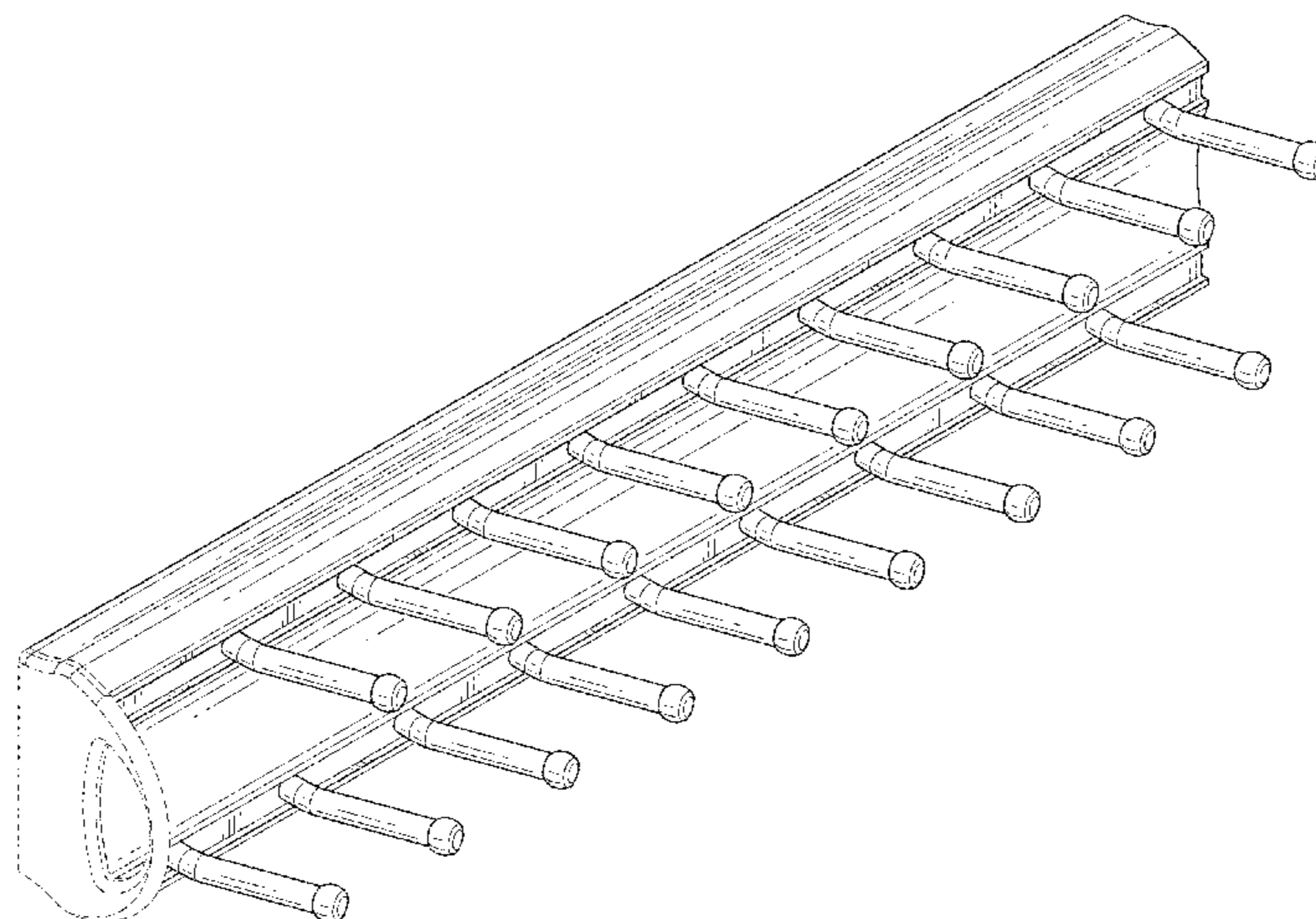
The ornamental design for a tie rack, as shown and described.

DESCRIPTION

FIG. 1 is a perspective view of a tie rack showing my new design;
FIG. 2 is a side elevation view thereof;
FIG. 3 is a front elevation view thereof; and,
FIG. 4 is a top view thereof.
The broken lines shown represent unclaimed subject matter and form no part of the claimed design.

1 Claim, 3 Drawing Sheets

- (56) **References Cited**
U.S. PATENT DOCUMENTS
- 1,687,129 A * 10/1928 Henninger A47G 25/746
211/124
- 2,128,606 A * 8/1938 De Voss, Jr. A47G 25/746
211/85.3
- D127,295 S * 5/1941 Franklin D6/320
- D164,653 S * 9/1951 Steib D6/320



(56)

References Cited

U.S. PATENT DOCUMENTS

7,954,652 B2 *	6/2011	Kao	B25H 3/04
				211/106.01
8,028,844 B2 *	10/2011	Costa	A47B 61/02
				211/104
D704,474 S *	5/2014	Klein	D6/552
D747,895 S *	1/2016	Florek	D6/552
2016/0120351 A1 *	5/2016	Davis	F16C 11/04
				211/85.3

* cited by examiner

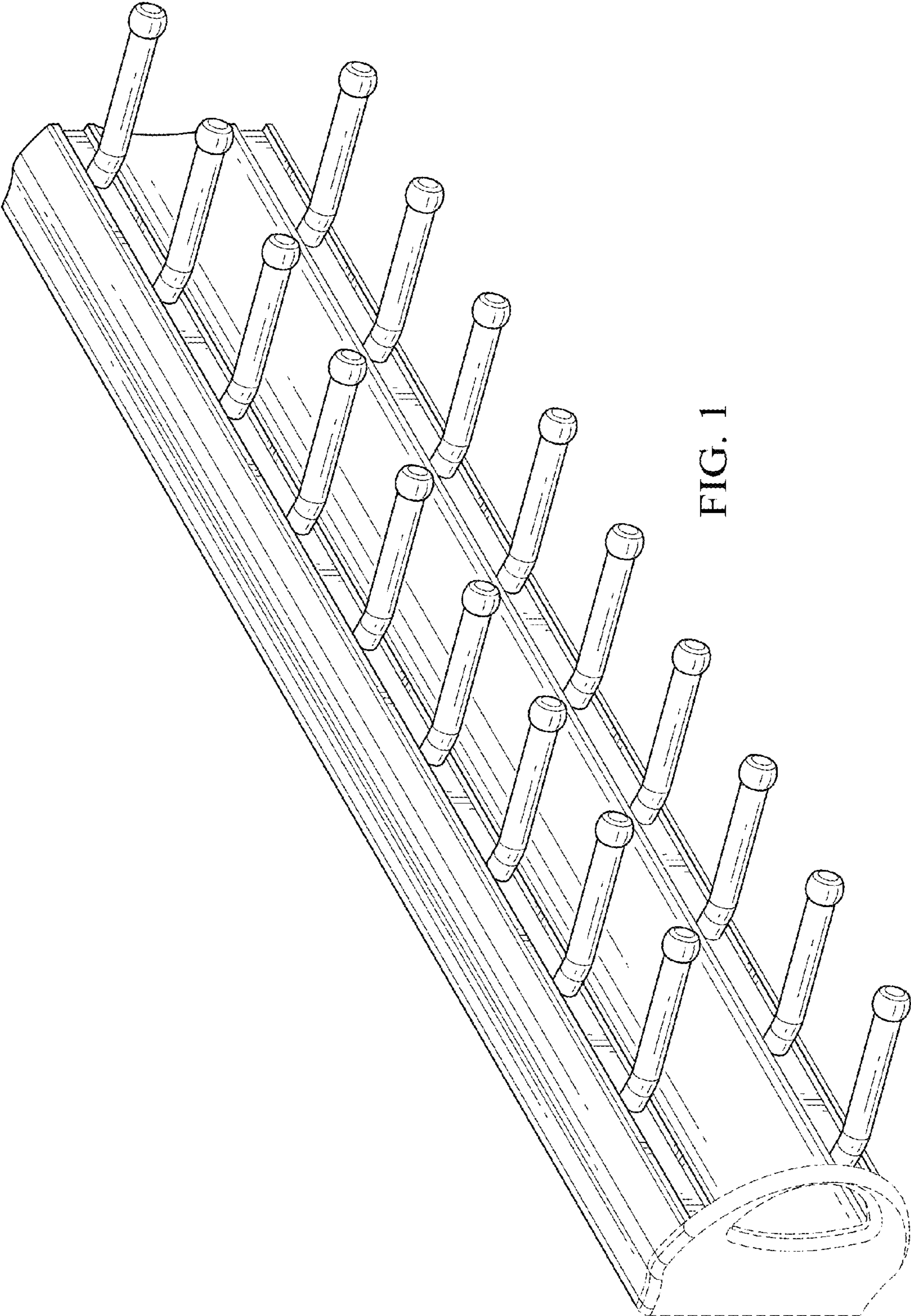


FIG. 1

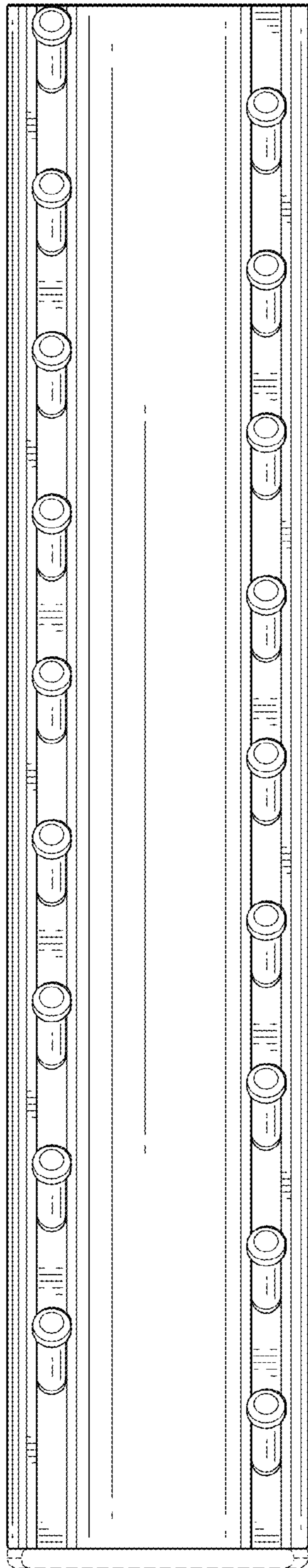


FIG. 2

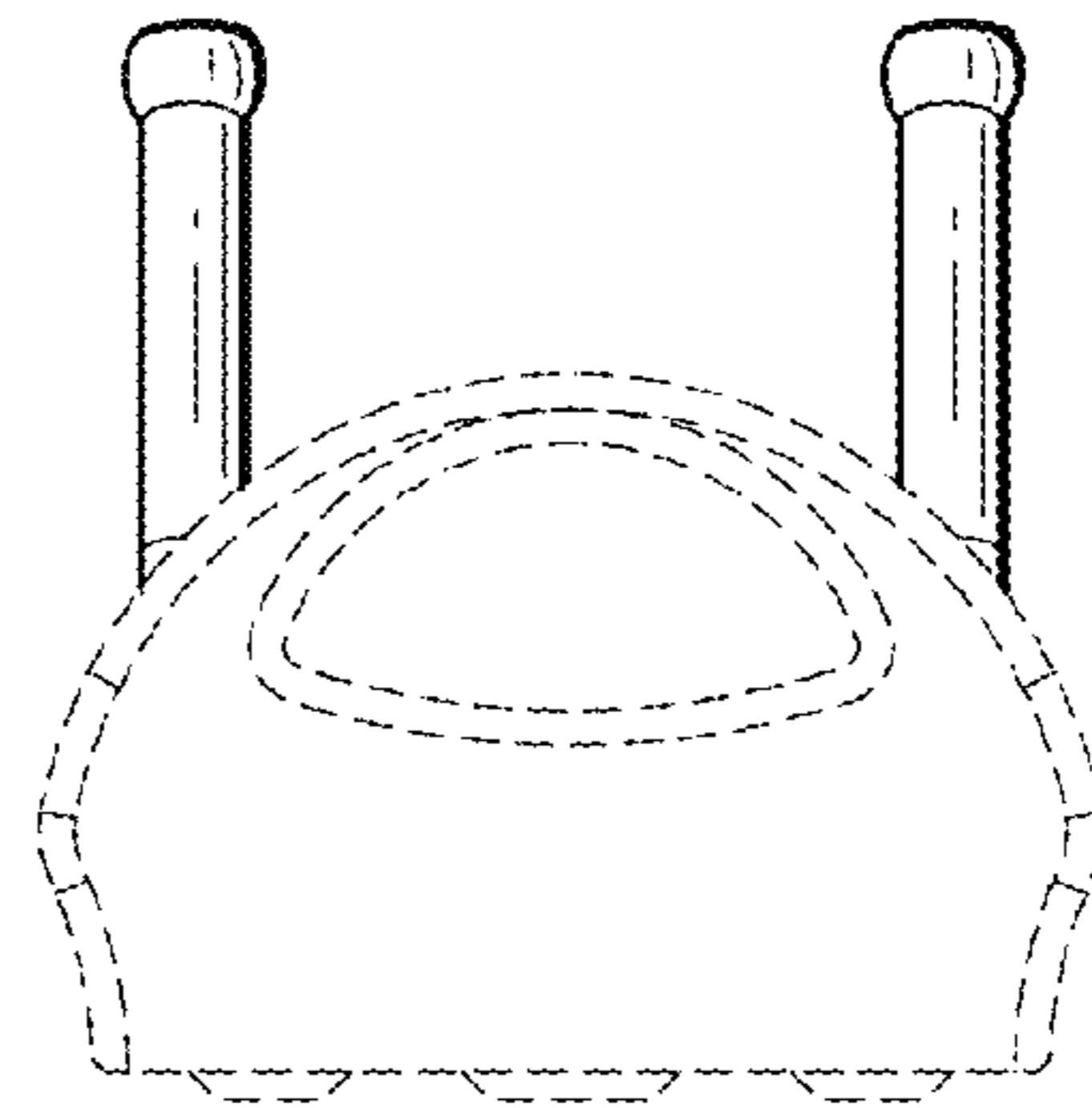


FIG. 3

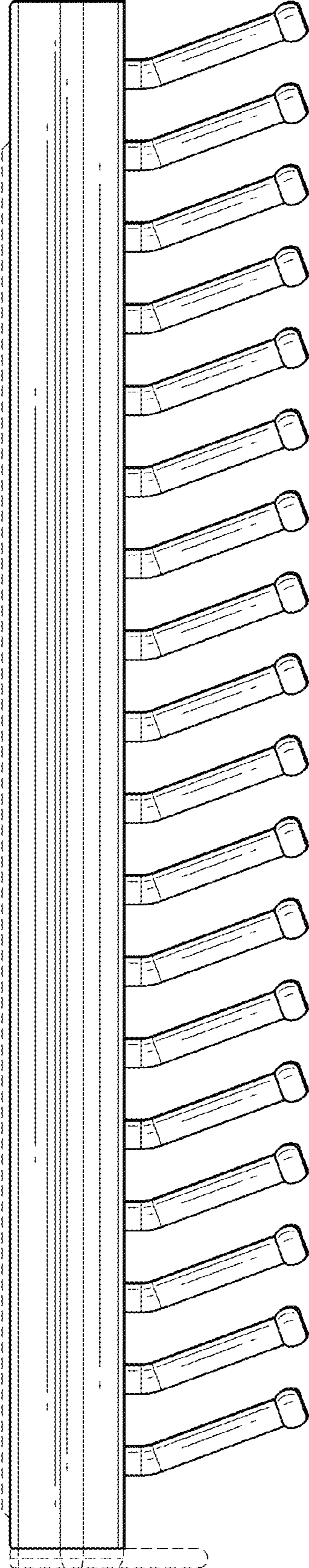


FIG. 4