



US00D775475S

(12) **United States Design Patent** (10) **Patent No.:** **US D775,475 S**  
**Janica et al.** (45) **Date of Patent:** **\*\* Jan. 3, 2017**

(54) **PICTURE FRAME**  
(71) Applicant: **Fundacja LABLAB**, Cracow (PL)  
(72) Inventors: **Michal Janica**, Cracow (PL); **Piotr Jerzy Lelek**, Cracow (PL)  
(73) Assignee: **Fundacja LABLAB**, Cracow (PL)  
(\*\*) Term: **15 Years**

D476,818 S \* 7/2003 Stravitz ..... D6/300  
D488,627 S \* 4/2004 Stravitz ..... D6/314  
D505,018 S \* 5/2005 Stravitz ..... D6/300  
D507,118 S \* 7/2005 Stravitz ..... D6/300  
D569,433 S \* 5/2008 Gerules ..... D19/113  
D721,893 S \* 2/2015 Gorham ..... D6/300  
D724,035 S \* 3/2015 Flowers ..... D13/162  
D746,603 S \* 1/2016 Gale ..... D6/300  
D751,831 S \* 3/2016 Shay-Puetzer ..... D6/314

(21) Appl. No.: **29/536,051**  
(22) Filed: **Aug. 13, 2015**

(30) **Foreign Application Priority Data**

Feb. 19, 2015 (EM) ..... 002637561-0001

(51) **LOC (10) Cl.** ..... **06-07**  
(52) **U.S. Cl.**  
USPC ..... **D6/310**  
(58) **Field of Classification Search**  
USPC ..... D6/300, 309, 310  
CPC ..... A47G 1/00; A47G 1/14; A47G 1/141  
See application file for complete search history.

(56) **References Cited**

**U.S. PATENT DOCUMENTS**

D146,264 S \* 1/1947 Moonert ..... D6/311  
D148,929 S \* 3/1948 Hartnett ..... D6/311  
D149,202 S \* 4/1948 Maugham ..... D6/314  
2,553,174 A \* 5/1951 Cross ..... A47G 1/141  
2,581,733 A \* 1/1952 Trask ..... A47G 1/141  
D183,774 S \* 10/1958 Stefanakls ..... D6/311  
D241,299 S \* 9/1976 Ohls ..... D6/301  
D243,990 S \* 4/1977 Williams ..... D6/311  
D247,944 S \* 5/1978 Gaiti ..... D6/314  
D268,316 S \* 3/1983 Shamoon ..... D6/300  
D296,843 S \* 7/1988 Jessop ..... D6/314  
D410,683 S \* 6/1999 Carter ..... D19/113  
D461,962 S \* 8/2002 Ingolfsson ..... D6/314

**OTHER PUBLICATIONS**

Mainstays 5x7 Format Picture Frame, Set of 12, [online], [site visited Aug. 31, 2017]. Available from Internet, <URL: <https://www.walmart.com/ip/Black-Format-Picture-Frame-with-Glass-Set-of-12-5-x-7/10404228>>.\*

\* cited by examiner

*Primary Examiner* — Karen S Acker  
*Assistant Examiner* — Katrina Gonzalez  
(74) *Attorney, Agent, or Firm* — Andrew Malarz

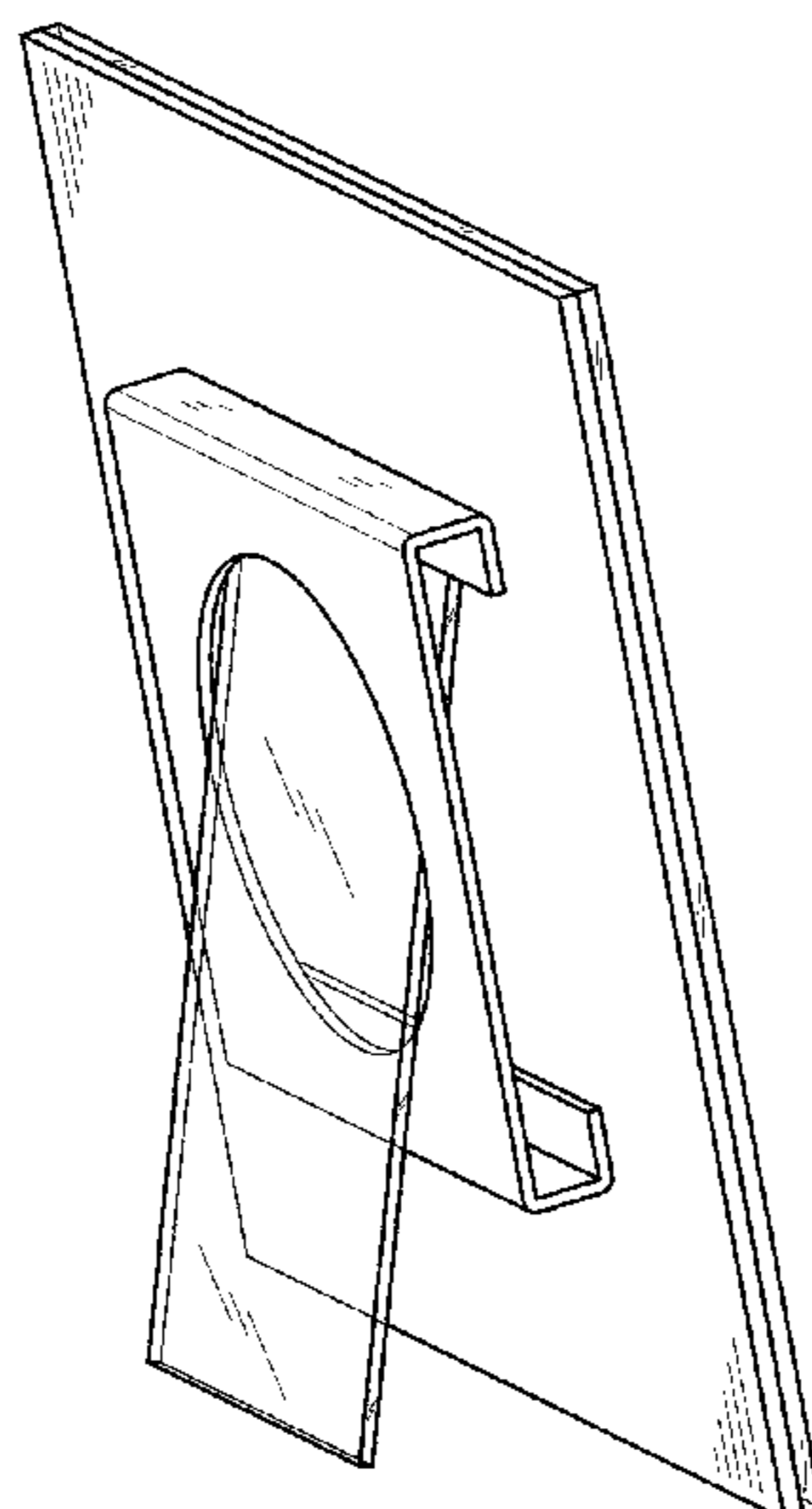
(57) **CLAIM**

The ornamental design for a picture frame, as shown and described.

**DESCRIPTION**

FIG. 1 is a rear perspective view of a picture frame without the support showing our new design;  
FIG. 2 is a rear elevational view thereof;  
FIG. 3 is a bottom plan view thereof;  
FIG. 4 is a front elevational view thereof;  
FIG. 5 is a top plan view thereof;  
FIG. 6 is a left side elevational view thereof;  
FIG. 7 is a right side elevational view thereof;  
FIG. 8 is a rear left side perspective view thereof, with the support included; and,  
FIG. 9 is a rear left side exploded perspective view thereof showing the manner of assembly.

**1 Claim, 6 Drawing Sheets**



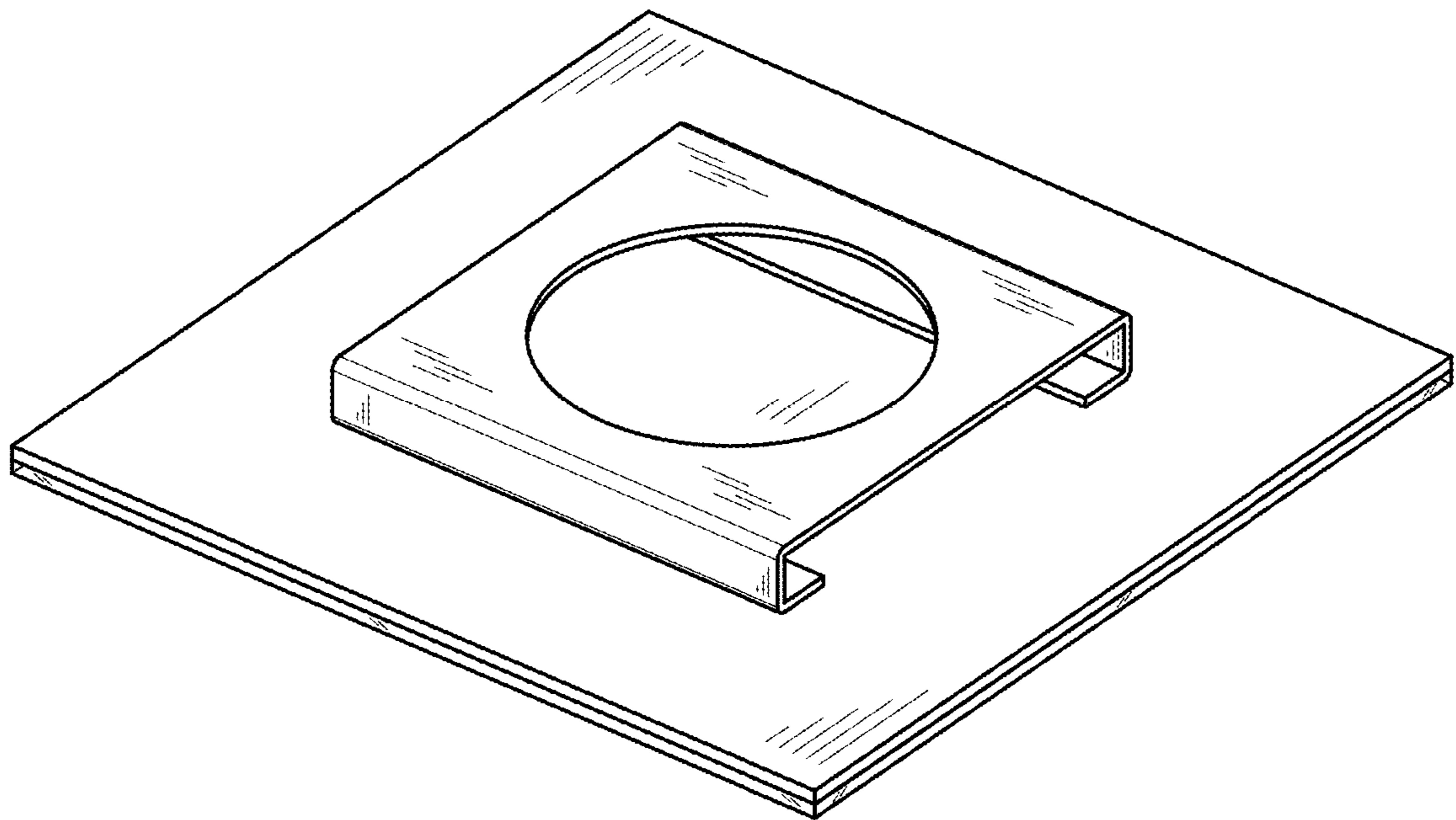


Fig.1

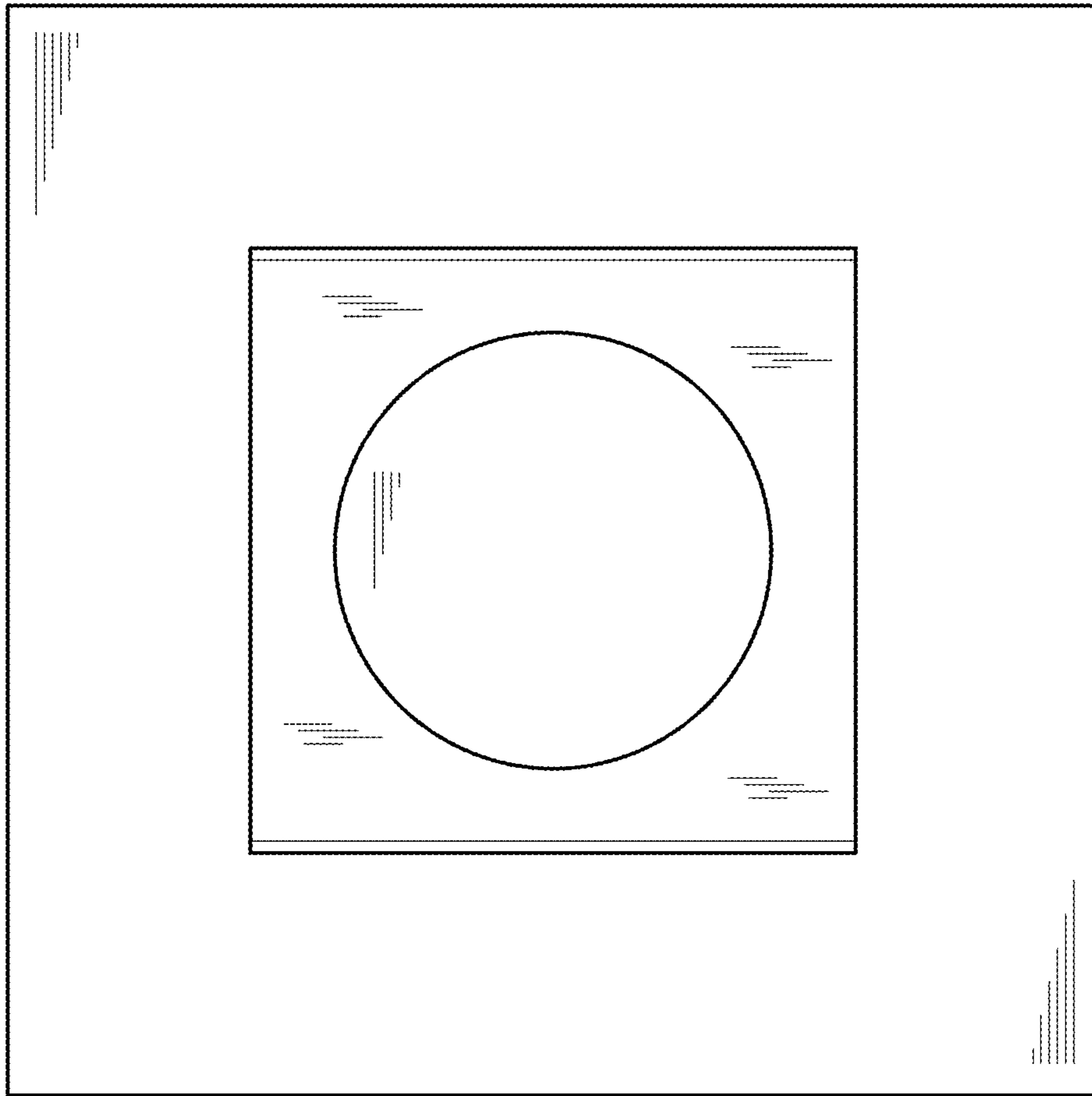


Fig.2

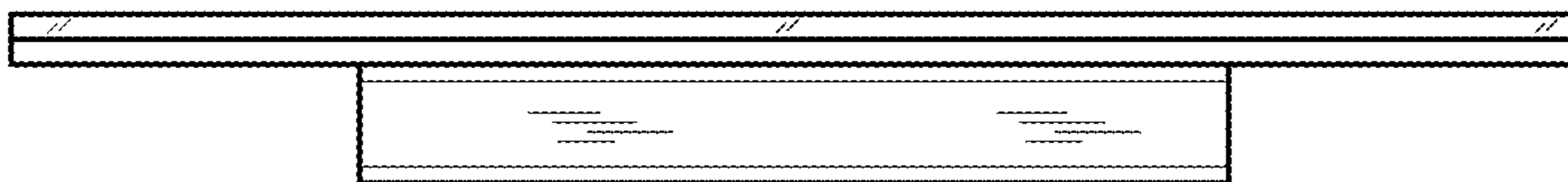


Fig.3

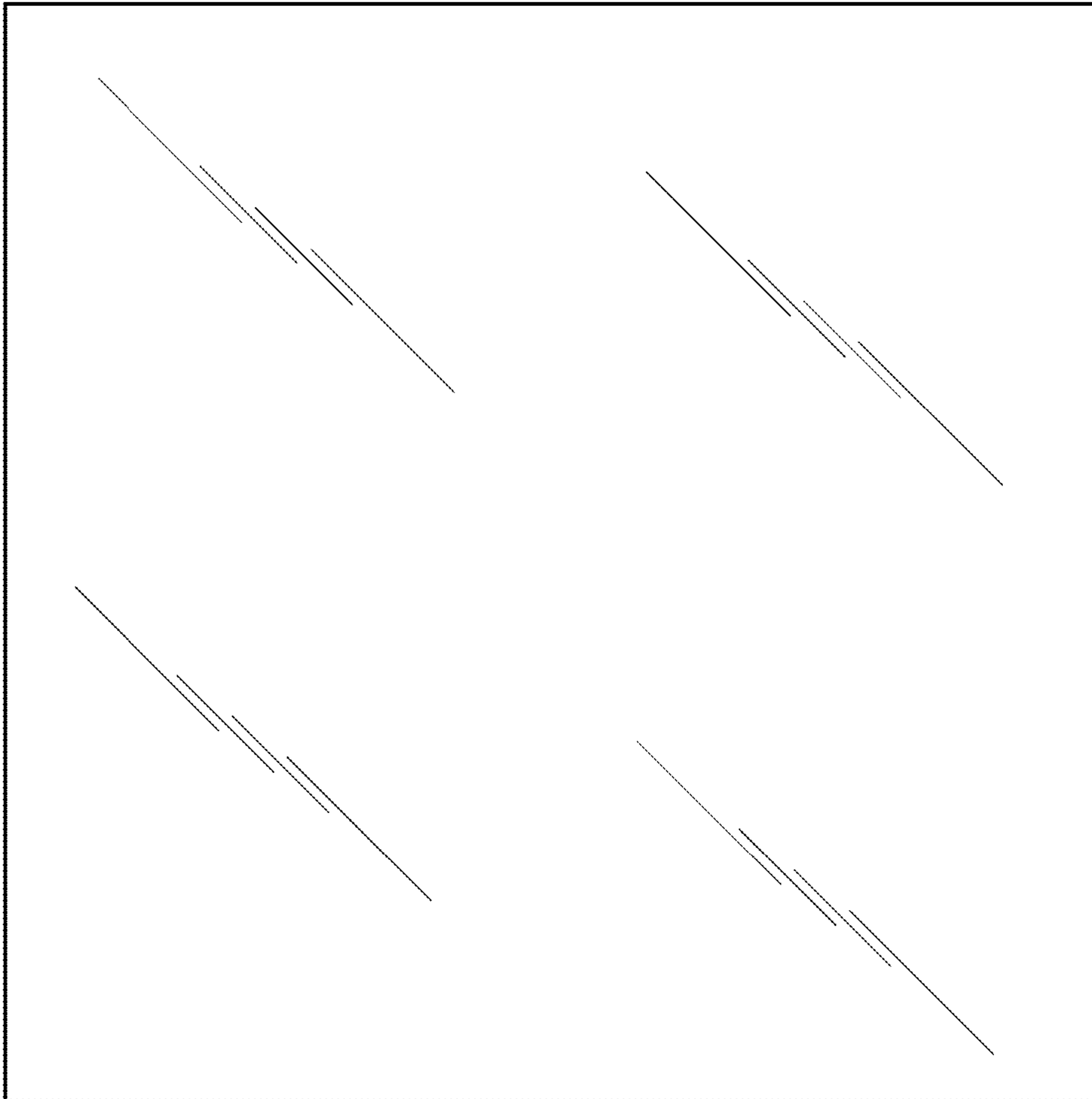


Fig.4

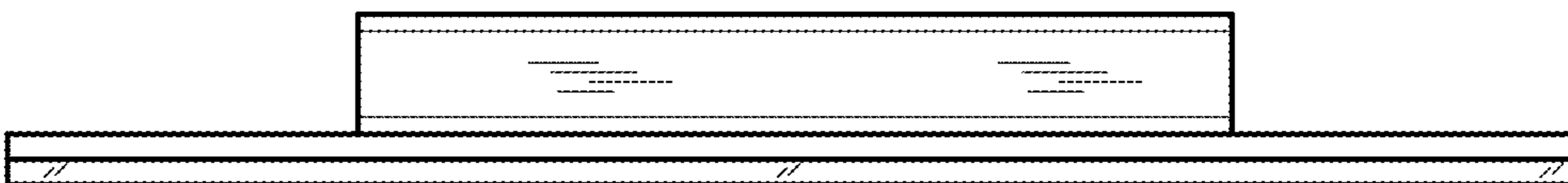


Fig.5

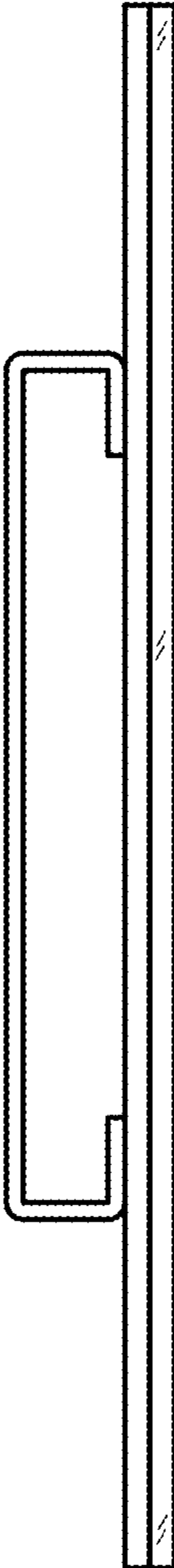


Fig.6

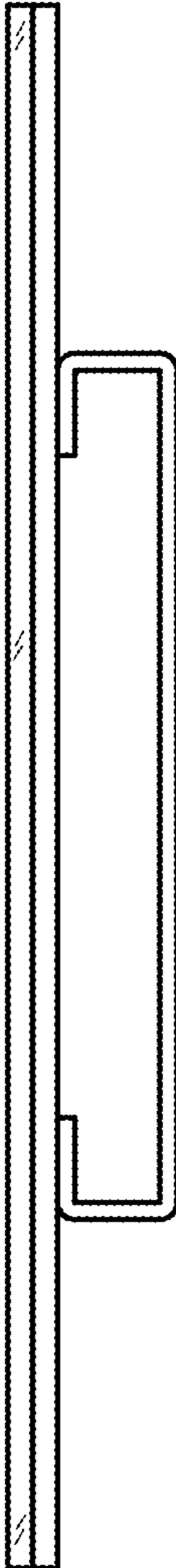


Fig.7

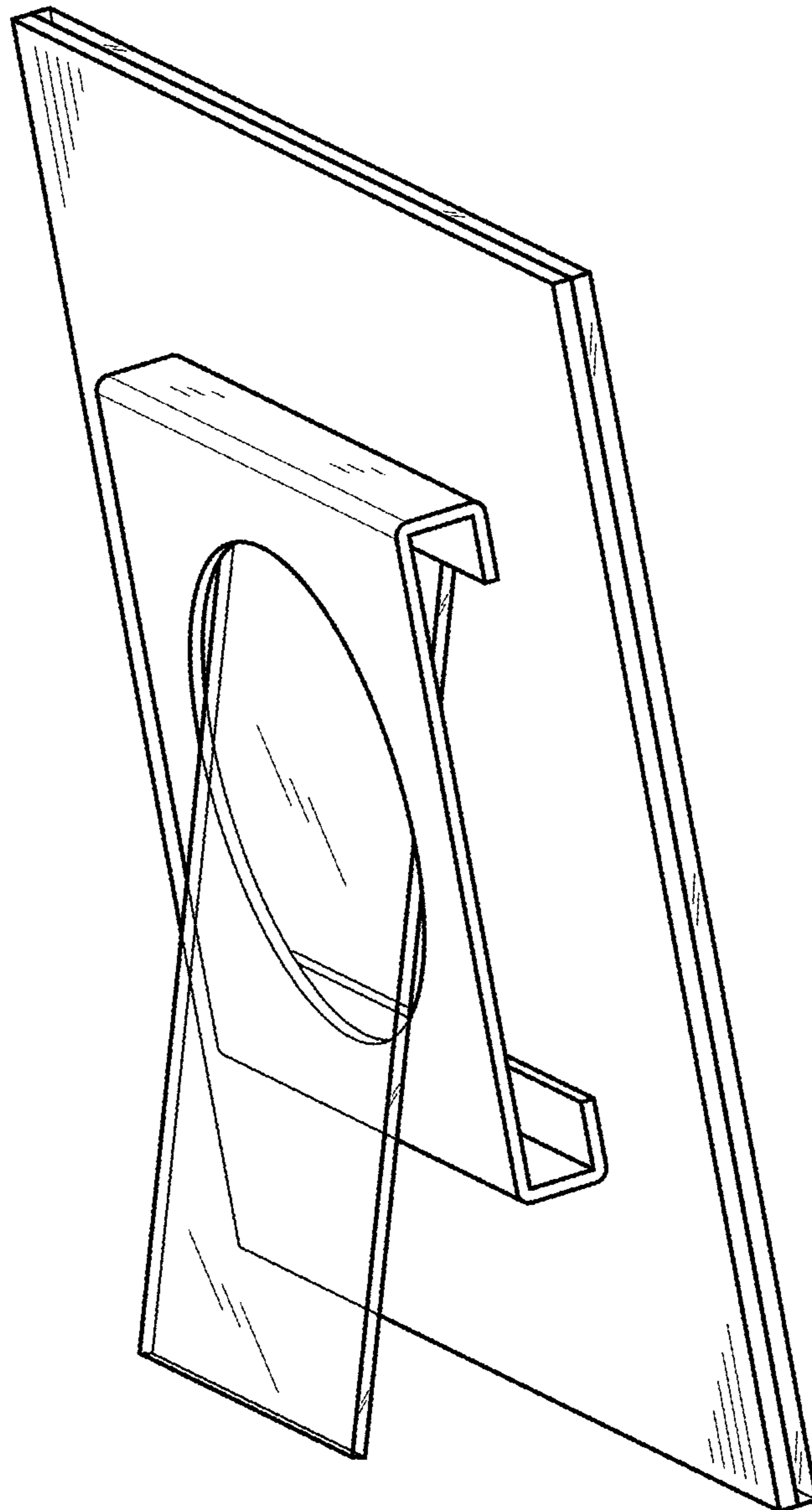


Fig.8

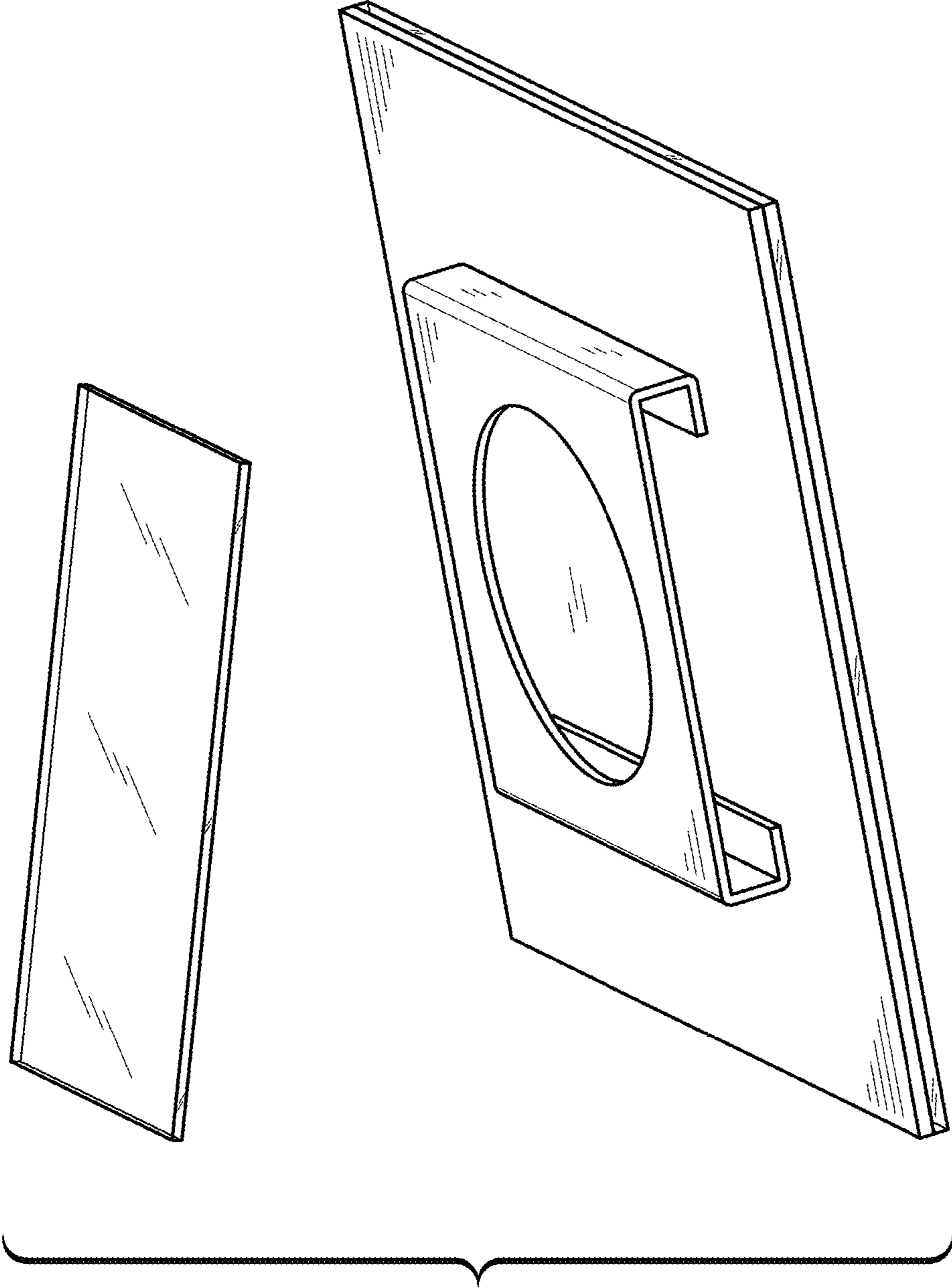


Fig.9