



US00D775469S

(12) **United States Design Patent** (10) **Patent No.:** **US D775,469 S**  
**Sikora et al.** (45) **Date of Patent:** **\*\* Jan. 3, 2017**

(54) **TOOTHBRUSH HEAD**

D688,045 S \* 8/2013 Key et al. .... D4/101  
D689,698 S \* 9/2013 Dickie et al. .... D4/101  
2002/0138926 A1\* 10/2002 Brown et al. .... 15/22.1

(71) Applicant: **Braun GmbH**, Kronberg (DE)

(72) Inventors: **Bernhard Sikora**, Kelkheim (DE);  
**Wolfgang Stegmann**, Frankfurt am  
Main (DE)

FOREIGN PATENT DOCUMENTS

JP 05137615 A \* 6/1993  
JP 1383483 S \* 3/2010

(73) Assignee: **BRAUN GMBH**, Cincinnati, OH (US)

(\*\*) Term: **14 Years**

OTHER PUBLICATIONS

WIPO DM/071932 Registered Design, (Procter & Gamble Co.)  
Oct. 31, 2009, [online], [retrieved on Jun. 14, 2015] Retrieved from  
the WIPO Global Design Database of the World Intellectual Prop-  
erty Organization using the Internet: <URL: <http://www.wipo.int>>.\*

(21) Appl. No.: **29/464,205**

(22) Filed: **Aug. 14, 2013**

(51) **LOC (10) Cl.** ..... **04-02**

(52) **U.S. Cl.**  
USPC ..... **D4/102**

(58) **Field of Classification Search**  
USPC ..... D4/101, 104-112, 127; 15/110, 167.1,  
15/167.2, 176.1; 601/139, 141, 142  
CPC ..... A46B 5/0095; A46B 7/00; A46B 7/04;  
A46B 7/042; A46B 9/00; A46B  
9/02; A46B 9/025; A46B 9/04; A46B  
9/045; A46B 2200/00; A46B  
2200/10; A46B 2200/1026; A46B  
2200/1066; A46B 2200/1073; A46B  
2200/1086; A61C 17/16; A61C  
17/20; A61C 17/22; A61C 17/24; A61C  
17/26; A61C 17/32; A61C 17/34; A61C  
17/3427; A61C 17/3436

See application file for complete search history.

\* cited by examiner

*Primary Examiner* — Susan E Krakower  
*Assistant Examiner* — Lisa A Grabenstetter

(56) **References Cited**

U.S. PATENT DOCUMENTS

6,349,442 B1 \* 2/2002 Cohen et al. .... 15/22.1  
D485,439 S \* 1/2004 Breit ..... D4/101  
D579,664 S \* 11/2008 Fisher et al. .... D4/101  
7,788,756 B2 \* 9/2010 Kraemer ..... 15/28  
8,458,841 B2 \* 6/2013 Haas et al. .... 15/29  
D687,636 S \* 8/2013 Driesen et al. .... D4/101

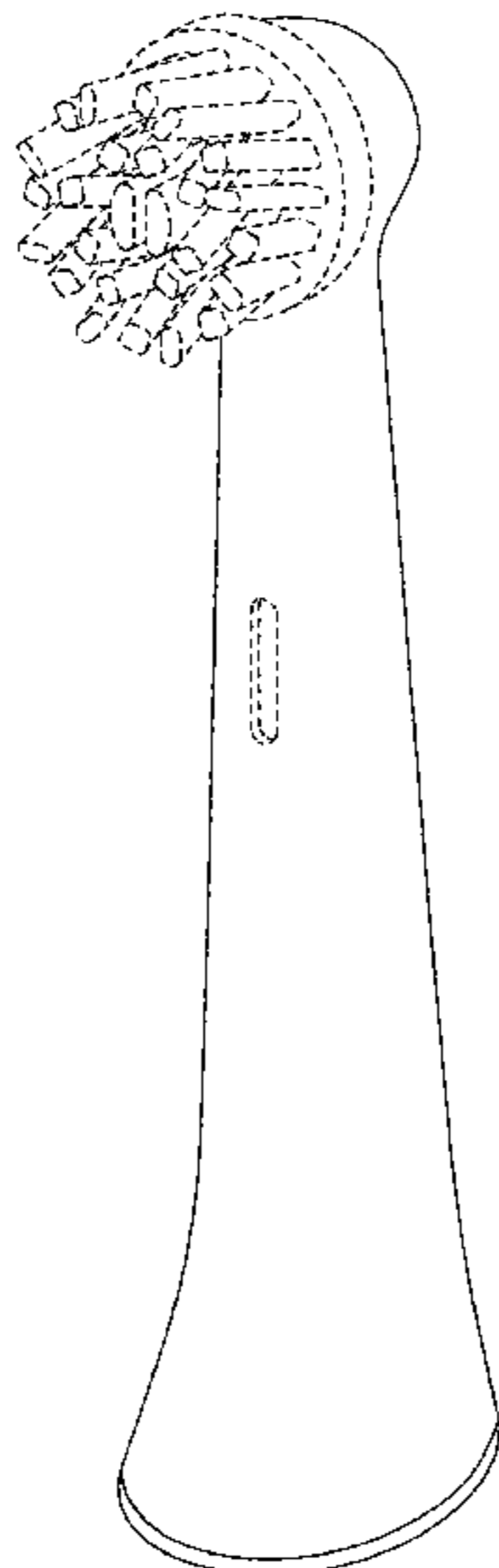
(57) **CLAIM**

The ornamental design for a toothbrush head, as shown and  
described.

**DESCRIPTION**

FIG. 1 is a perspective view of a toothbrush head showing  
our new design;  
FIG. 2 is a front view thereof;  
FIG. 3 is a right side view thereof;  
FIG. 4 is a rear view thereof;  
FIG. 5 is a left side view thereof;  
FIG. 6 is a top plan view thereof; and,  
FIG. 7 is a bottom view thereof.  
The broken lines showing bristles and other features, rep-  
resent portions of the toothbrush head which form no part of  
the claimed design.

**1 Claim, 7 Drawing Sheets**



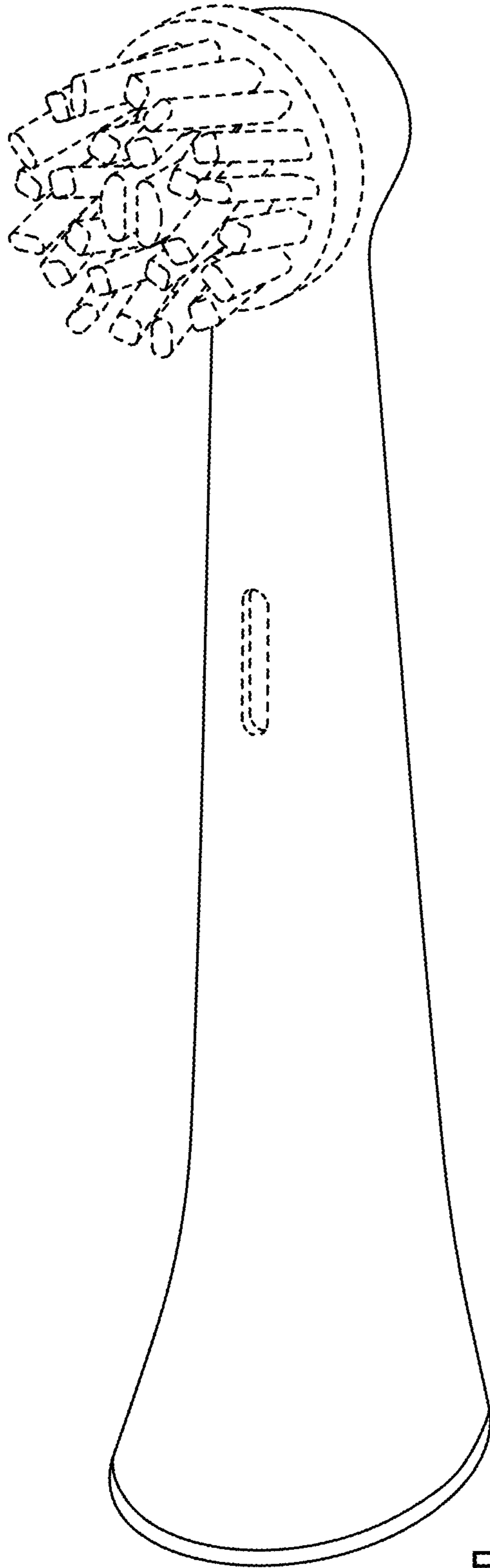


Fig. 1

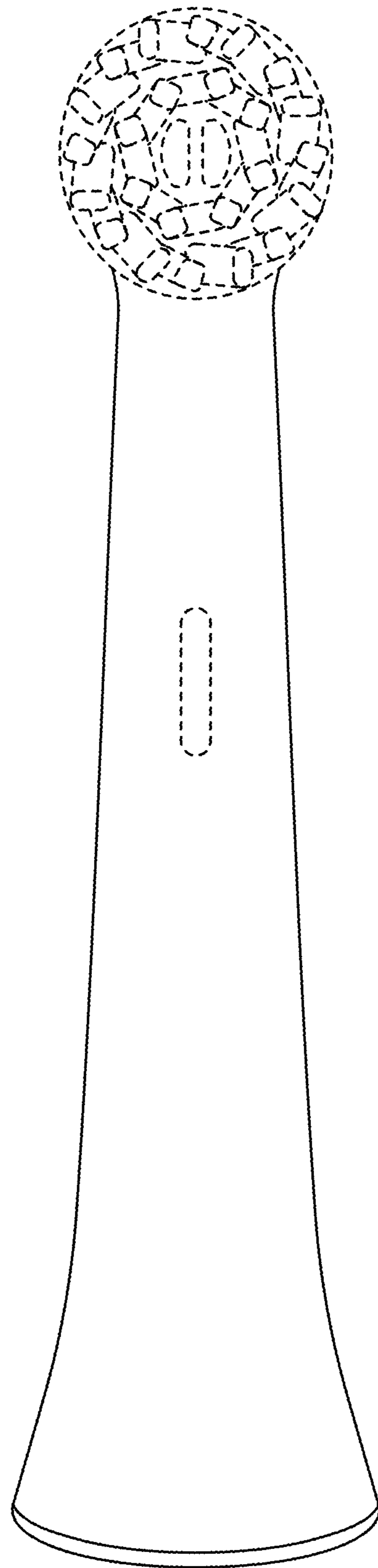


Fig. 2

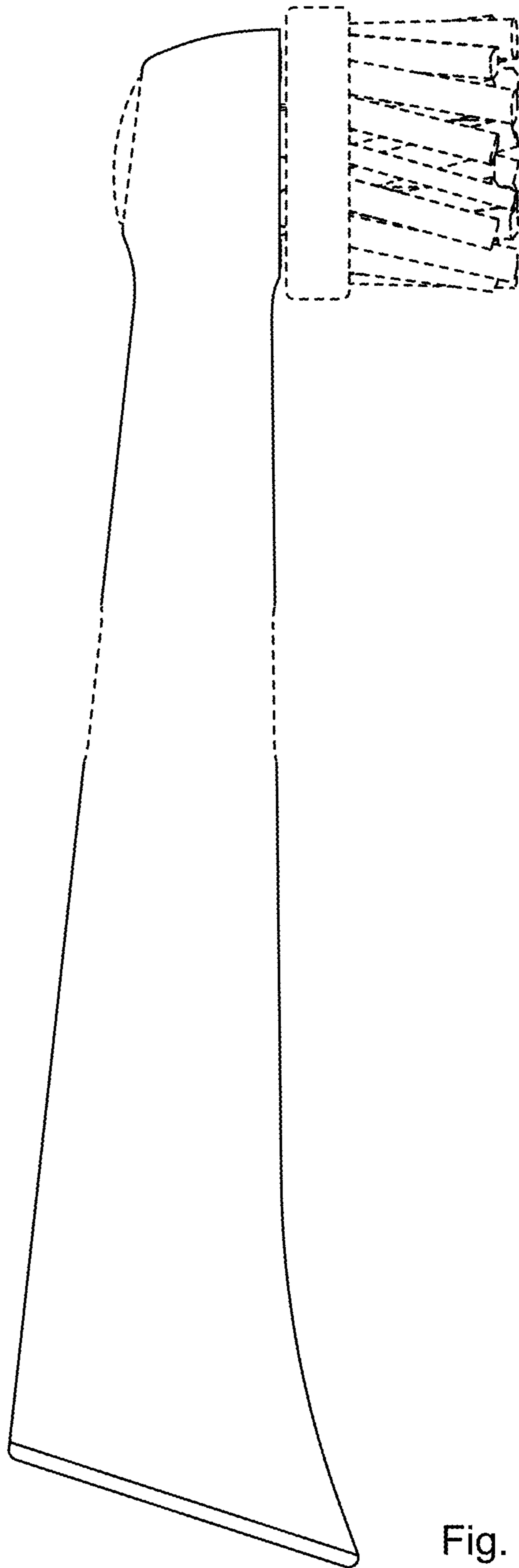


Fig. 3

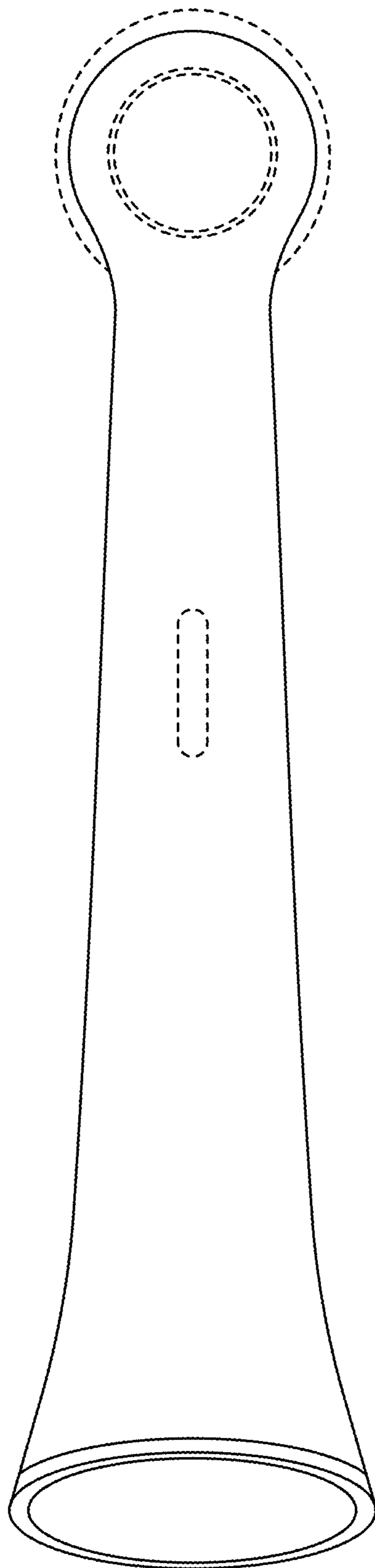


Fig. 4

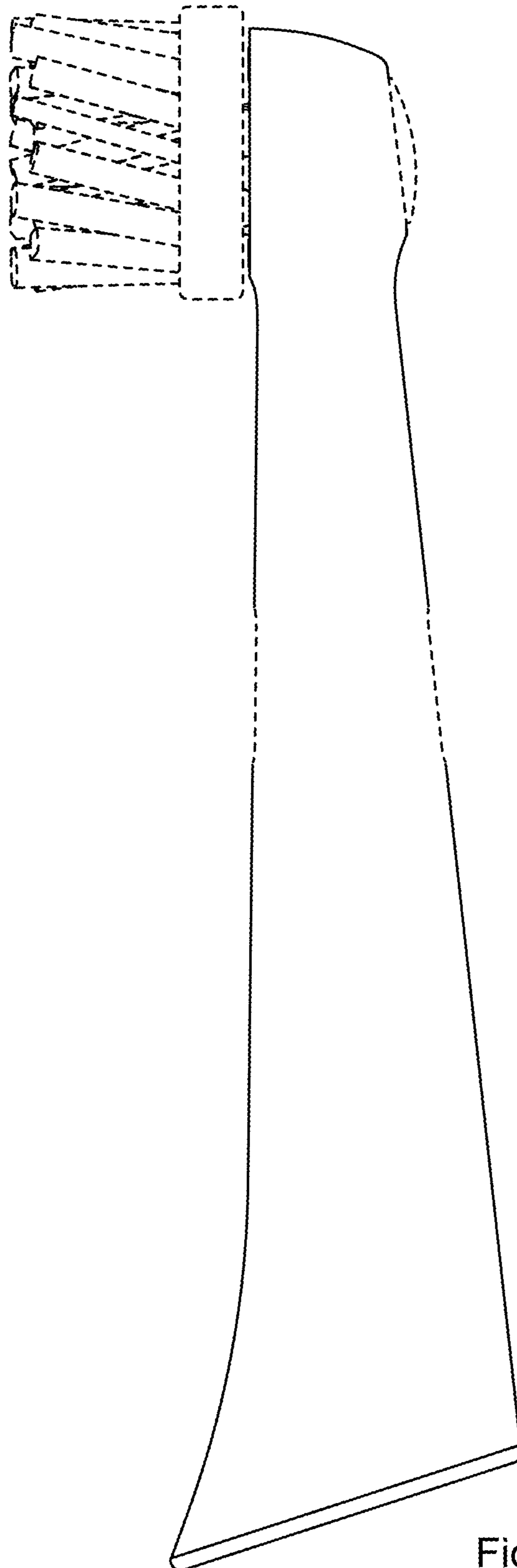


Fig. 5

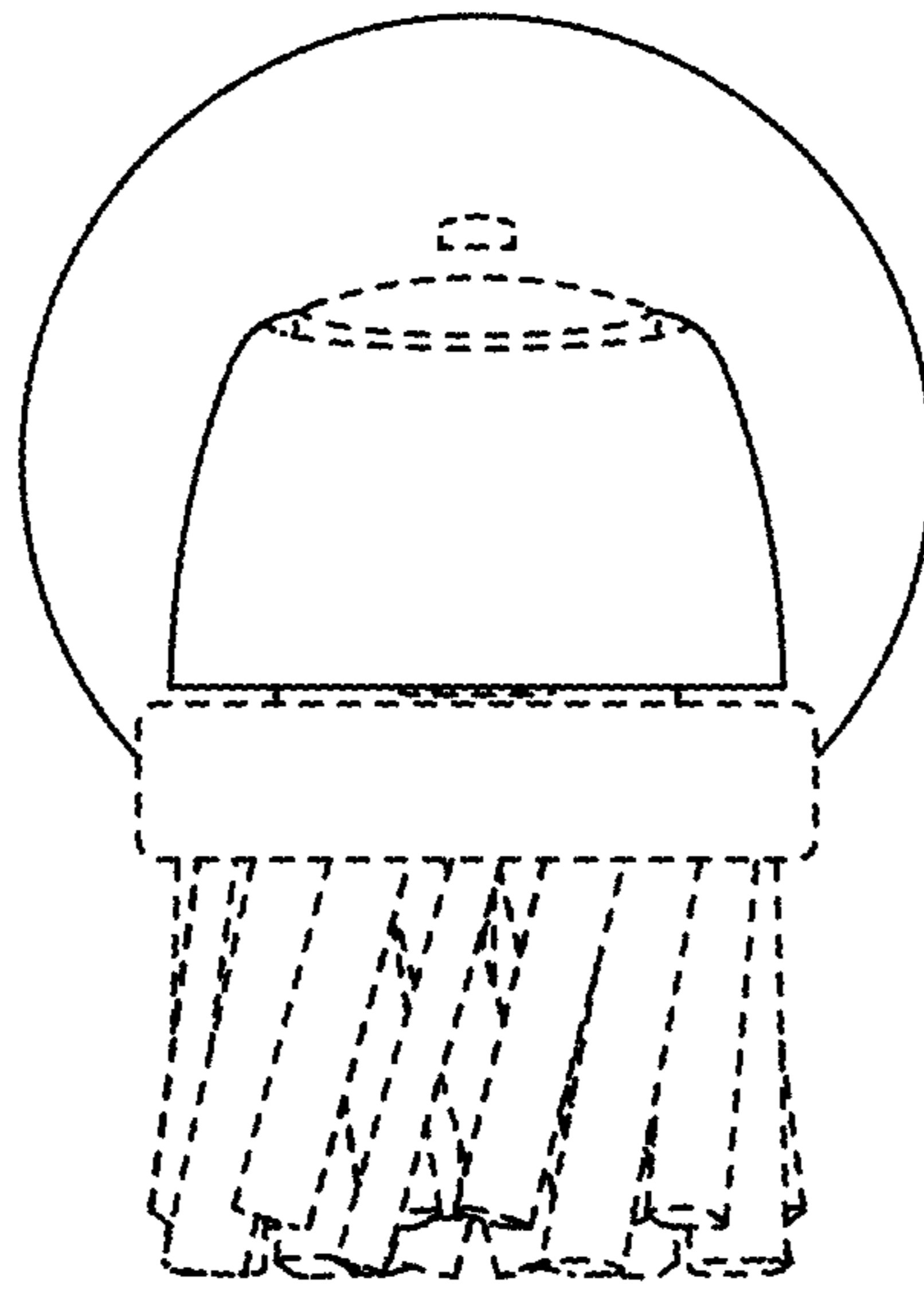


Fig. 6

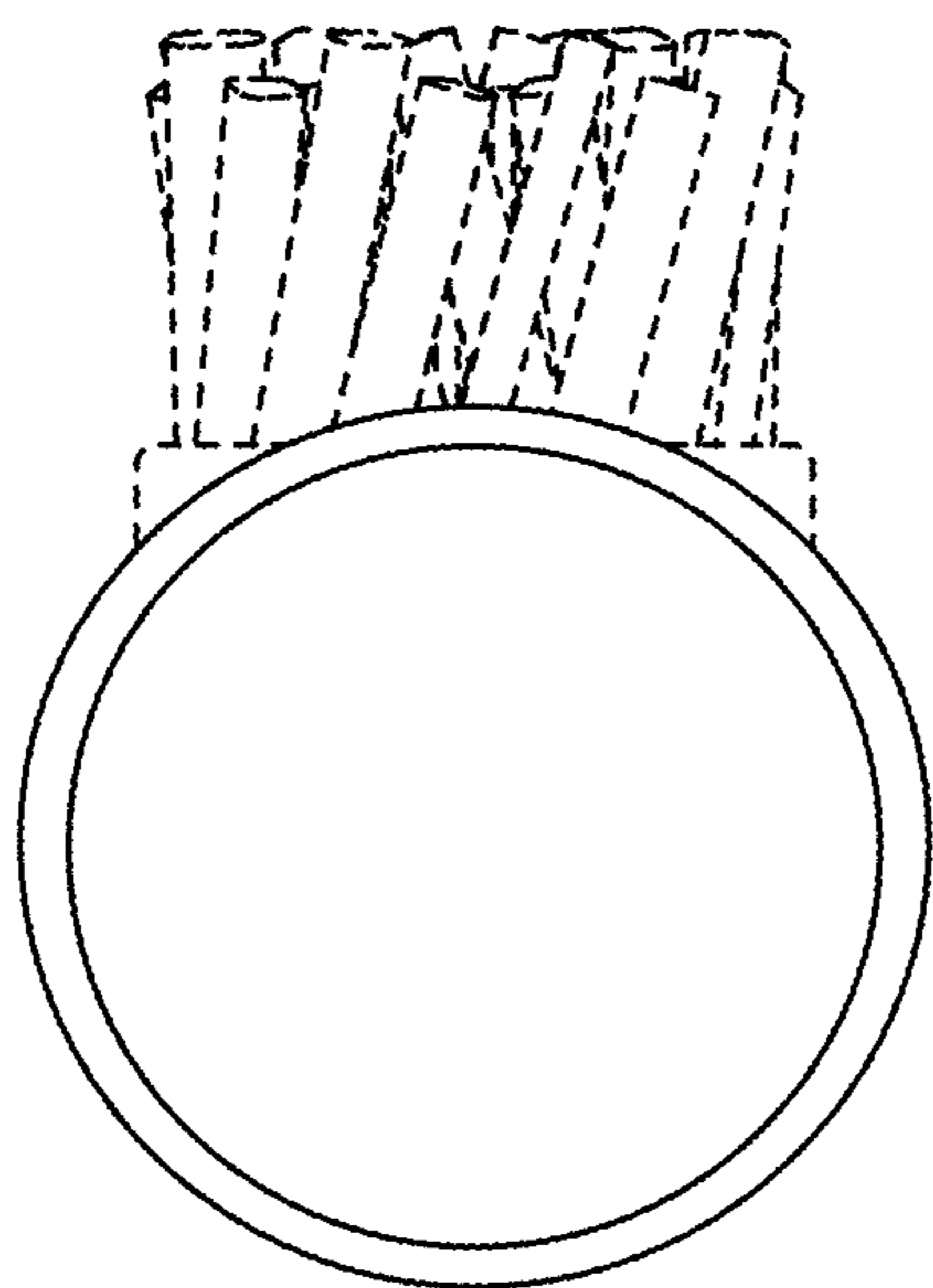


Fig. 7