



US00D775468S

(12) **United States Design Patent**
Szucs et al.

(10) **Patent No.:** **US D775,468 S**
(45) **Date of Patent:** **** Jan. 3, 2017**

- (54) **COLLAPSIBLE BAG**
- (71) Applicant: **Parallax Group International, LLC**,
San Juan Capistrano, CA (US)
- (72) Inventors: **Peter Szucs**, Burbank, CA (US); **Bruce A. Thrush**, San Juan Capistrano, CA (US)
- (73) Assignee: **PARALLAX GROUP INTERNATIONAL, LLC**, San Juan Capistrano, CA (US)
- (**) Term: **15 Years**
- (21) Appl. No.: **29/526,900**
- (22) Filed: **May 13, 2015**
- (51) **LOC (10) Cl.** **03-01**
- (52) **U.S. Cl.**
USPC **D3/318**
- (58) **Field of Classification Search**
USPC D3/232-233, 240-243, 245-246, 318
CPC A45C 3/04; A45C 3/08; A45C 1/024;
B65D 25/14; B65D 25/16; B65D 7/045
See application file for complete search history.

- D447,632 S 9/2001 Gisser
- D448,169 S * 9/2001 Rine D3/318
- 7,150,345 B2 12/2006 Redzisz
- D630,013 S 1/2011 Yu
- D648,533 S 11/2011 Sosnovsky

(Continued)

Primary Examiner — Holly Baynham
(74) *Attorney, Agent, or Firm* — Fish & Tsang LLP

(57) **CLAIM**

We claim the ornamental design for a collapsible bag, as shown and described.

DESCRIPTION

FIG. 1 is a top, front, left side perspective view of a collapsible bag. The broken lines depicting an outline of a hook represent environmental matter and form no part of the claimed design. Additionally, the uniformly short dashed lines depicting a lower portion of the bag form no part of the claimed design.

FIG. 2 is a front elevation view of a collapsible bag, the rear elevation view being a mirror image. The uniformly short dashed lines depicting a lower portion of the bag form no part of the claimed design.

FIG. 3 is a left side elevation view of a collapsible bag, the right side elevation view being a mirror image. The uniformly short dashed lines depicting a lower portion of the bag form no part of the claimed design.

FIG. 4 is a top plan view. The uniformly short dashed lines depicting a lower surface of the bag form no part of the claimed design; and,

FIG. 5 is a bottom plan view of a collapsible bag. The uniformly short dashed lines depicting a lower surface of the bag form no part of the claimed design.

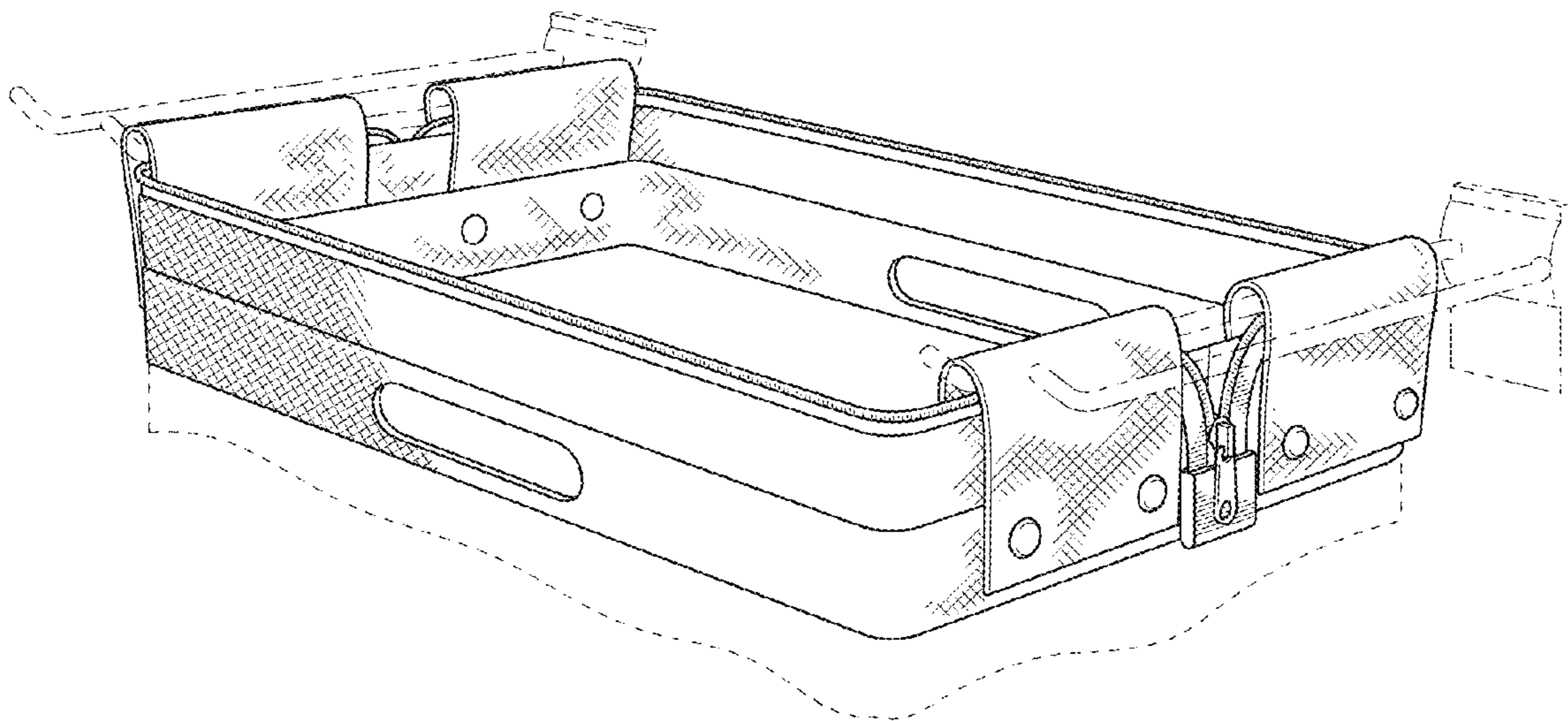
The dominant features of my design reside in handles, a bottom portion, and a hinge to be used in combination with a collapsible bag.

1 Claim, 4 Drawing Sheets

(56) **References Cited**

U.S. PATENT DOCUMENTS

- 2,561,143 A * 7/1951 Schmitz B65D 21/062
206/506
- D264,772 S * 6/1982 Motsko D3/244
- D334,839 S 4/1993 Dancyger
- 5,310,077 A * 5/1994 McDermott B65D 25/16
217/3 R
- 5,873,504 A 2/1999 Farmer
- 5,941,408 A * 8/1999 Sherman A45C 3/04
220/495.01
- 6,126,003 A 10/2000 Brouard
- D445,254 S * 7/2001 Jasper D3/318
- D445,255 S * 7/2001 Rine D3/318



(56)

References Cited

U.S. PATENT DOCUMENTS

D670,500 S	11/2012	Sosnovsky
D703,438 S	4/2014	Lee
D717,040 S	11/2014	Swartzel et al.
D739,654 S	9/2015	Brouard

* cited by examiner

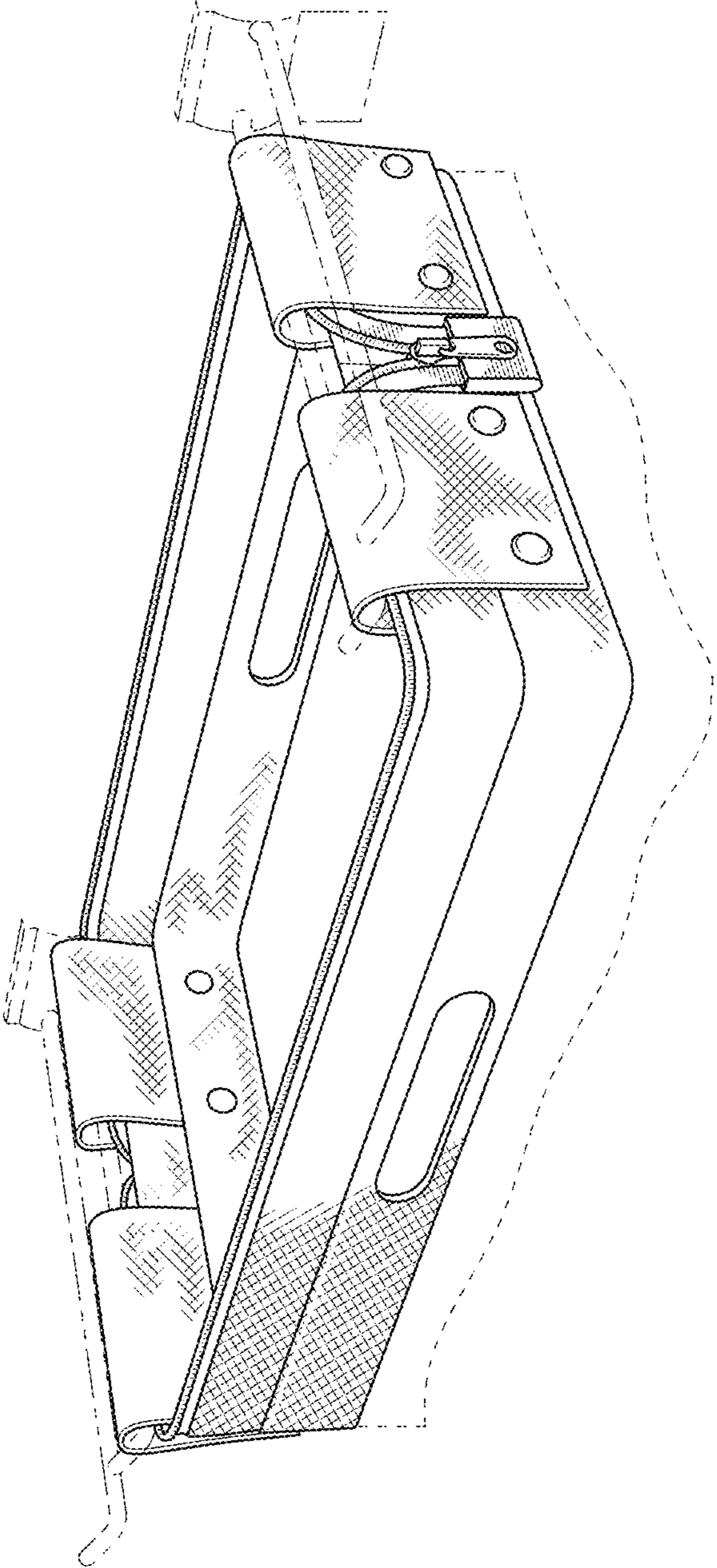


FIG. 1

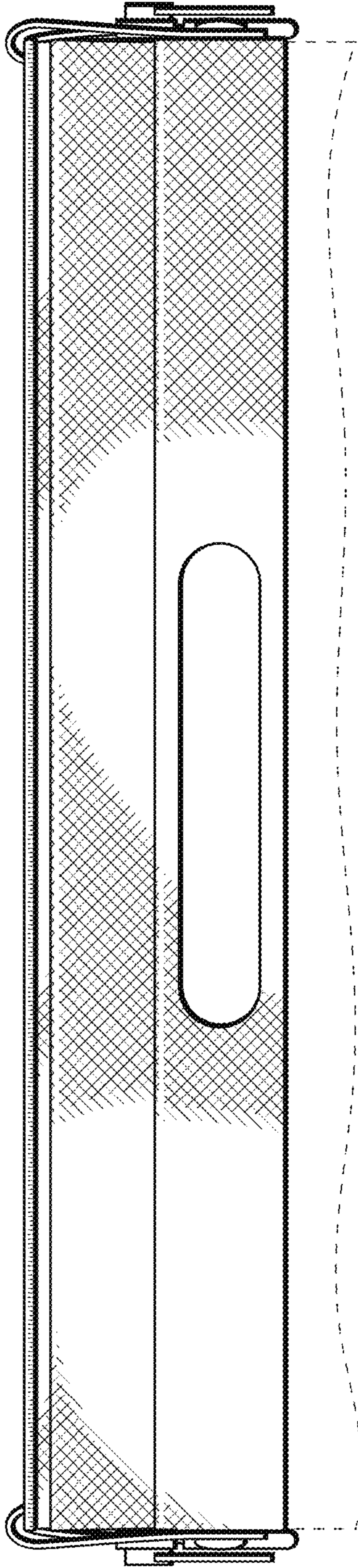
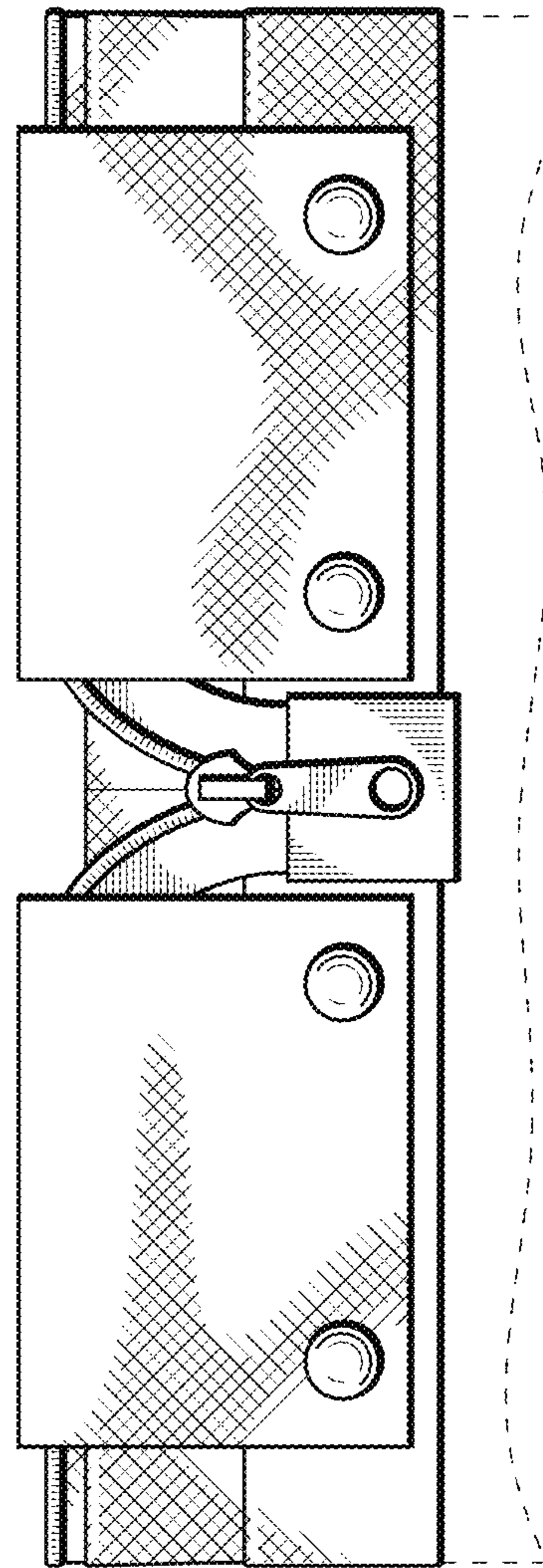


FIG. 2

FIG. 3



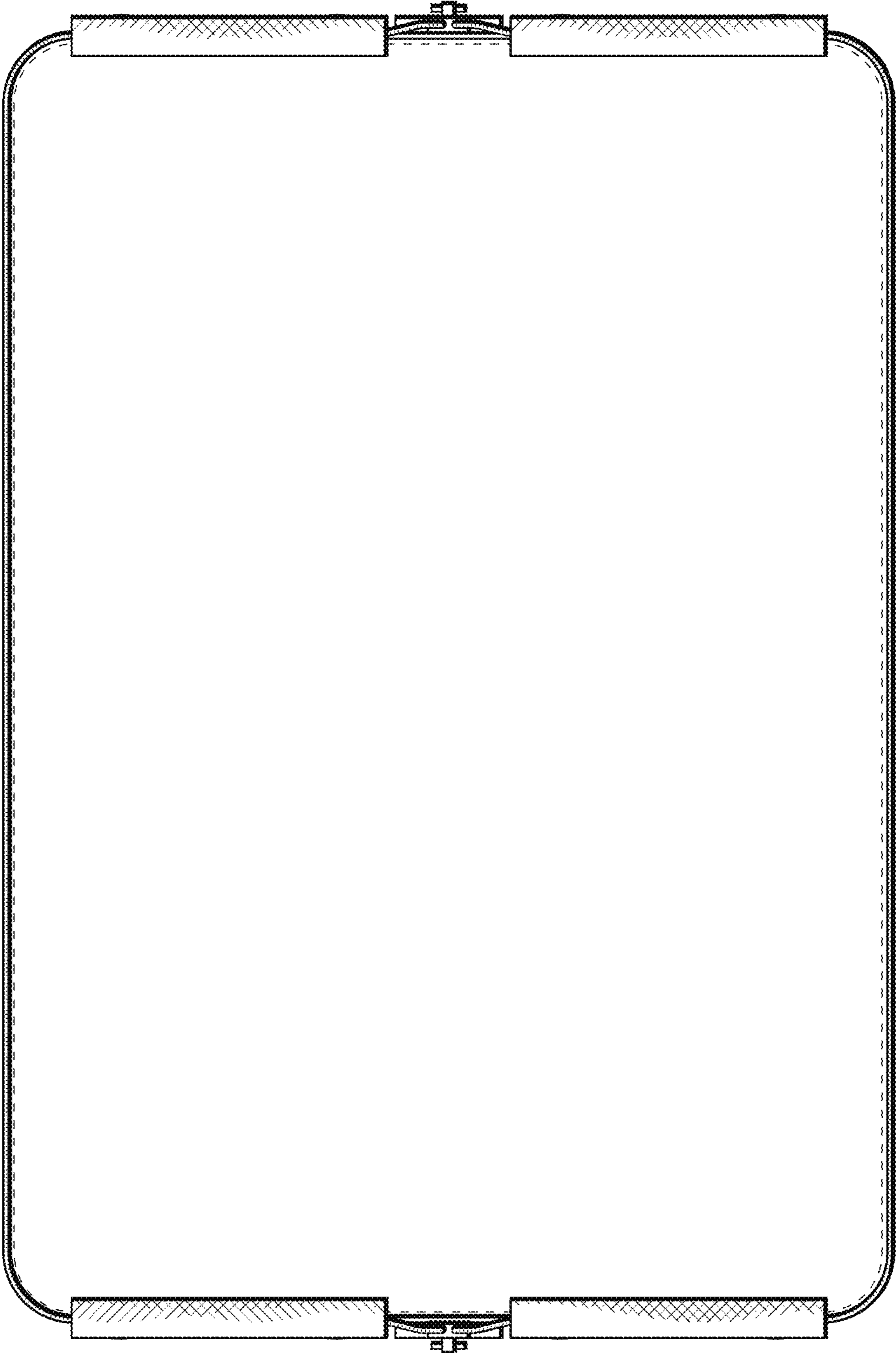


FIG. 4

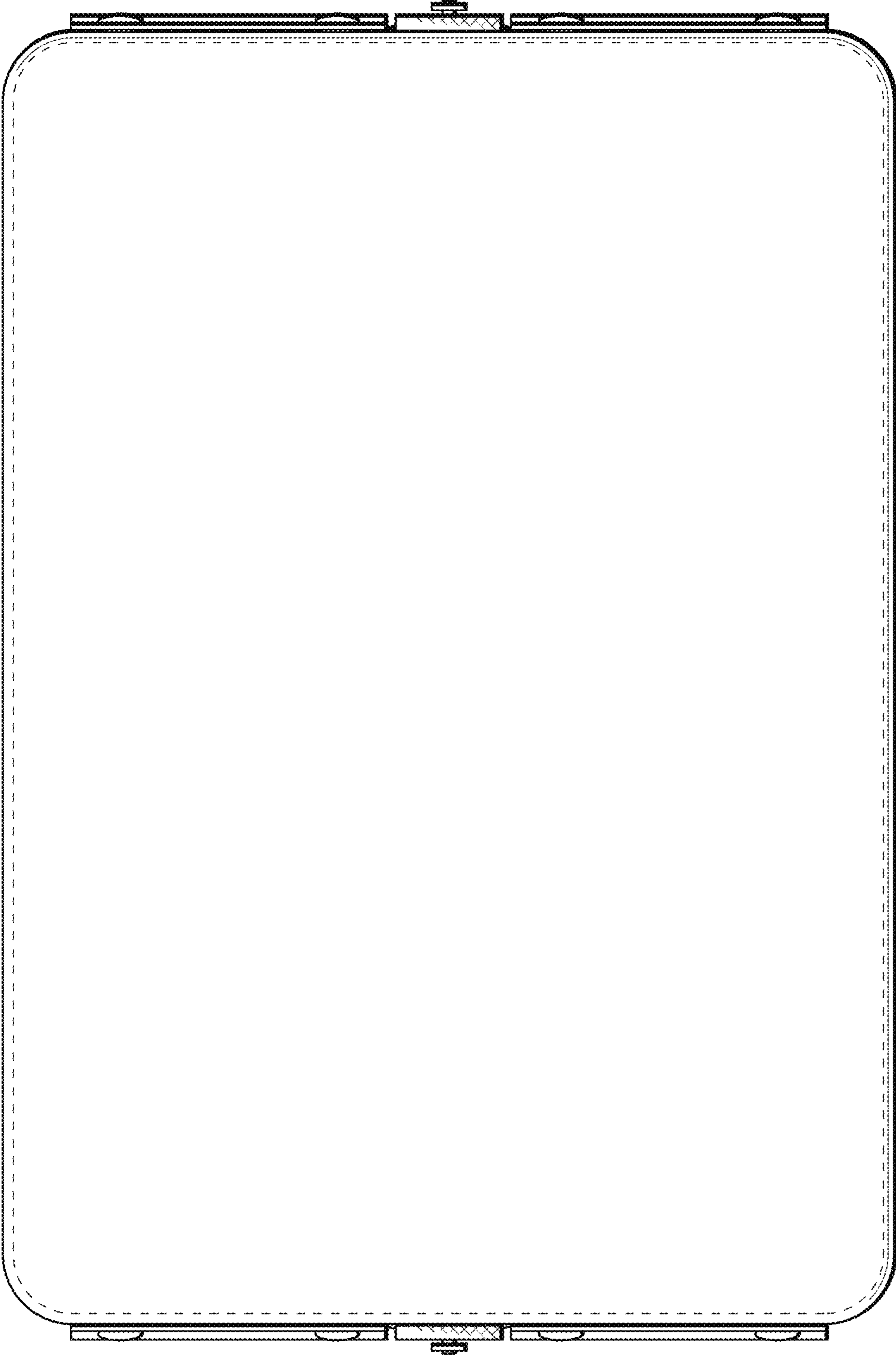


FIG. 5