



US00D775463S

(12) **United States Design Patent**
Shieh

(10) **Patent No.:** **US D775,463 S**

(45) **Date of Patent:** ** ***Jan. 3, 2017**

(54) **TOOL BOX**

(71) Applicant: **Wang-Ta Shieh**, Kaohsiung (TW)

(72) Inventor: **Wang-Ta Shieh**, Kaohsiung (TW)

(*) Notice: This patent is subject to a terminal disclaimer.

(**) Term: **14 Years**

(21) Appl. No.: **29/479,325**

(22) Filed: **Jan. 14, 2014**

(51) **LOC (10) Cl.** **03-01**

(52) **U.S. Cl.**
USPC **D3/215; D3/294; D3/905**

(58) **Field of Classification Search**
USPC D3/905, 276, 279–284, 291, 294, 295,
D3/298, 901, 302, 272, 273, 274, 903,
D3/293, 215; 206/372–379; 220/523–528
CPC .. B25H 3/02–3/028; B25H 3/00; B25H 3/003;
B25H 3/006
See application file for complete search history.

(56) **References Cited**

U.S. PATENT DOCUMENTS

D409,374 S * 5/1999 Laba et al. D3/215
D434,217 S * 11/2000 Packard et al. D3/215
D451,195 S * 11/2001 Daniels et al. D24/131

D503,037 S * 3/2005 Terronez et al. D3/215
D505,068 S * 5/2005 Cunningham et al. D9/415
D560,489 S * 1/2008 Satnick D9/415
7,770,727 B2 * 8/2010 Meng 206/373
D668,875 S * 10/2012 Meng D3/294
D677,462 S * 3/2013 Hsu D3/228
D695,515 S * 12/2013 Tivoly D3/228
2004/0217032 A1 * 11/2004 Cunningham et al. 206/461
2005/0199522 A1 * 9/2005 Hu 206/373

* cited by examiner

Primary Examiner — Jennifer Rivard

Assistant Examiner — April Rivas

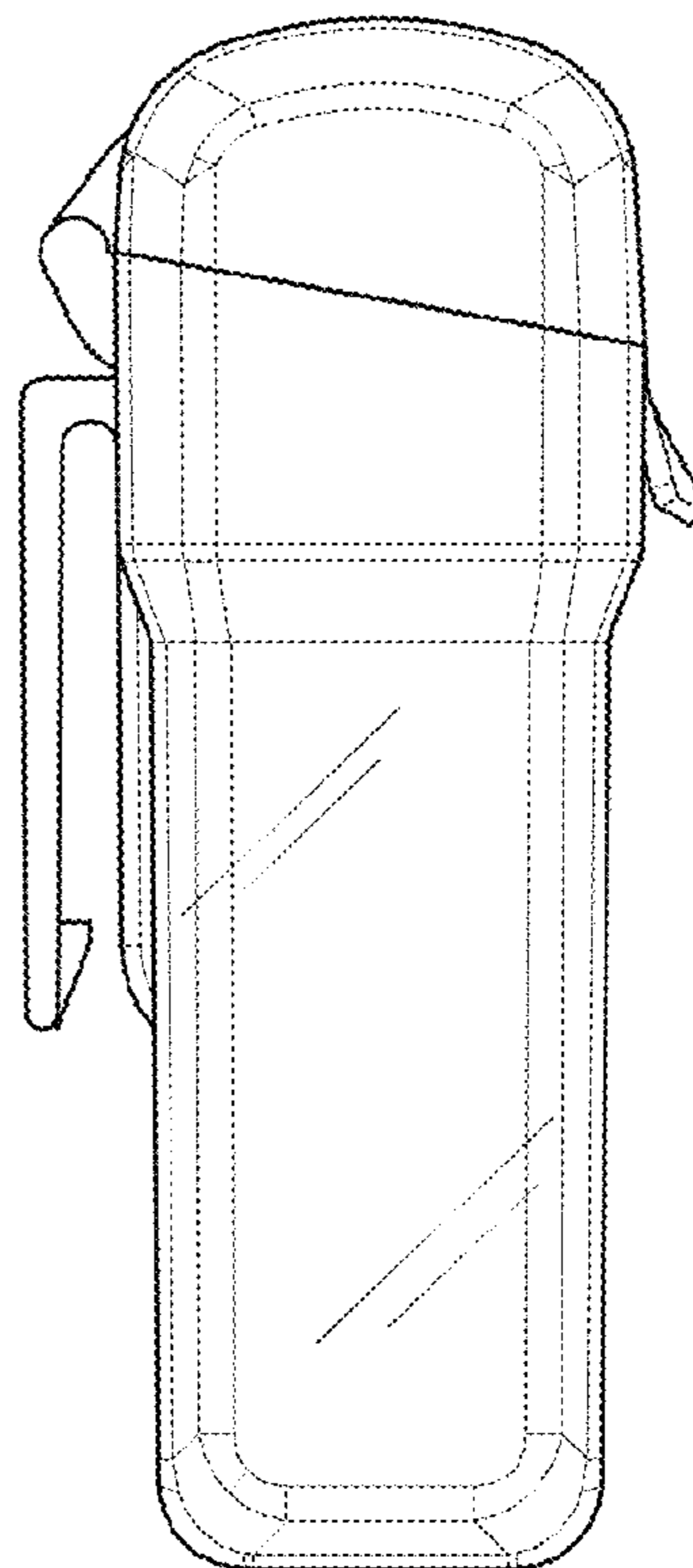
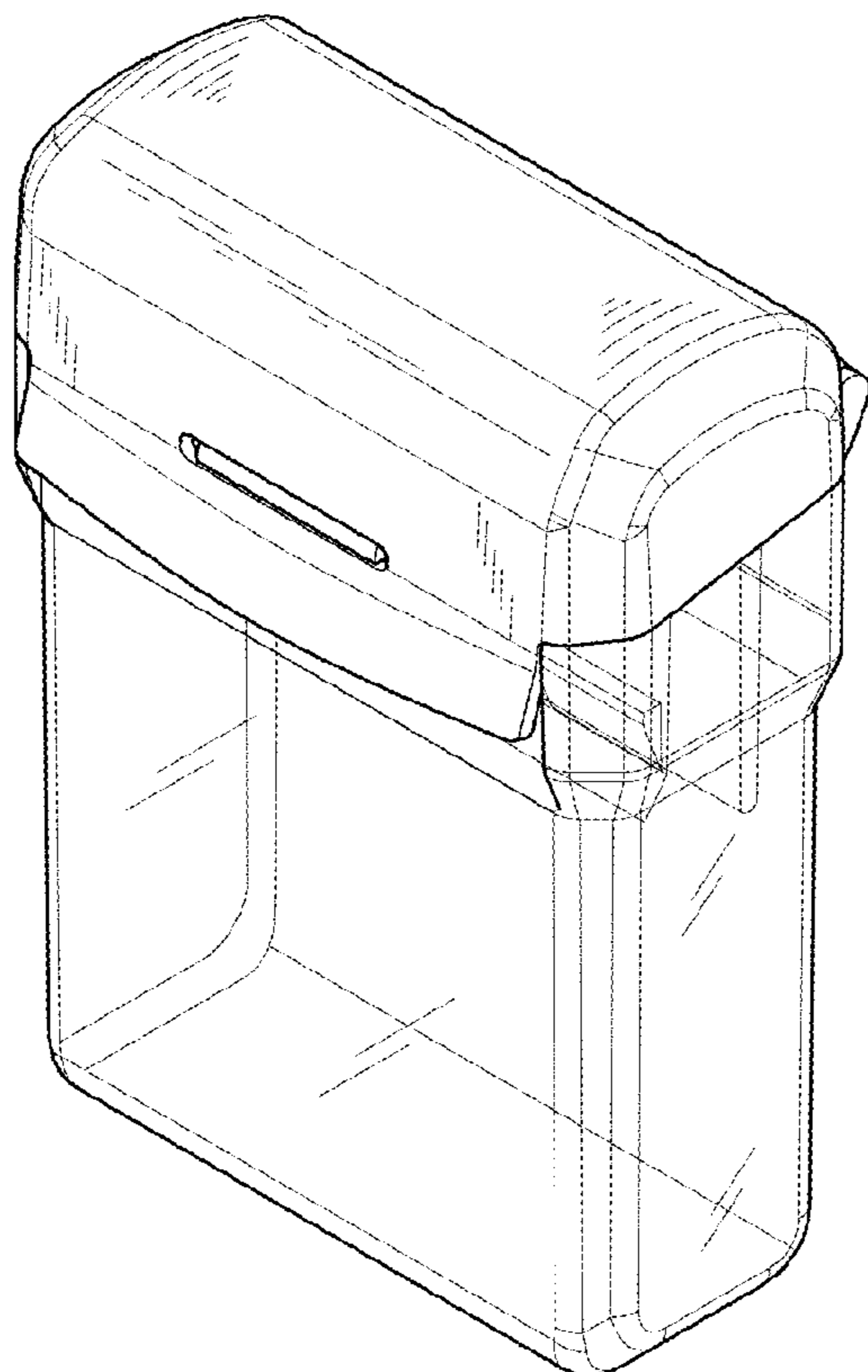
(57) **CLAIM**

The ornamental design for a tool box, as shown and described.

DESCRIPTION

FIG. 1 is a front perspective view of a tool box showing my new design;
FIG. 2 is a back perspective view of a tool box showing my new design;
FIG. 3 is a top view thereof;
FIG. 4 is a front side view thereof;
FIG. 5 is a rear side view thereof;
FIG. 6 is a bottom plan view thereof;
FIG. 7 is a left side view thereof;
FIG. 8 is a right side view thereof; and,
FIG. 9 is a perspective view of the opened tool box thereof.

1 Claim, 6 Drawing Sheets



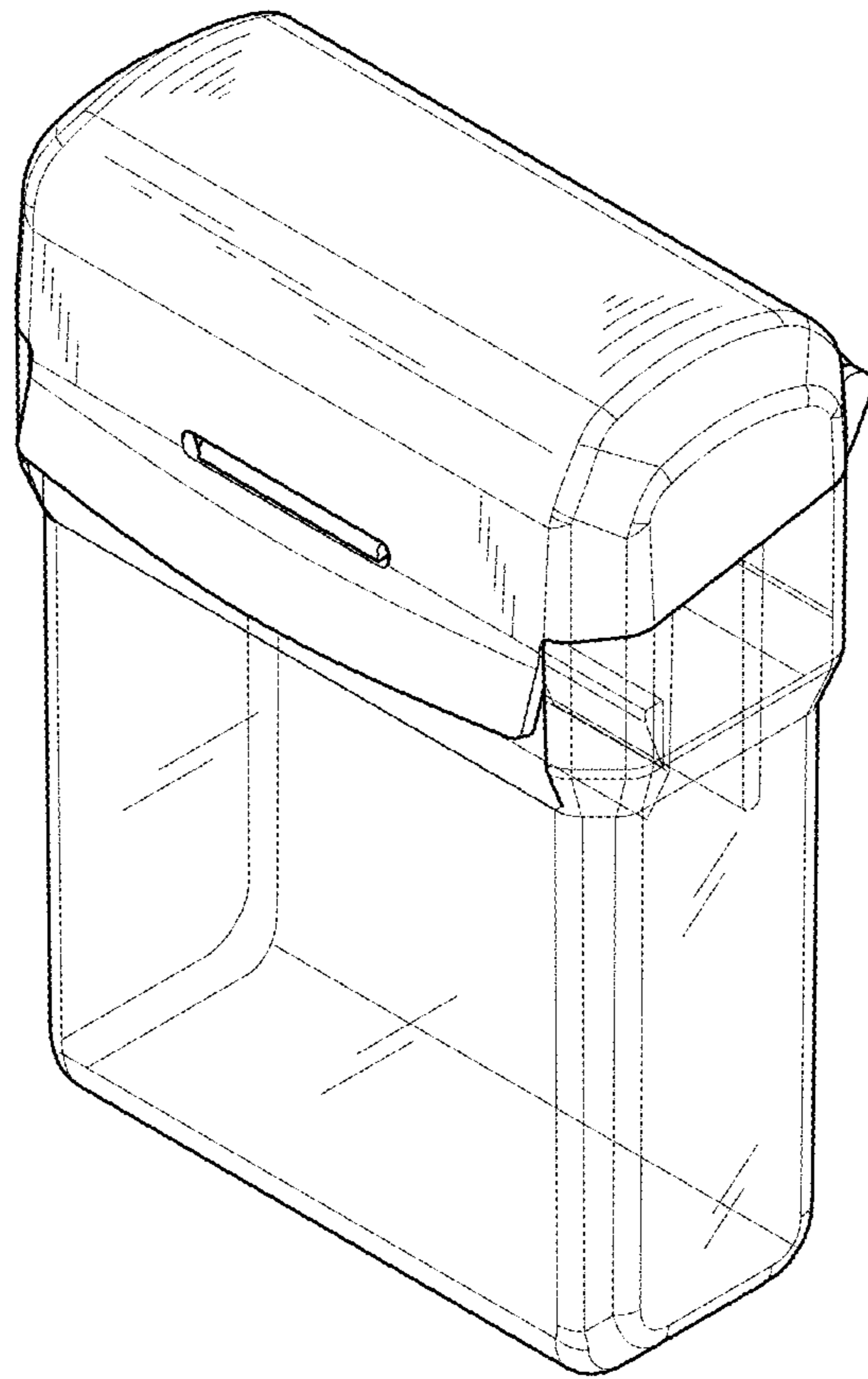


Fig. 1

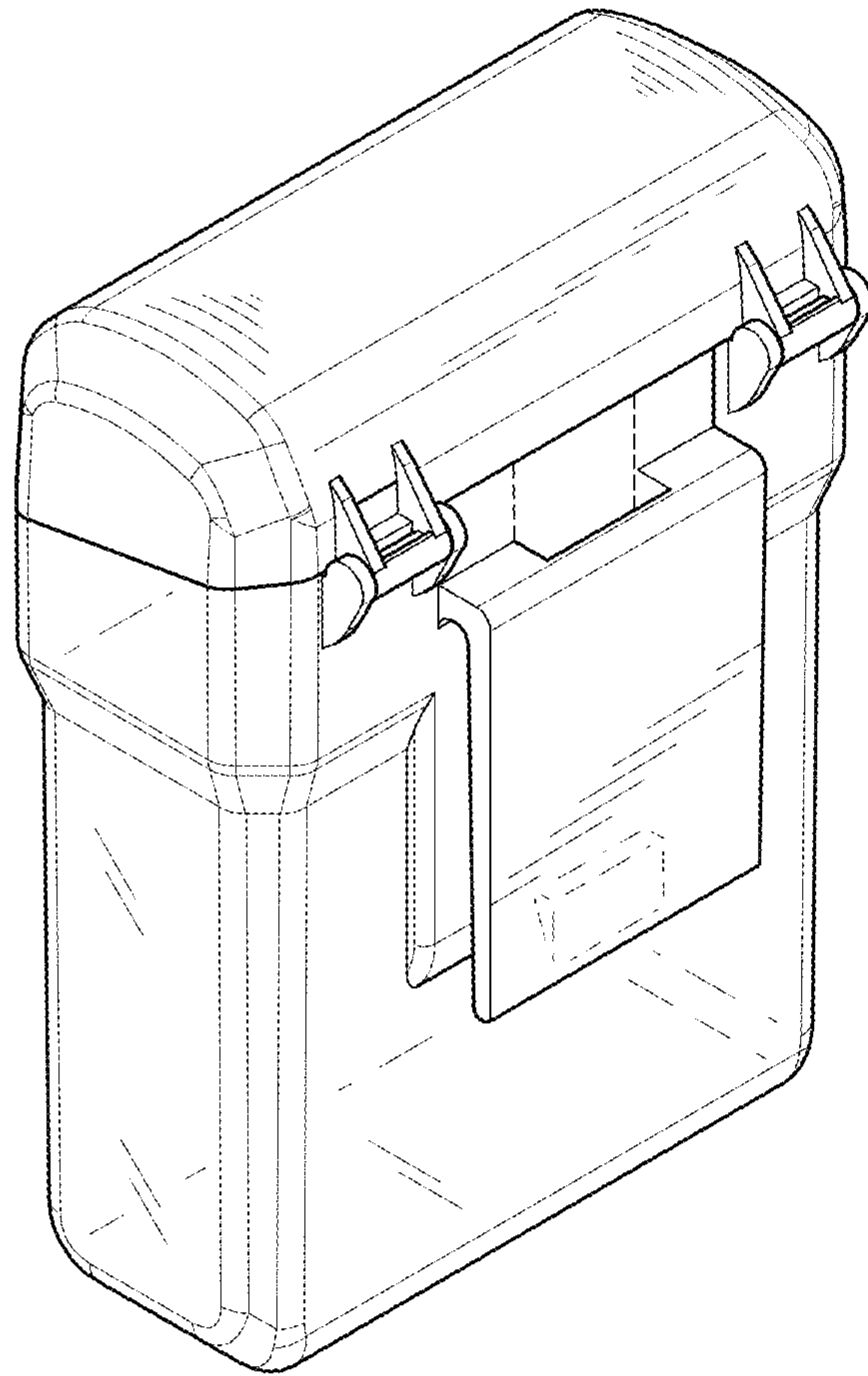


Fig. 2

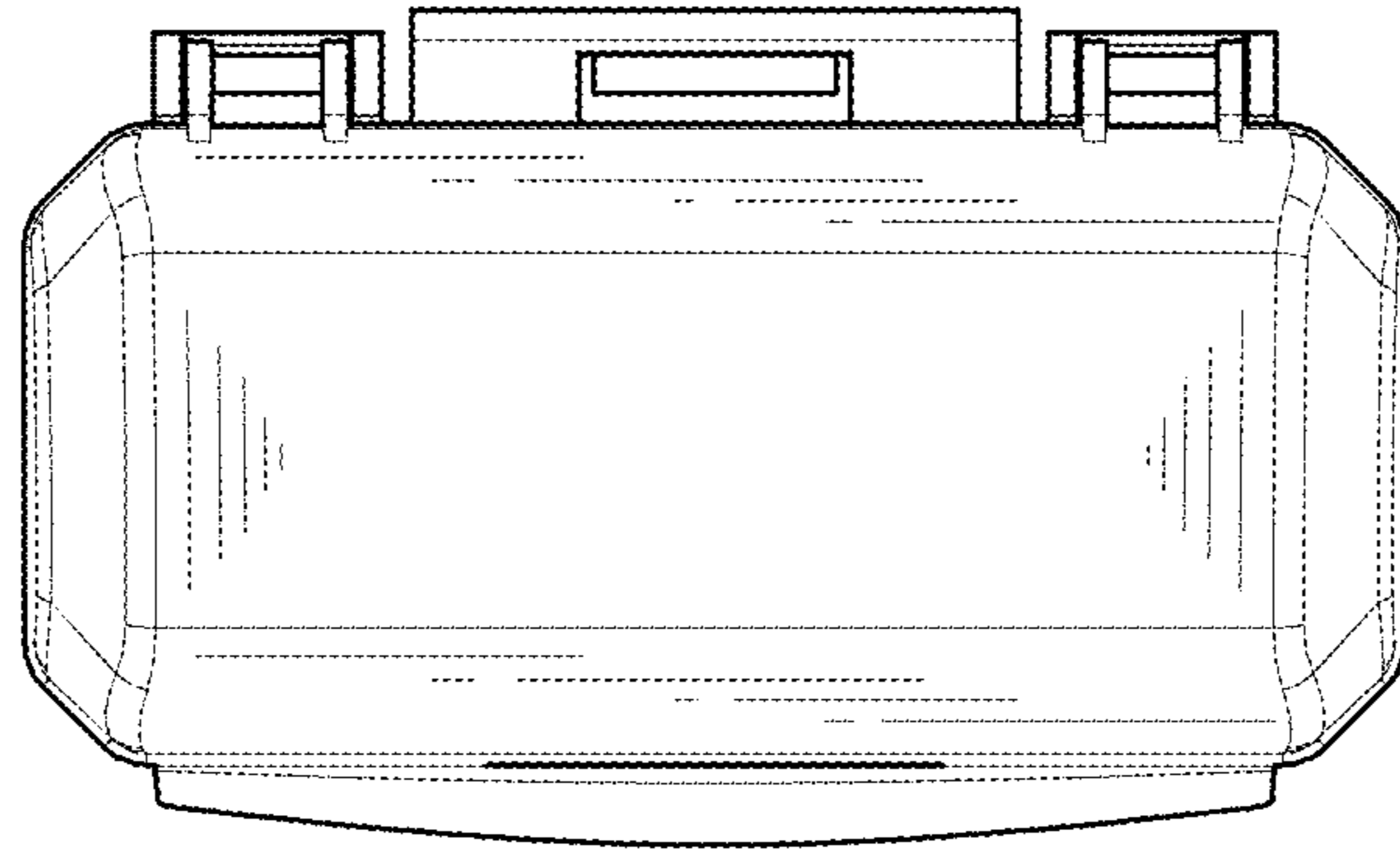


Fig. 3

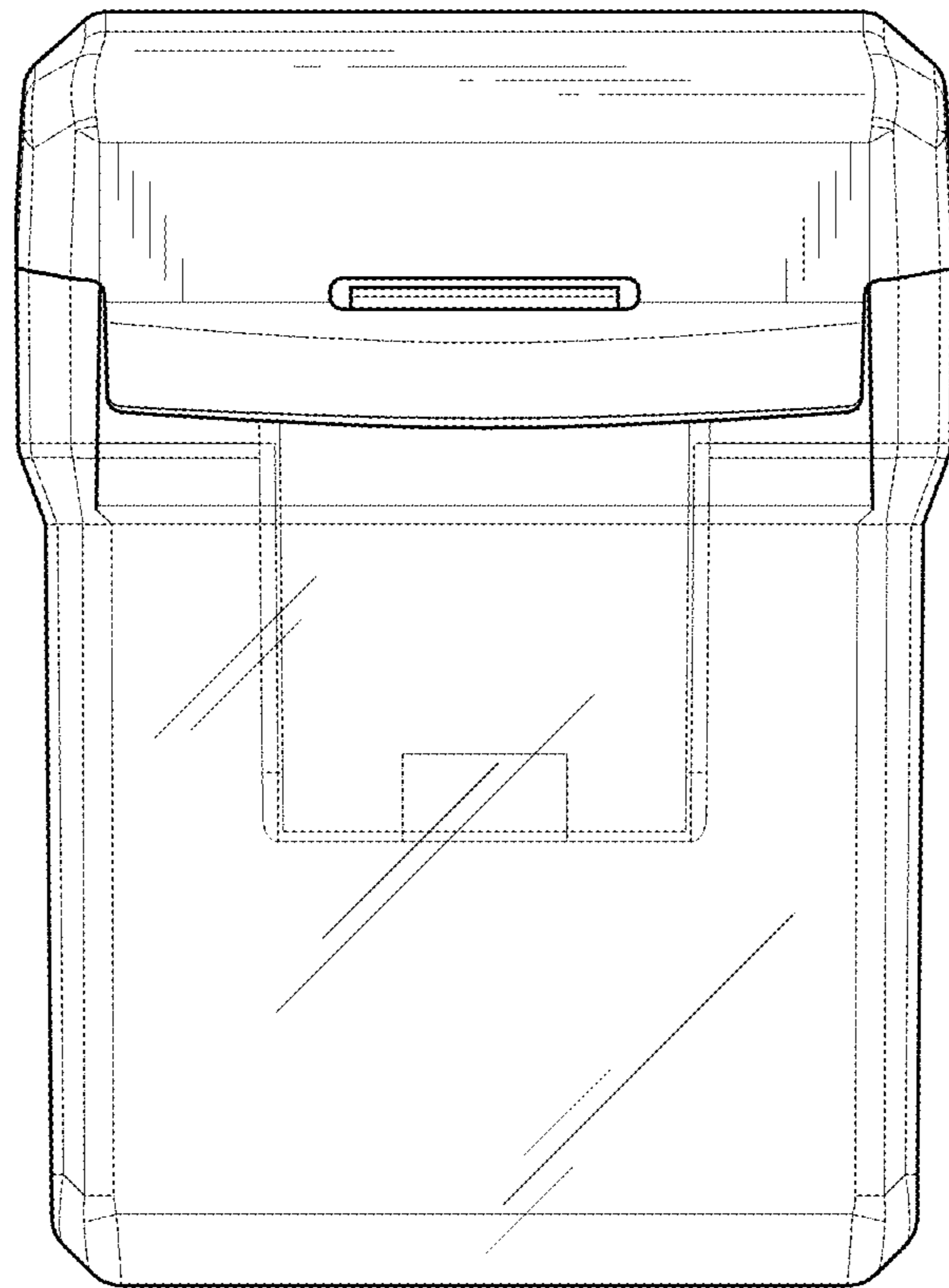


Fig. 4

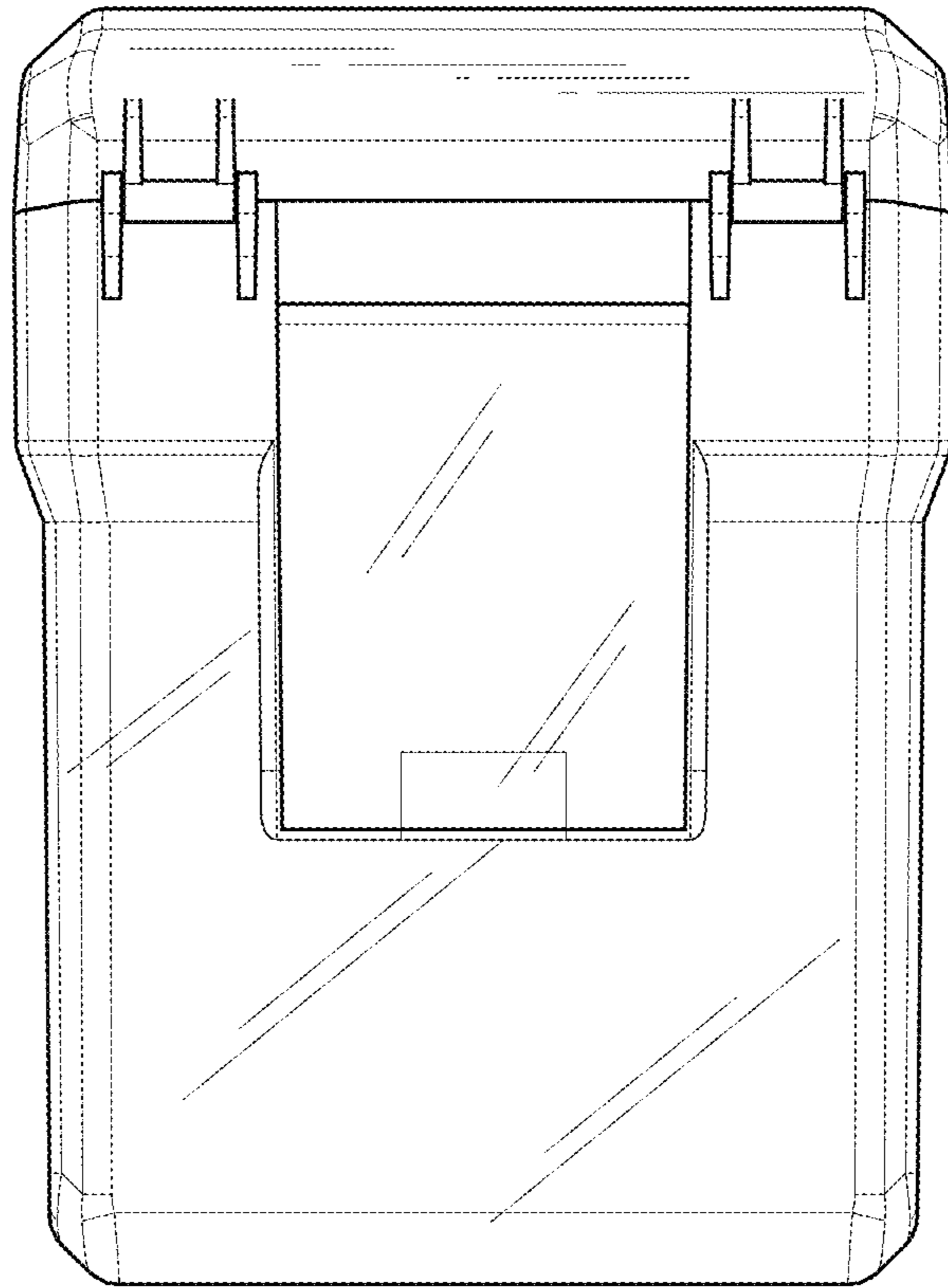


Fig. 5

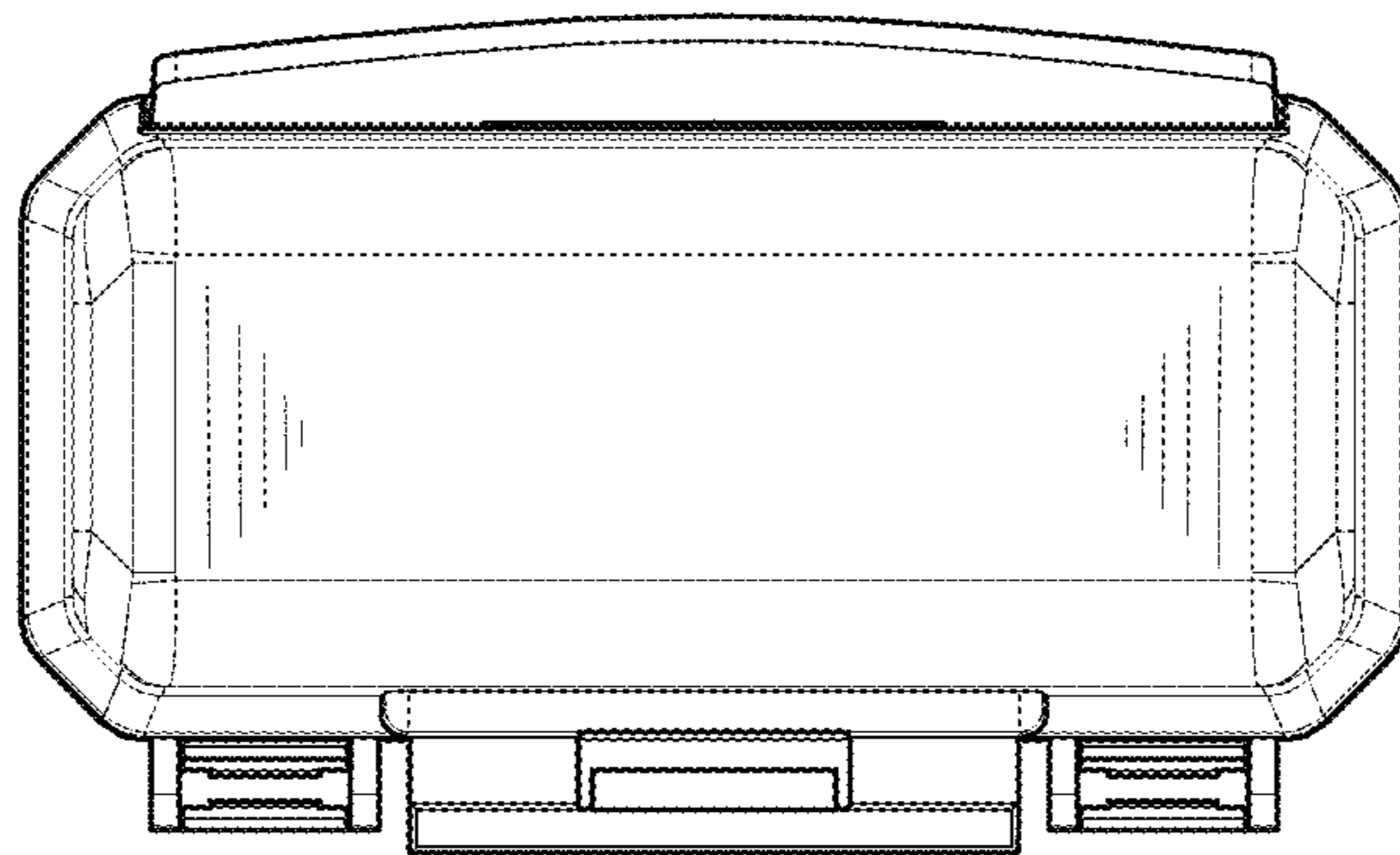


Fig. 6

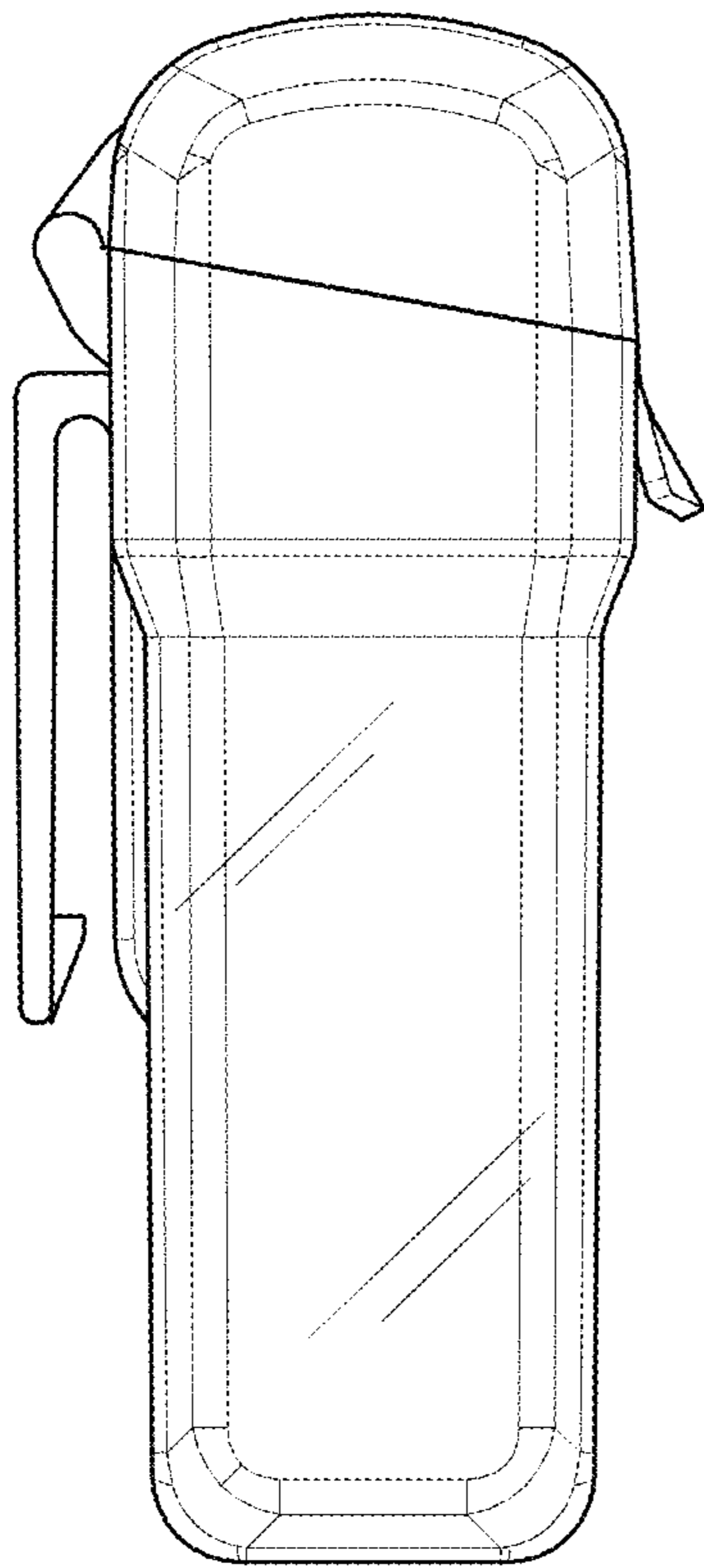


Fig. 7

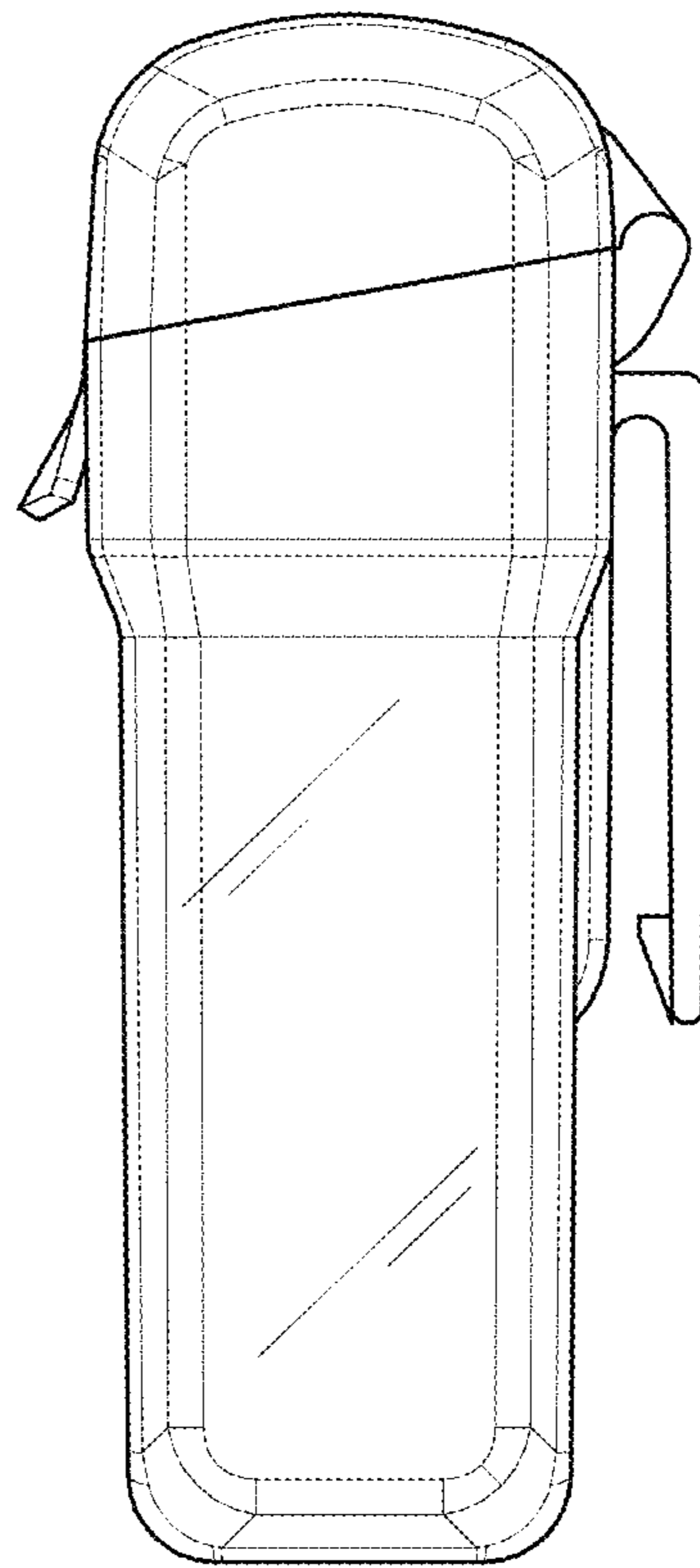


Fig. 8

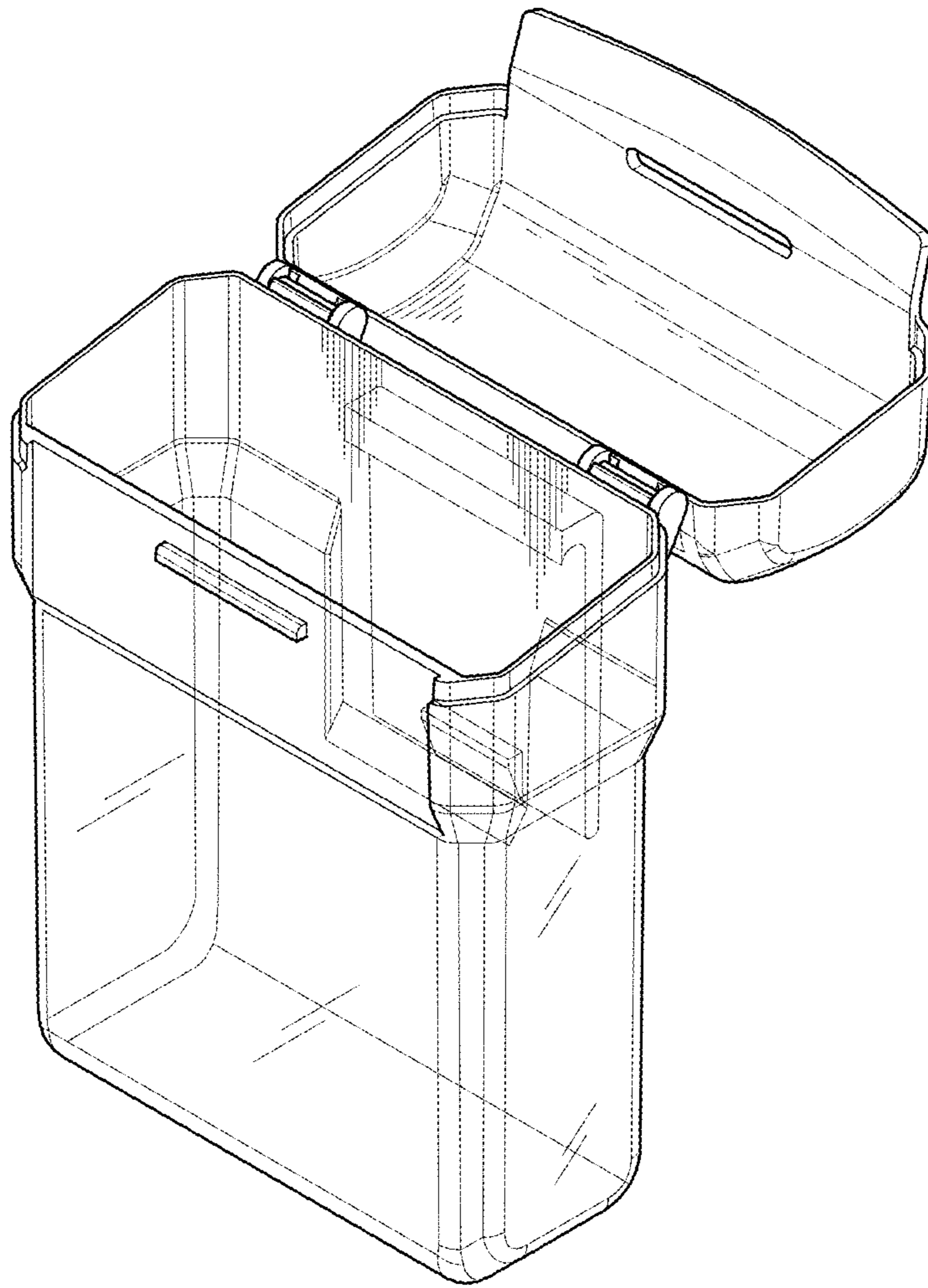


Fig. 9