



US00D775461S

(12) **United States Design Patent**  
**Ma**

(10) **Patent No.:** **US D775,461 S**

(45) **Date of Patent:** **\*\* Jan. 3, 2017**

(54) **UMBRELLA BASE**

(71) Applicant: **Oliver Joen-an Ma**, Arcadia, CA (US)

(72) Inventor: **Oliver Joen-an Ma**, Arcadia, CA (US)

(\*\*) Term: **14 Years**

(21) Appl. No.: **29/522,208**

(22) Filed: **Mar. 27, 2015**

(51) **LOC (10) Cl.** ..... **03-03**

(52) **U.S. Cl.**  
USPC ..... **D3/10**

(58) **Field of Classification Search**  
USPC ..... D3/5, 6, 10, 11, 12, 14, 16; D6/708,  
D6/708.2, 708.24; D8/354  
CPC ... A45B 23/00; A45B 11/00; A45B 223/0025;  
B65D 2519/00323; B65D  
2519/00029; E04H 12/2238; E04H  
12/2269; A47B 65/00; A47B  
61/00; A47B 37/04; F16M 13/00

See application file for complete search history.

(56) **References Cited**

**U.S. PATENT DOCUMENTS**

1,261,142 A	4/1918	McNichol
1,711,831 A	5/1929	Clavin
1,940,523 A	12/1933	Barclay
2,036,033 A	3/1936	Fisher
2,146,658 A	2/1939	Leopold
2,652,845 A	9/1953	O'Neill et al.
2,952,471 A	9/1960	Thorpe
3,025,058 A	3/1962	Brumfield
3,179,438 A	4/1965	Field
3,259,432 A	7/1966	Jackson
3,353,837 A	11/1967	Marcyán
3,372,855 A	3/1968	Keith
3,606,445 A	9/1971	Wunderlich
3,632,029 A	1/1972	Sonner
3,633,242 A	1/1972	Wasofsky

3,635,491 A	1/1972	Drews et al.
3,841,631 A	10/1974	Dolan
3,949,901 A	4/1976	Tokita
4,000,750 A	1/1977	Becher
4,063,616 A	12/1977	Gutierrez
4,249,282 A	2/1981	Little

(Continued)

**FOREIGN PATENT DOCUMENTS**

DE	93 13 372	10/1993
DE	202006002271 U1	6/2006

(Continued)

**OTHER PUBLICATIONS**

Activa Leisure, 2010 Product Catalog.

(Continued)

*Primary Examiner* — John Windmuller

*Assistant Examiner* — Steven Czyz

(74) *Attorney, Agent, or Firm* — Knobbe, Martens, Olson & Bear, LLP

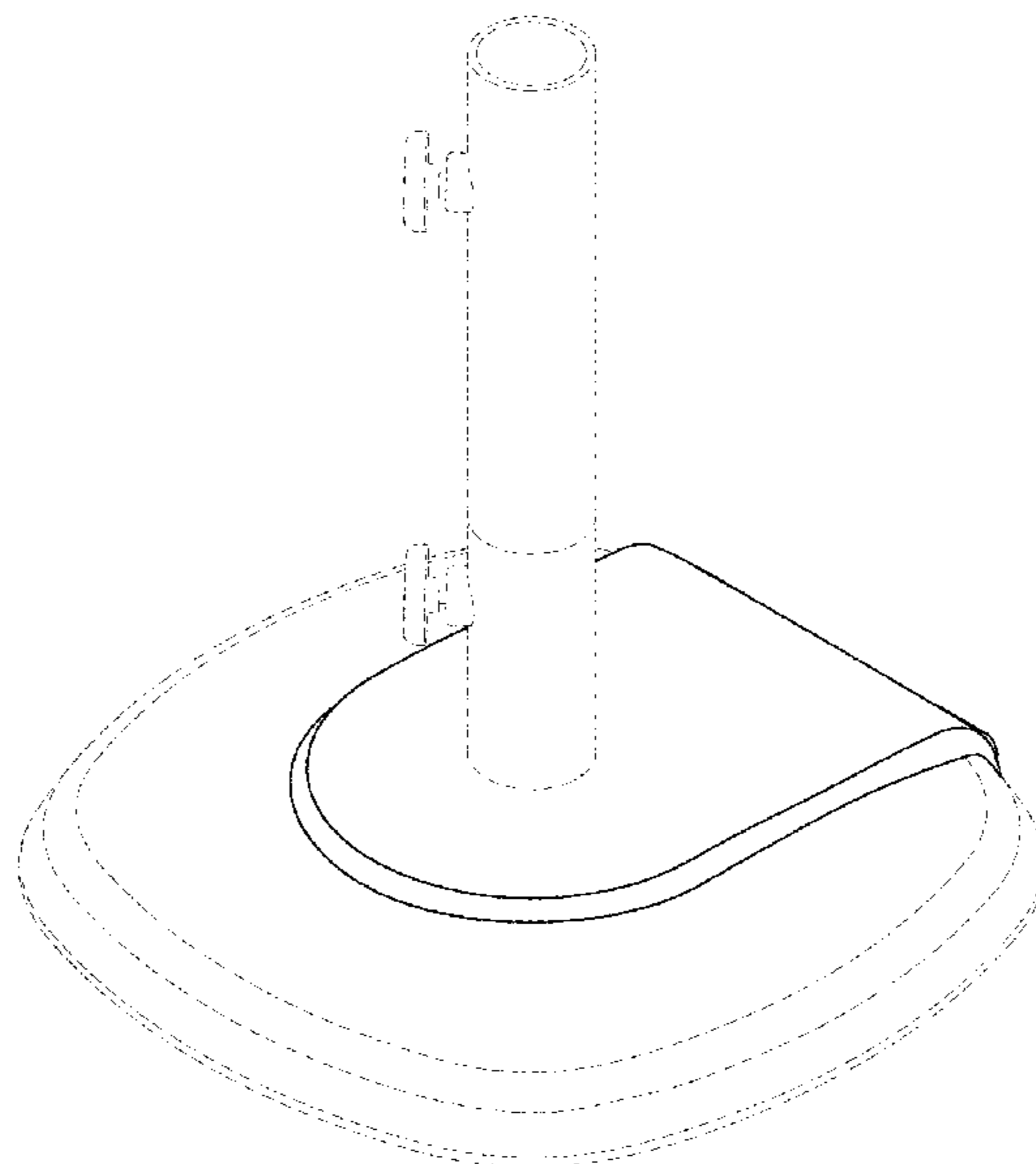
(57) **CLAIM**

The ornamental design for an umbrella base, as shown and described.

**DESCRIPTION**

FIG. 1 is a perspective view of an umbrella base showing my new design;  
FIG. 2 is a front view of the design of FIG. 1;  
FIG. 3 is a rear view of the design of FIG. 1;  
FIG. 4 is a left side view of the design of FIG. 1;  
FIG. 5 is a right side view of the design of FIG. 1; and,  
FIG. 6 is a top view of the design of FIG. 1.  
The broken lines depict portions of the article that form no part of the claimed design.

**1 Claim, 6 Drawing Sheets**



(56)	References Cited				
	U.S. PATENT DOCUMENTS				
4,296,693	A	10/1981	Archer		
4,591,126	A *	5/1986	Berney .....	E04H 12/2246	
				248/524	
D286,116	S *	10/1986	Tegze .....	D3/10	
4,790,029	A	12/1988	LaFleur et al.		
D305,702	S *	1/1990	Taliani .....	D3/10	
4,903,859	A	2/1990	Derby et al.		
4,973,327	A	11/1990	Goodrich, Jr. et al.		
5,104,236	A	4/1992	LaFleur		
5,152,495	A *	10/1992	Jacinto .....	E04H 12/223	
				135/98	
5,158,369	A	10/1992	Derby		
5,167,393	A	12/1992	Hayakawa et al.		
5,207,407	A	5/1993	Fitzsimmons et al.		
5,209,364	A	5/1993	LaPoint, Jr.		
5,220,740	A *	6/1993	Brault .....	E01F 9/0126	
				248/910	
5,248,140	A	9/1993	Matherne et al.		
5,257,983	A	11/1993	Garyantes et al.		
5,259,612	A	11/1993	Matherne et al.		
5,283,595	A *	2/1994	Krukovsky .....	G09F 7/20	
				345/2.3	
5,289,937	A	3/1994	Boots		
5,322,023	A *	6/1994	Hammond .....	A47B 37/04	
				108/50.12	
5,323,922	A	6/1994	Lapoint et al.		
5,328,268	A	7/1994	Lafleur		
5,330,213	A	7/1994	Peruso		
D350,041	S *	8/1994	Schwarzli .....	D20/8	
5,337,989	A	8/1994	Apple		
5,354,049	A	10/1994	Matherne et al.		
5,375,835	A	12/1994	Van Nimwegen et al.		
5,423,611	A	6/1995	Sherrard		
5,480,191	A	1/1996	Litin et al.		
5,481,822	A	1/1996	Engels		
5,492,429	A	2/1996	Hodges		
5,520,982	A	5/1996	Grigsby et al.		
5,538,155	A	7/1996	Hoekstra		
5,599,037	A	2/1997	Spickler		
5,615,451	A	4/1997	Peterson et al.		
5,628,522	A	5/1997	Hall		
5,628,523	A	5/1997	Smith		
5,636,649	A	6/1997	Horvath		
5,730,668	A	3/1998	Hege et al.		
5,743,283	A	4/1998	Horvath		
5,823,213	A	10/1998	Patarra		
5,826,850	A	10/1998	Goldsmith		
5,839,714	A	11/1998	Fitzsimmons et al.		
5,843,556	A	12/1998	Levas		
5,865,541	A	2/1999	Lafleur		
5,871,148	A	2/1999	Hafer		
5,940,932	A	8/1999	LaHay		
5,957,145	A *	9/1999	Plumer .....	B62B 1/262	
				135/117	
5,964,533	A	10/1999	Ziglar		
5,968,204	A	10/1999	Wise		
5,979,793	A *	11/1999	Louis .....	A45B 3/00	
				135/16	
6,000,549	A	12/1999	Perkins		
6,015,057	A	1/2000	Stone et al.		
6,089,394	A	7/2000	Ziglar		
6,102,569	A	8/2000	Wang		
6,105,305	A	8/2000	Edens		
6,109,786	A	8/2000	Hafer et al.		
6,113,054	A	9/2000	Ma		
6,113,270	A	9/2000	Hafer		
6,149,025	A	11/2000	Wang		
6,196,719	B1	3/2001	Brown		
6,203,198	B1	3/2001	Stone		
6,220,755	B1	4/2001	Brown et al.		
6,305,659	B1 *	10/2001	Metelski .....	F16M 11/20	
				248/519	
6,328,470	B2	12/2001	Brown et al.		
6,336,450	B1 *	1/2002	Collet .....	F24C 15/22	
				126/92 B	
6,367,494	B1 *	4/2002	Tung .....	E01F 9/0114	
				135/44	
6,374,839	B2 *	4/2002	Patarra .....	A45B 3/00	
				135/16	
6,405,990	B2	6/2002	Davis et al.		
6,412,746	B2	7/2002	Davis et al.		
6,412,747	B2	7/2002	Davis et al.		
6,415,927	B1	7/2002	Stone et al.		
6,446,408	B1	9/2002	Gordin et al.		
6,446,930	B1	9/2002	Li		
D464,190	S *	10/2002	Salahub .....	D3/10	
6,481,591	B2 *	11/2002	Mendoza .....	D06F 95/002	
				220/9.2	
6,488,254	B2 *	12/2002	Li .....	A45B 17/00	
				135/15.1	
6,511,033	B2	1/2003	Li		
D470,305	S *	2/2003	Clarke .....	D3/10	
6,523,640	B1	2/2003	Young et al.		
6,554,012	B2	4/2003	Patarra		
6,554,243	B2	4/2003	Davis et al.		
6,594,951	B1	7/2003	Reynolds		
6,637,717	B2	10/2003	Li		
D484,303	S *	12/2003	Taylor .....	D3/10	
6,658,760	B2	12/2003	Kohlman et al.		
6,669,045	B2	12/2003	Wang		
D485,055	S *	1/2004	Taylor .....	D3/10	
6,682,055	B1	1/2004	Tomlinson et al.		
6,732,752	B2	5/2004	Cohen et al.		
6,796,319	B1	9/2004	Patarra et al.		
6,869,058	B2	3/2005	Tung		
6,889,953	B2	5/2005	Harbough		
D516,297	S *	3/2006	Smith .....	D3/10	
7,090,399	B2	8/2006	Godshaw et al.		
7,140,581	B1	11/2006	White		
7,143,601	B1	12/2006	Jimenez		
7,163,212	B1	1/2007	Rupp		
7,195,397	B2	3/2007	Williamson et al.		
7,285,111	B2	10/2007	Gaster		
7,331,684	B2	2/2008	Tung		
7,347,428	B2	3/2008	Edenso		
D568,603	S *	5/2008	Smith .....	D3/10	
D573,786	S *	7/2008	Smith .....	D3/10	
D574,143	S *	8/2008	Smith .....	D3/10	
D578,749	S *	10/2008	Ng .....	D3/10	
7,431,259	B2	10/2008	Tung		
7,484,704	B2	2/2009	Schommertz		
7,503,541	B2	3/2009	Harold et al.		
7,513,479	B2	4/2009	Li		
7,520,485	B1 *	4/2009	Giannetto .....	A01K 97/10	
				173/91	
7,537,015	B1	5/2009	Molnar, IV et al.		
7,575,117	B2	8/2009	Redzisz et al.		
7,584,563	B2	9/2009	Hillstrom et al.		
7,600,917	B2	10/2009	Richardson, Jr.		
7,614,600	B1	11/2009	Smith et al.		
7,641,165	B2	1/2010	Li		
D617,041	S *	6/2010	Shi .....	D26/142	
7,753,546	B2	7/2010	Kuelbs		
D621,148	S *	8/2010	Brady .....	D3/10	
D621,149	S *	8/2010	Brady .....	D3/10	
7,784,761	B2	8/2010	Ma		
7,836,902	B2	11/2010	Tung		
7,891,633	B2	2/2011	Li		
7,958,901	B2 *	6/2011	Lai .....	A45B 17/00	
				135/20.3	
8,070,006	B2	12/2011	Austin et al.		
8,104,492	B2 *	1/2012	Dan .....	A45B 23/00	
				135/20.3	
D655,531	S *	3/2012	Gharst .....	D3/10	
8,485,757	B2	7/2013	Nomoto		
8,556,100	B2	10/2013	Austin et al.		
8,567,729	B2	10/2013	Nemish		
D697,705	S *	1/2014	Ma .....	D3/10	
8,632,045	B2 *	1/2014	Ma .....	A45B 23/00	
				135/16	



(56)

References Cited

U.S. PATENT DOCUMENTS

8,657,246 B2 \* 2/2014 Ma ..... E04H 12/2238  
248/129  
8,714,511 B2 \* 5/2014 Zoeteman ..... A45B 23/00  
135/16  
8,807,513 B2 8/2014 Volin  
8,894,281 B2 11/2014 Town et al.  
8,919,361 B2 \* 12/2014 Ma ..... E04H 12/2238  
135/16  
8,919,722 B2 12/2014 Ma  
8,960,625 B2 2/2015 Ma  
D724,309 S \* 3/2015 Ma ..... D3/10  
D732,817 S \* 6/2015 Elstow ..... D3/10  
D740,546 S \* 10/2015 DeVaney ..... D3/10  
2001/0013358 A1 \* 8/2001 Patarra ..... A45B 3/00  
135/16  
2001/0040208 A1 11/2001 Li  
2001/0045498 A1 11/2001 Davis et al.  
2002/0185582 A1 12/2002 Li  
2003/0145498 A1 \* 8/2003 Venegas, Jr. .... E01F 9/0124  
40/607.1  
2003/0230692 A1 12/2003 Davis et al.  
2004/0056169 A1 3/2004 Harbough  
2004/0069922 A1 4/2004 Wu  
2004/0108439 A1 6/2004 Ma  
2004/0163336 A1 8/2004 Hsu  
2004/0177871 A1 \* 9/2004 Harbaugh ..... A45B 19/10  
135/20.1  
2004/0195487 A1 10/2004 Harbough  
2005/0161067 A1 7/2005 Hollins  
2005/0189005 A1 \* 9/2005 Smith ..... G09F 23/00  
135/16  
2006/0054206 A1 \* 3/2006 Bilotti ..... E04H 12/2238  
135/16

2007/0080277 A1 \* 4/2007 Chen ..... E04H 12/2246  
248/354.3  
2008/0111046 A1 \* 5/2008 Tung ..... A45B 17/00  
248/521  
2009/0174162 A1 7/2009 Gass et al.  
2009/0320341 A1 12/2009 Hillstrom et al.  
2010/0065709 A1 3/2010 Ying  
2010/0147341 A1 6/2010 Li  
2010/0206346 A1 \* 8/2010 Tung ..... A45B 23/00  
135/20.1  
2011/0232704 A1 9/2011 Li  
2012/0125388 A1 5/2012 Kuo  
2013/0146739 A1 \* 6/2013 Zhao ..... E04H 12/2246  
248/519  
2013/0146740 A1 \* 6/2013 Ma ..... E04H 12/2246  
248/519  
2014/0230866 A1 \* 8/2014 Paolucci ..... E04H 12/2215  
135/15.1  
2014/0263926 A1 \* 9/2014 LeAnna ..... E04H 12/2284  
248/518

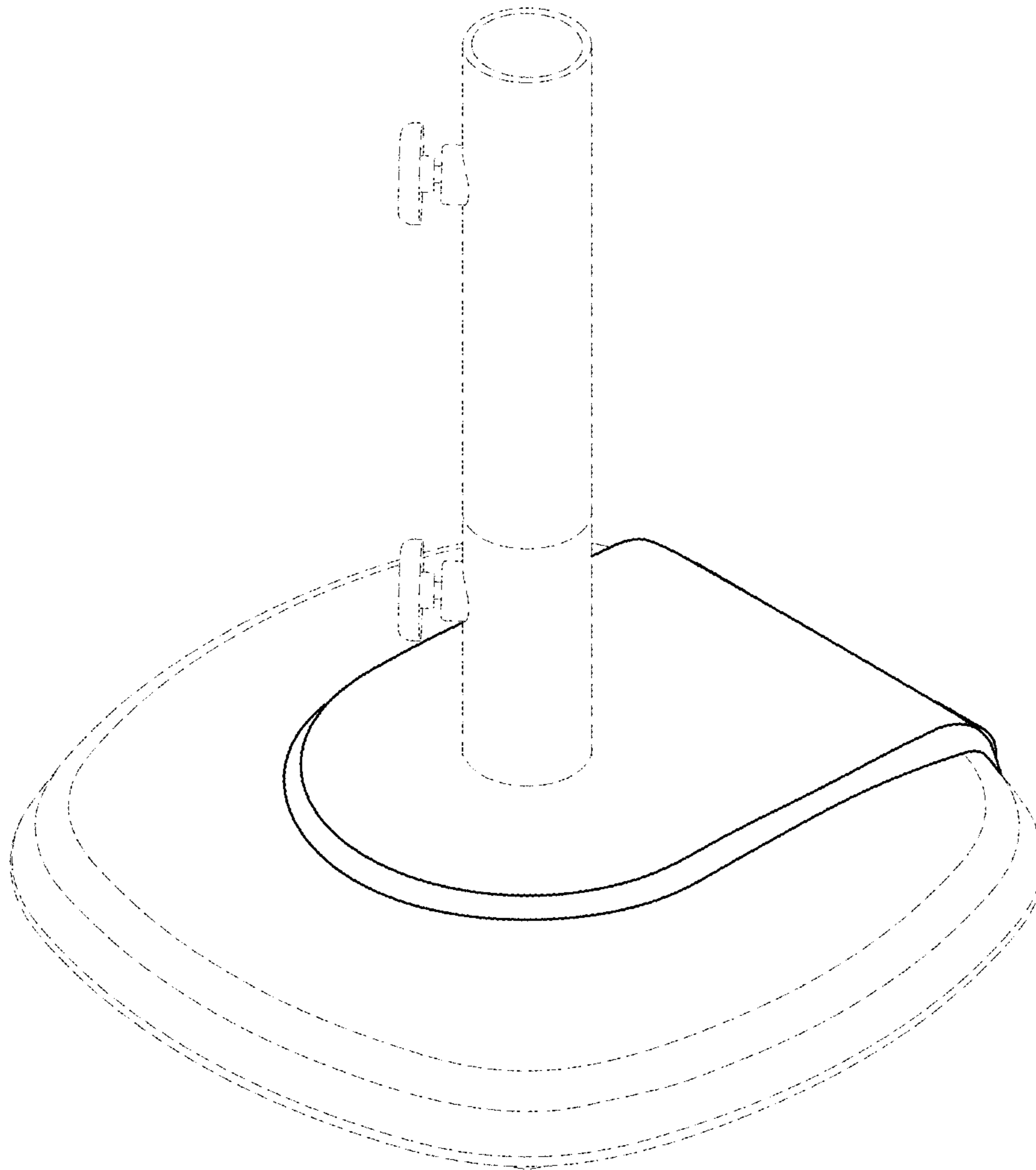
FOREIGN PATENT DOCUMENTS

EP	0 060 957	9/1982
EP	0 818 594	1/1998
EP	0 822 305	2/1998
FR	2 576 048	7/1986

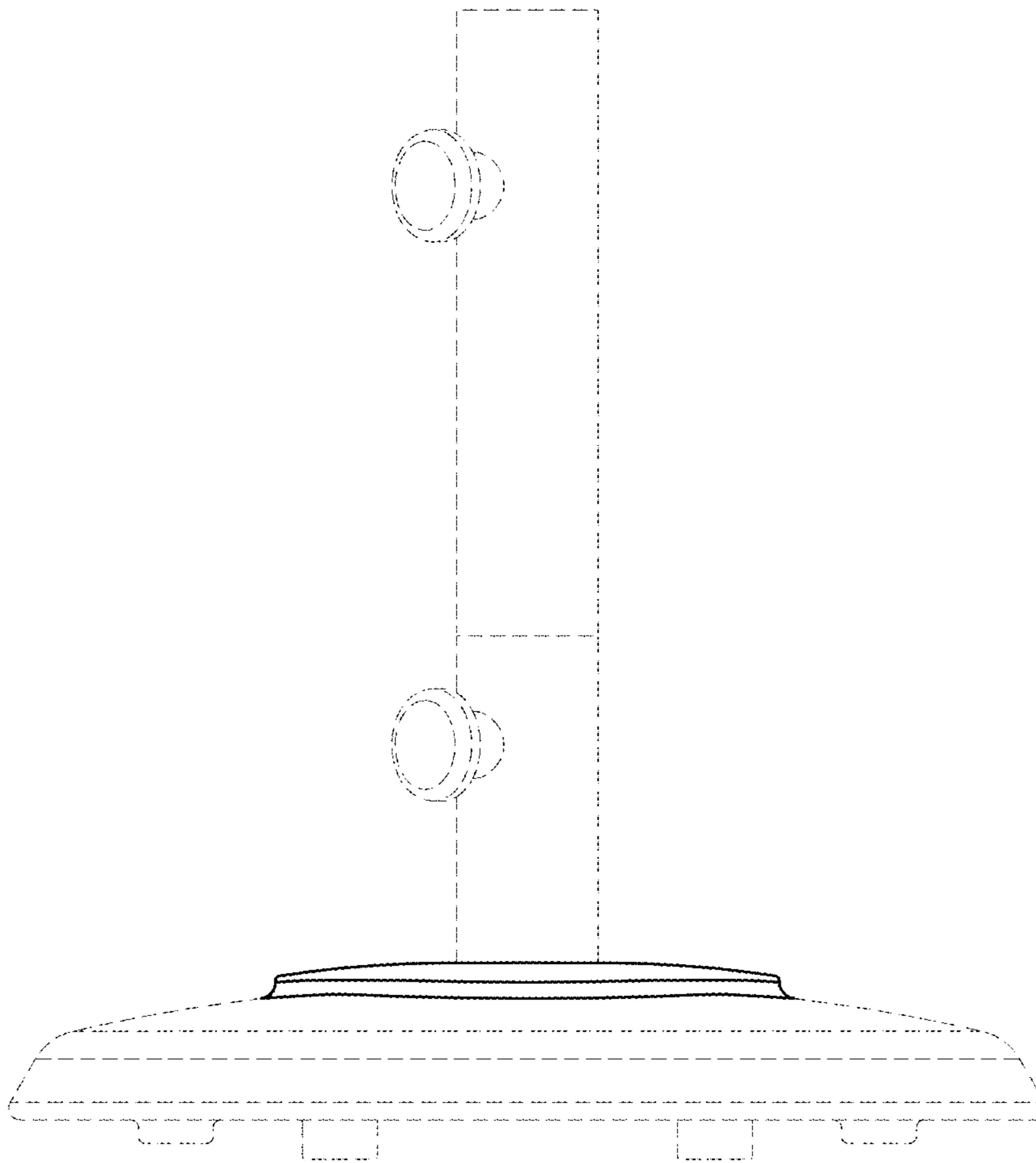
OTHER PUBLICATIONS

Treasure Garden, 2010 Product Catalog.  
Extended European Search Report issued in European Patent Appli-  
cation No. 14185666.6, dated Jun. 24, 2015.

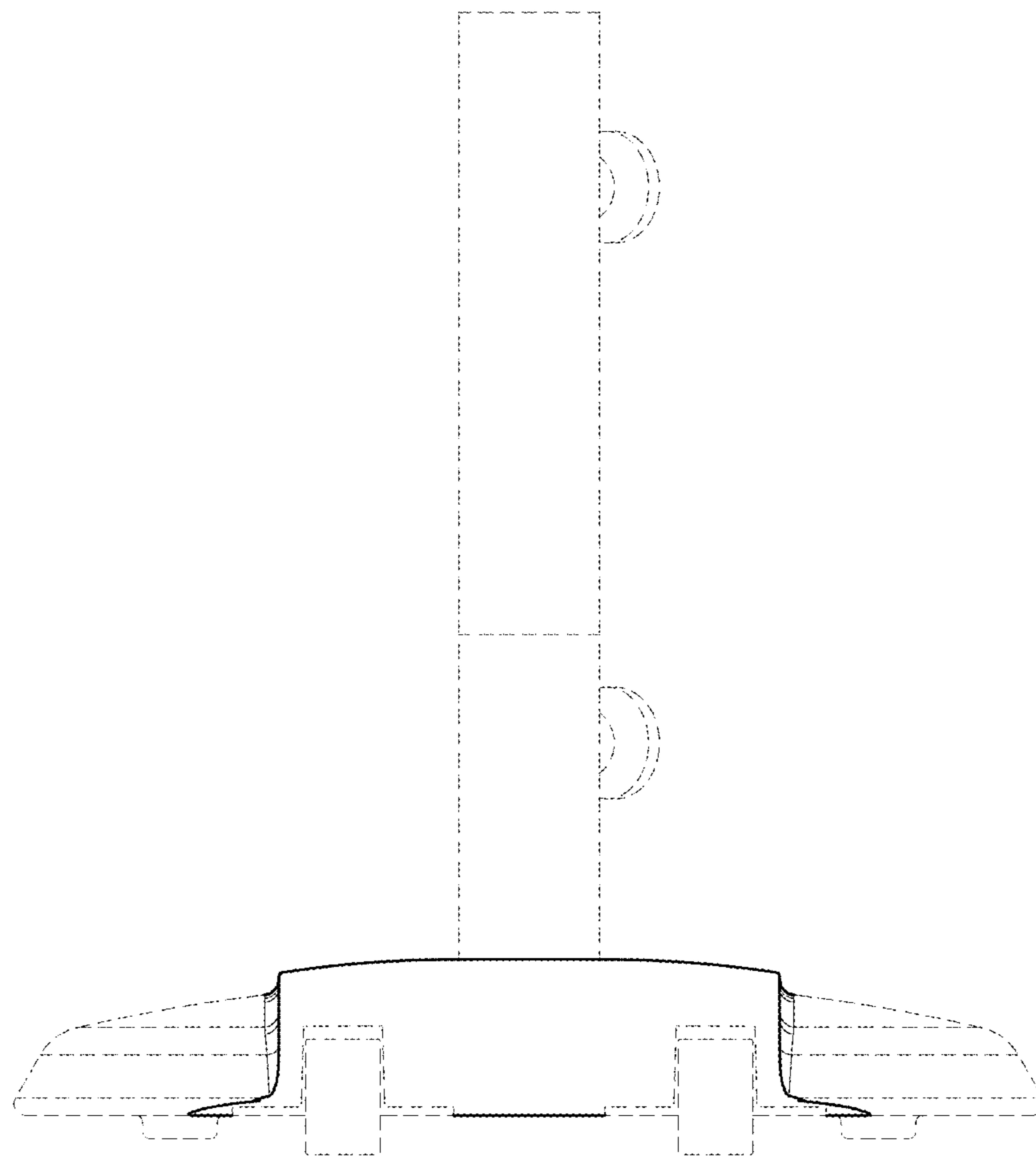
\* cited by examiner



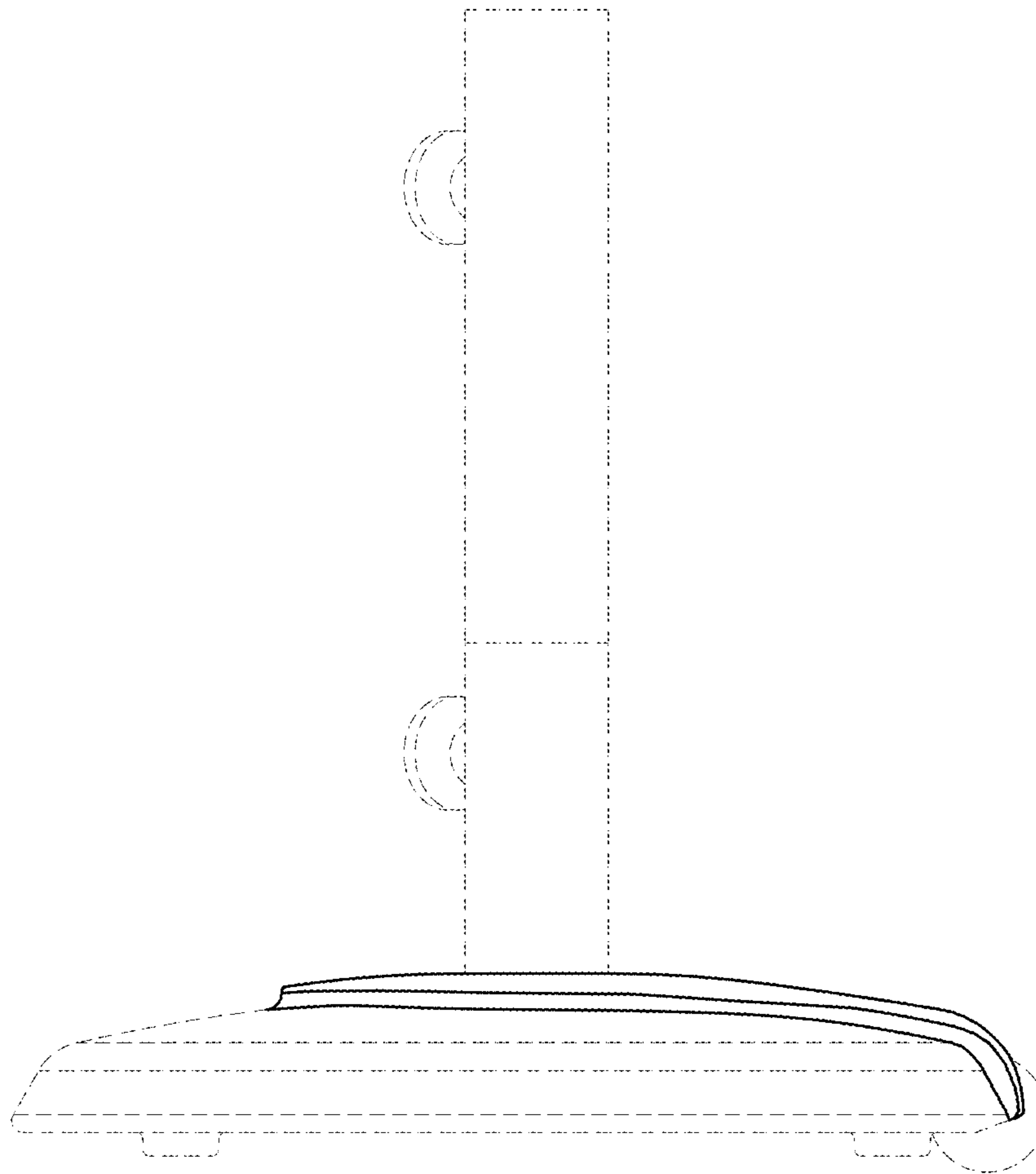
*FIG. 1*



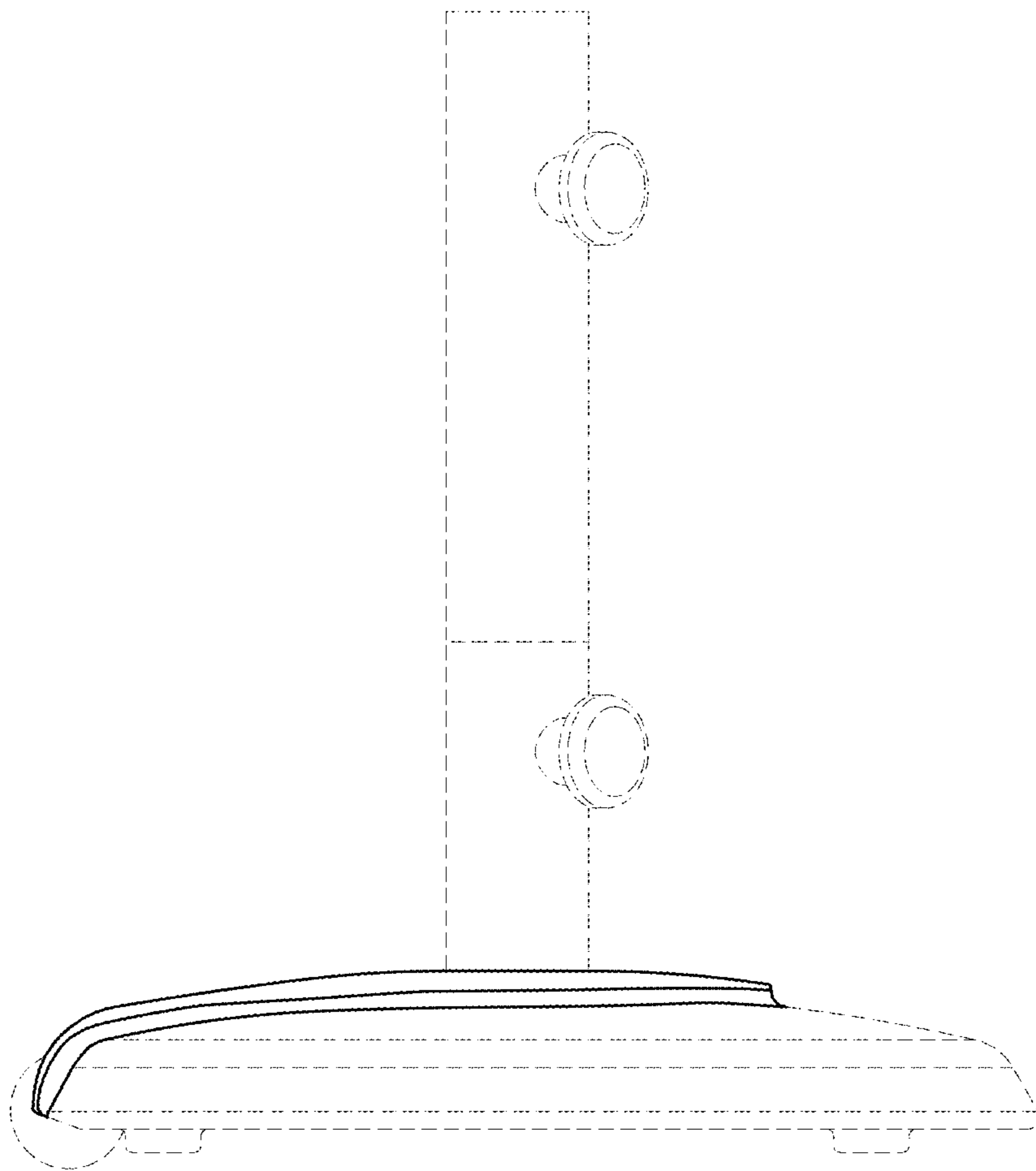
*FIG. 2*



*FIG. 3*

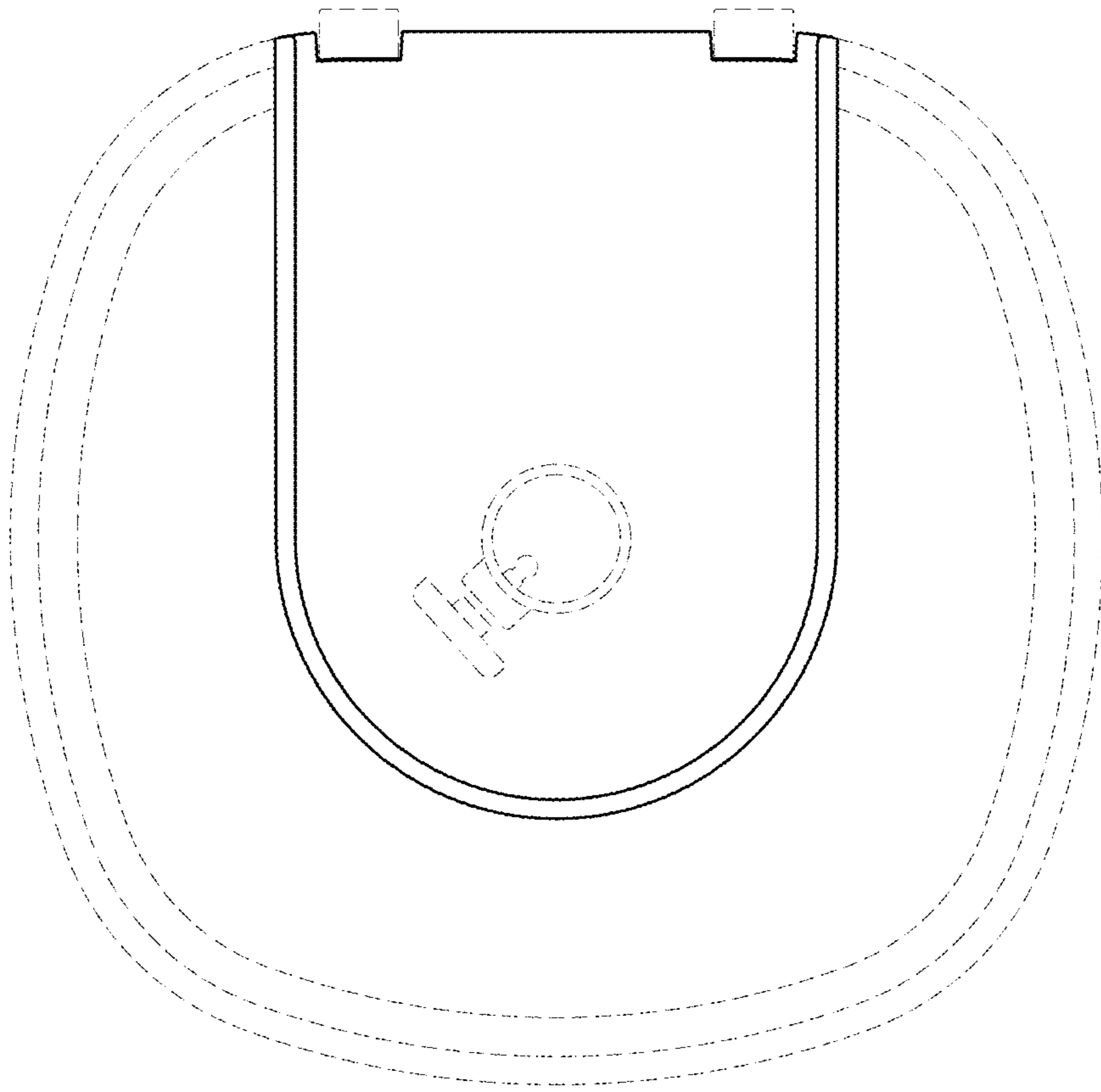


*FIG. 4*



*FIG. 5*





*FIG. 6*