



US00D775450S

(12) **United States Design Patent**
Kimura et al.

(10) **Patent No.:** **US D775,450 S**
(45) **Date of Patent:** **** Jan. 3, 2017**

(54) **MACARONI**

(71) Applicant: **NISSHIN FOODS INC.**, Tokyo (JP)

(72) Inventors: **Ryusuke Kimura**, Tokyo (JP); **Fusaki Kajio**, Tokyo (JP)

(73) Assignee: **NISSHIN FOODS INC.**, Tokyo (JP)

(**) Term: **15 Years**

(21) Appl. No.: **29/562,280**

(22) Filed: **Apr. 25, 2016**

Related U.S. Application Data

(62) Division of application No. 29/543,253, filed on Oct. 22, 2015, now Pat. No. Des. 759,343, which is a
(Continued)

(51) **LOC (10) Cl.** **01-01**

(52) **U.S. Cl.**
USPC **D1/126**

(58) **Field of Classification Search**

USPC D1/100-130, 199; 426/5, 76, 87, 92, 94,
426/95, 99, 101, 103, 104, 108, 134,
426/138-139, 143, 144, 279, 282, 283,
426/391, 514, 549, 559, 560, 660, 808;
D9/439; 521/50; 251/364; 220/574;
D8/83, 29, 70, 356, 38, 40; D21/487,
D21/458; D13/115

(Continued)

(56) **References Cited**

U.S. PATENT DOCUMENTS

1,589,850 A 6/1926 Haskell
D134,414 S 11/1942 Orme, Jr.
(Continued)

FOREIGN PATENT DOCUMENTS

JP D 1464623 3/2013
JP D 1464624 3/2013

(Continued)

OTHER PUBLICATIONS

Japanese Design Patent Application No. 2012-18358 filed Aug. 1, 2012

(Continued)

Primary Examiner — Garth Rademaker

Assistant Examiner — Katie S Mroczka

(74) *Attorney, Agent, or Firm* — Muncy, Geissler, Olds & Lowe, P.C.

(57) **CLAIM**

The ornamental design for a macaroni, as shown and described.

DESCRIPTION

FIG. 1 is a perspective view of a macaroni according to Embodiment 1;

FIG. 2 is a front view of the macaroni according to Embodiment 1;

FIG. 3 is a rear view of the macaroni according to Embodiment 1;

FIG. 4 is a right side view of the macaroni according to Embodiment 1;

FIG. 5 is a left side view of the macaroni according to Embodiment 1;

FIG. 6 is a top plan view of the macaroni according to Embodiment 1;

FIG. 7 is a bottom plan view of the macaroni according to Embodiment 1;

FIG. 8 is a perspective view of a macaroni according to Embodiment 2;

FIG. 9 is a front view of the macaroni according to Embodiment 2;

FIG. 10 is a rear view of the macaroni according to Embodiment 2;

FIG. 11 is a right side view of the macaroni according to Embodiment 2;

FIG. 12 is a left side view of the macaroni according to Embodiment 2;

FIG. 13 is a top plan view of the macaroni according to Embodiment 2;

(Continued)

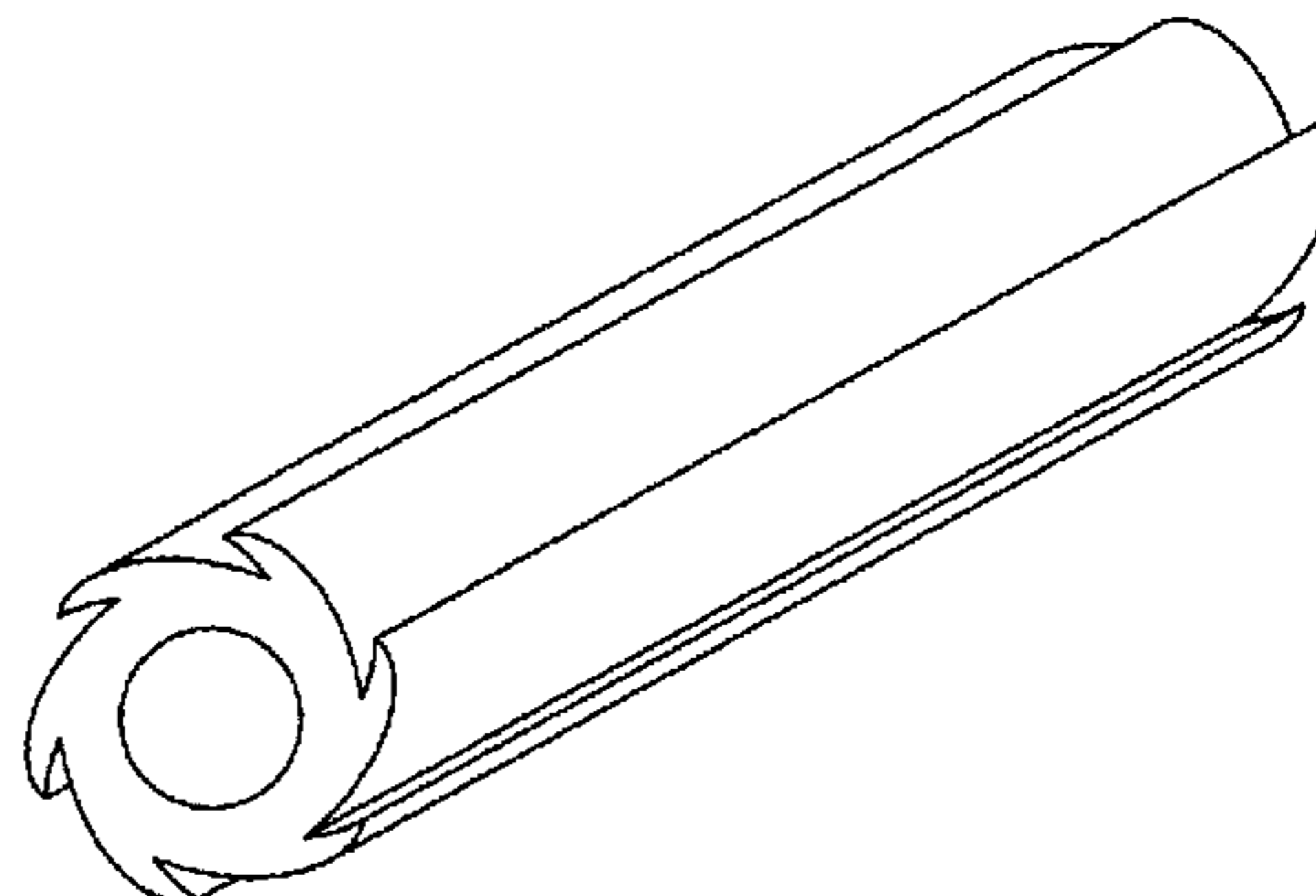
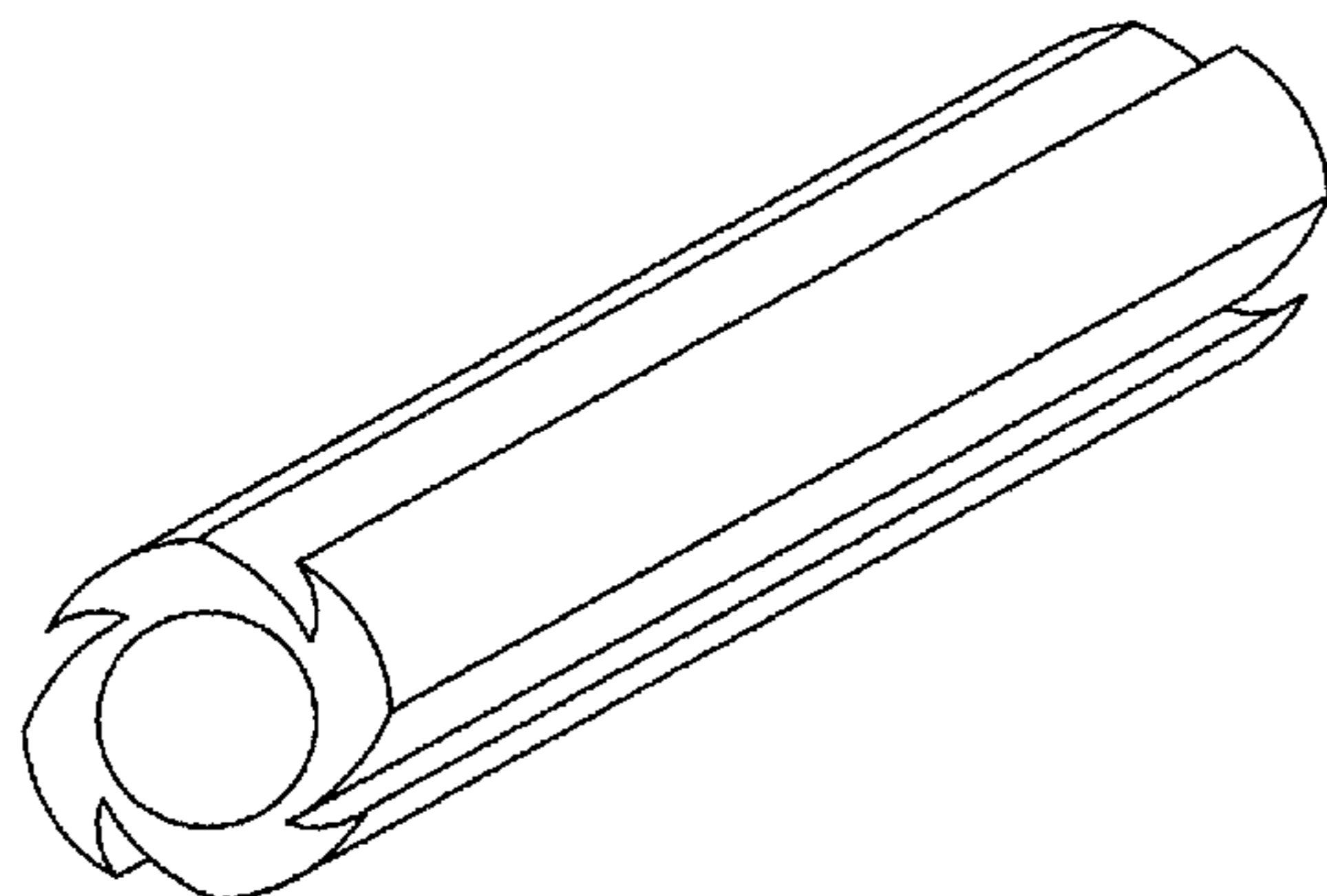


FIG. 14 is a bottom plan view of the macaroni according to Embodiment 2;
 FIG. 15 is a perspective view of a macaroni according to Embodiment 3;
 FIG. 16 is a front view of the macaroni according to Embodiment 3;
 FIG. 17 is a rear view of the macaroni according to Embodiment 3;
 FIG. 18 is a right side view of the macaroni according to Embodiment 3;
 FIG. 19 is a left side view of the macaroni according to Embodiment 3;
 FIG. 20 is a top plan view of the macaroni according to Embodiment 3;
 FIG. 21 is a bottom plan view of the macaroni according to Embodiment 3;
 FIG. 22 is a perspective view of a macaroni according to Embodiment 4;
 FIG. 23 is a front view of the macaroni according to Embodiment 4;
 FIG. 24 is a rear view of the macaroni according to Embodiment 4;
 FIG. 25 is a right side view of the macaroni according to Embodiment 4;
 FIG. 26 is a left side view of the macaroni according to Embodiment 4;
 FIG. 27 is a top plan view of the macaroni according to Embodiment 4; and,
 FIG. 28 is a bottom plan view of the macaroni according to Embodiment 4.

1 Claim, 4 Drawing Sheets

Related U.S. Application Data

division of application No. 29/526,971, filed on May 14, 2015, now Pat. No. Des. 745,243, which is a division of application No. 29/488,931, filed on Apr. 24, 2014, now Pat. No. Des. 733,992, which is a division of application No. 29/445,131, filed on Feb. 7, 2013, now Pat. No. Des. 707,419.

(58) **Field of Classification Search**

CPC A21D 13/0025; A21D 13/0029; A21D 13/0074; A22C 13/0013; A23L 1/16
 See application file for complete search history.

(56) **References Cited**

U.S. PATENT DOCUMENTS

3,161,210 A 12/1964 Loof
 3,240,233 A 3/1966 Johnston
 3,720,235 A 3/1973 Schrock
 4,248,179 A 2/1981 Bonner
 4,358,634 A 11/1982 Dienes
 4,892,442 A 1/1990 Shoffner
 D311,625 S 10/1990 Starck
 D315,435 S 3/1991 Kirkpatrick

5,087,153 A 2/1992 Washburn
 D338,678 S 8/1993 Mihic
 5,238,328 A 8/1993 Adams et al.
 D347,665 S 6/1994 Hatting
 5,462,758 A * 10/1995 Ventres A23L 7/109
 426/451
 D380,886 S 7/1997 Hauser et al.
 D381,185 S 7/1997 Hauser et al.
 5,678,609 A 10/1997 Washburn
 D392,435 S 3/1998 Mocking et al.
 5,937,488 A 8/1999 Geiger
 D423,312 S 4/2000 Hames
 D428,782 S 8/2000 Hames
 6,112,770 A 9/2000 Walsh et al.
 6,185,859 B1 2/2001 Pirkle
 D440,377 S 4/2001 Keller
 D445,322 S 7/2001 Hames
 D474,873 S * 5/2003 Frazee D1/128
 D485,661 S 1/2004 Harris
 D489,865 S 5/2004 Pavan
 D492,467 S 7/2004 Pittard et al.
 D494,451 S 8/2004 Winig
 D499,005 S 11/2004 Winig
 D507,691 S 7/2005 Leiweke et al.
 D508,199 S 8/2005 Winig
 D514,264 S * 1/2006 Viola D1/126
 D537,607 S 3/2007 Adkins
 D538,507 S 3/2007 Tansey et al.
 D544,322 S 6/2007 Horobec
 D565,826 S 4/2008 Zaragoza
 D575,612 S 8/2008 Clampitt et al.
 D591,926 S 5/2009 Jia
 D593,277 S 6/2009 Wylie
 D630,409 S 1/2011 Tansey
 D660,546 S 5/2012 Joseph et al.
 D684,337 S 6/2013 Tansey et al.
 D684,339 S 6/2013 Cox
 D692,206 S 10/2013 Slusarczyk et al.
 8,647,694 B2 2/2014 Kimura et al.
 D709,343 S 7/2014 Huang
 2010/0034930 A1 2/2010 Ko
 2012/0196015 A1 8/2012 Fuentes et al.
 2013/0302498 A1 * 11/2013 Tanaka A21C 11/16
 426/557
 2015/0030745 A1 * 1/2015 Yoneyama A23L 7/109
 426/557

FOREIGN PATENT DOCUMENTS

JP D 1464625 3/2013
 JP D 1464823 3/2013
 JP D 1464824 3/2013
 JP D 1464825 3/2013

OTHER PUBLICATIONS

Japanese Design Patent Application No. 2012-18359 filed Aug. 1, 2012.
 Japanese Design Patent Application No. 2012-236549 filed Oct. 26, 2012.
 International Patent Application No. PCT/JP2013/52731 filed Feb. 6, 2013.
 Japanese Office Action dated Mar. 26, 2013, for Design Application No. 2012-018358.
 Japanese Office Action dated Mar. 26, 2013, for Design Application No. 2012-018359.

* cited by examiner

FIG. 1

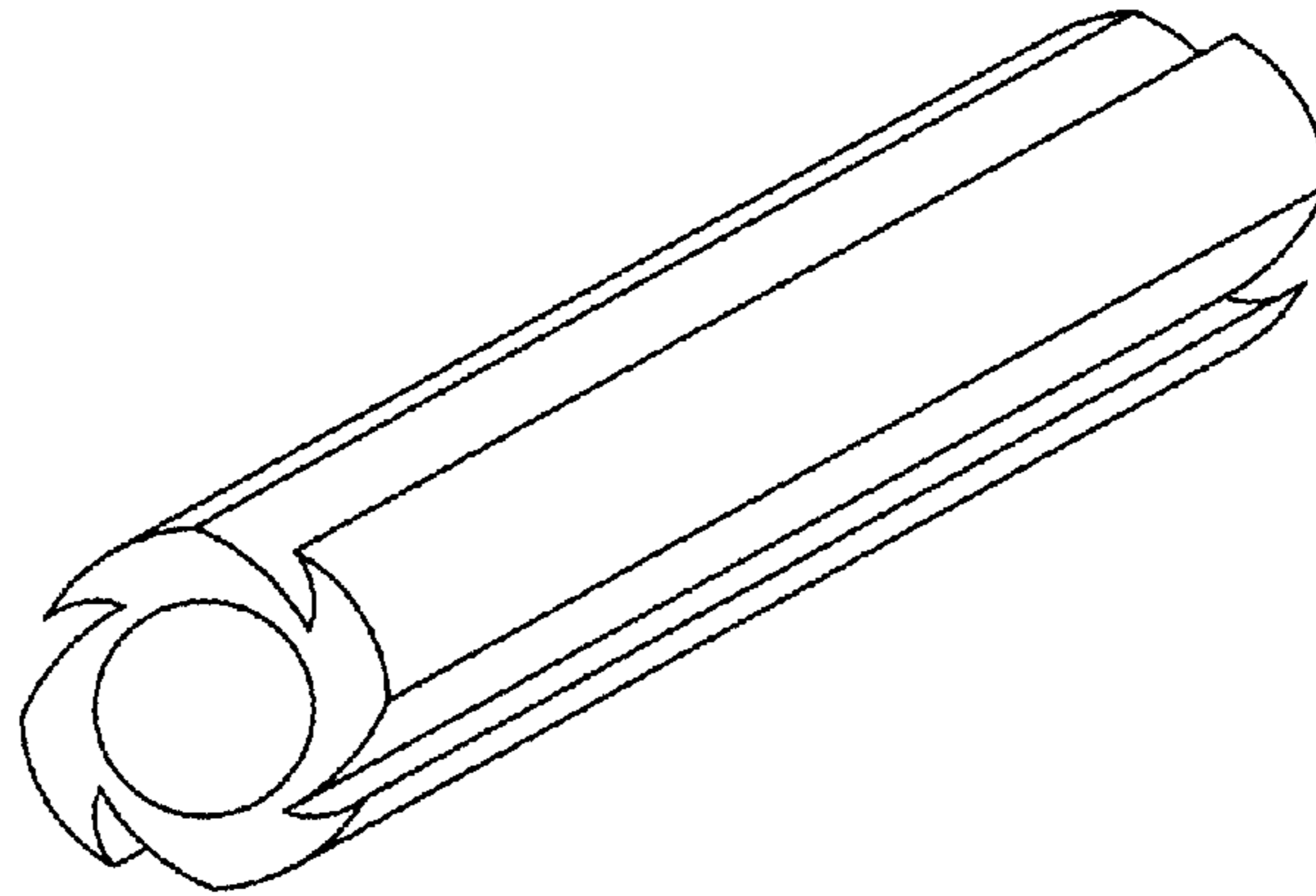


FIG. 2

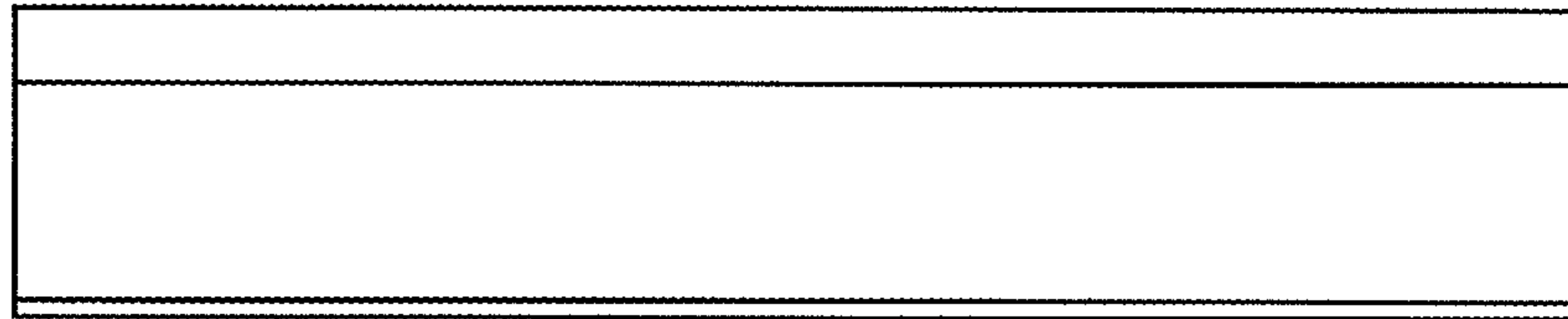


FIG. 3

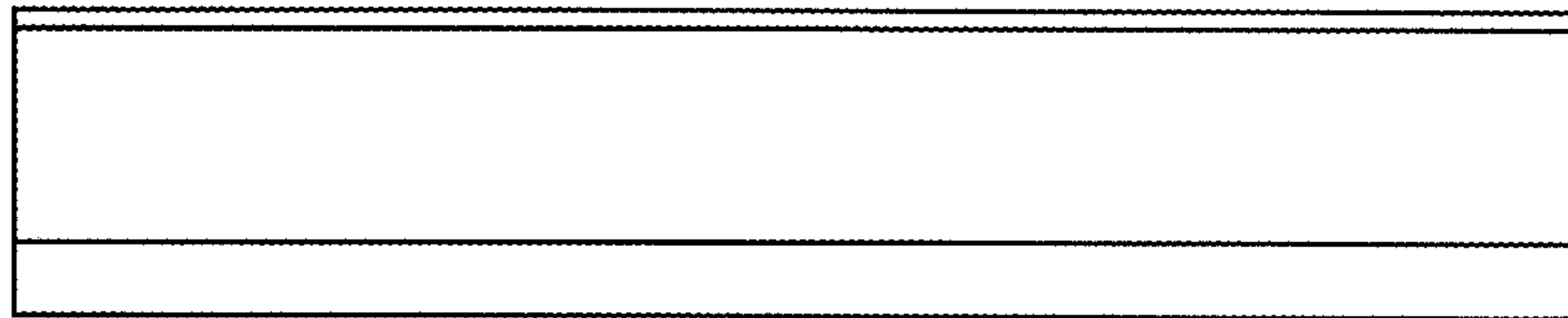


FIG. 4



FIG. 5

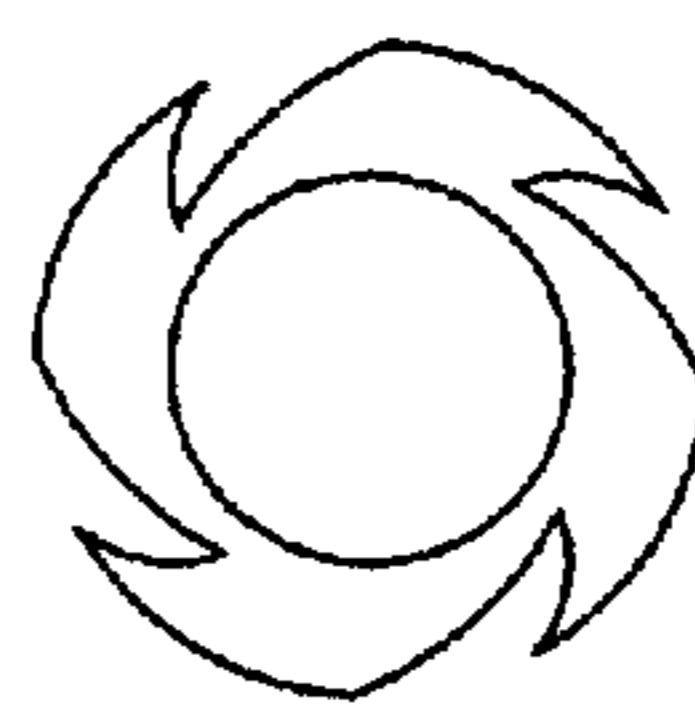


FIG. 6

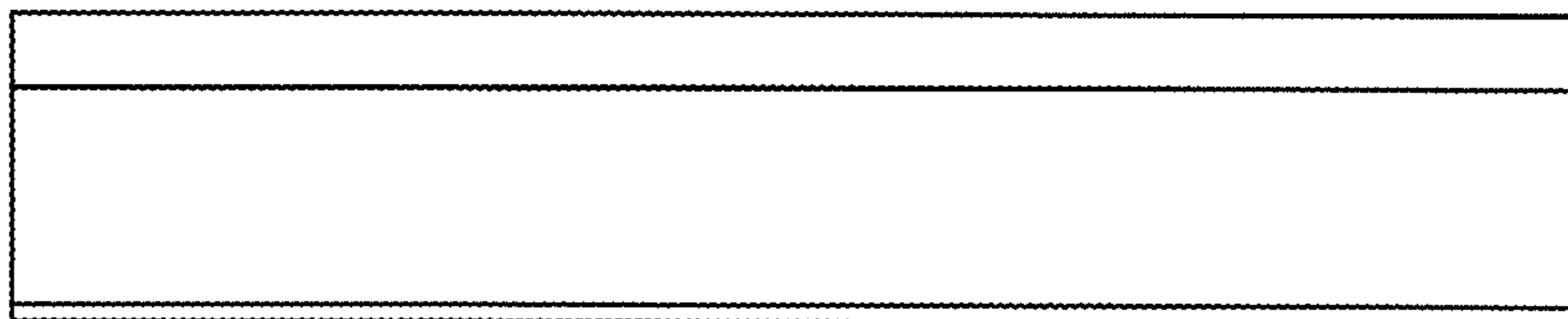


FIG. 7

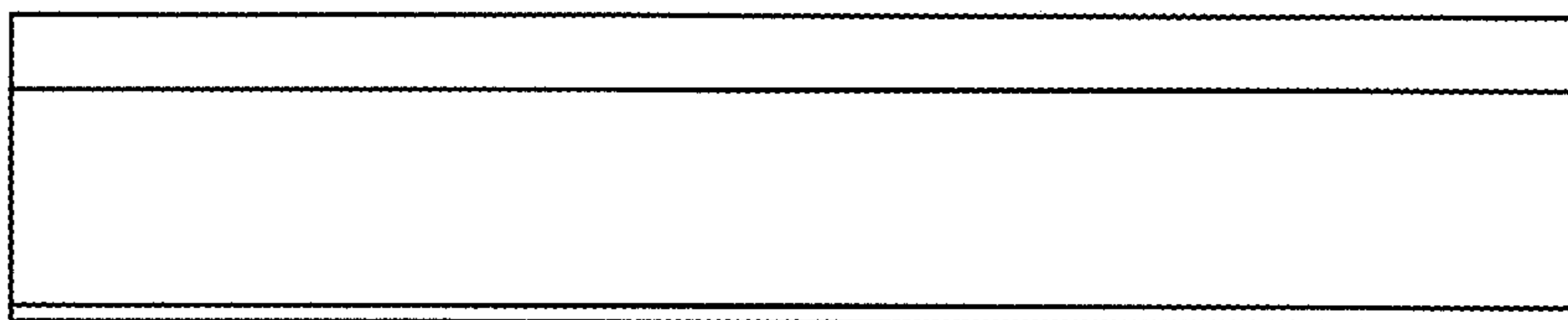


FIG. 8

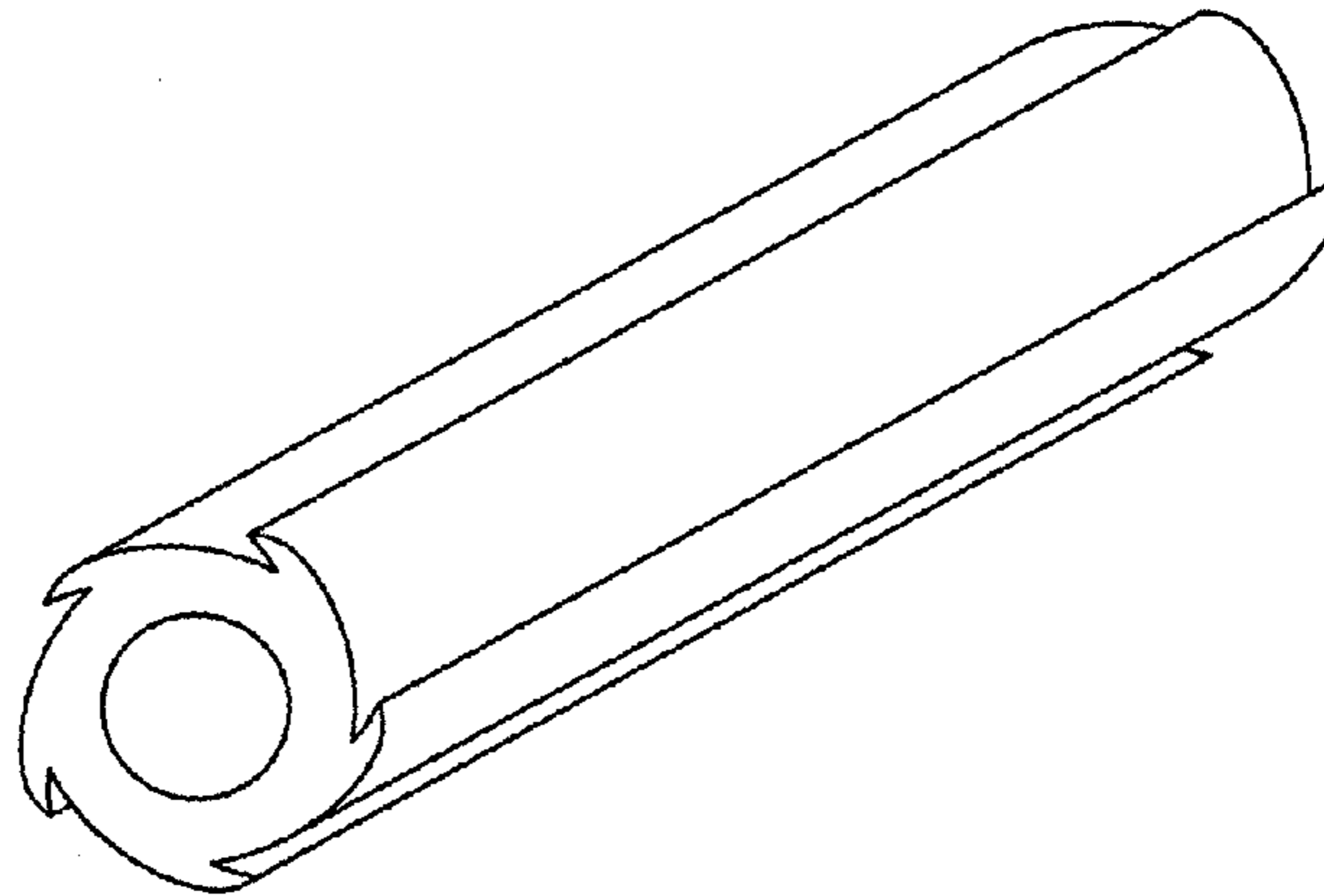


FIG. 9

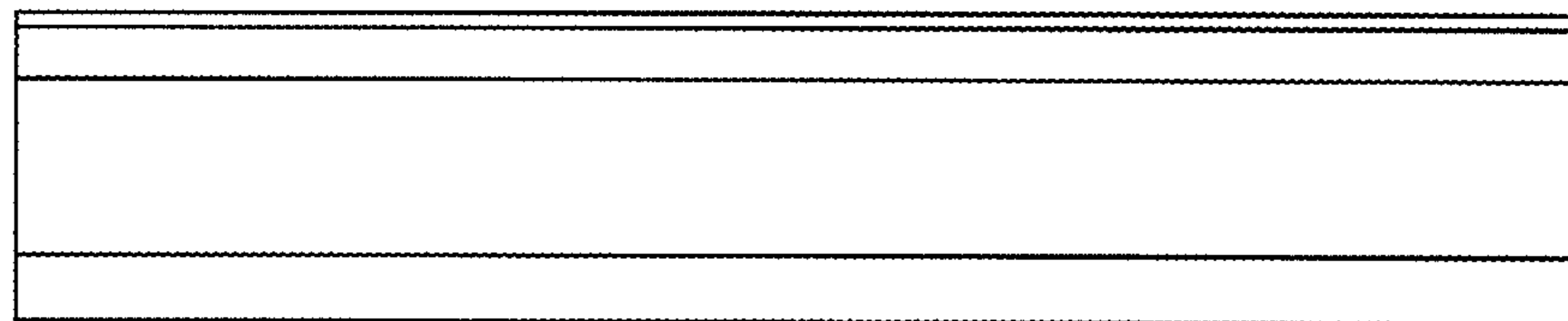


FIG. 10

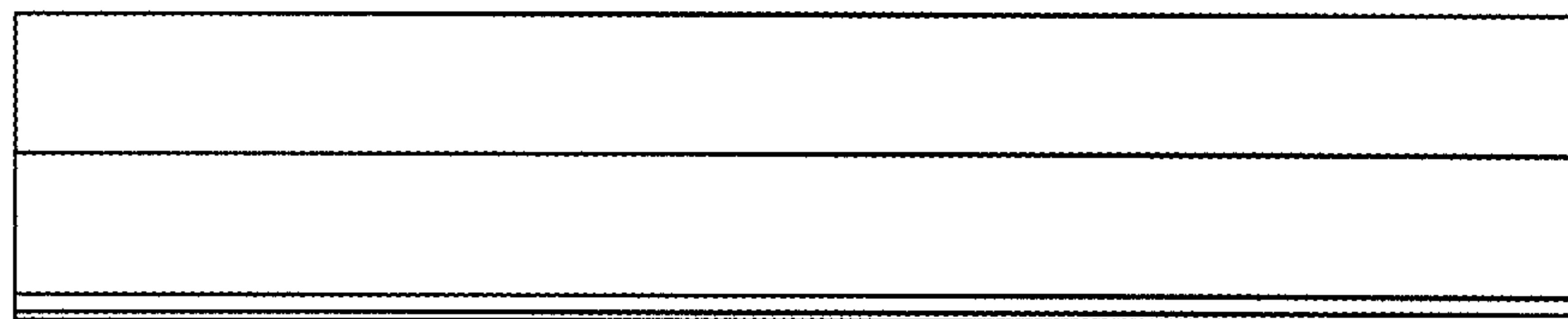


FIG. 11

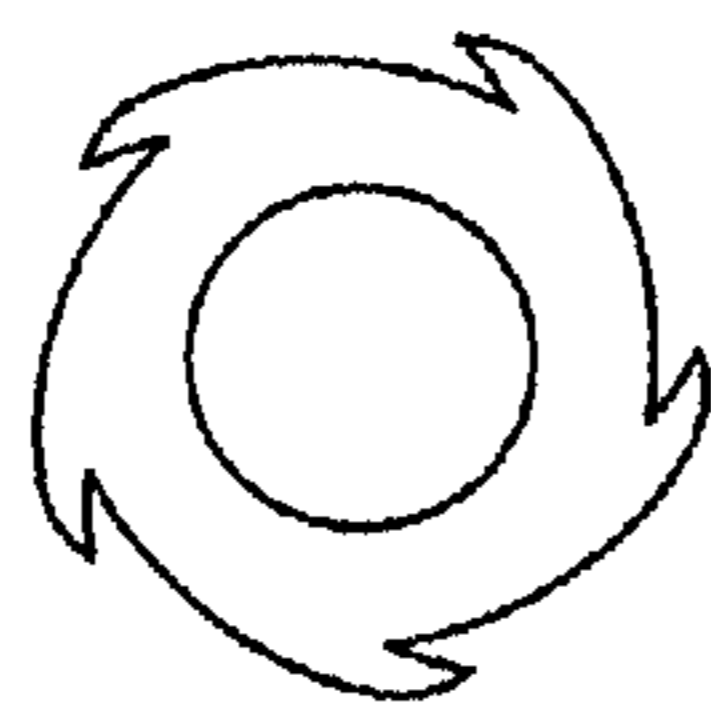


FIG. 12

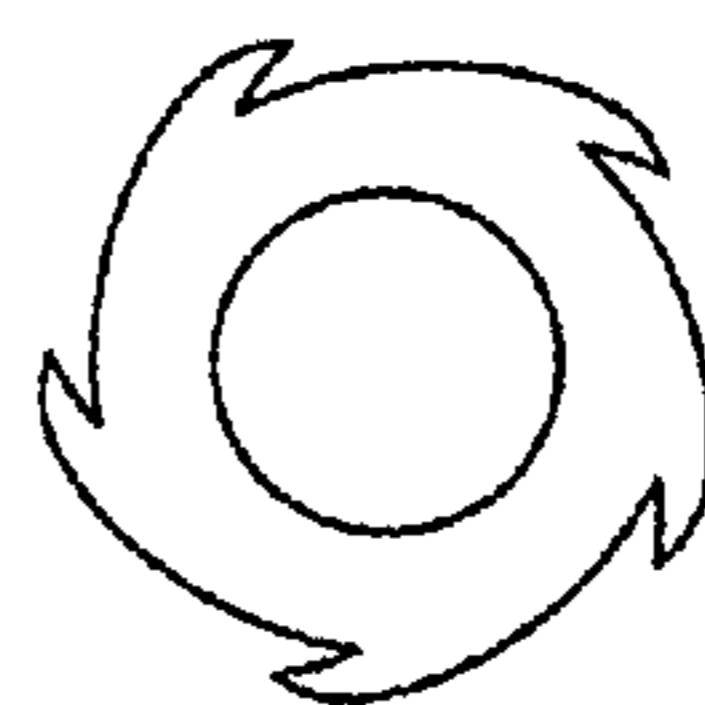


FIG. 13

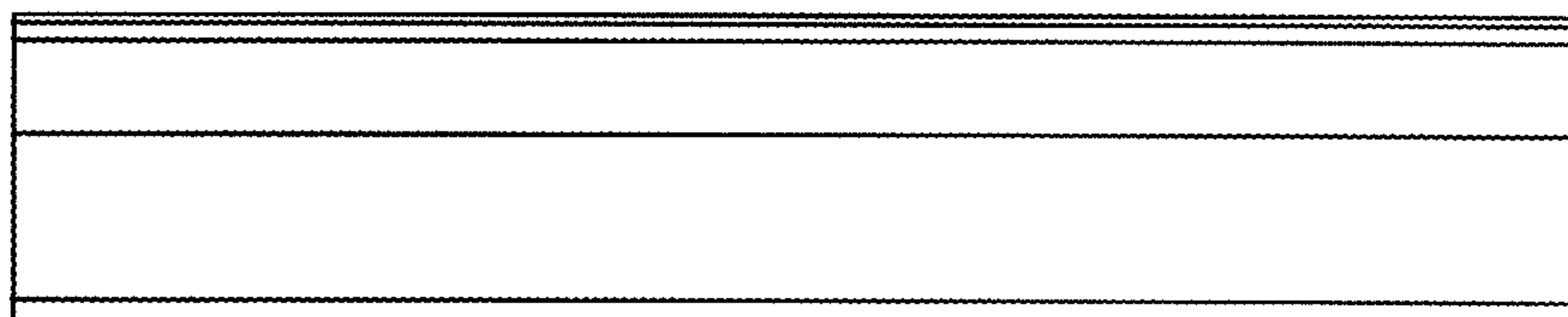


FIG. 14

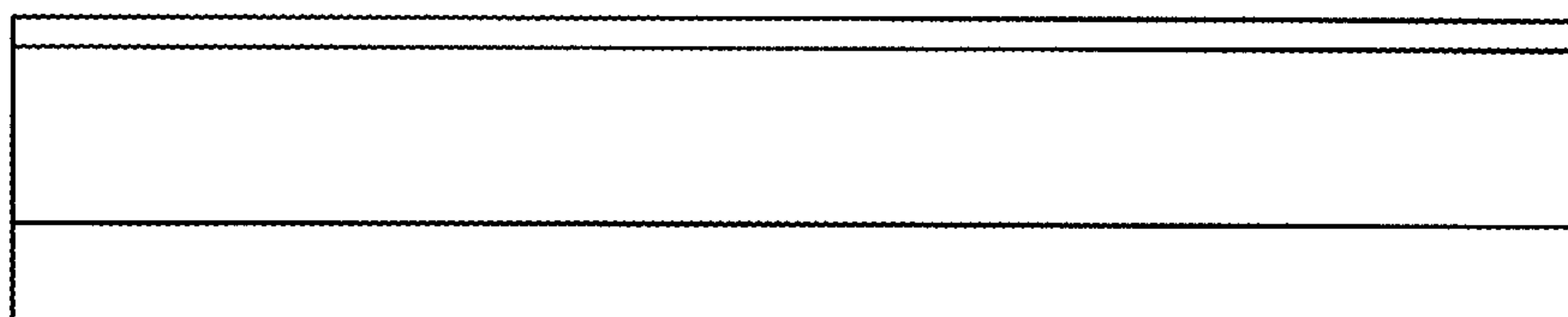


FIG. 15

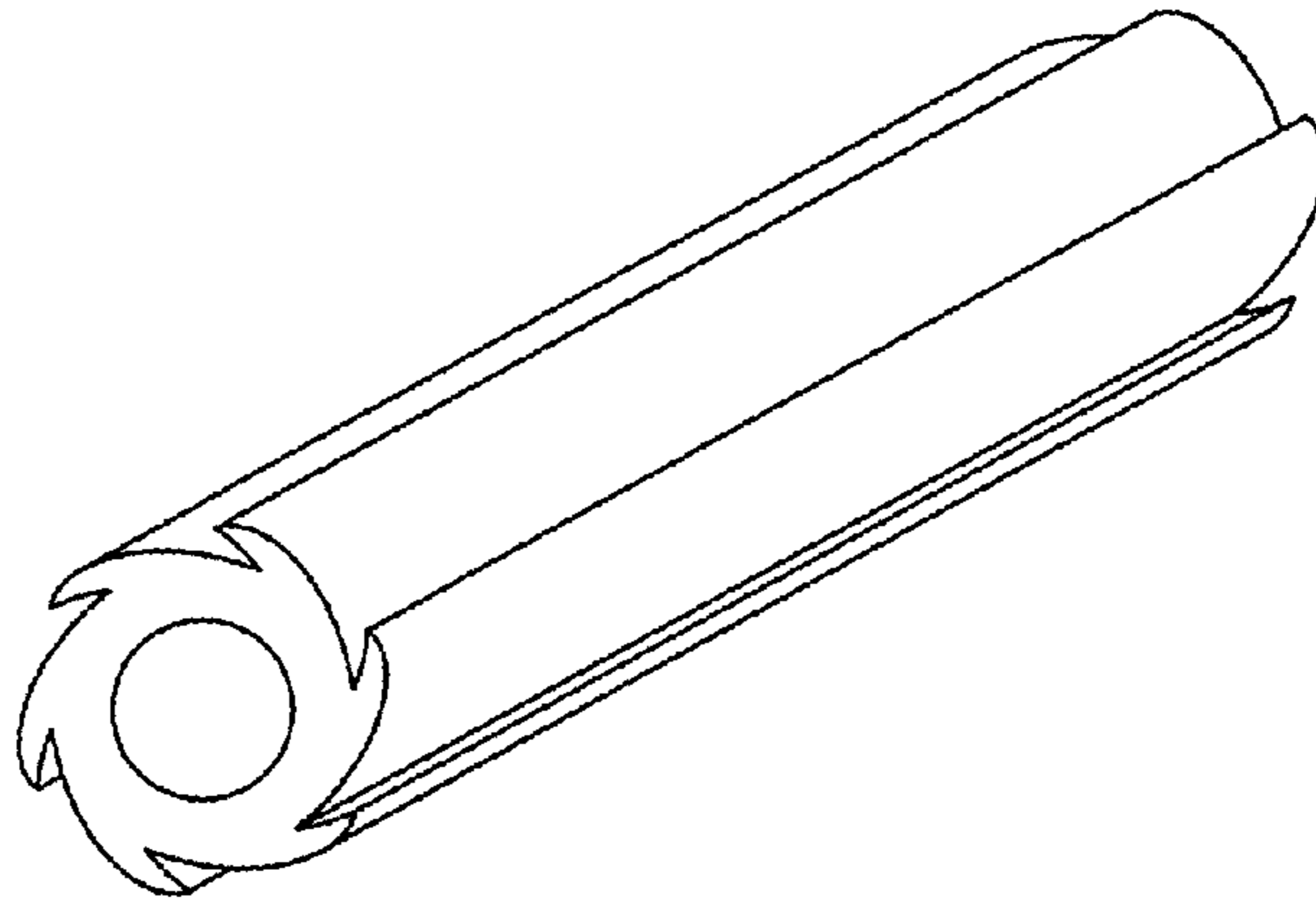


FIG. 16

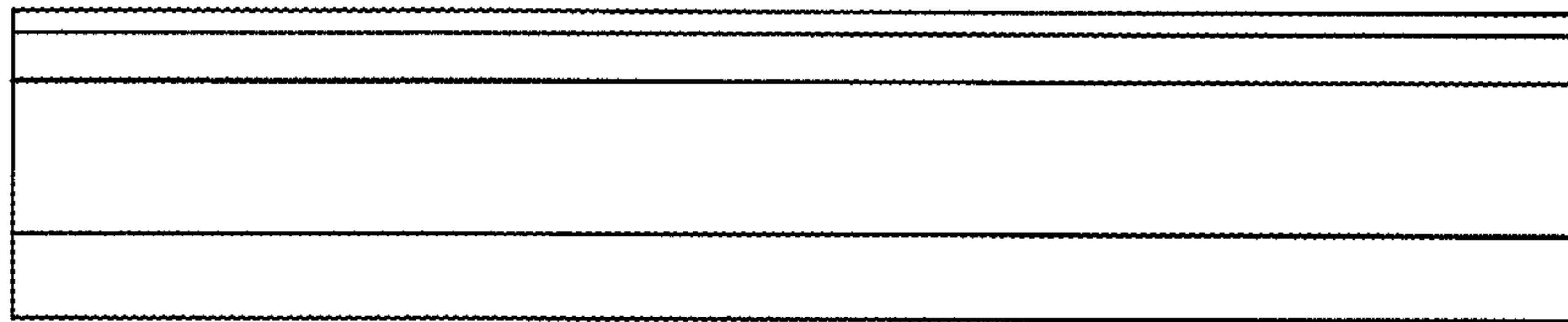


FIG. 17

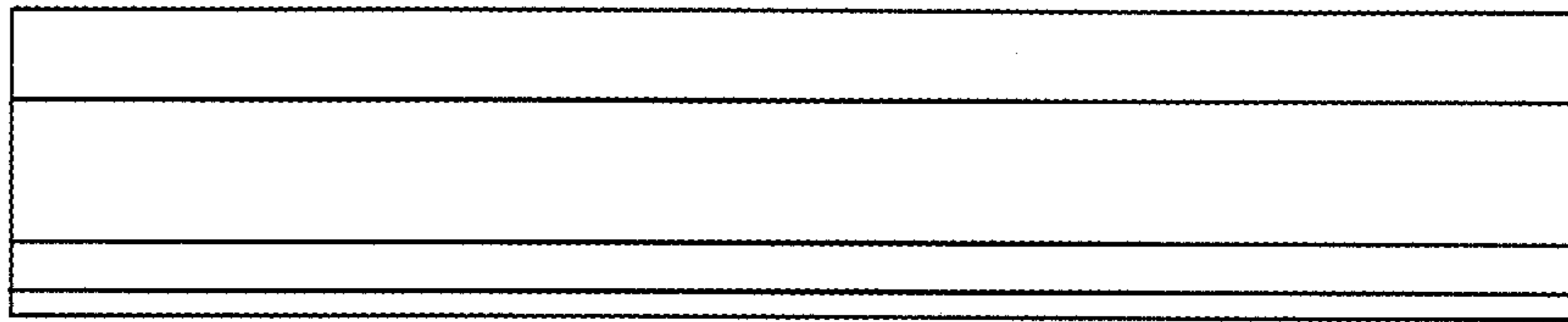


FIG. 18



FIG. 19

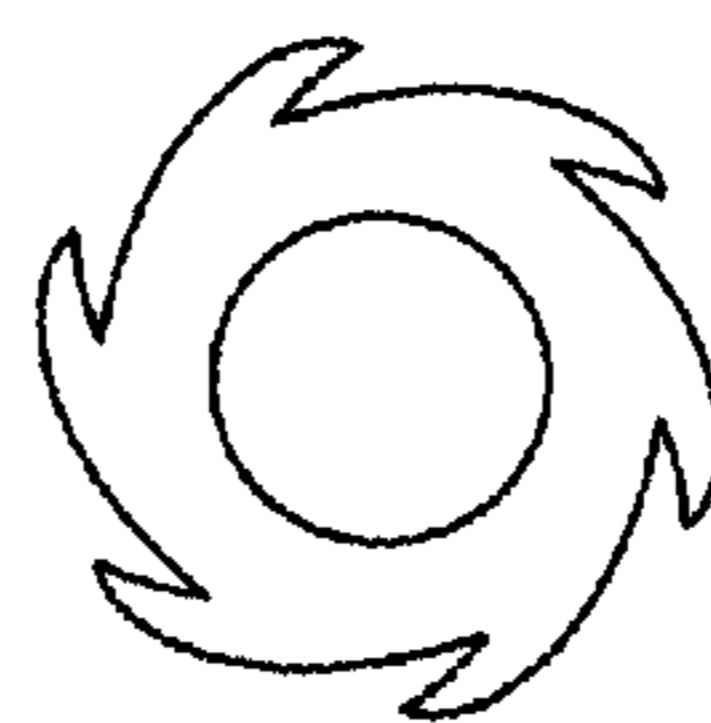


FIG. 20

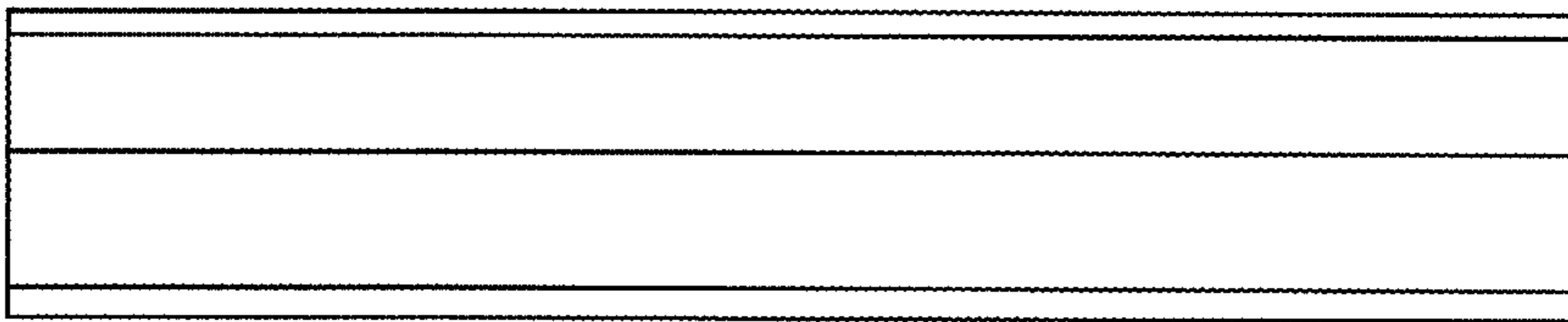


FIG. 21

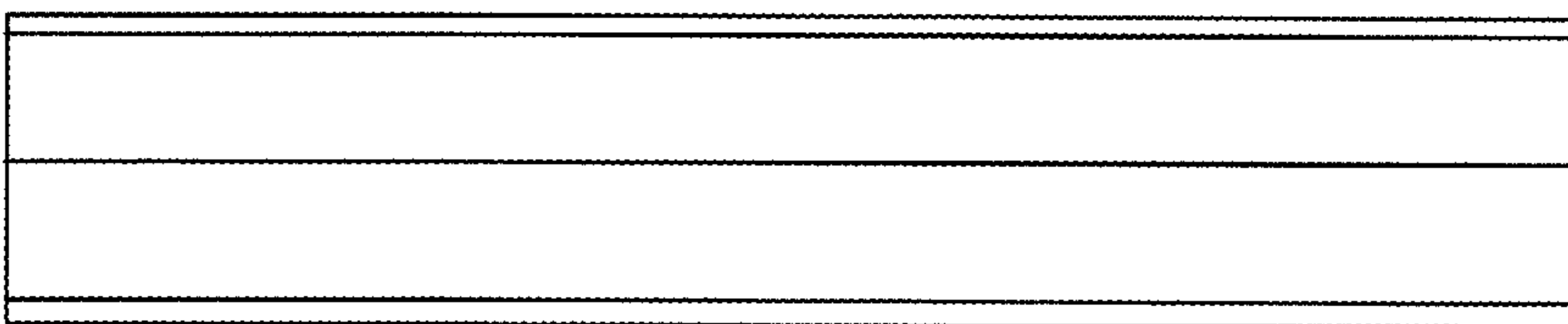


FIG. 22

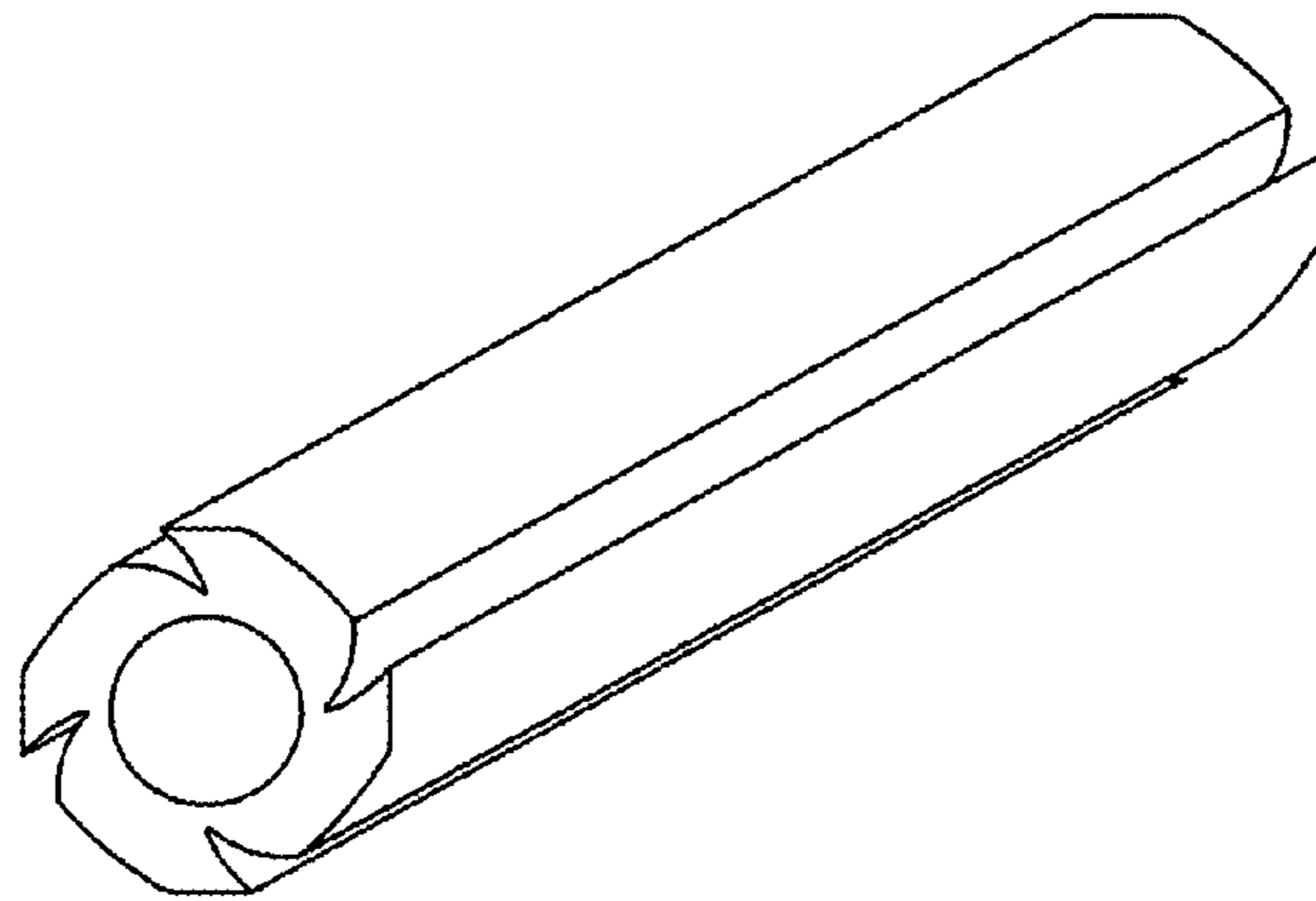


FIG. 23

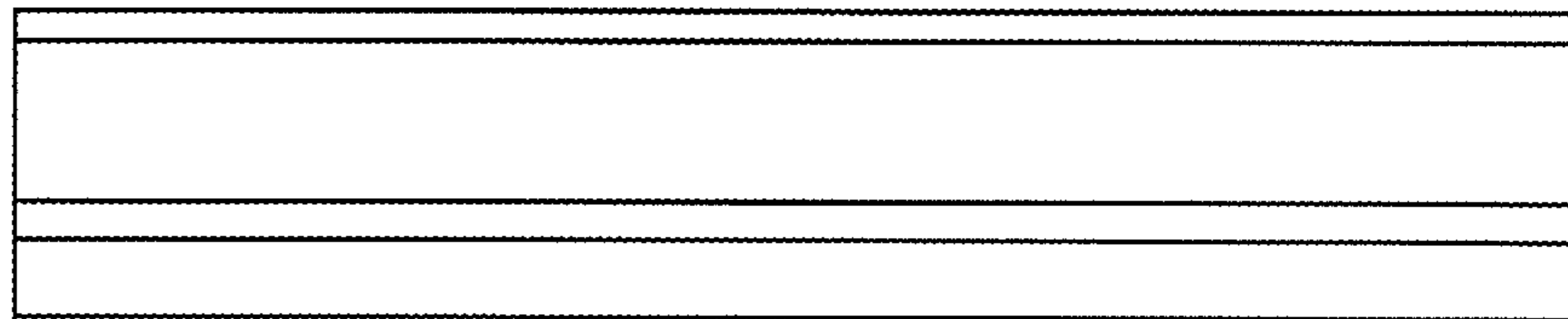


FIG. 24

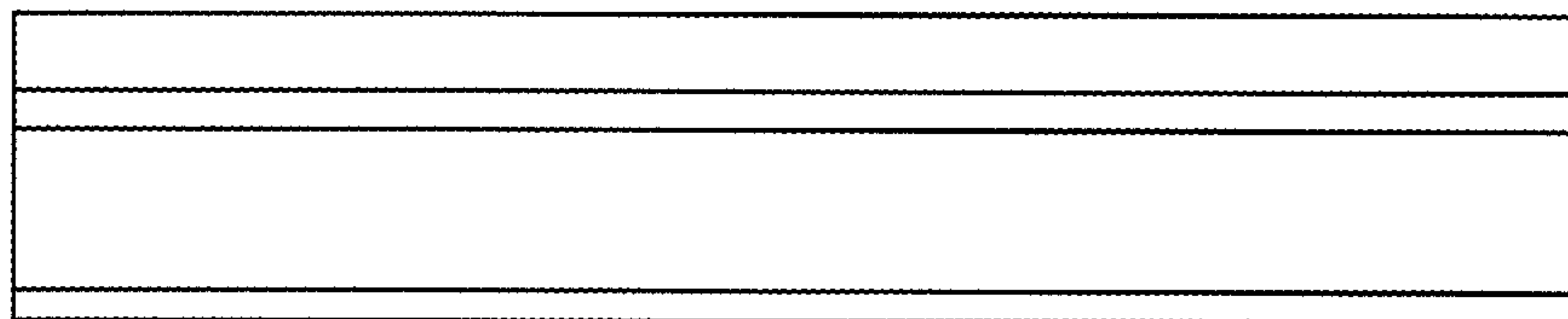


FIG. 25

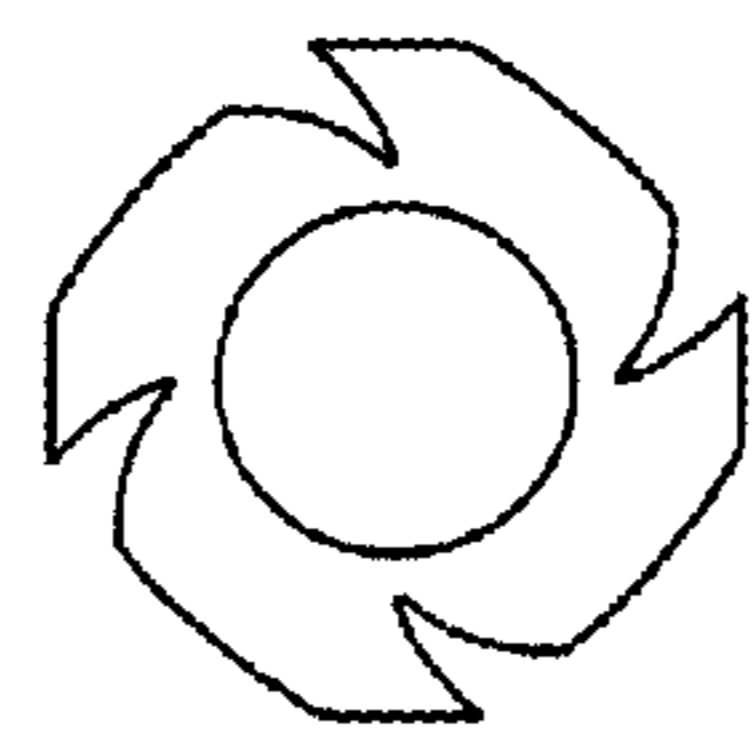


FIG. 26

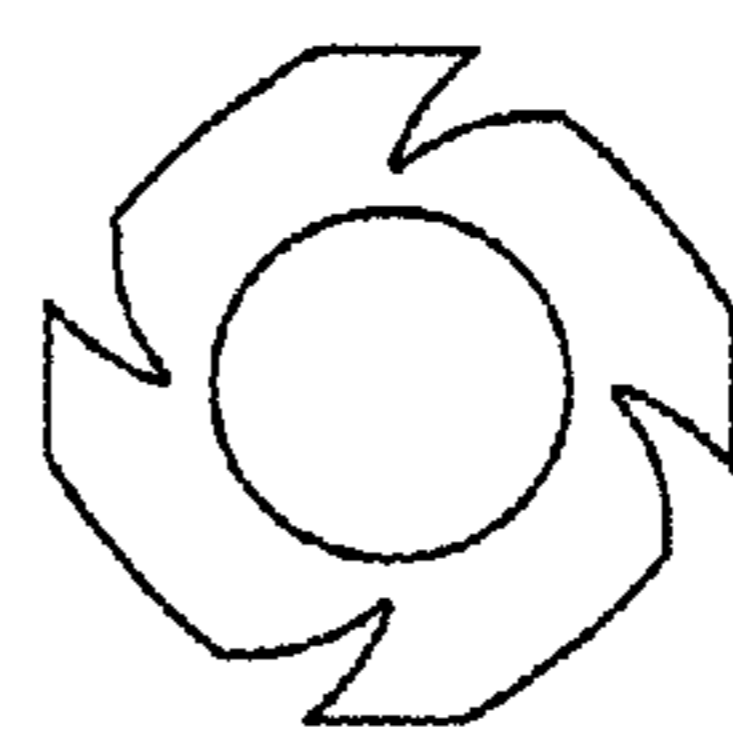


FIG. 27

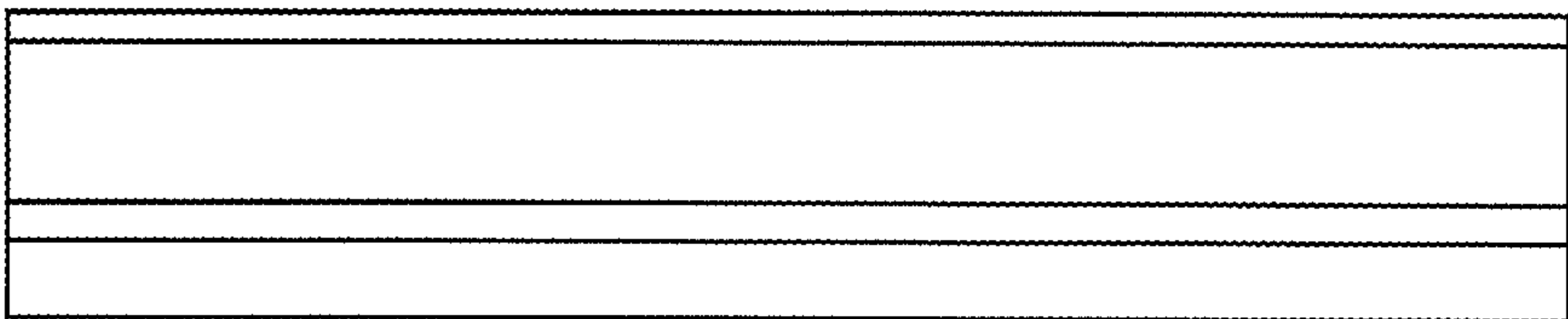


FIG. 28

