



US00D775449S

(12) **United States Design Patent** (10) **Patent No.:** **US D775,449 S**  
**Babel et al.** (45) **Date of Patent:** **\*\* Dec. 27, 2016**

(54) **VEHICLE HANDHOLD ELEMENT**

FOREIGN PATENT DOCUMENTS

(71) Applicant: **Crown Equipment Corporation**, New Bremen, OH (US)

EP 943976 A2 10/1995  
EP 947906 B1 10/1995

(Continued)

(72) Inventors: **Christoph Babel**, Tuerkenfeld (DE);  
**James V. Kraimer**, Haimhausen (DE)

*Primary Examiner* — Darlington Ly  
(74) *Attorney, Agent, or Firm* — Stevens & Showalter, LLP

(73) Assignee: **Crown Equipment Corporation**, New Bremen, OH (US)

(57) **CLAIM**

(\*\*) Term: **14 Years**

The ornamental design for a vehicle handhold element, as shown and described.

(21) Appl. No.: **29/516,874**

**DESCRIPTION**

(22) Filed: **Feb. 6, 2015**

(51) **LOC (10) Cl.** ..... **12-05**

(52) **U.S. Cl.**  
USPC ..... **D34/35**; D15/28; D12/177

(58) **Field of Classification Search**  
USPC ..... D12/174, 179; D14/412, 413, 415, 416;  
D15/11, 17, 18, 21, 28; D34/28, 34, 35;  
187/222, 224; 280/43.12  
CPC ..... B60K 26/02; E02F 3/7663; E02F 9/2004;  
G05G 1/06; G05G 9/047; G05G 9/04788  
See application file for complete search history.

FIG. 1 is a perspective view of a portion of an armrest on a materials handling vehicle including a first embodiment of the handhold element taken from the back left of the armrest; FIG. 2 is a right side elevational of the handhold element of FIG. 1; FIG. 3 is a left side elevational view thereof; FIG. 4 is a rear elevational view thereof; FIG. 5 is a front elevational view thereof; and FIG. 6 is a top plan view thereof; FIG. 7 is a perspective view of a portion of an armrest on a materials handling vehicle including a second embodiment of the handhold element taken from the back left of the armrest; FIG. 8 is a right side elevational of the handhold element of FIG. 7; FIG. 9 is a left side elevational view thereof; FIG. 10 is a rear elevational view thereof; FIG. 11 is a front elevational view thereof; and, FIG. 12 is a top plan view thereof.

The broken line showings in the figures that illustrate a portion of an armrest of a materials handling vehicle are provided for the purpose of illustrating environmental structure and form no part of the claimed design.

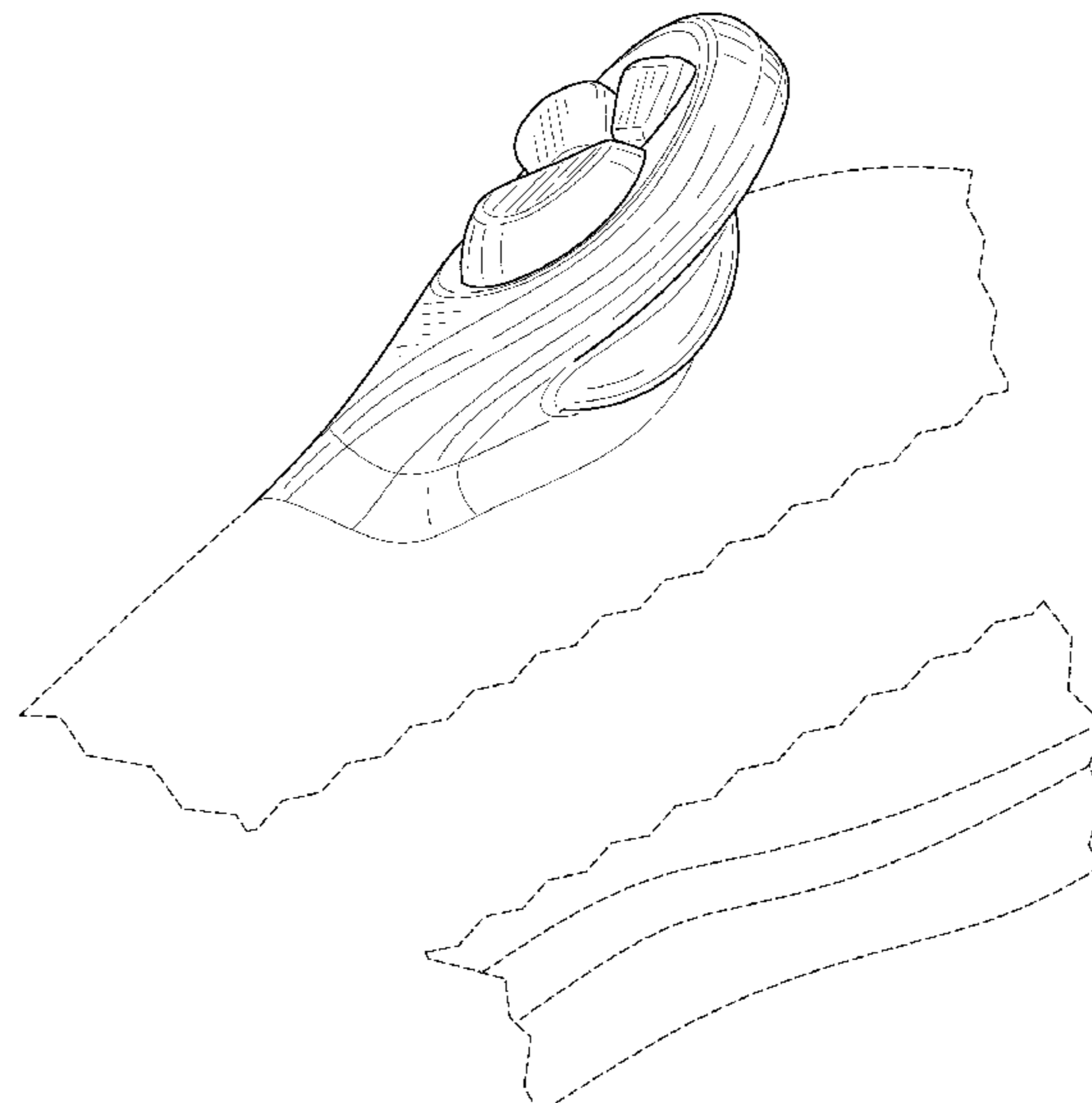
(56) **References Cited**

U.S. PATENT DOCUMENTS

4,738,417 A 4/1988 Wenger  
D296,204 S \* 6/1988 Wooldridge ..... D12/177  
4,862,165 A 8/1989 Gart  
4,895,040 A 1/1990 Soederberg  
D309,051 S 7/1990 Laatsch  
4,997,054 A 3/1991 Denny et al.  
D336,713 S 6/1993 Avitan et al.  
D365,576 S \* 12/1995 Butkovich ..... D12/179  
D405,581 S \* 2/1999 Henshaw ..... D34/35  
D419,570 S \* 1/2000 Blondeel ..... D12/179  
6,112,612 A 9/2000 Seksaria et al.

(Continued)

**1 Claim, 8 Drawing Sheets**



(56)

References Cited

U.S. PATENT DOCUMENTS

6,152,676 A 11/2000 Evert et al.  
 6,564,896 B1 5/2003 Proksch et al.  
 6,971,194 B2 12/2005 McClelland et al.  
 D515,770 S 2/2006 Ryan et al.  
 D516,096 S \* 2/2006 Bergman ..... D15/28  
 7,010,404 B2 3/2006 Ichijo et al.  
 D526,109 S \* 8/2006 Bergman ..... D14/415  
 D526,757 S \* 8/2006 Bergman ..... D14/415  
 D536,153 S 1/2007 Niebuhr et al.  
 7,204,338 B2 4/2007 Katae et al.  
 7,347,299 B2 3/2008 Billger et al.  
 7,350,866 B2 4/2008 Billger et al.  
 D575,924 S 8/2008 Niebuhr  
 7,497,298 B2 3/2009 Shearer et al.  
 7,520,567 B2 4/2009 Billger et al.  
 D598,023 S 8/2009 Miller et al.  
 7,635,045 B2 12/2009 Shearer et al.  
 D613,217 S \* 4/2010 Schowalter ..... D12/177  
 7,712,571 B2 5/2010 Proud et al.  
 7,775,317 B1 8/2010 Goodwin et al.  
 D624,028 S \* 9/2010 Stamate ..... D13/162  
 D628,216 S \* 11/2010 Ulbrich ..... D15/28

D634,248 S \* 3/2011 Chen ..... D12/177  
 D635,155 S \* 3/2011 Blind ..... D15/28  
 D663,913 S \* 7/2012 Alder ..... D34/35  
 8,212,770 B2 \* 7/2012 Obourn ..... G05G 9/047  
 345/156  
 D671,565 S \* 11/2012 Kinoshita ..... D15/28  
 8,434,562 B2 5/2013 Miyasaka et al.  
 D695,792 S 12/2013 Jensen  
 D723,033 S \* 2/2015 Hooek ..... D14/412  
 D725,681 S \* 3/2015 Bonneau ..... D15/28  
 D728,573 S \* 5/2015 Deng ..... D14/409  
 D728,634 S \* 5/2015 Alpsten ..... D15/28  
 D731,372 S \* 6/2015 Young ..... D12/177  
 D741,863 S \* 10/2015 Hooek ..... D14/413  
 D749,647 S \* 2/2016 Inaoka ..... D15/28  
 D759,731 S \* 6/2016 Roemer ..... D15/28  
 2005/0034549 A1 2/2005 Brand

FOREIGN PATENT DOCUMENTS

EP 712062 B1 5/1996  
 EP 1238940 A2 3/2002  
 EP 2511224 B1 3/2012

\* cited by examiner



FIG. 1

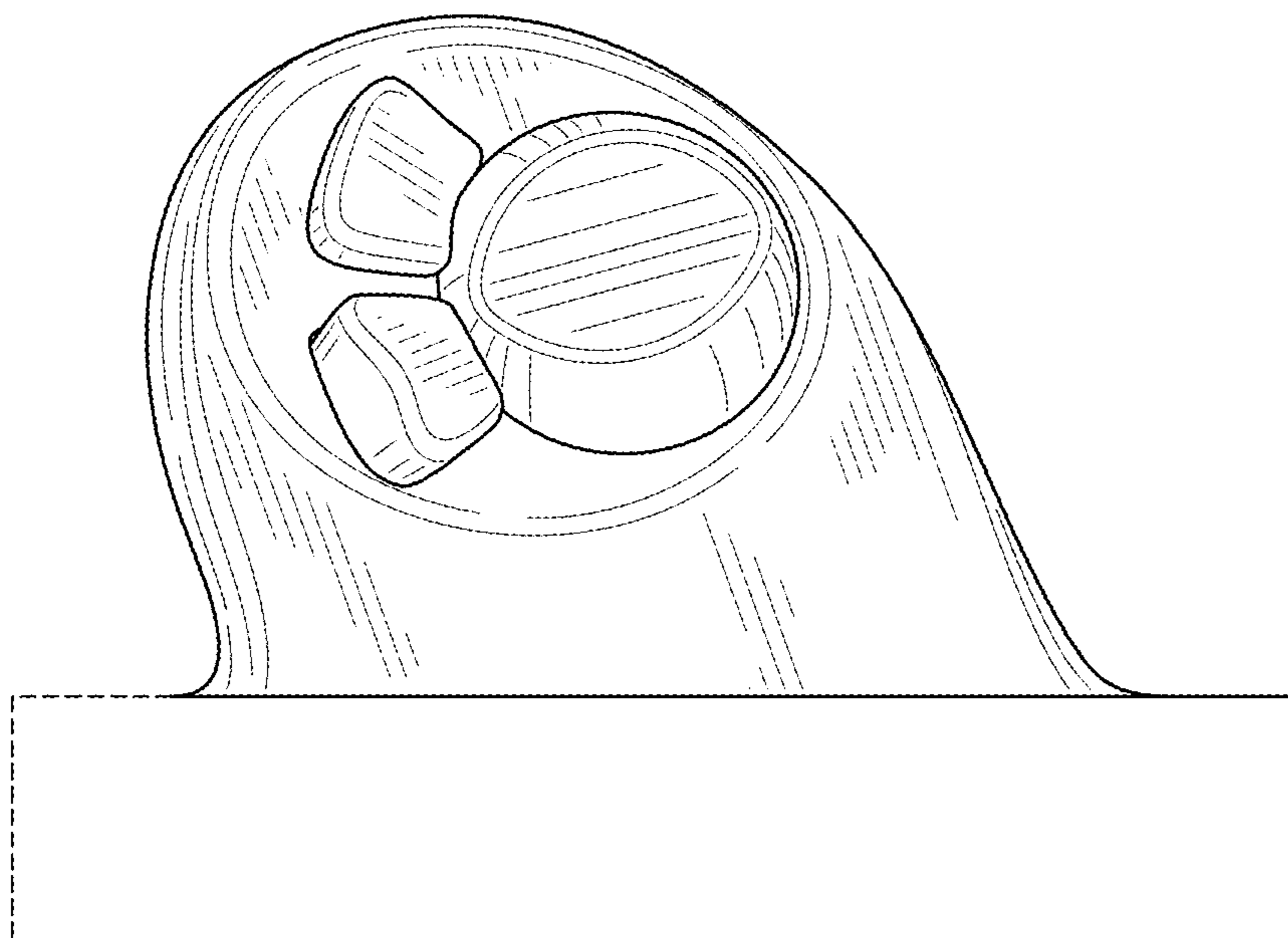


FIG. 2

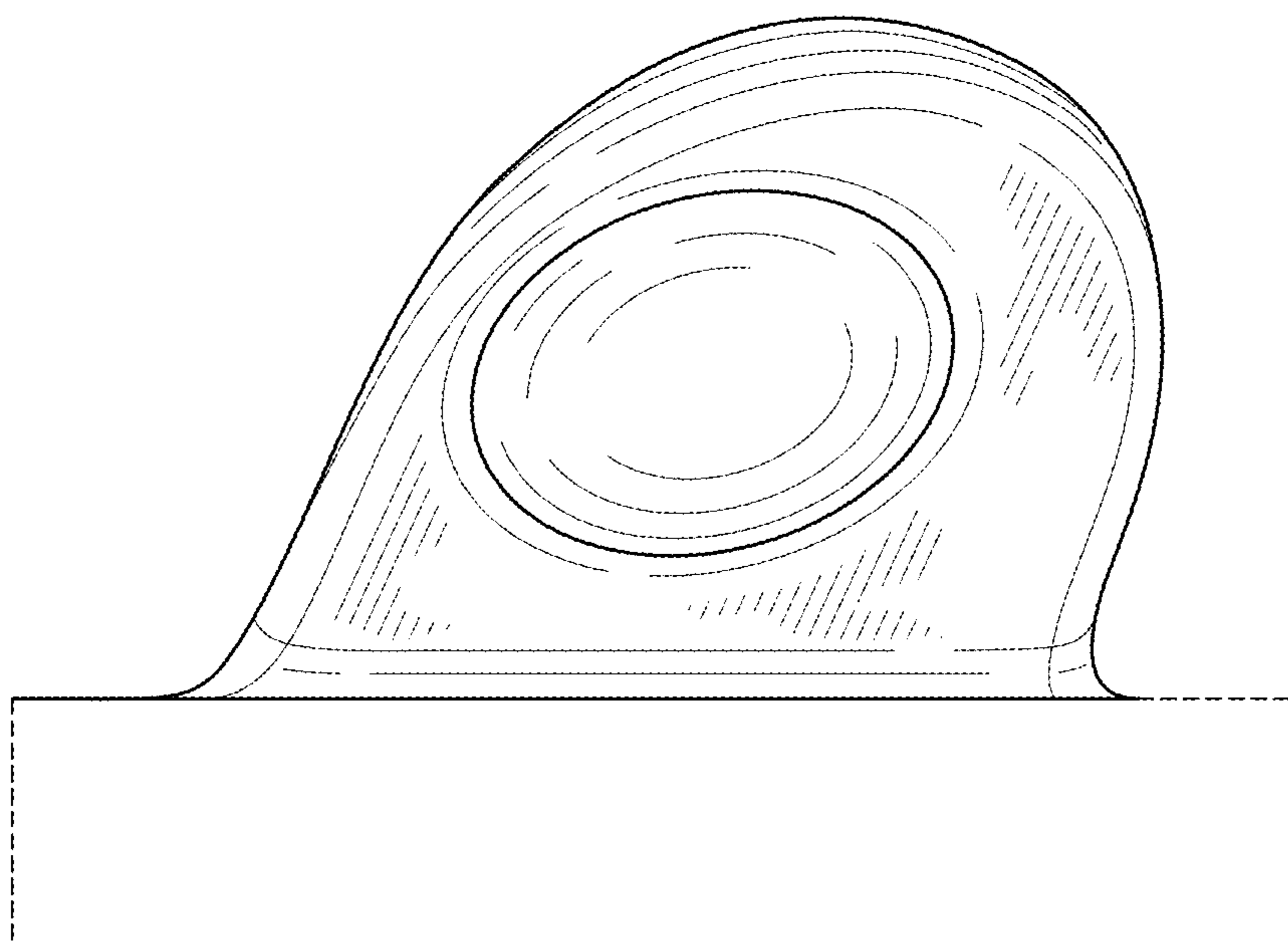


FIG. 3

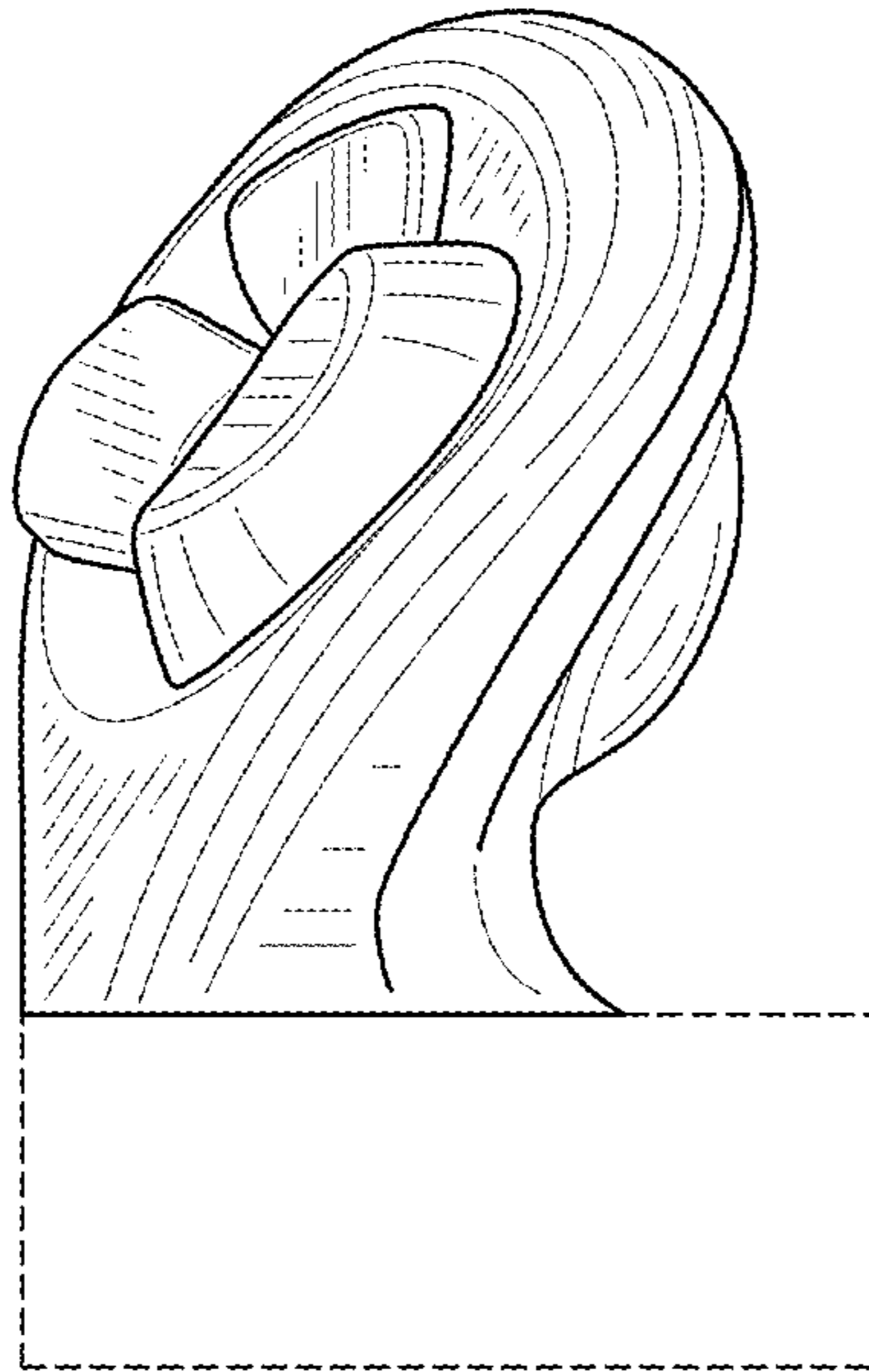


FIG. 4

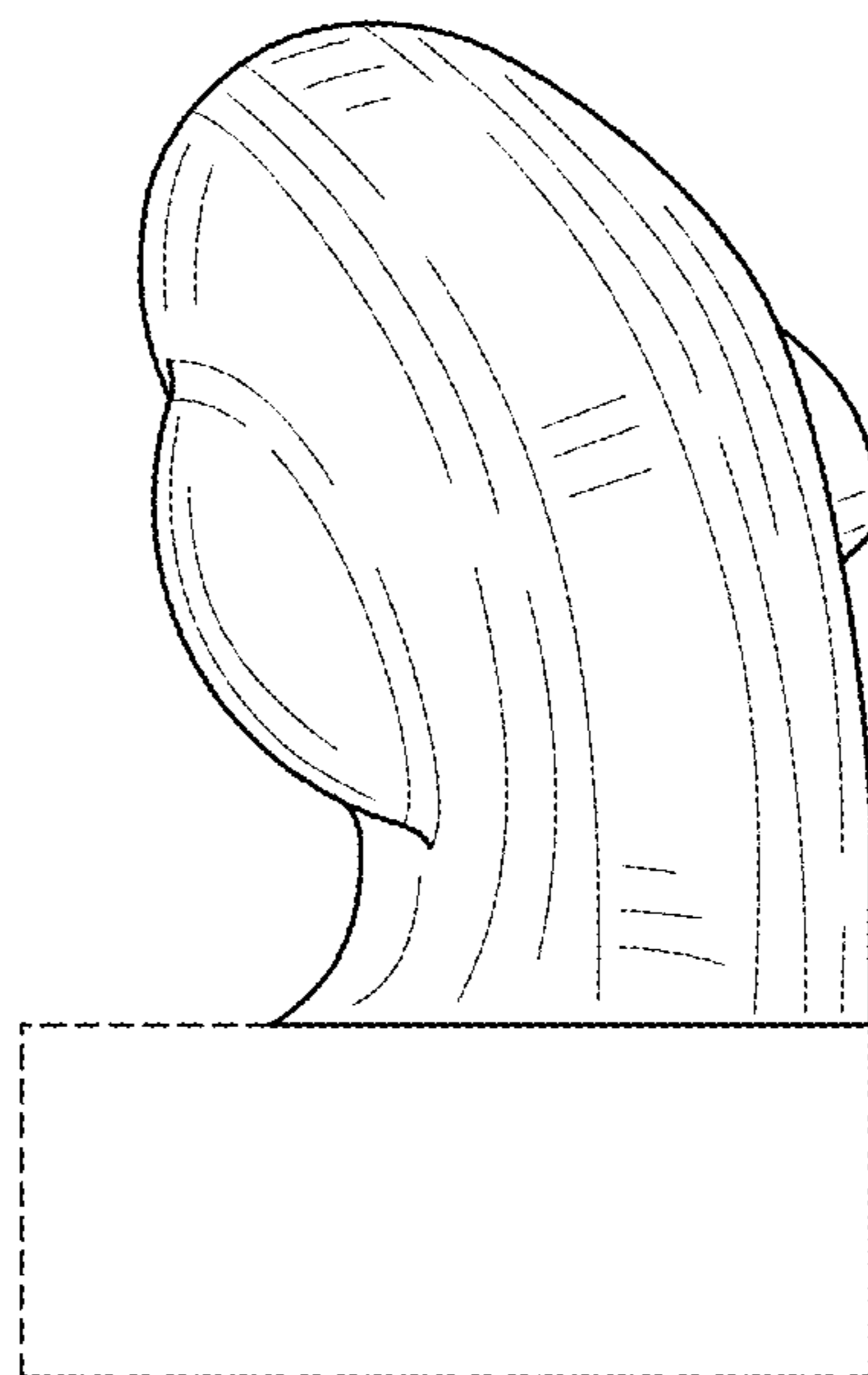


FIG. 5

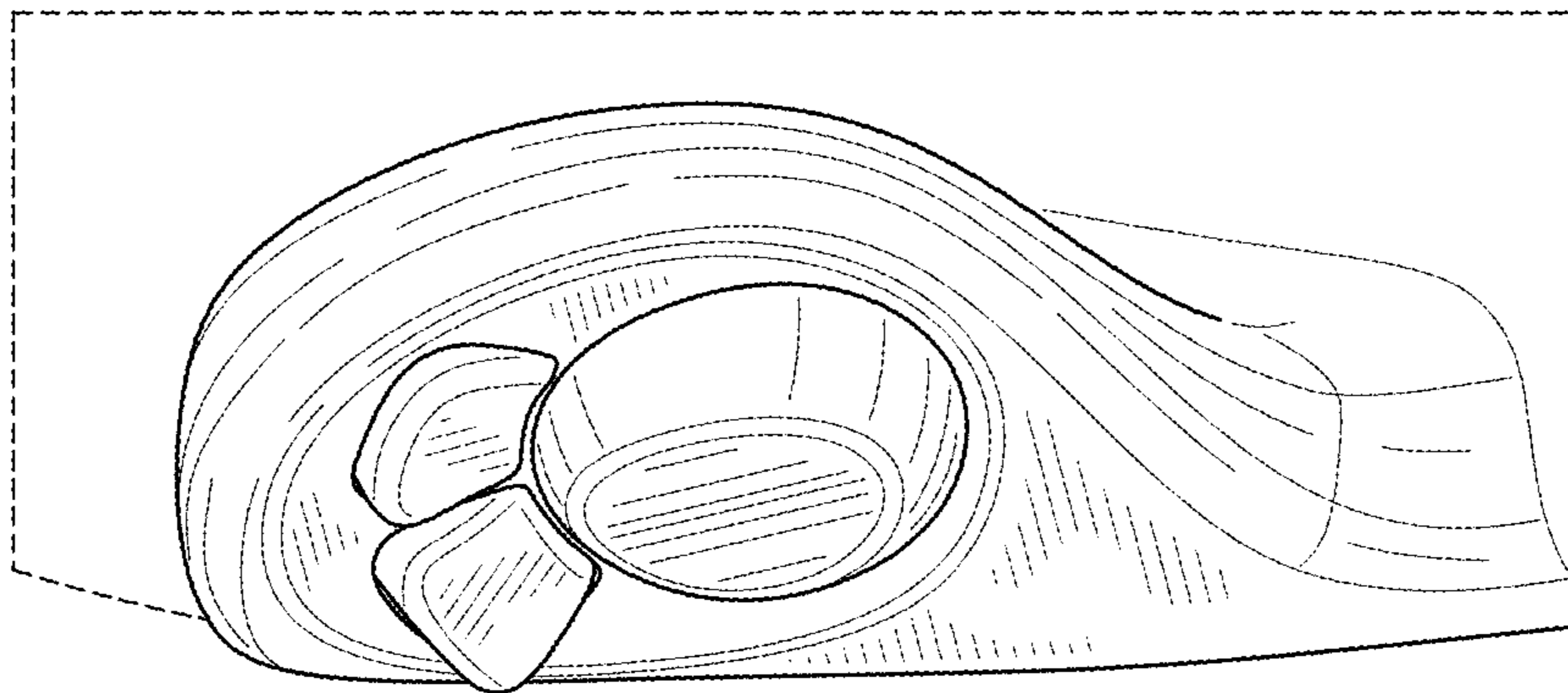


FIG. 6



FIG. 7

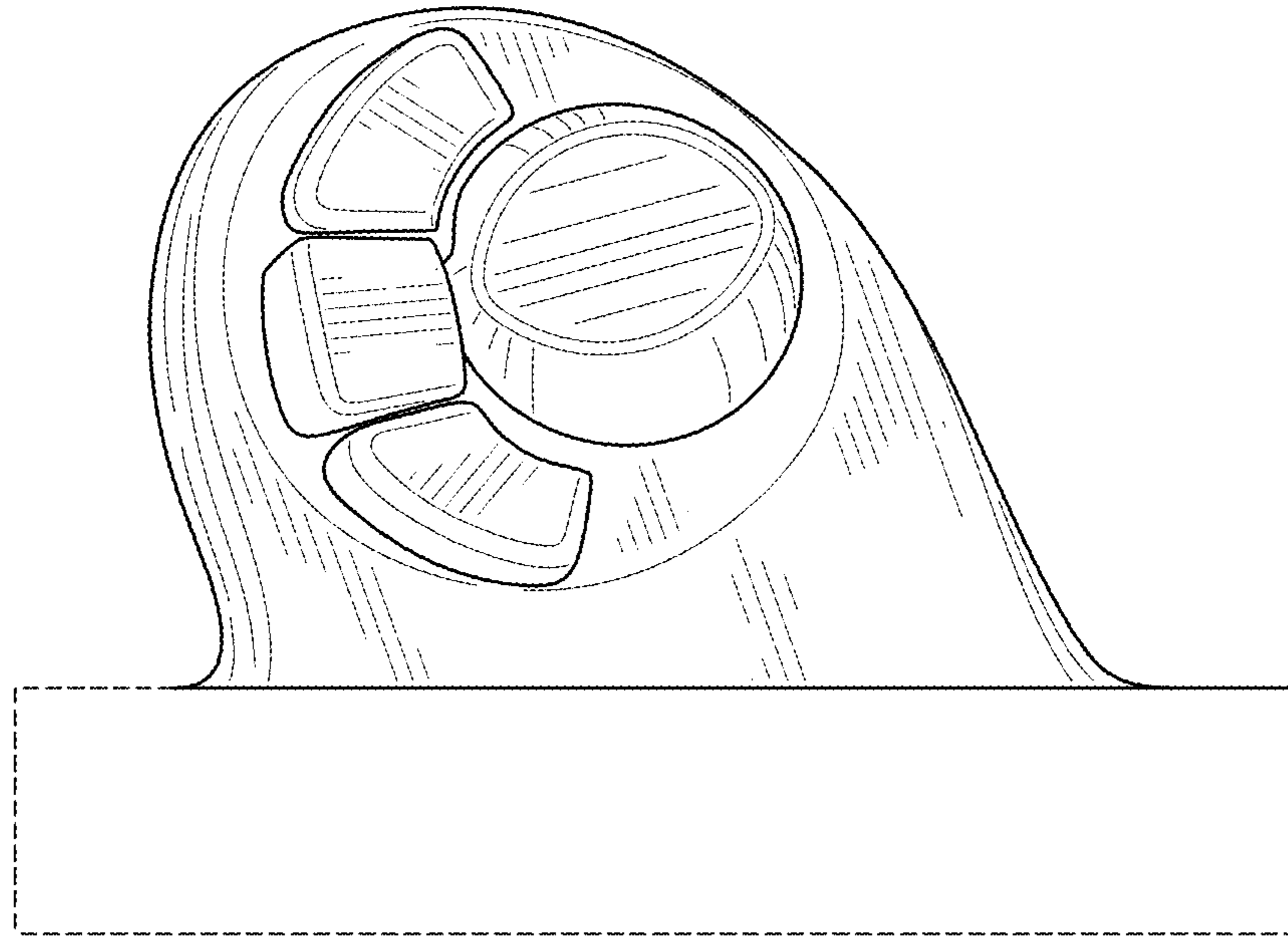


FIG. 8

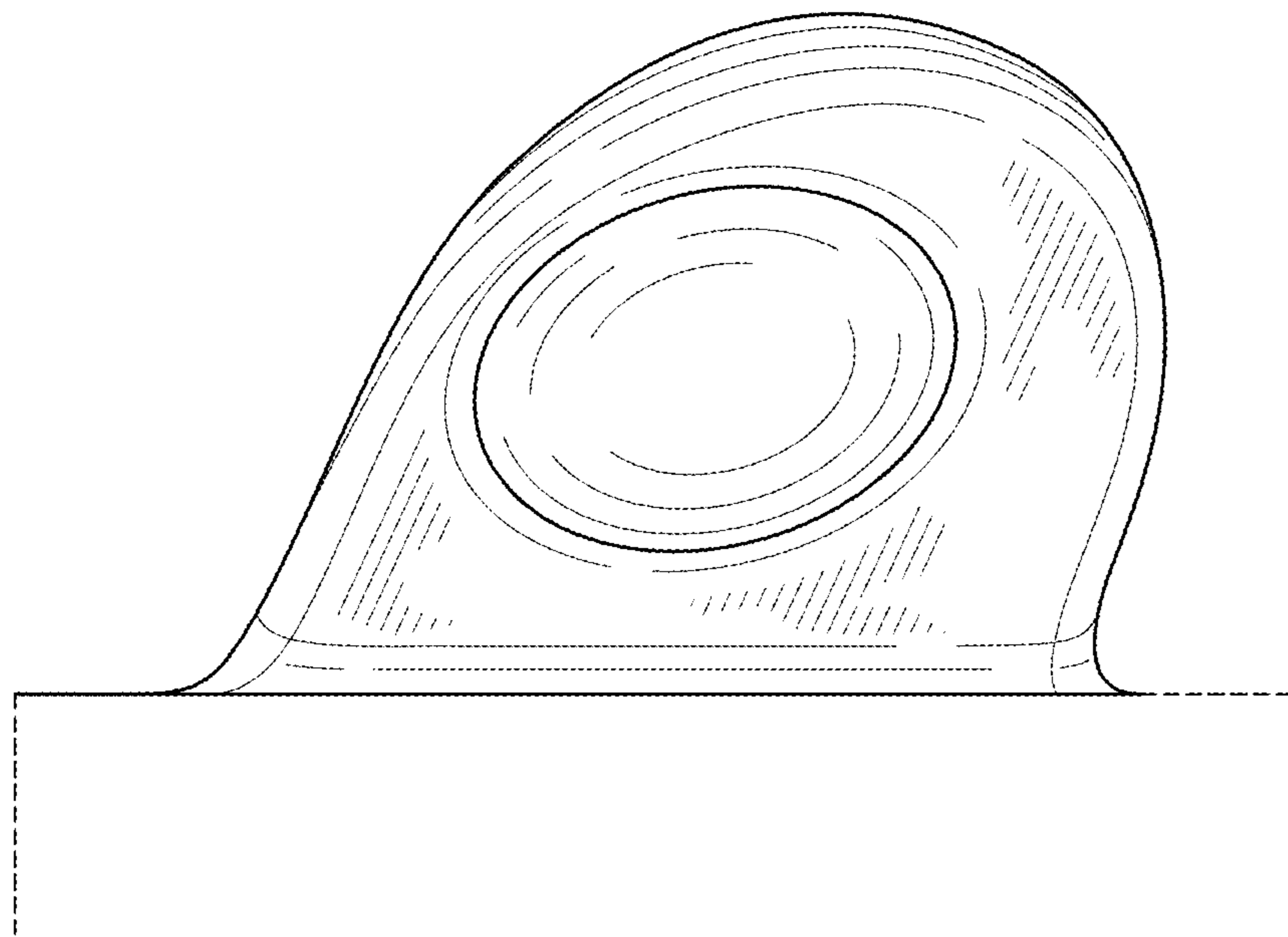


FIG. 9



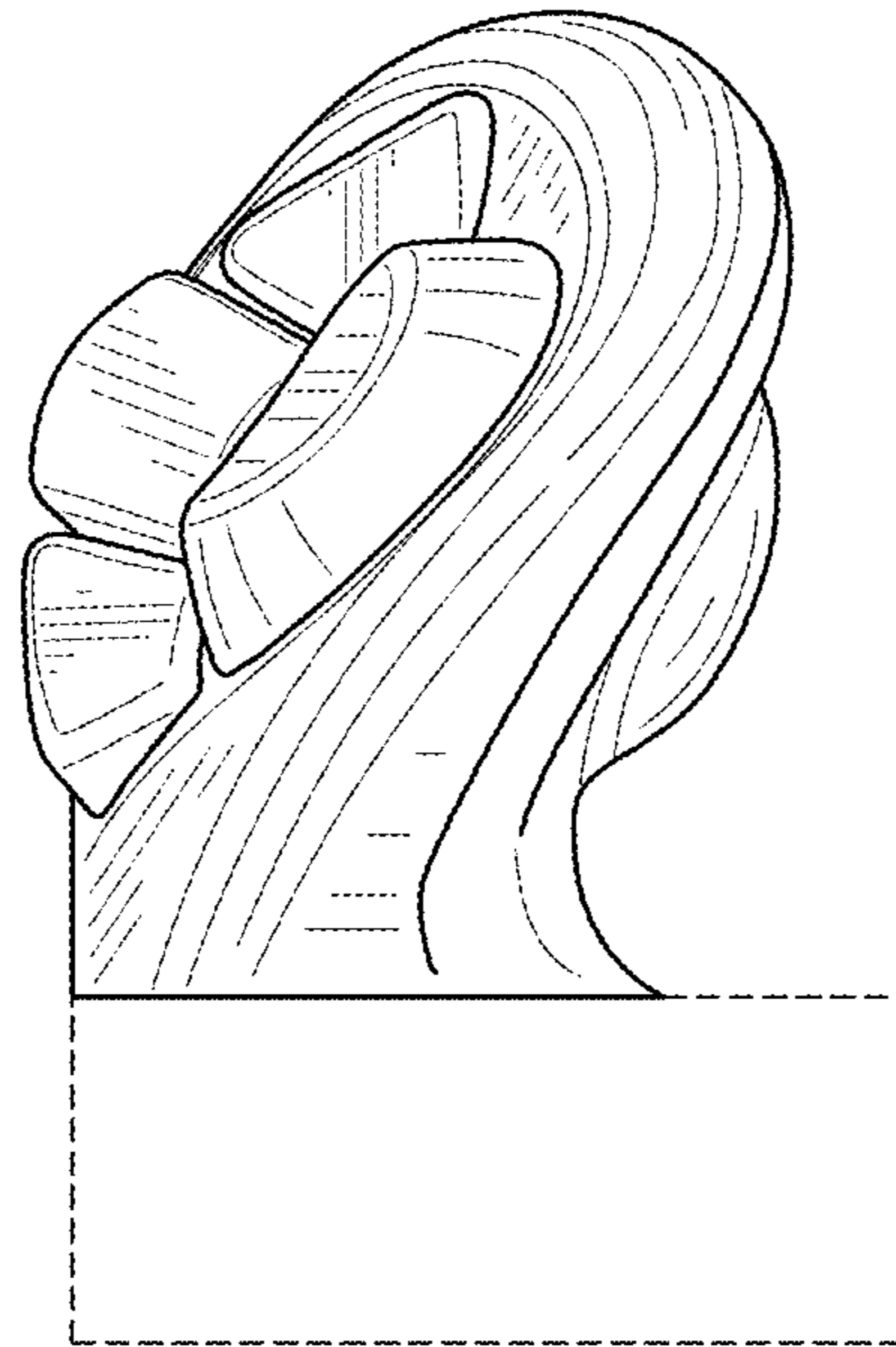


FIG. 10

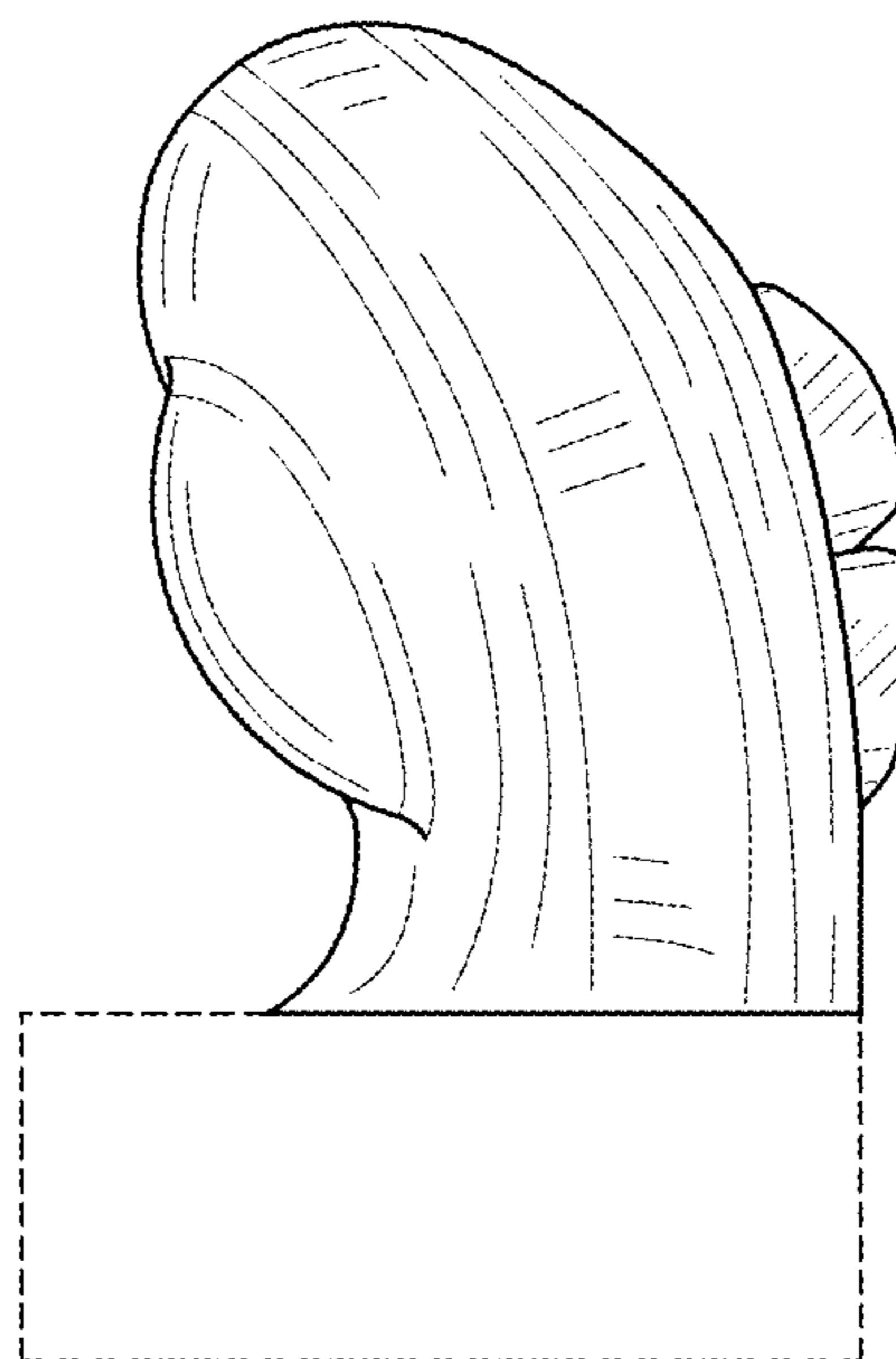


FIG. 11

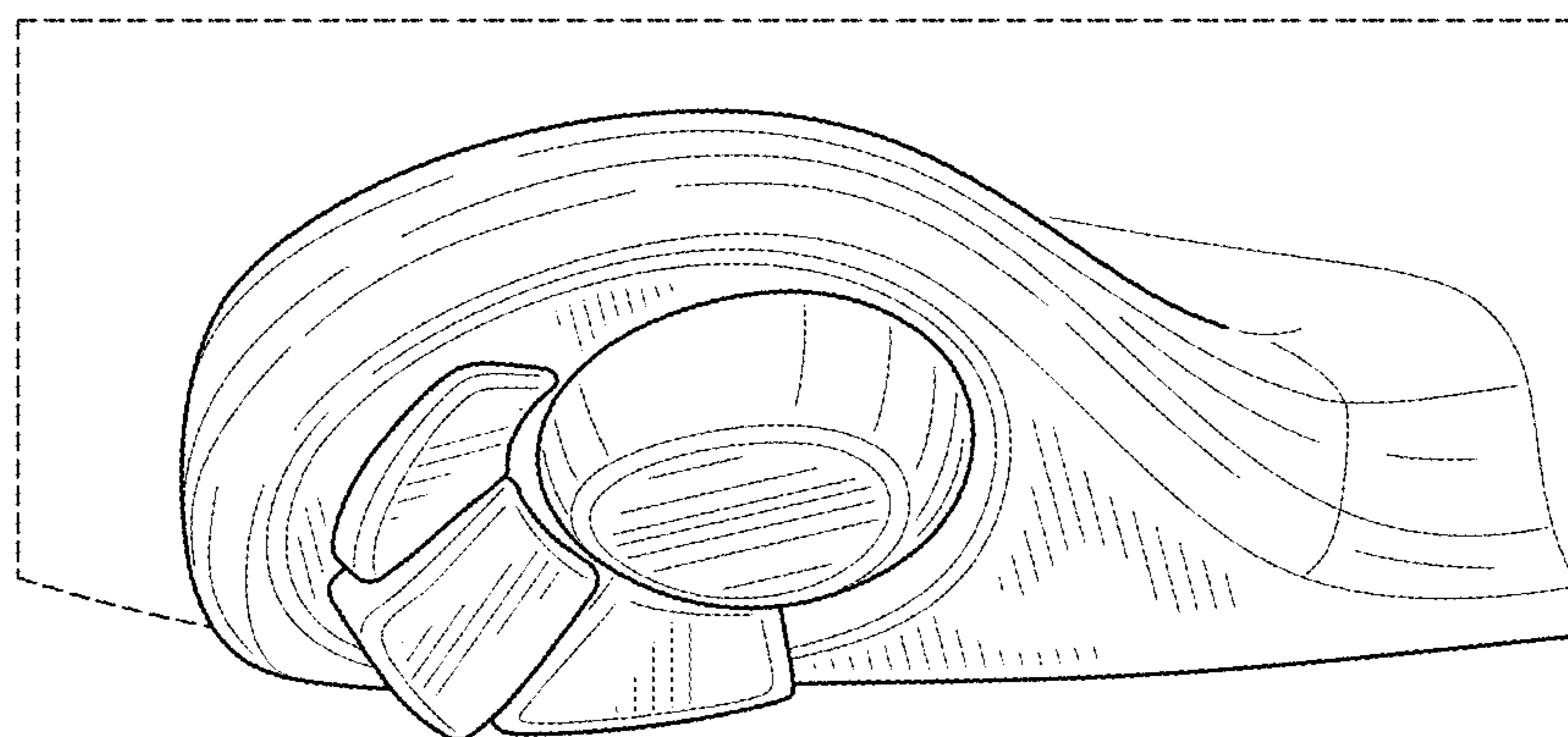


FIG. 12