



US00D775448S

(12) **United States Design Patent** (10) **Patent No.:** **US D775,448 S**
Fretz (45) **Date of Patent:** **** Dec. 27, 2016**

(54) **DRILL WINCH**
(71) Applicant: **Warn Industries, Inc.**, Clackamas, OR
(US)
(72) Inventor: **Darren G. Fretz**, Oregon City, OR
(US)
(73) Assignee: **Warn Industries, Inc.**, Clackamas, OR
(US)

D550,720 S * 9/2007 Geisler et al. D34/33
7,278,808 B1 10/2007 Sisk, Sr. et al.
7,357,612 B1 4/2008 Paul
7,410,336 B2 * 8/2008 Parks 410/156
7,588,109 B2 9/2009 Wachendorf et al.
7,789,375 B2 9/2010 Ying
D682,073 S * 5/2013 Payne D8/359
D703,414 S * 4/2014 Fretz et al. D34/33
D708,303 S * 7/2014 Gehrling D23/233

(Continued)

(**) Term: **14 Years**

(21) Appl. No.: **29/485,088**

(22) Filed: **Mar. 14, 2014**

(51) **LOC (10) Cl.** **12-05**

(52) **U.S. Cl.**
USPC **D34/33; D8/70**

(58) **Field of Classification Search**
USPC D8/14.1, 61–70, 359, 394; 81/429,
81/454–456, 469, 489; 173/104, 114,
173/168–171, 178, 201, 211, 213, 217;
408/20, 408/124, 125, 234; 388/809;
D34/33; D23/233
CPC B66D 1/02; B66D 1/12; B66D 1/14;
B25F 3/00

See application file for complete search history.

(56) **References Cited**

U.S. PATENT DOCUMENTS

D322,557 S * 12/1991 Cummings D8/394
D348,758 S * 7/1994 Lichtenvort D34/33
5,572,905 A 11/1996 Cook, Jr.
5,595,251 A 1/1997 Cook, Jr.
5,775,186 A 7/1998 Rahm
6,467,755 B2 * 10/2002 Reilly et al. 254/223
6,705,597 B1 * 3/2004 Reilly et al. 254/223
D489,157 S * 4/2004 Lawson D34/33
D513,650 S * 1/2006 Elliott D34/33

OTHER PUBLICATIONS

“Warn Pullzall: The Come-Along Killer.” Four Wheeler Network.,
Oct. 1, 2008 [online], [retrieved on Jun. 20, 2016]. Retrieved from
the Internet <URL: <http://www.fourwheeler.com/product-reviews/129-0810-new-warn-pullzall-winch/>>.*

(Continued)

Primary Examiner — Darlington Ly

(74) *Attorney, Agent, or Firm* — Alleman Hall McCoy
Russell & Tuttle LLP

(57) **CLAIM**

The ornamental design for a drill winch, as shown and
described.

DESCRIPTION

FIG. 1 is a perspective view of a drill winch according to the
present disclosure.

FIG. 2 is a front view of the drill winch of FIG. 1.

FIG. 3 is a back view of the drill winch of FIG. 1.

FIG. 4 is a left view of the drill winch of FIG. 1.

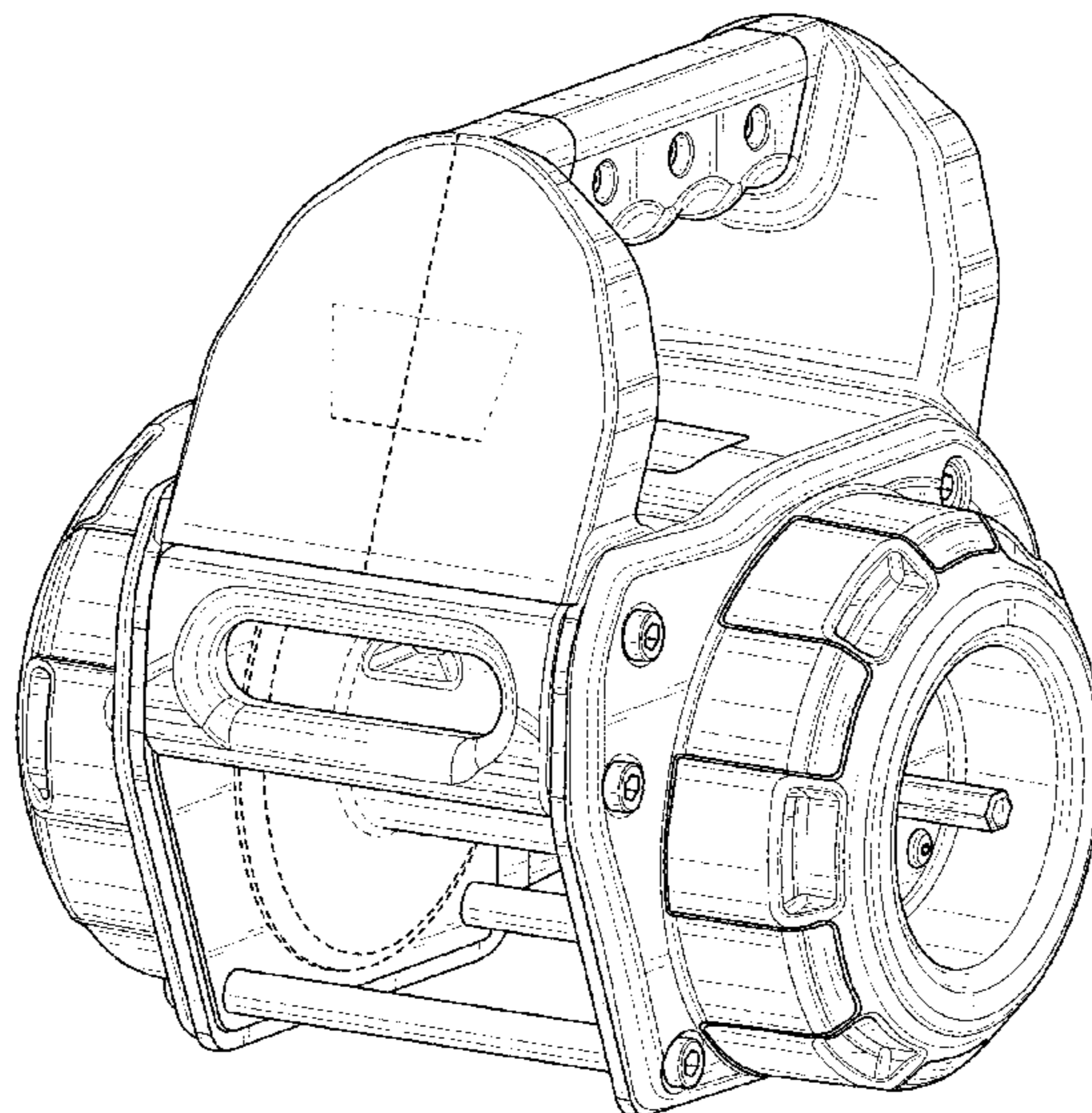
FIG. 5 is a right view of the drill winch of FIG. 1.

FIG. 6 is a top view of the drill winch of FIG. 1; and,

FIG. 7 is a bottom view of the drill winch of FIG. 1.

The broken lines in the drawings illustrate portions of the
drill winch that forms no part of the claimed design.

1 Claim, 7 Drawing Sheets



(56)

References Cited

U.S. PATENT DOCUMENTS

2011/0079967 A1* 4/2011 Presley 279/145
 2014/0001427 A1* 1/2014 Fretz et al. 254/342

OTHER PUBLICATIONS

Springer, Michael. "Warn Cordless PullzAll—This portable winch can pull or hoist up to 1,000 pounds." *Tools of the Trade.*, Apr. 12, 2014 [online], [retrieved on Jun. 20, 2016]. Retrieved from the Internet <URL: http://www.toolsofthetrade.net/jobsite-equipment/warn-cordless-pullzall_o.aspx>.*

"Multipurpose and Portable Winch." *Pulley Man.*, Jun. 27, 2014 [online], [retrieved on Jun. 20, 2016]. Retrieved from the Internet <URL: http://www.huchez.fr/images/articles/pdf_uk/Notice_Pulley-man_GB.pdf>.*

DPX Systems Pick Up Winch Loading Motorcycle, DPX Systems, Available at: <http://www.dpxsystems.com/dpx-systems-pick-up-winch-loading-motorcycle/>, Accessed Jul. 15, 2013, 2 pages.

DBI Sala, Manual for Digital Winch Product Number. SDB8518559, available as early as Jan. 1, 2006, 24 pages.

"Pulleyman USA: Features," *Pulleyman USA Website*, Available Online at www.pulleymanusa.com/features.html, Available as Early as May 2, 2008, 2 pages.

"Using a ½ Inch Drill to Raise and Lower Your Tower," *WDOM's Home Page Website*, Available Online at www.wdom.com/winchadapter.html, Available as Early as Sep. 30, 2008, 3 pages.

"GRCS: Good Rigging Control System Lowering Device," *WesSpur Tree Equipment, Inc. Website*, Available Online at www.wesspur.com/good-rigging-control-system/good-rigging-control-system.html, Available as Early as Jul. 27, 2009.

"4-Point Hard Top Lift," *JK Forum Website*, Available Online at www.jk-forum.com/forums/jk-write-ups-39/4-point-hard-top-lift-103806/, Oct. 2, 2009, 6 pages.

"2000 Lb. Capacity Geared Winch," *Harbor Freight Tools Website*, Available Online at www.harborfreight.com/2000-lb-capacity-geared-winch-5798.html, Available as Early as Jun. 27, 2010, 2 pages.

"Winches For Your Garage," *Garage Cabinets Sense Website*, Available Online at www.garagecabinetsense.com/winches-for-your-garage/, Available as Early as Jul. 6, 2010, 3 pages.

"Re: 12 Volt Winch on Feeder?," *Texas Hunting Forum Website*, Available Online at http://texashuntingforum.com/forum/ubbthreads.php/topics/1550093/Re_12_volt_winch_on_feeder, Jul. 23, 2010, 4 pages.

"Drill Drive Winch System Model 1055 for Panellift(R)," *Contractors Solutions Website*, Available Online at www.contractors-solutions.net/Drill-Drive-Model-1055-for-Panellift-P495.aspx, Available as Early as Jun. 30, 2011, 2 pages.

"Battery Baby Winch—Chizong Machine Co., Ltd.," *Duke Winch/Taiwan Trade Website*, Available Online at <http://duke-winch.en.taiwantrade.com.tw/product/battery-baby-winch-517969.html>, Available as Early as Feb. 3, 2012, 2 pages.

"Electric Mini Wire Winch DU-160A—Chizong Machine Co., Ltd.," *Duke Winch/Taiwan Trade Website*, Available Online at <http://duke-winch.en.taiwantrade.com.tw/product/electric-mini-wire-winch-du-160a-419300.html>, Available as Early as Aug. 15, 2012, 2 pages.

"Building the Capability for One Person, Without Assistance, to Move Hammond Organs and Leslie Speakers in and Out of a Fourth-story Walkup Apartment," *One-Man Organ Move Website*, Available Online at <http://spinetorganmove.homestead.com/>, Available as Early as May 16, 2013, 1 page.

"Worm Gear Winch WA200 GR/D -Kwint," *Zeker Van Kwint Website*, Available Online at <http://kwintgroep.com/hoist-lifting-equipment/hand-winches/worm-gear-winch-wa200-grd/>, Available as Early as Jun. 13, 2013, 5 pages.

"DPX Systems Drill Powered Winch," *DPX Systems Website*, Available Online at www.dpxsystems.com/shopping/dpx-systems-universal-winch/, Available as Early as Jul. 19, 2013, 2 pages.

"4 Element SteppIR Installation at K8NY—Nov. 2010," *K8Ny Website*, Available Online at <http://k8ny.com/SteppIR/SteppIR.htm>, Available as Early as Oct. 11, 2013, 4 pages.

"2000 Lb. Marine Electric Winch," *Harbor Freight Tools Website*, Available Online at www.harborfreight.com/2000-lb-marine-electric-winch-61237.html, Available as Early as Jul. 14, 2014, 2 pages.

* cited by examiner

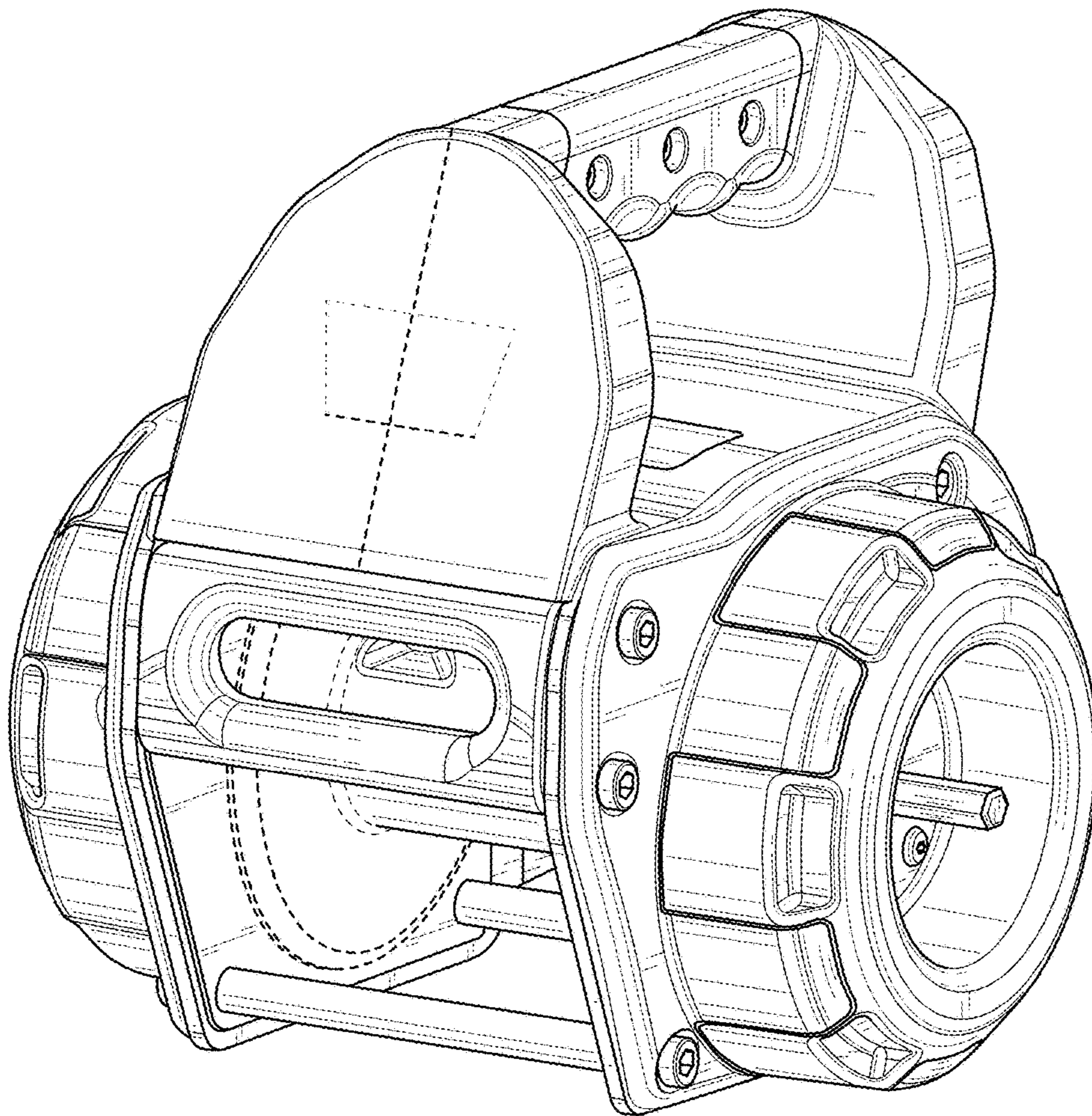


FIG. 1

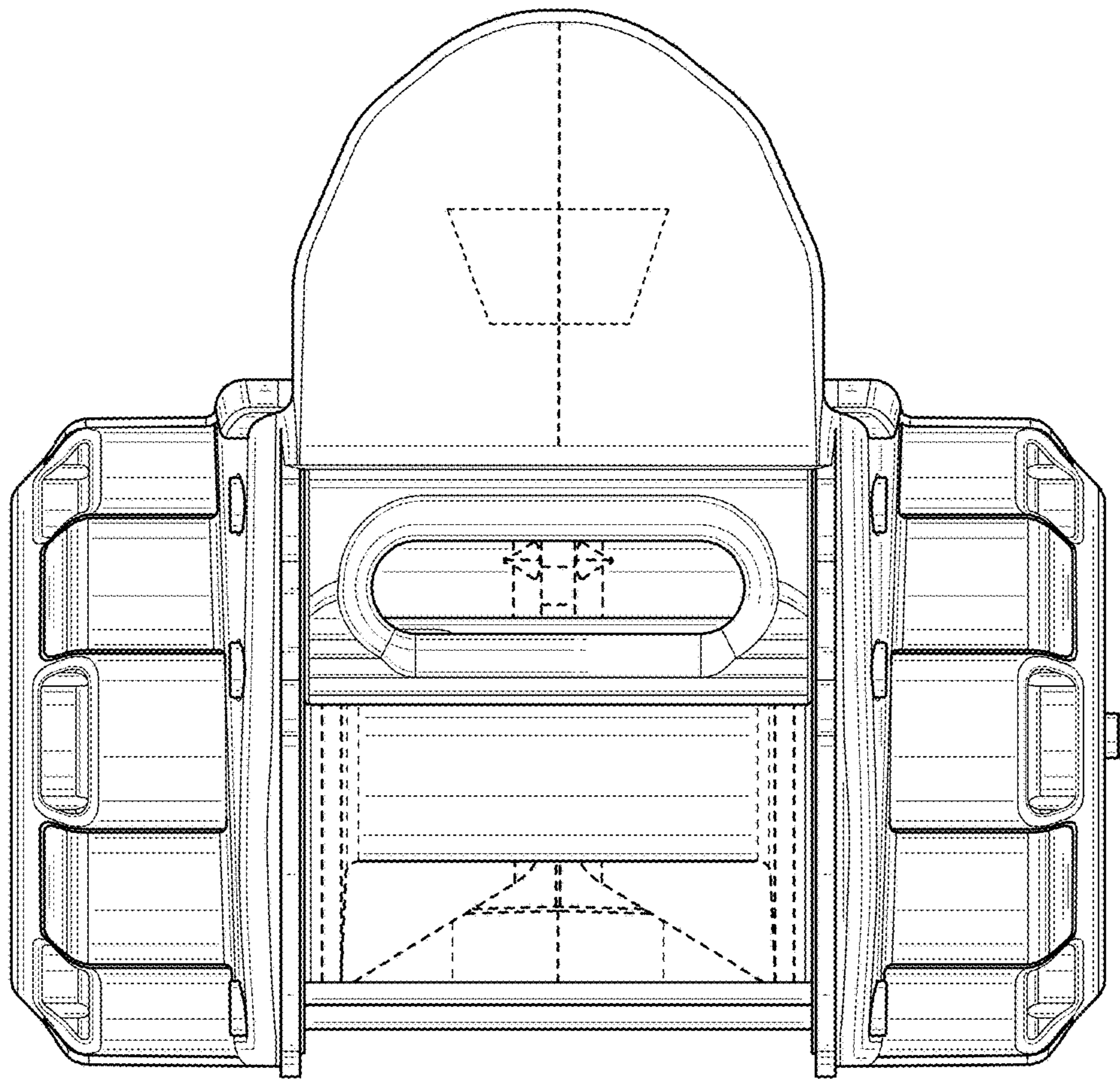


FIG. 2

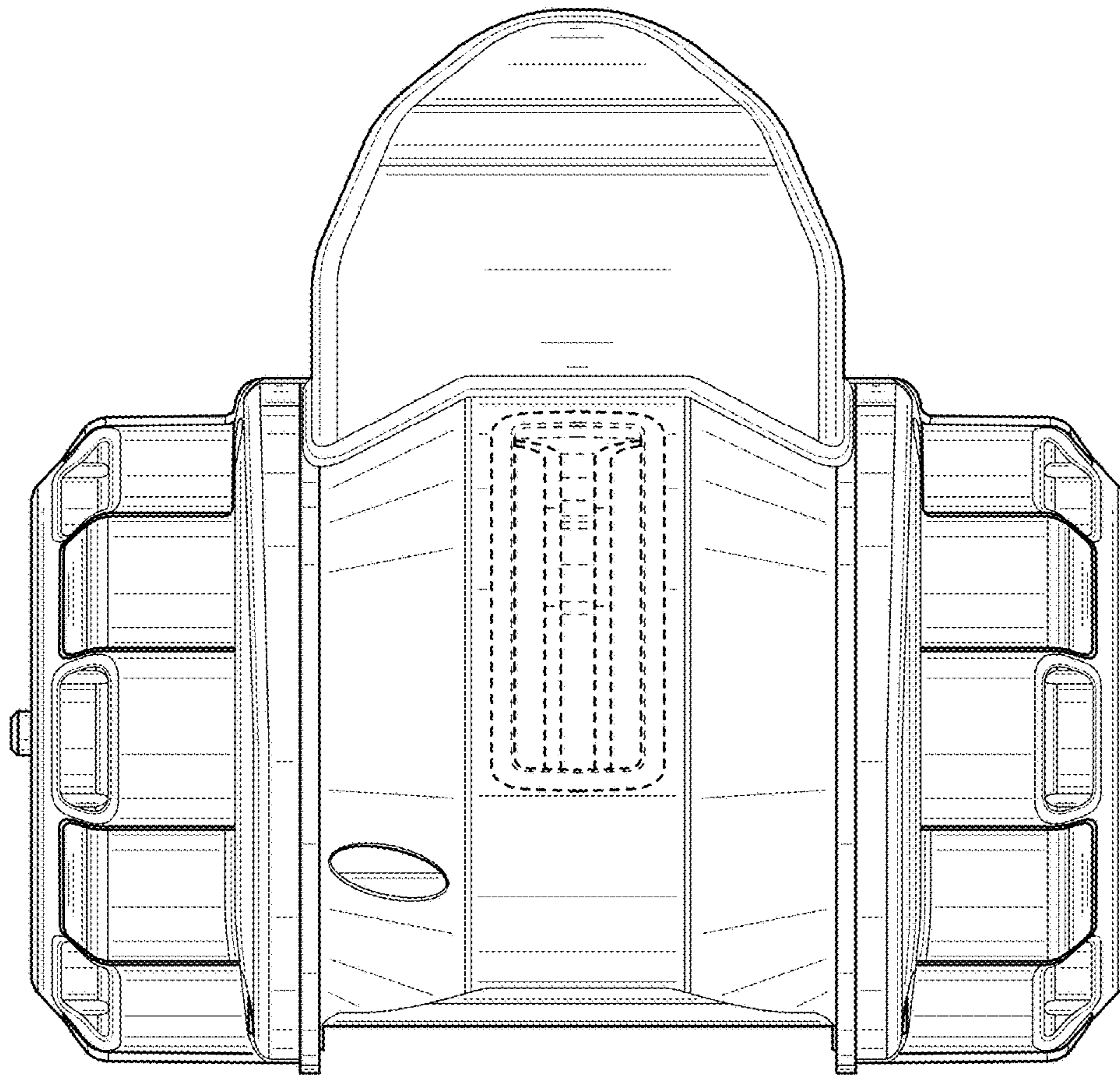


FIG. 3

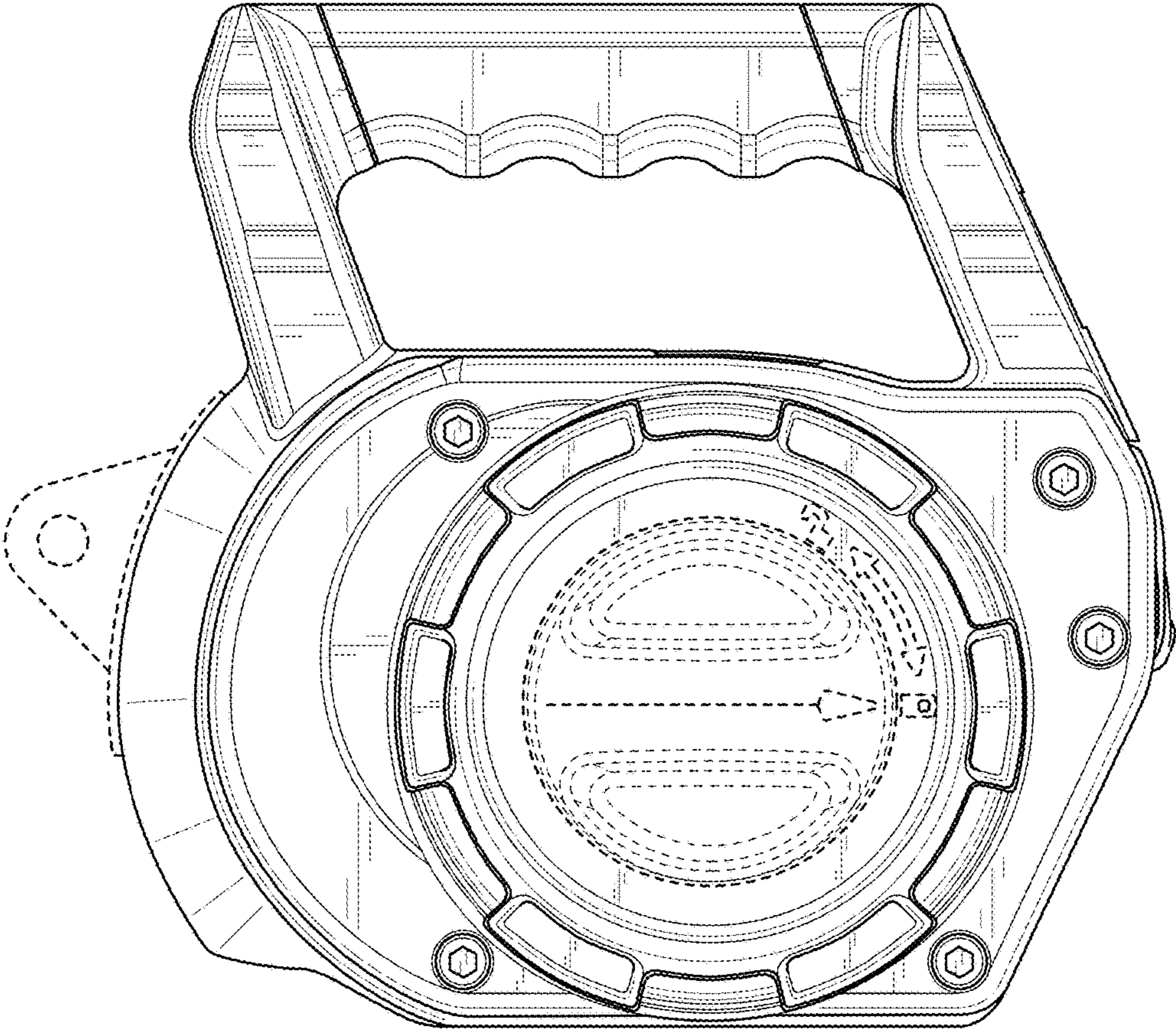


FIG. 4

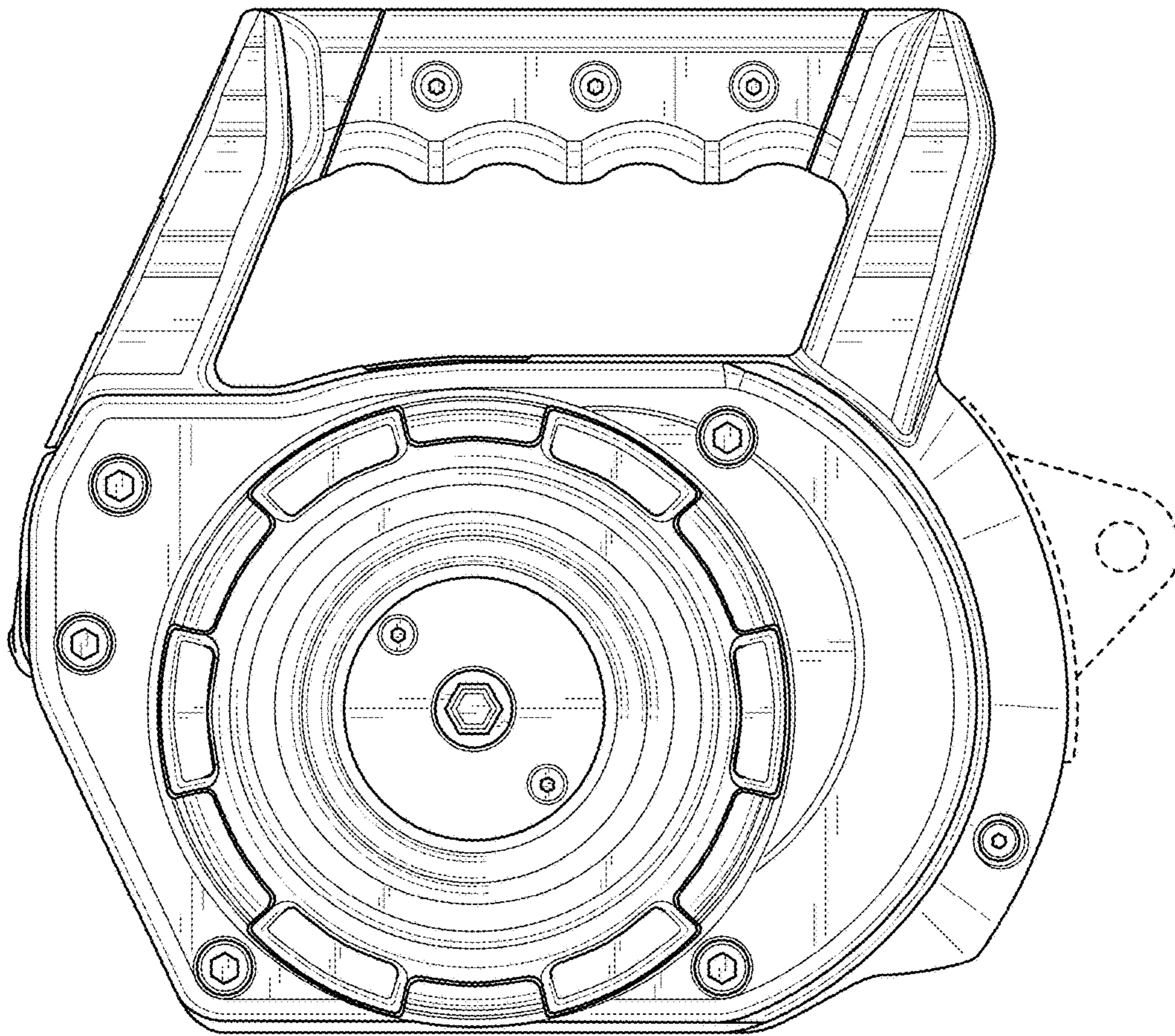


FIG. 5

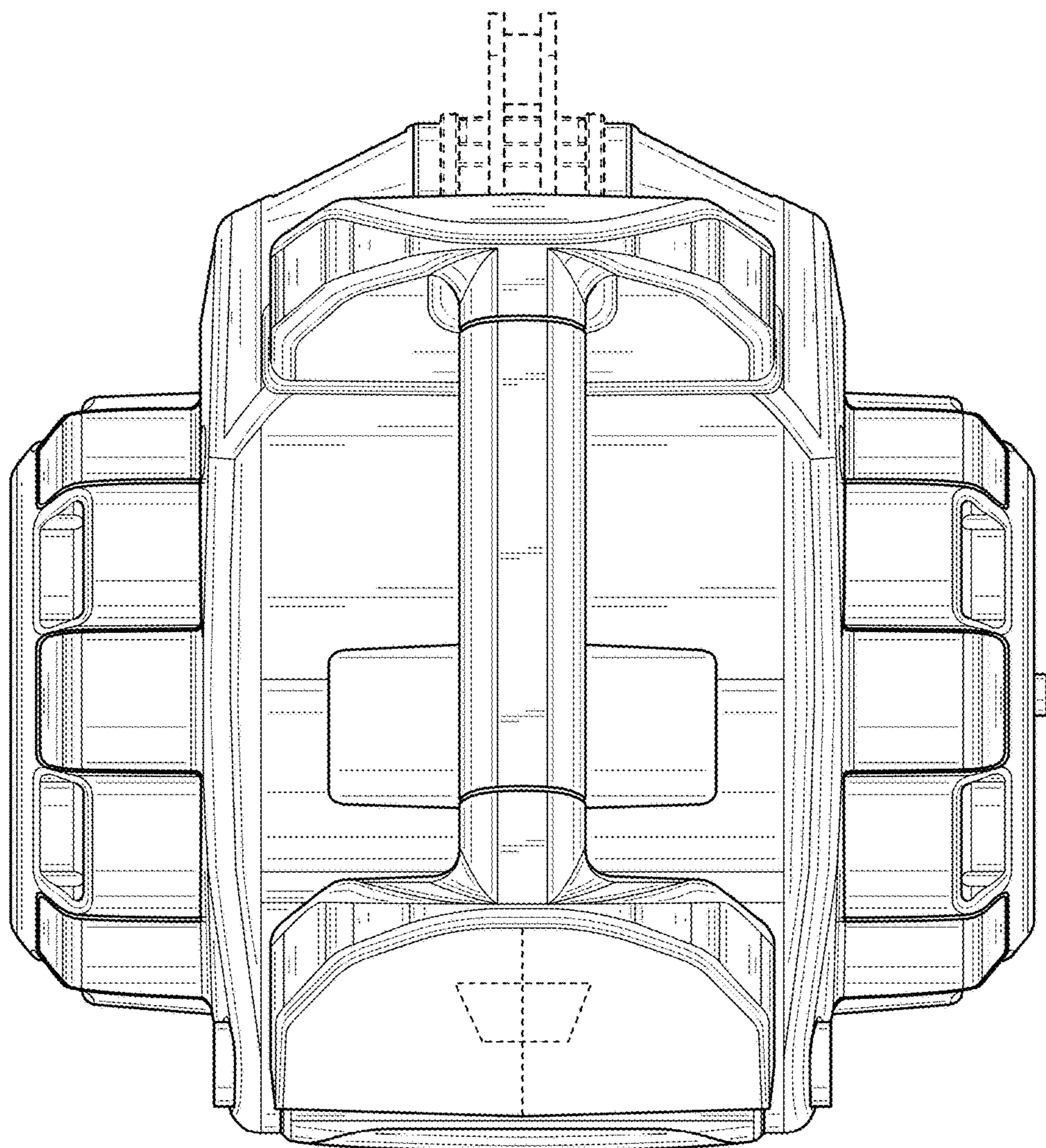


FIG. 6

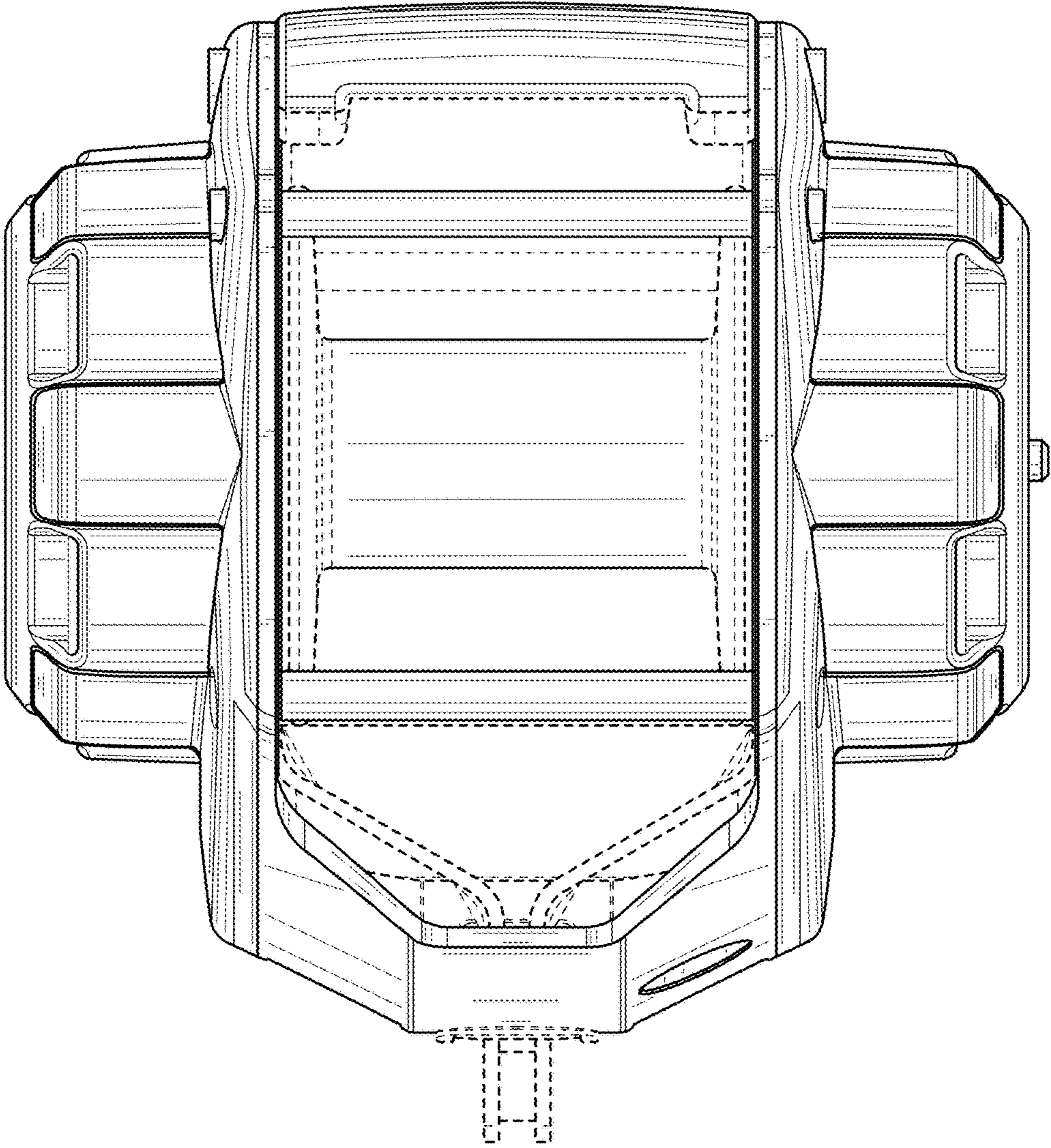


FIG. 7