



US00D775445S

(12) **United States Design Patent** (10) **Patent No.:** **US D775,445 S**  
**Cole** (45) **Date of Patent:** **\*\* Dec. 27, 2016**

(54) **FABRIC CARE DEVICE**

(71) Applicant: **Gleener Marketing Inc.**, Montréal (CA)

(72) Inventor: **Kim Cole**, Montréal (CA)

(73) Assignee: **GLEENER MARKETING INC.**, Montreal (CA)

(\*\*) Term: **14 Years**

(21) Appl. No.: **29/517,833**

(22) Filed: **Feb. 17, 2015**

(30) **Foreign Application Priority Data**

Feb. 13, 2015 (CA) ..... 160888

(51) **LOC (10) Cl.** ..... **08-99**

(52) **U.S. Cl.**  
USPC ..... **D32/35**

(58) **Field of Classification Search**  
USPC ..... D32/35, 40, 42, 43, 46, 54; 15/105, 106,  
15/104.001, 104, 111, 185  
(Continued)

(56) **References Cited**

**U.S. PATENT DOCUMENTS**

2,934,810 A 5/1960 Kanbar  
3,471,977 A \* 10/1969 Roth ..... A47L 25/08  
15/104.002

(Continued)

**FOREIGN PATENT DOCUMENTS**

CA 2201975 10/1998

**OTHER PUBLICATIONS**

Purdy, Kevin. "Use a Disposable Razor to Remove Sweater Pills".  
Lifehacker, N. p., Dec. 24, 2007. Web Mar. 27, 2013. <http://lifehacker.com/337160/use-a-disposable-razor-to-remove-sweater-pills>.

*Primary Examiner* — Susan Bennett Hattan

*Assistant Examiner* — Rebecca Tsehaye

(74) *Attorney, Agent, or Firm* — Foley & Lardner LLP

(57) **CLAIM**

I claim the ornamental design for a fabric care device, as shown and described.

**DESCRIPTION**

FIG. 1 is a top perspective view of a fabric care device in accordance with a first embodiment;

FIG. 2 is a bottom perspective view of the fabric care device in accordance with the first embodiment;

FIG. 3 is a front view of the fabric care device in accordance with the first embodiment;

FIG. 4 is a top view of the fabric care device in accordance with the first embodiment;

FIG. 5 is a right side view of the fabric care device in accordance with the first embodiment, the left side view being a mirror image thereof;

FIG. 6 is a back view of the fabric care device in accordance with the first embodiment;

FIG. 7 is a bottom view of the fabric care device in accordance with the first embodiment;

FIG. 8 is a top perspective view of a fabric care device in accordance with a second embodiment;

FIG. 9 is a bottom perspective view of the fabric care device in accordance with the second embodiment;

FIG. 10 is a front view of the fabric care device in accordance with the second embodiment;

FIG. 11 is a top view of the fabric care device in accordance with the second embodiment;

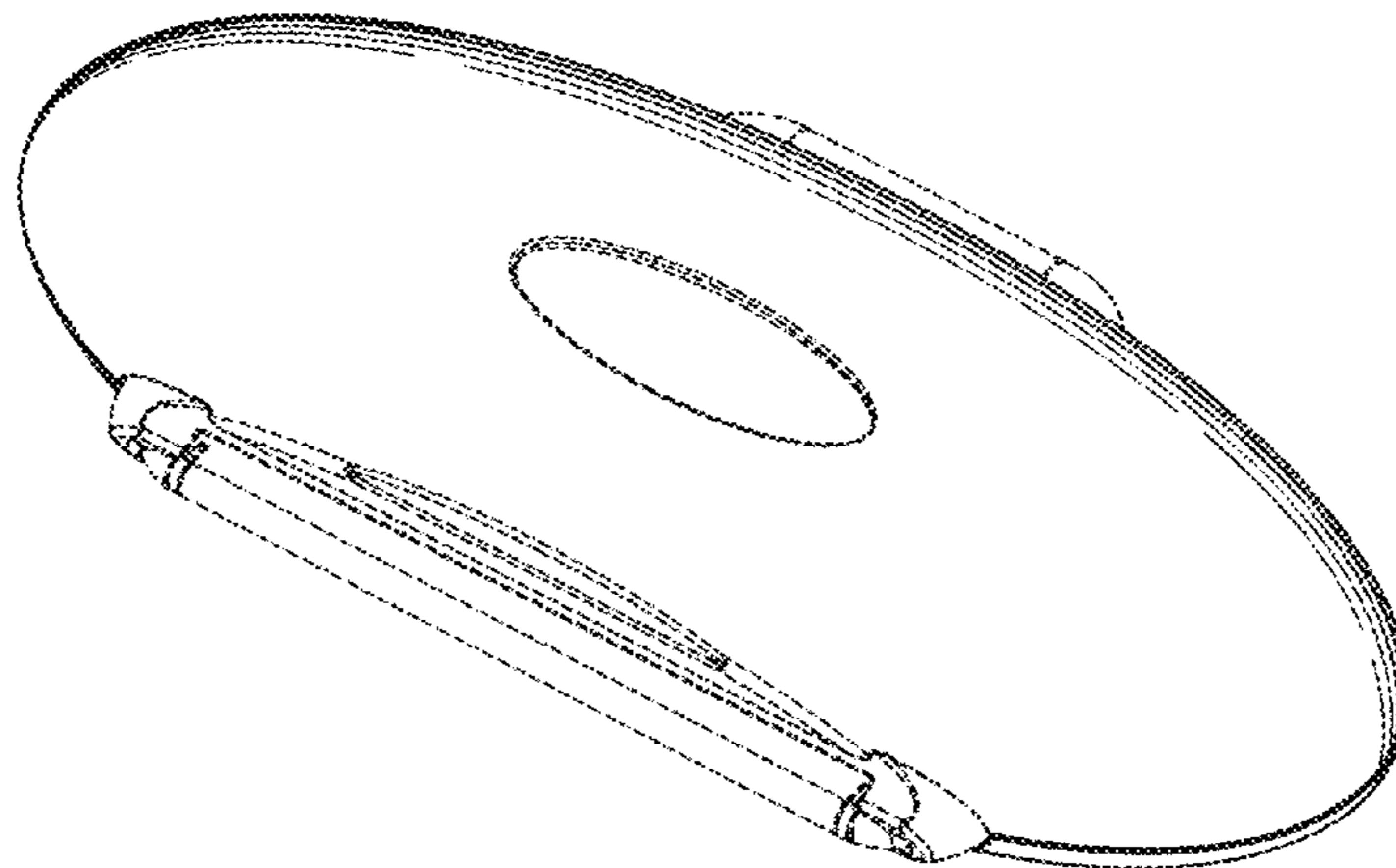
FIG. 12 is a right side view of the fabric care device in accordance with the second embodiment, the left side view being a mirror image thereof;

FIG. 13 is a back view of the fabric care device in accordance with the second embodiment;

FIG. 14 is a bottom view of the fabric care device in accordance with the second embodiment; and,

FIG. 15 is an open exploded view of the fabric care device in accordance with the first embodiment and the second embodiment.

(Continued)



The broken lines in the drawing depict portions of the fabric care device that form no part of the claimed design.

**1 Claim, 7 Drawing Sheets**

(58) **Field of Classification Search**

CPC ..... A47L 25/00; A47L 25/08; A47L 25/005  
See application file for complete search history.

(56)

**References Cited**

U.S. PATENT DOCUMENTS

3,474,977 A 10/1969 Mott, Sr. et al.  
3,680,168 A \* 8/1972 Krusche ..... A46B 7/00  
15/171  
3,967,338 A \* 7/1976 Russell ..... A46B 17/04  
15/185  
4,642,835 A \* 2/1987 Schmitz ..... A47L 23/04  
15/104.002

4,686,731 A \* 8/1987 Suzuki ..... A47L 25/08  
132/76.4  
5,036,561 A 8/1991 Calafut  
5,467,590 A 11/1995 Mencarelli et al.  
5,575,031 A 11/1996 Chai  
D389,619 S \* 1/1998 McLeod ..... D32/35  
5,930,862 A 8/1999 Garrett  
6,901,622 B2 \* 6/2005 Thompson ..... A47L 25/08  
15/1.52  
7,003,844 B1 2/2006 Mosby-Pinkney  
7,770,294 B2 8/2010 Bruno et al.  
7,856,690 B2 12/2010 Tuman et al.  
8,397,338 B2 3/2013 Dinh  
8,683,640 B2 \* 4/2014 Cole ..... A46B 7/04  
15/104.002  
8,850,649 B2 \* 10/2014 Tuman ..... A47L 13/00  
15/104.001  
2004/0148721 A1 8/2004 Spaulding  
2005/0184099 A1 8/2005 McKay

\* cited by examiner

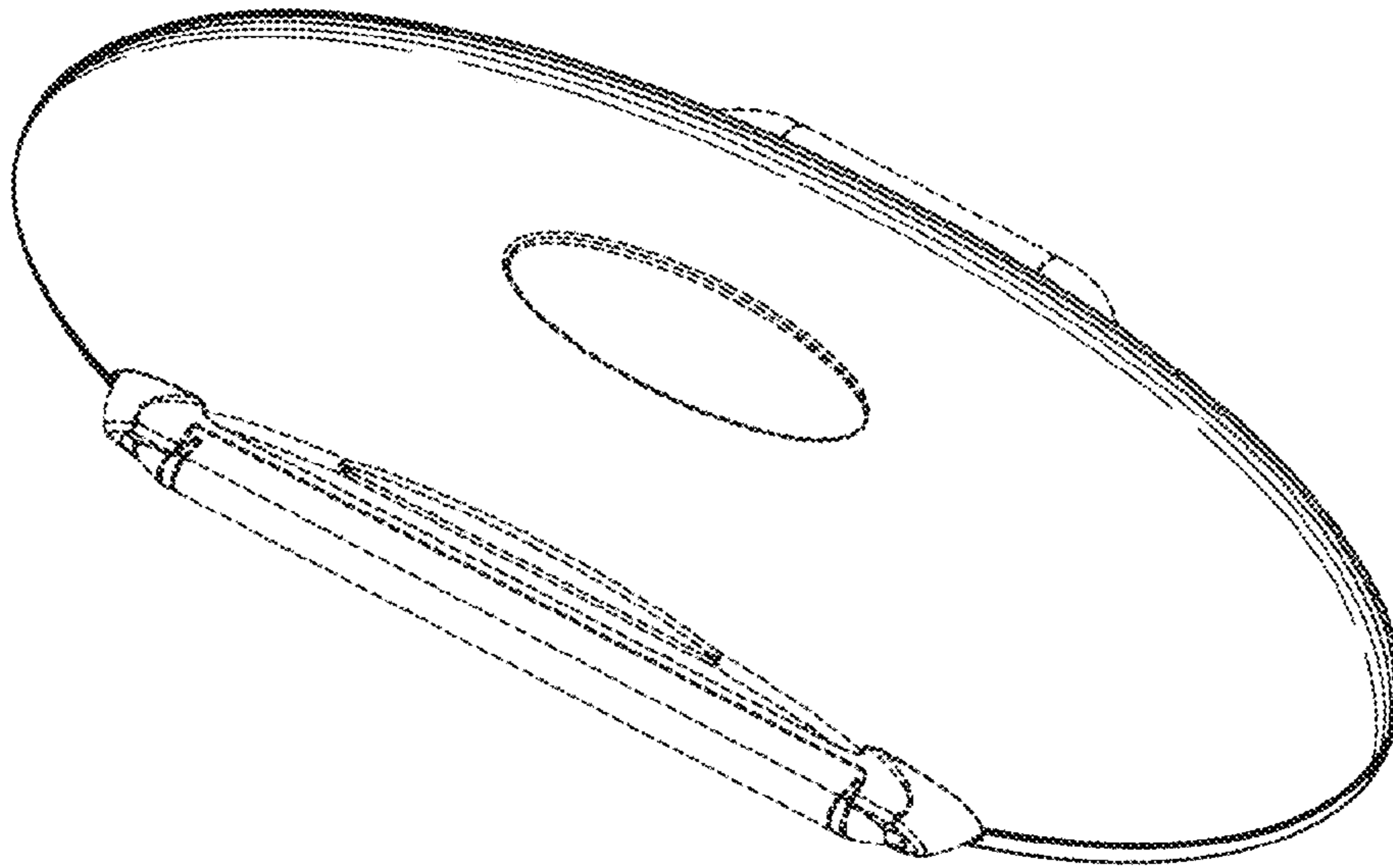


FIG. 1

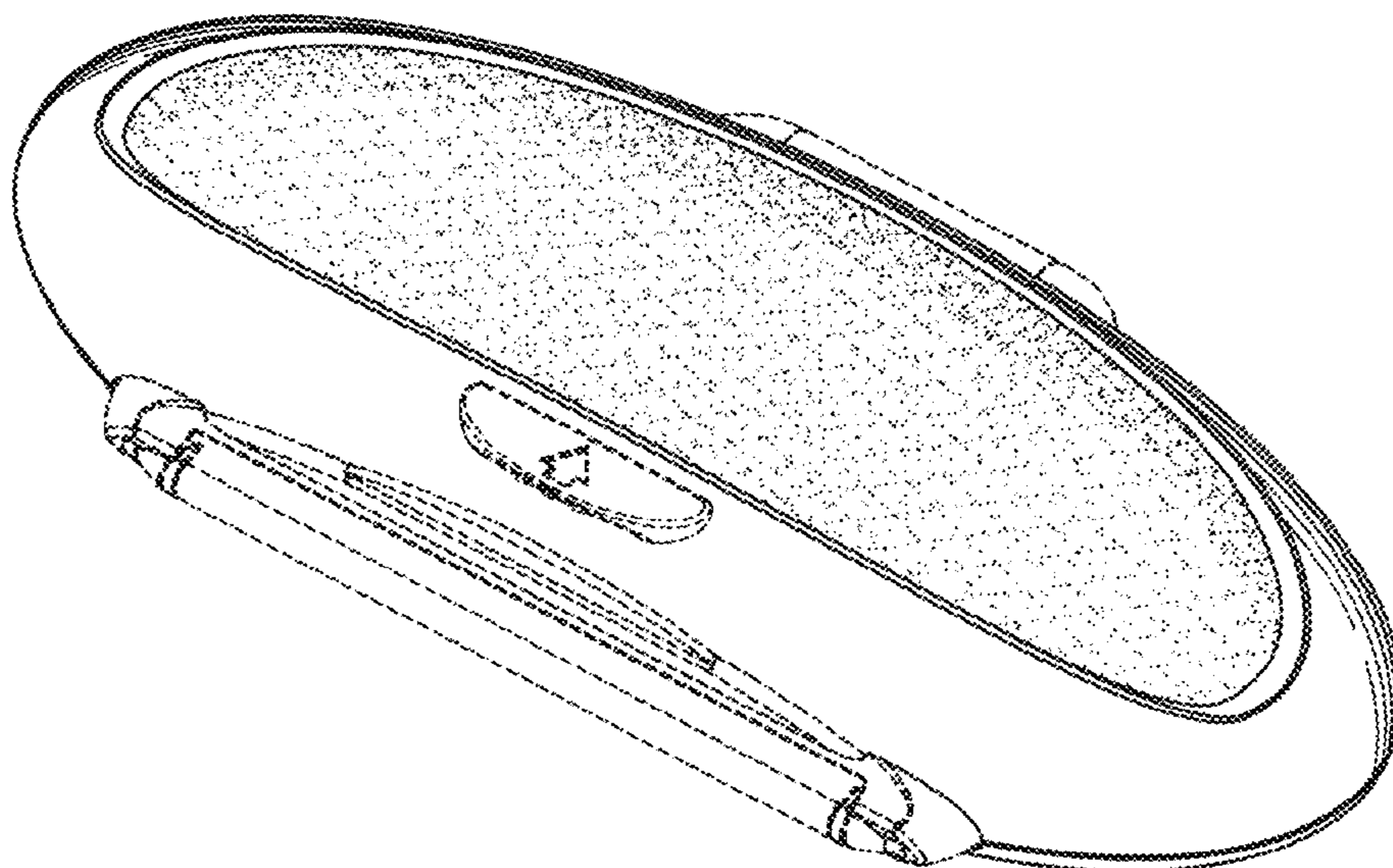


FIG. 2

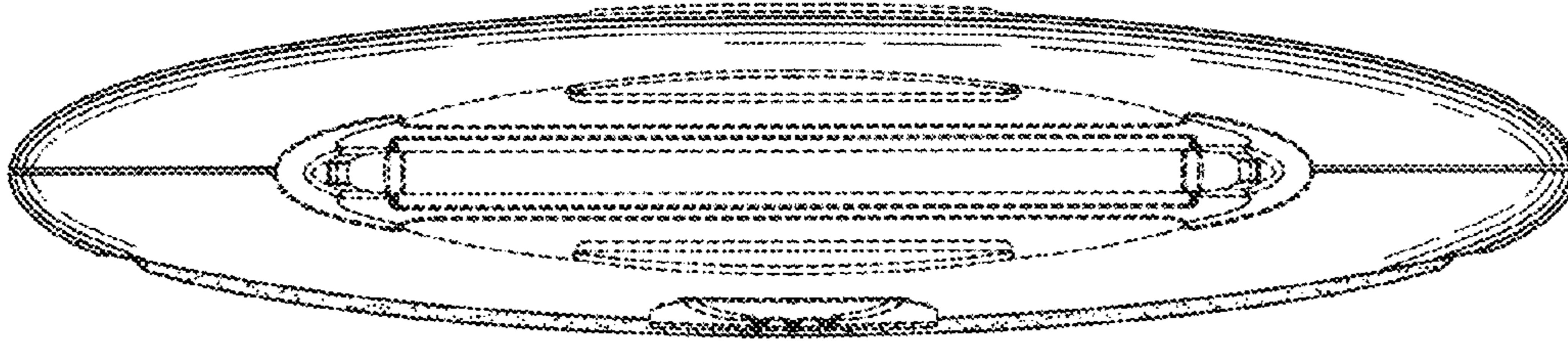


FIG. 3

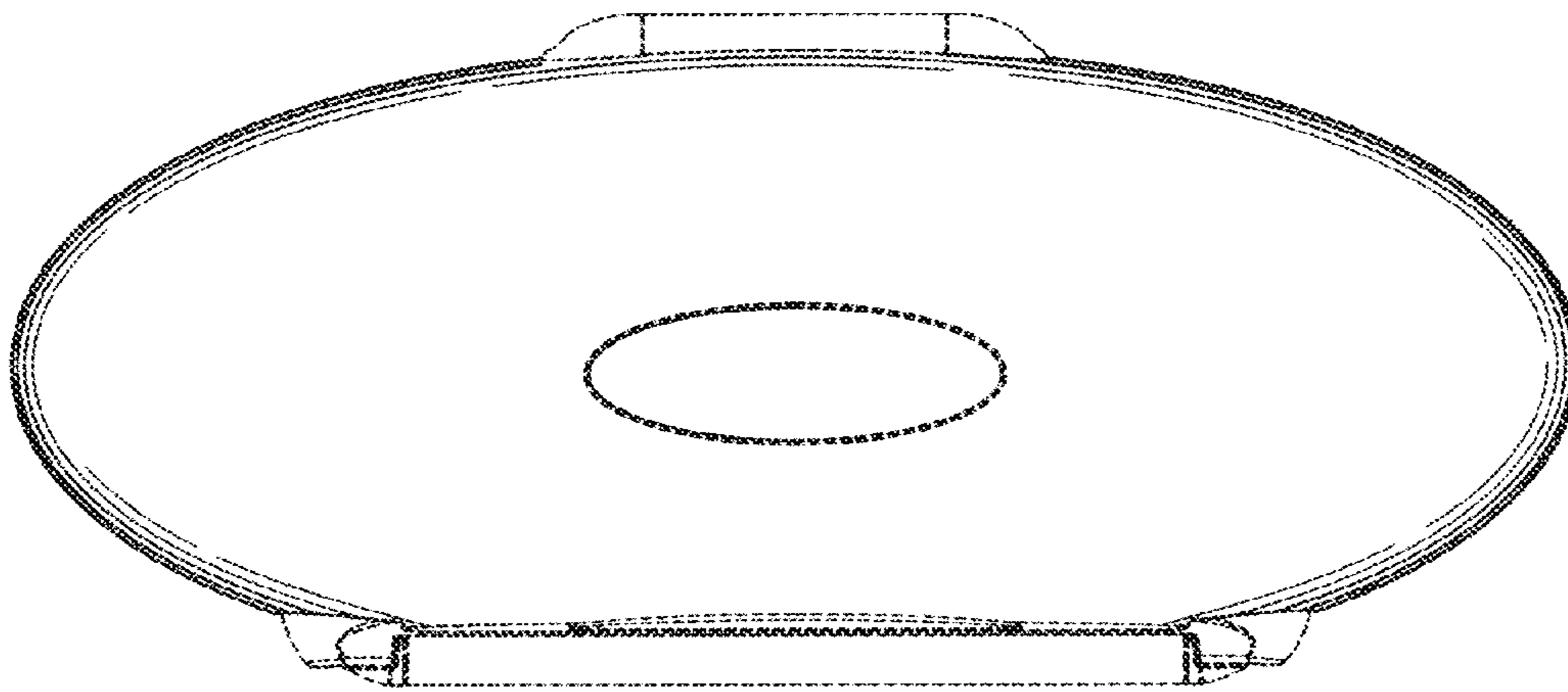


FIG. 4

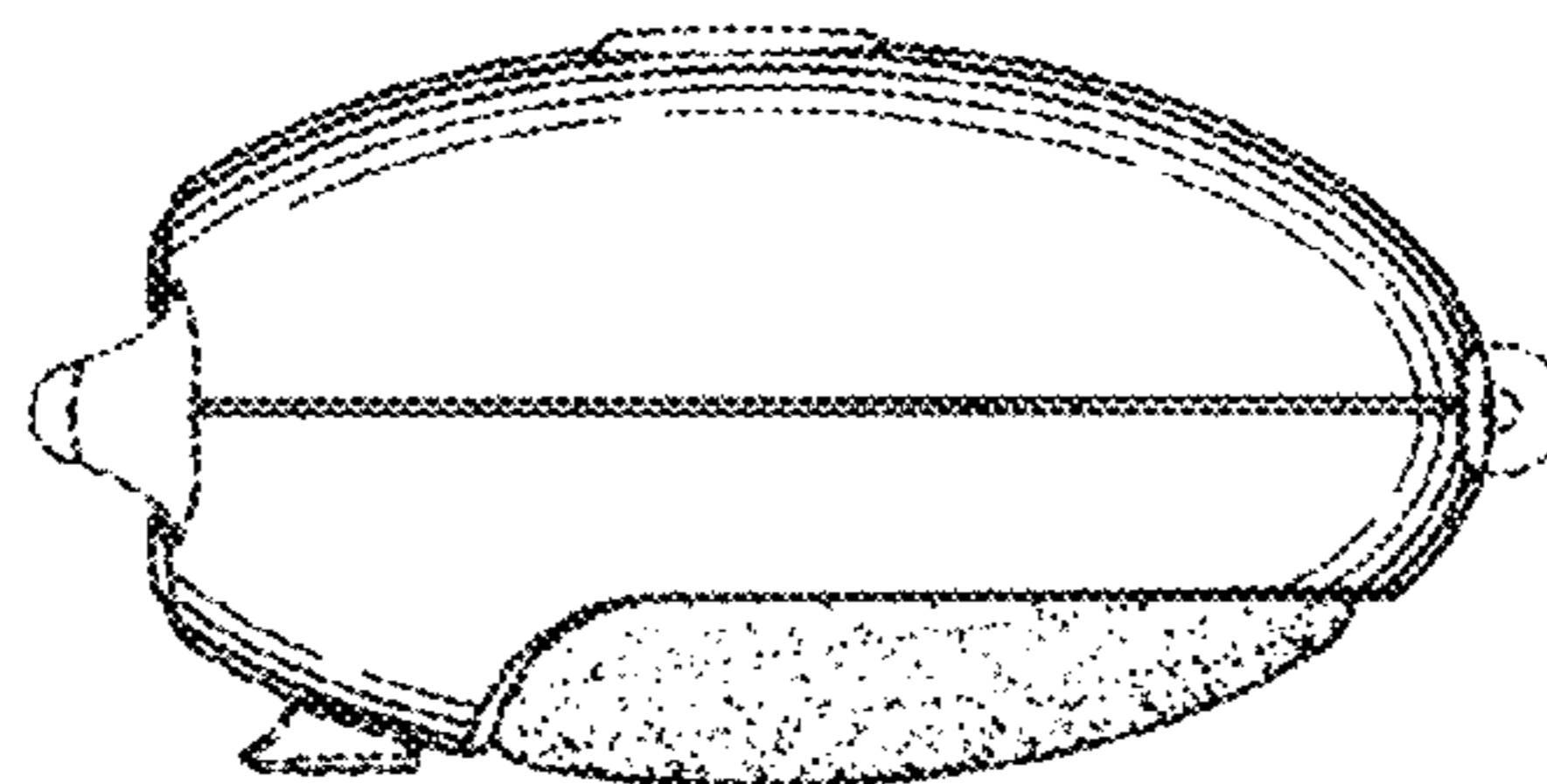


FIG. 5

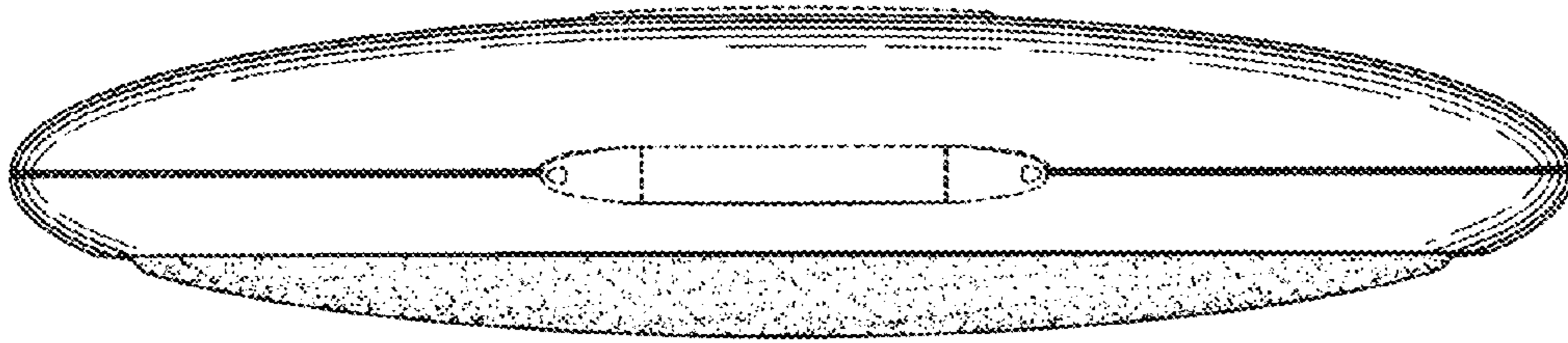


FIG. 6

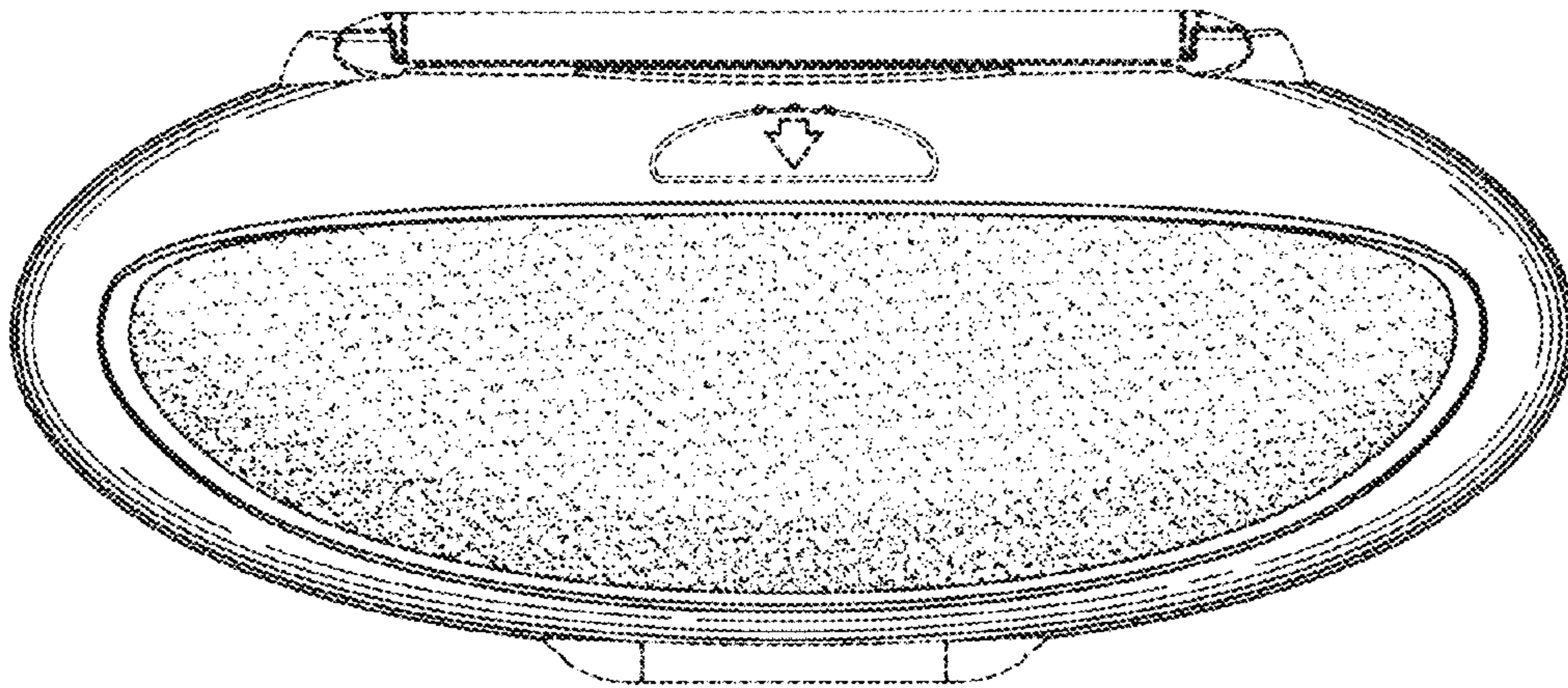


FIG. 7

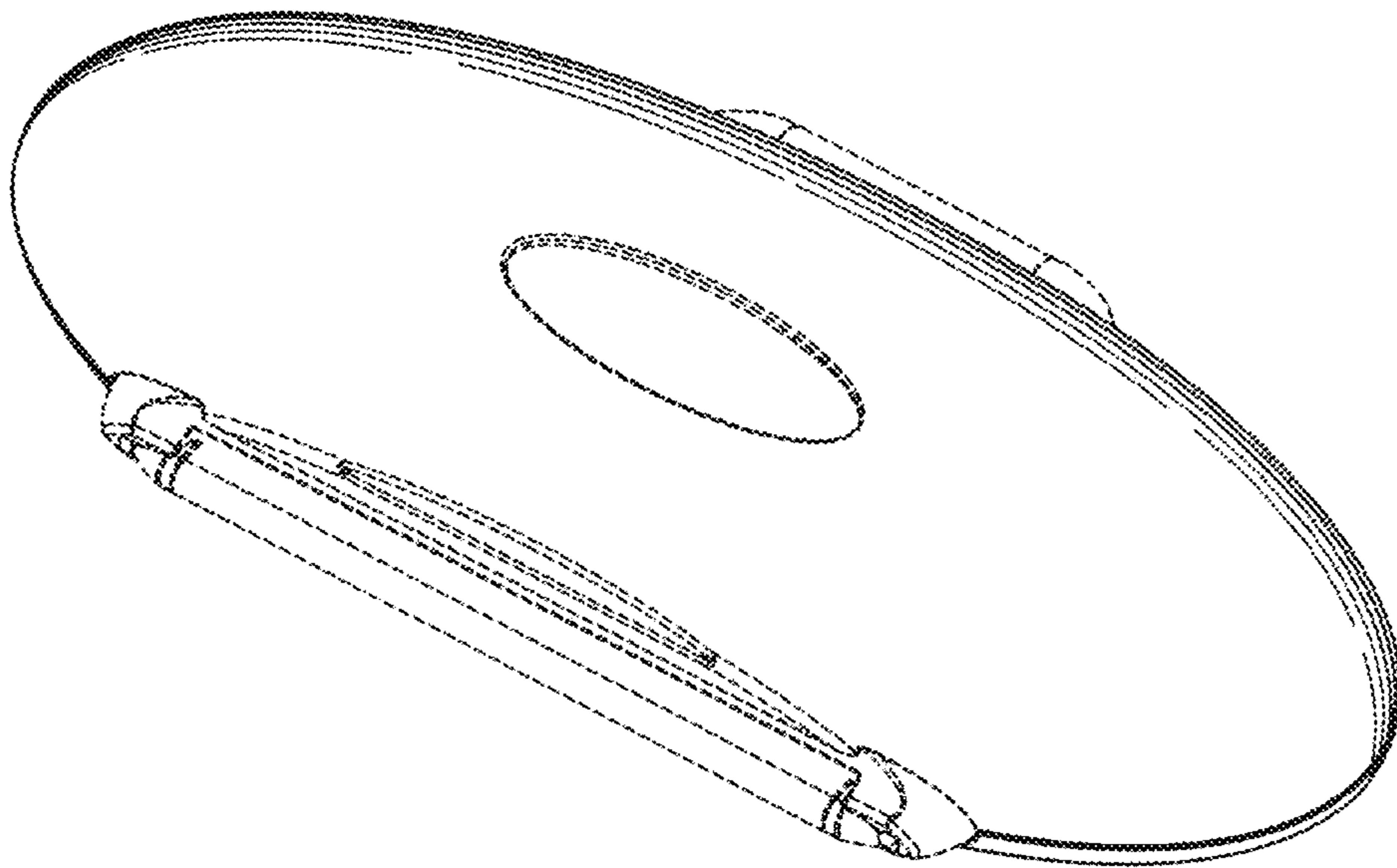


FIG. 8

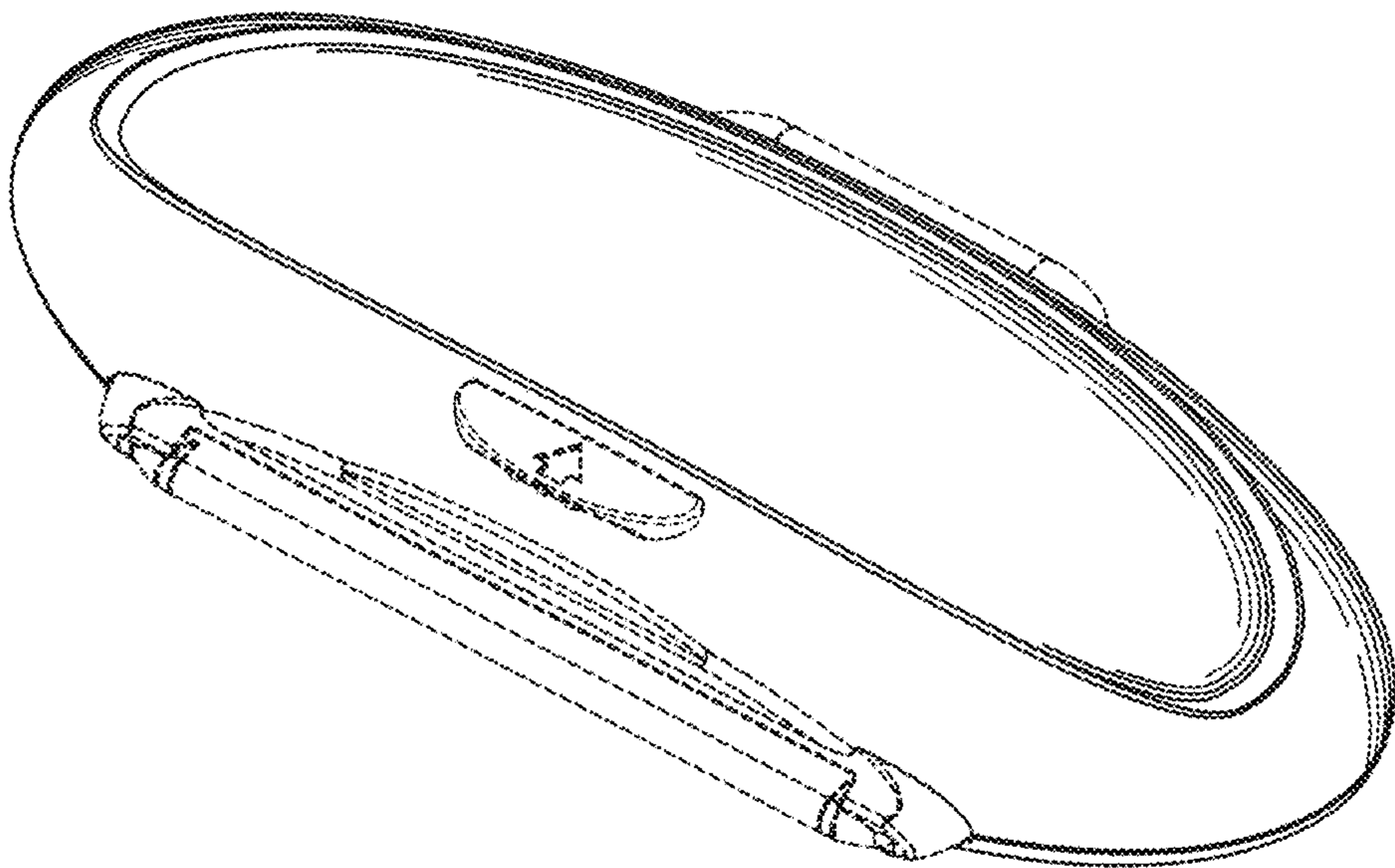


FIG. 9



FIG. 10

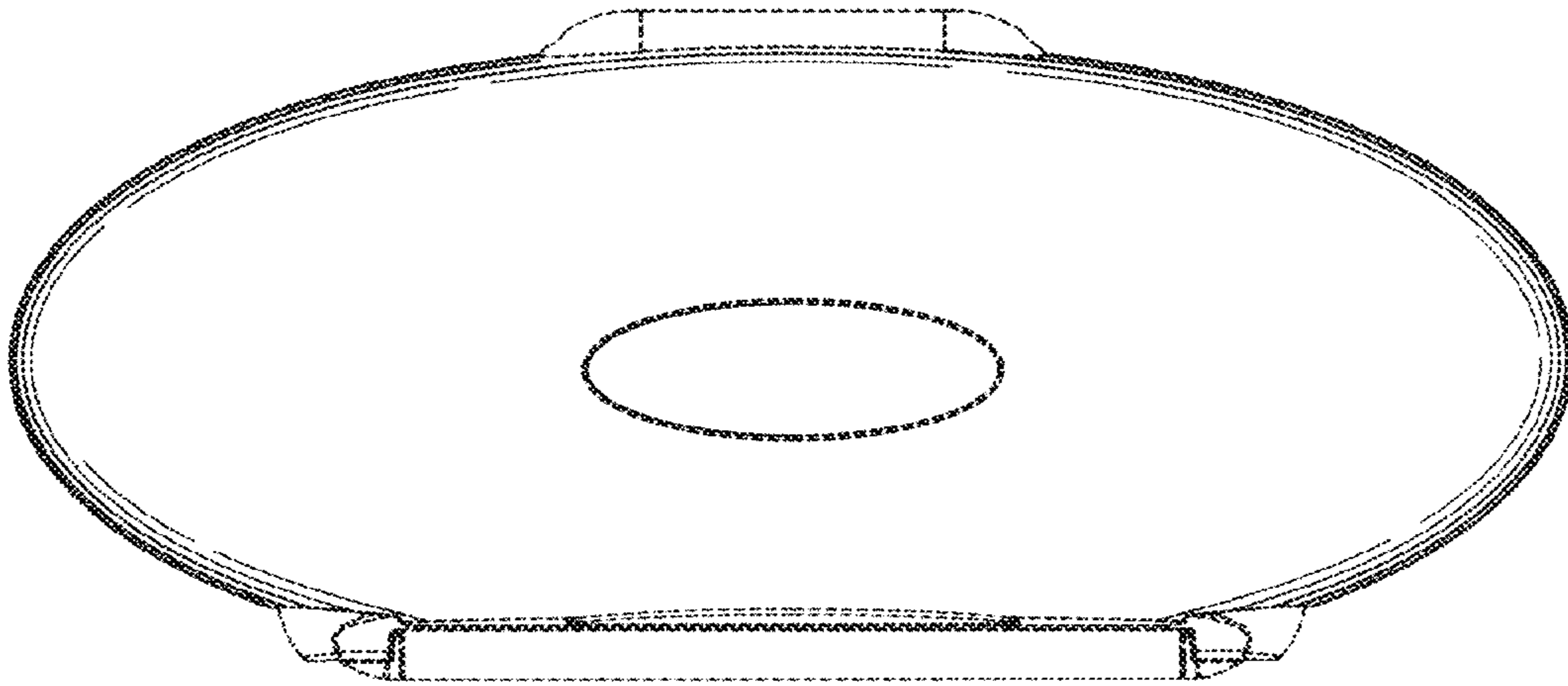


FIG. 11

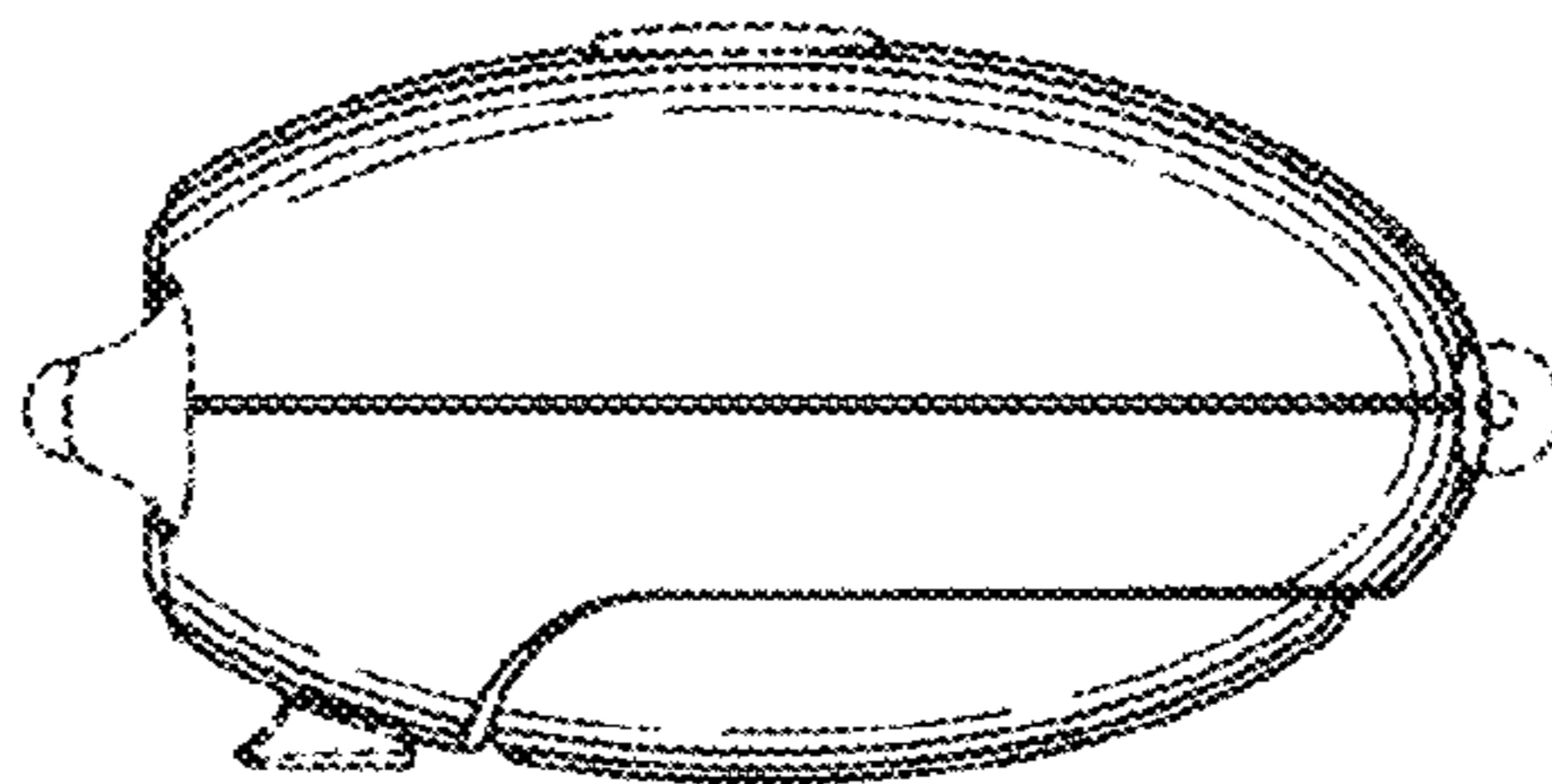


FIG. 12

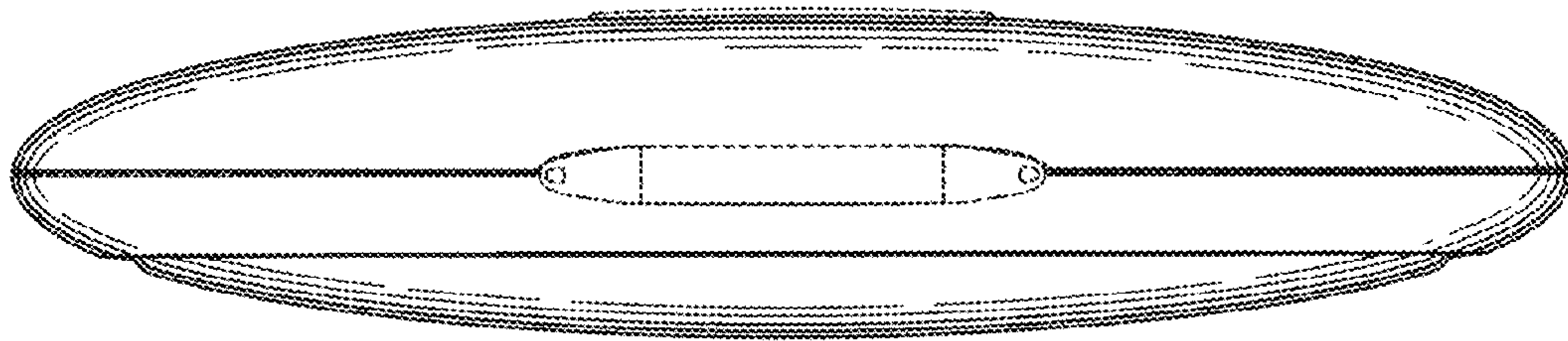


FIG. 13

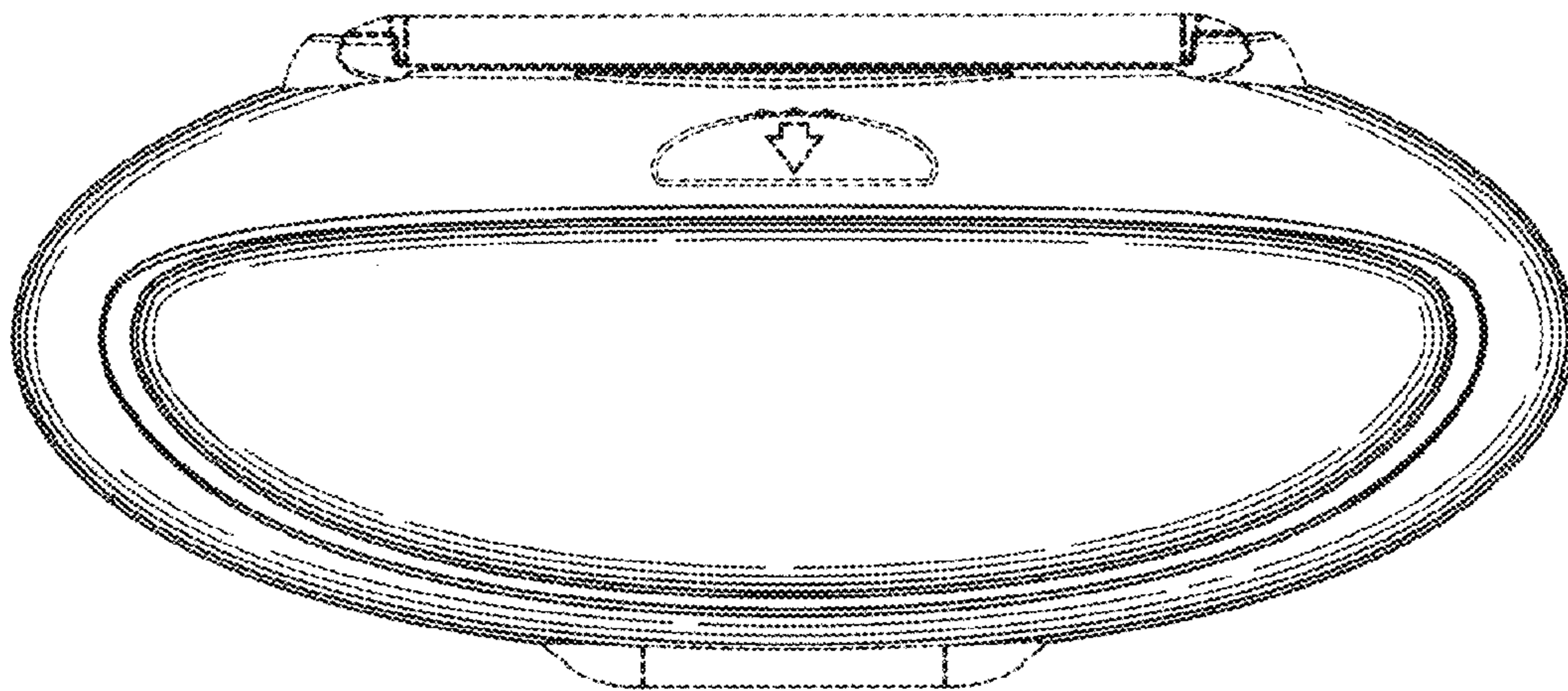
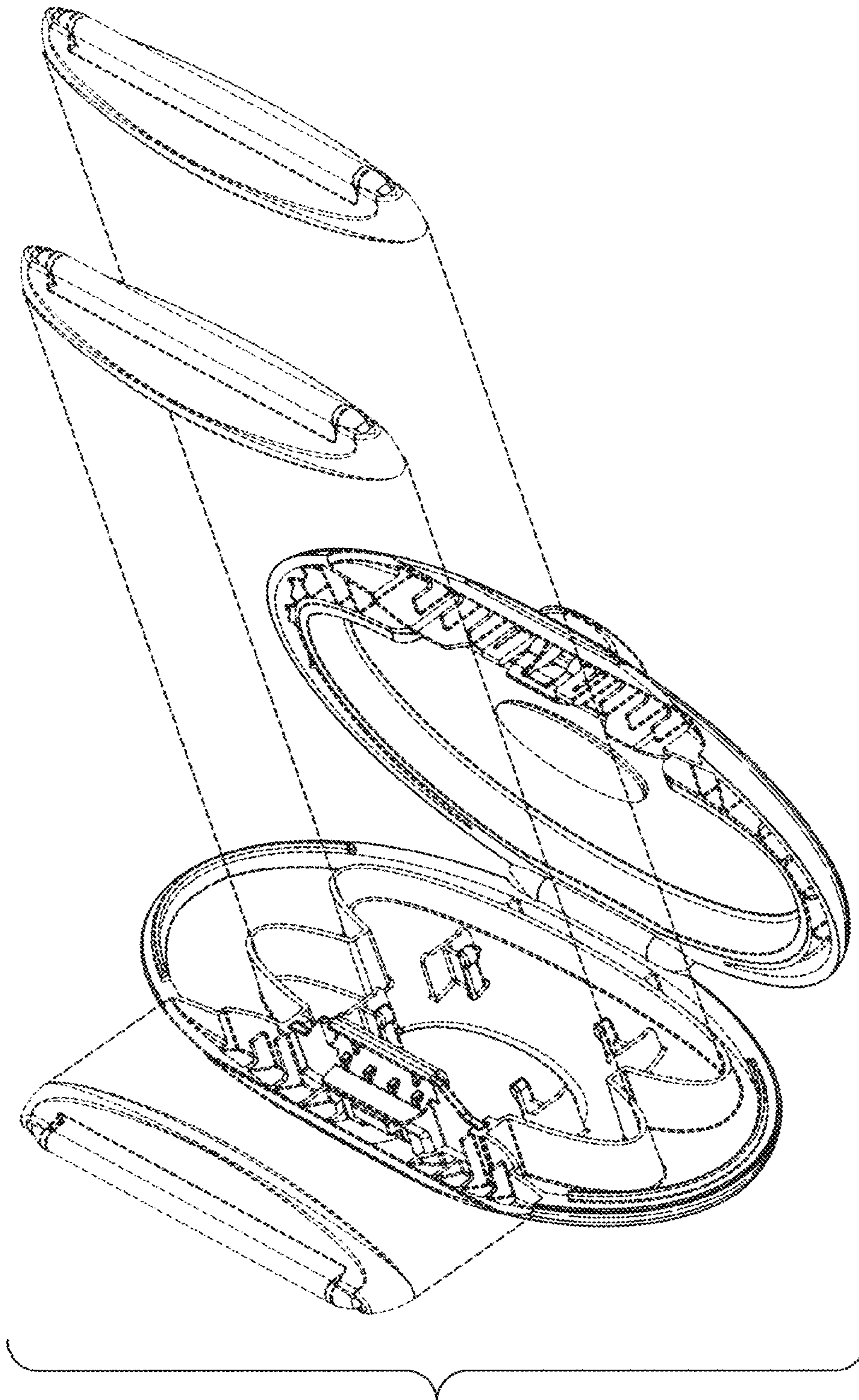


FIG. 14





15