



US00D775444S

(12) **United States Design Patent** (10) **Patent No.:** **US D775,444 S**
Kwon et al. (45) **Date of Patent:** **** Dec. 27, 2016**

(54) **CLEANER**

(71) Applicant: **Samsung Electronics Co., Ltd.**,
Suwon-si (KR)

(72) Inventors: **Soo Yeon Kwon**, San Francisco, CA
(US); **Dong Ju Shin**, Seoul (KR)

(73) Assignee: **Samsung Electronics Co., Ltd.**,
Suwon-si (KR)

(**) Term: **14 Years**

(21) Appl. No.: **29/495,432**

(22) Filed: **Jul. 1, 2014**

(30) **Foreign Application Priority Data**

Jan. 3, 2014 (KR) 30-2014-0000538

(51) **LOC (10) Cl.** **15-05**

(52) **U.S. Cl.**
USPC **D32/34**

(58) **Field of Classification Search**
USPC ... D32/17-18, 21-24, 31, 34, 40, 42, 49-52
CPC A47L 5/28; A47L 5/32; A47L 5/362;
A47L 5/365; A47L 5/24; A47L
5/34; A47L 7/0038; A47L 9/26; A47L
9/2857; A47L 9/20; A47L 9/02; A47L
9/322; A47L 9/325; A47L 11/34; A47L
11/40; A47L 11/4044; A47L 11/20; A47L
11/146

See application file for complete search history.

(56) **References Cited**

U.S. PATENT DOCUMENTS

D462,813 S * 9/2002 Nakano D32/22
D510,465 S * 10/2005 Takahashi D32/22
D537,584 S * 2/2007 Greene D32/22
D553,313 S * 10/2007 Parr D32/22

D553,814 S * 10/2007 Parr D32/22
D587,870 S * 3/2009 Baek D32/22
D610,317 S * 2/2010 Lee D32/22
D610,318 S * 2/2010 Shin D32/22
D633,264 S * 2/2011 Lee D32/22
D652,589 S * 1/2012 Lee D32/22
D662,271 S * 6/2012 Conrad D32/31
D670,878 S * 11/2012 Lee D32/22
D686,377 S * 7/2013 Thorne D32/31
D695,980 S * 12/2013 Thorne D32/22
D726,980 S * 4/2015 Kim D32/22
D730,001 S * 5/2015 Yun D32/22
D732,253 S * 6/2015 Cheon D32/22
D735,426 S * 7/2015 Yun D32/22
D739,104 S * 9/2015 Johnson D32/31
D740,505 S * 10/2015 Gidwell D32/31
2013/0232724 A1 * 9/2013 Krebs A47L 5/28
15/353

* cited by examiner

Primary Examiner — Ruth McInroy

(74) *Attorney, Agent, or Firm* — NSIP Law

(57) **CLAIM**

We claim the ornamental design for a cleaner, as shown and described.

DESCRIPTION

FIG. 1 is a front perspective view of a cleaner showing our new design;

FIG. 2 is a front view thereof;

FIG. 3 is a rear view thereof;

FIG. 4 is a left-side view thereof;

FIG. 5 is a right-side view thereof;

FIG. 6 is a top view thereof;

FIG. 7 is a bottom view thereof; and,

FIG. 8 is another front perspective view, in which the cleaner is provided in an alternate position.

The broken lines in the figures show portions of the cleaner which form no part of the claimed design.

1 Claim, 8 Drawing Sheets

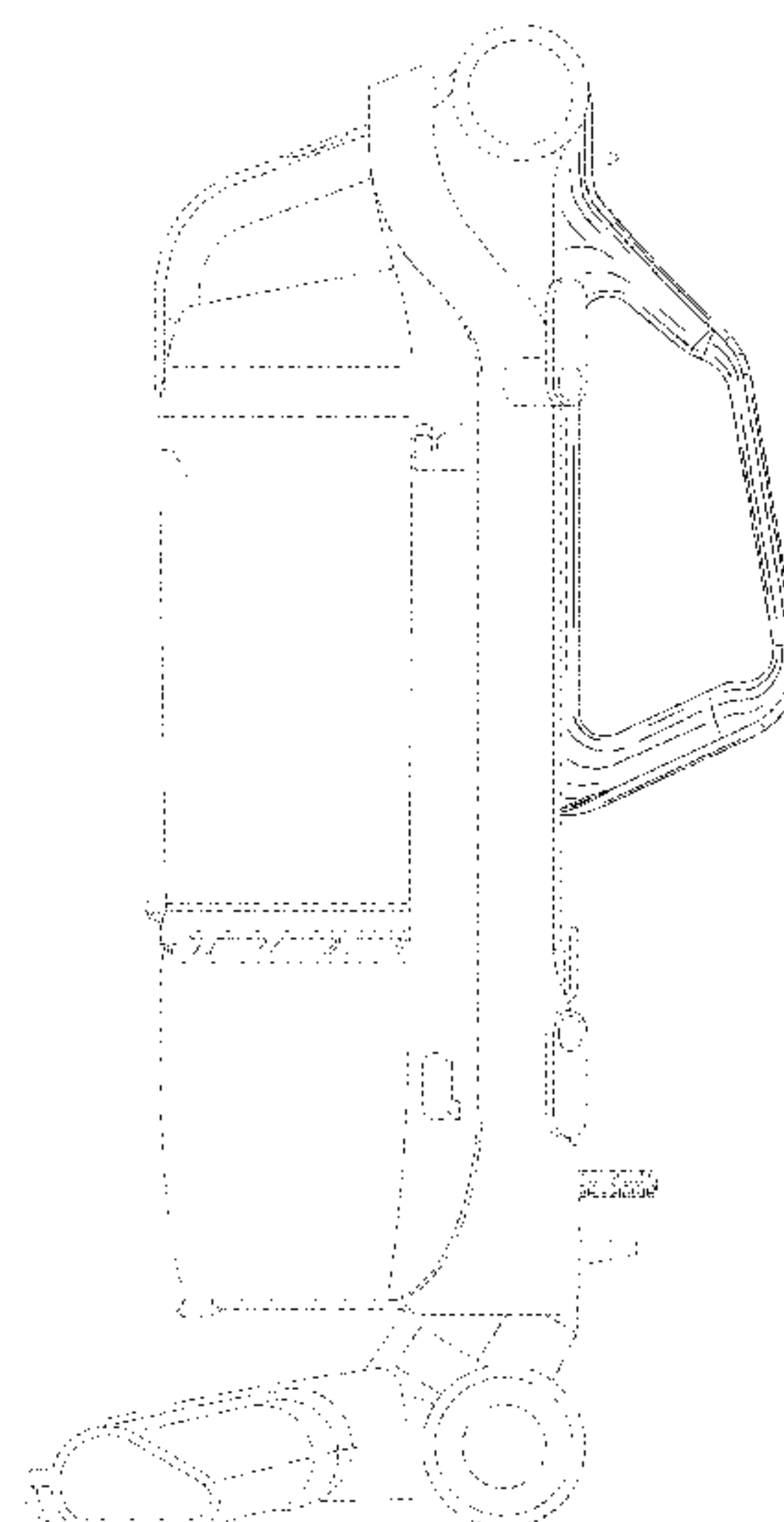
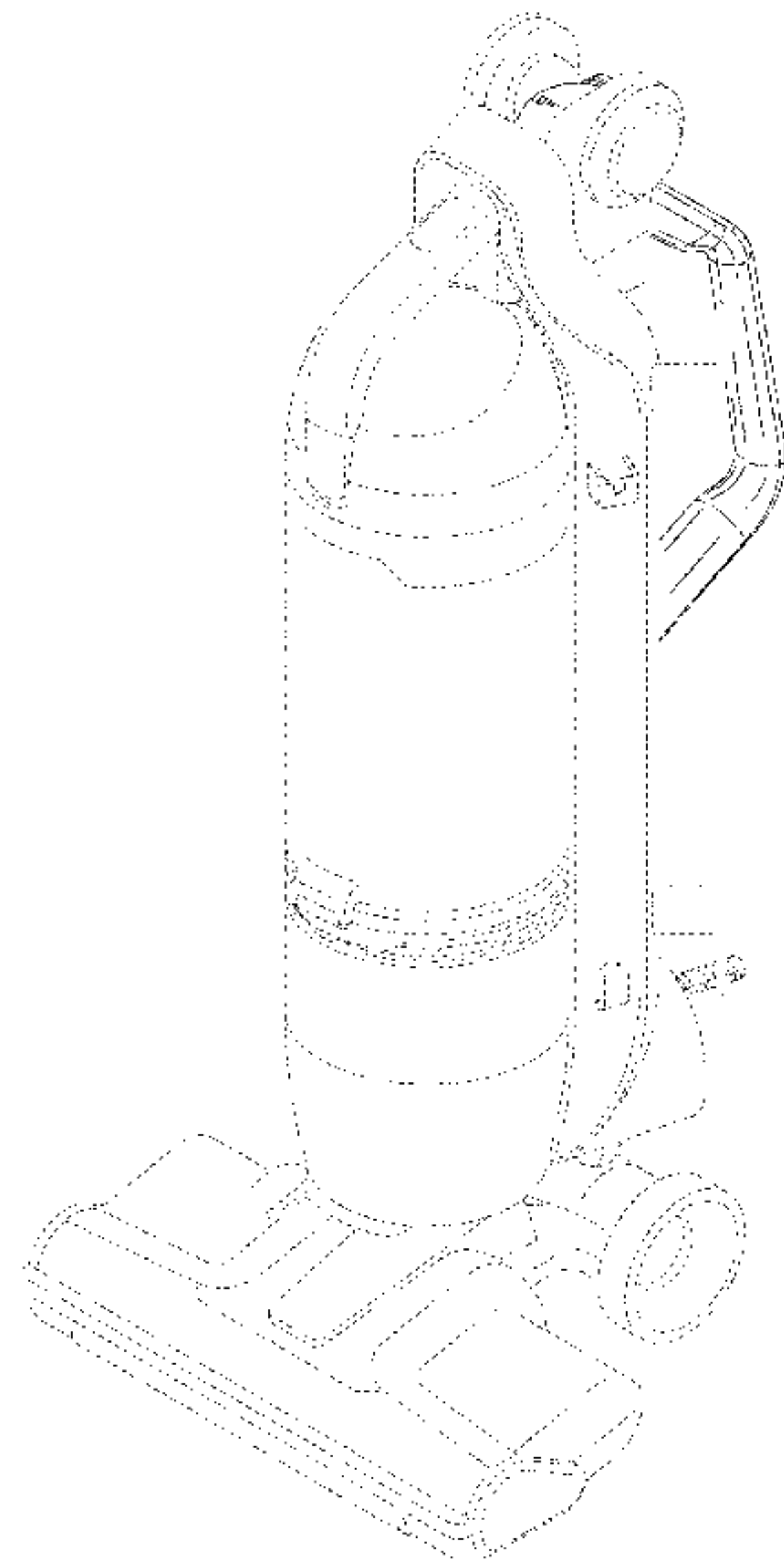


FIG. 1

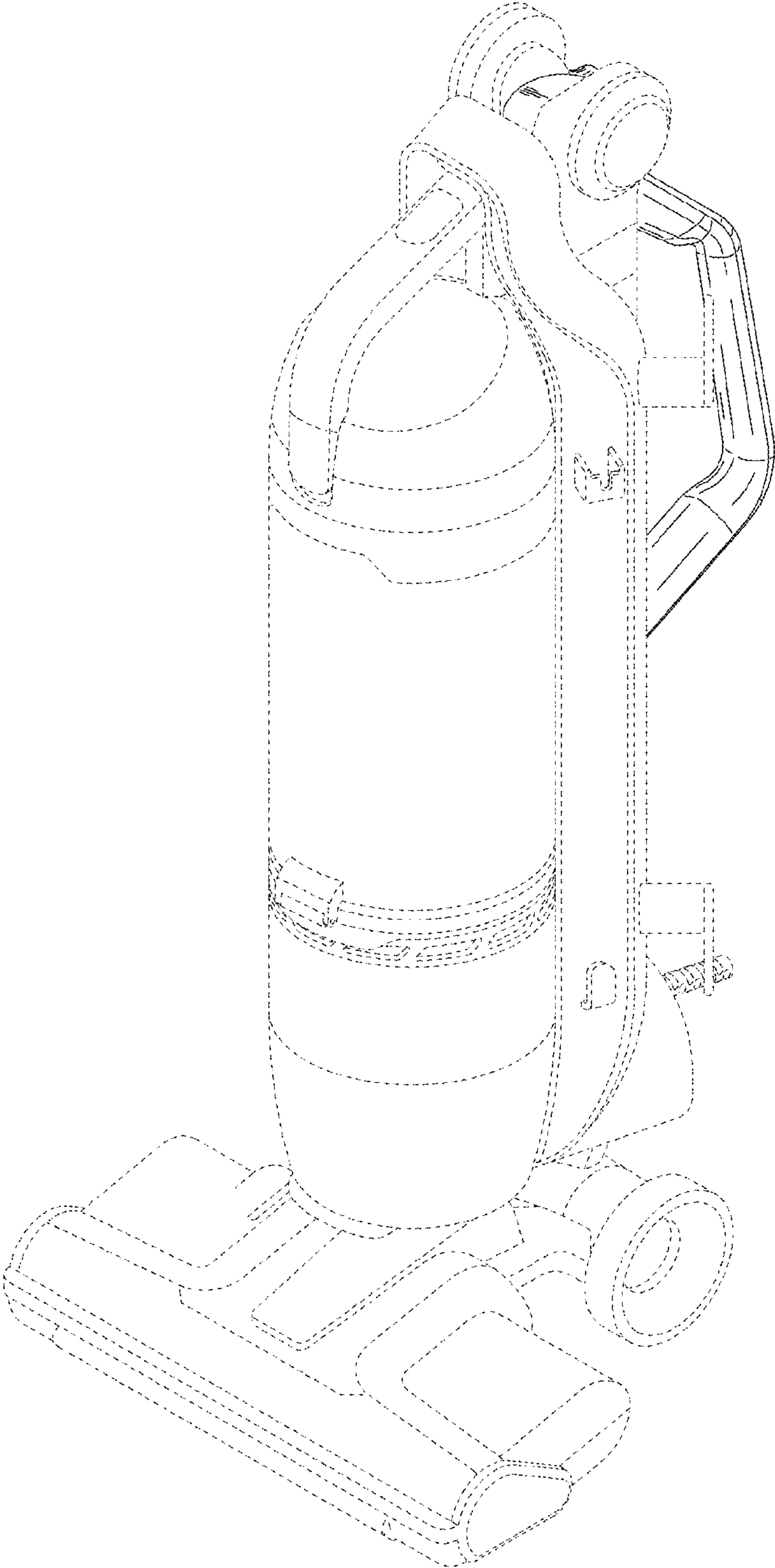


FIG. 2

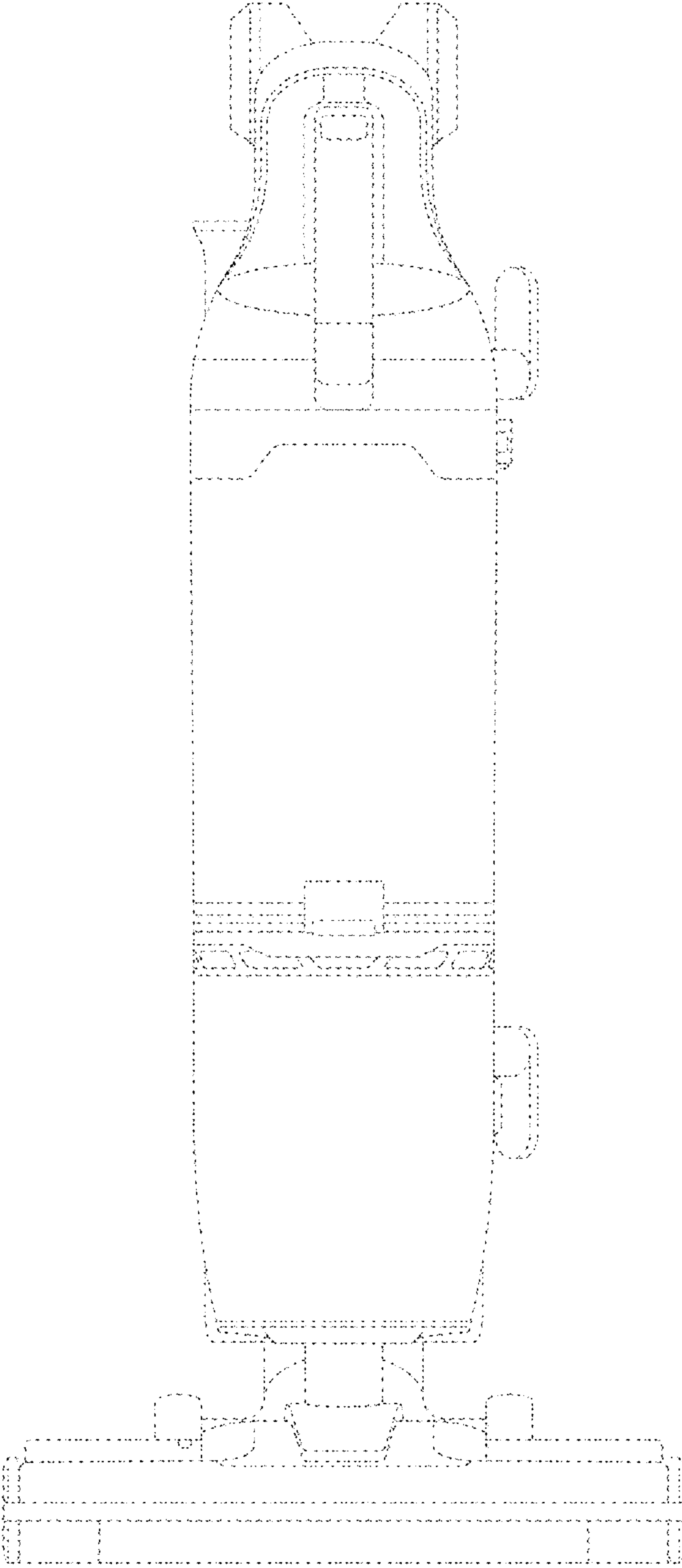


FIG. 3

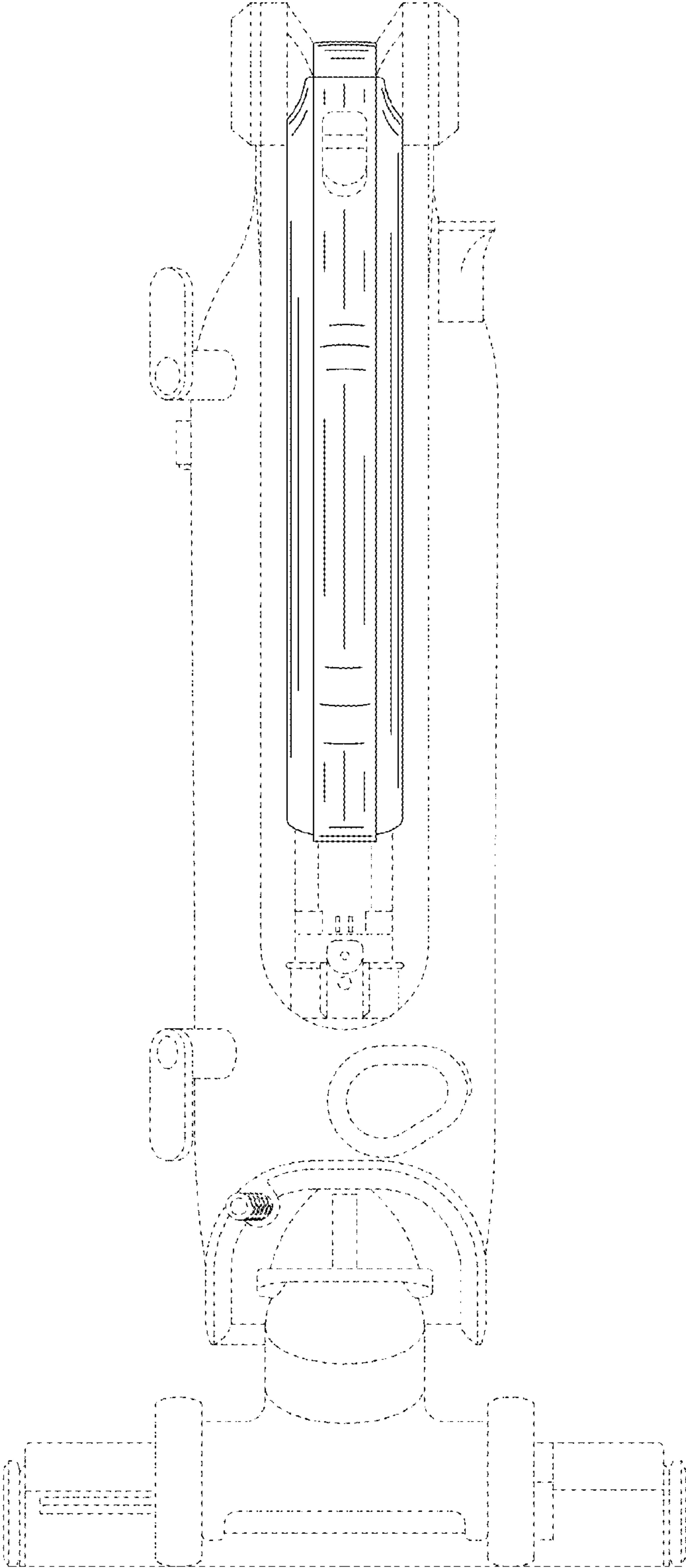


FIG. 4

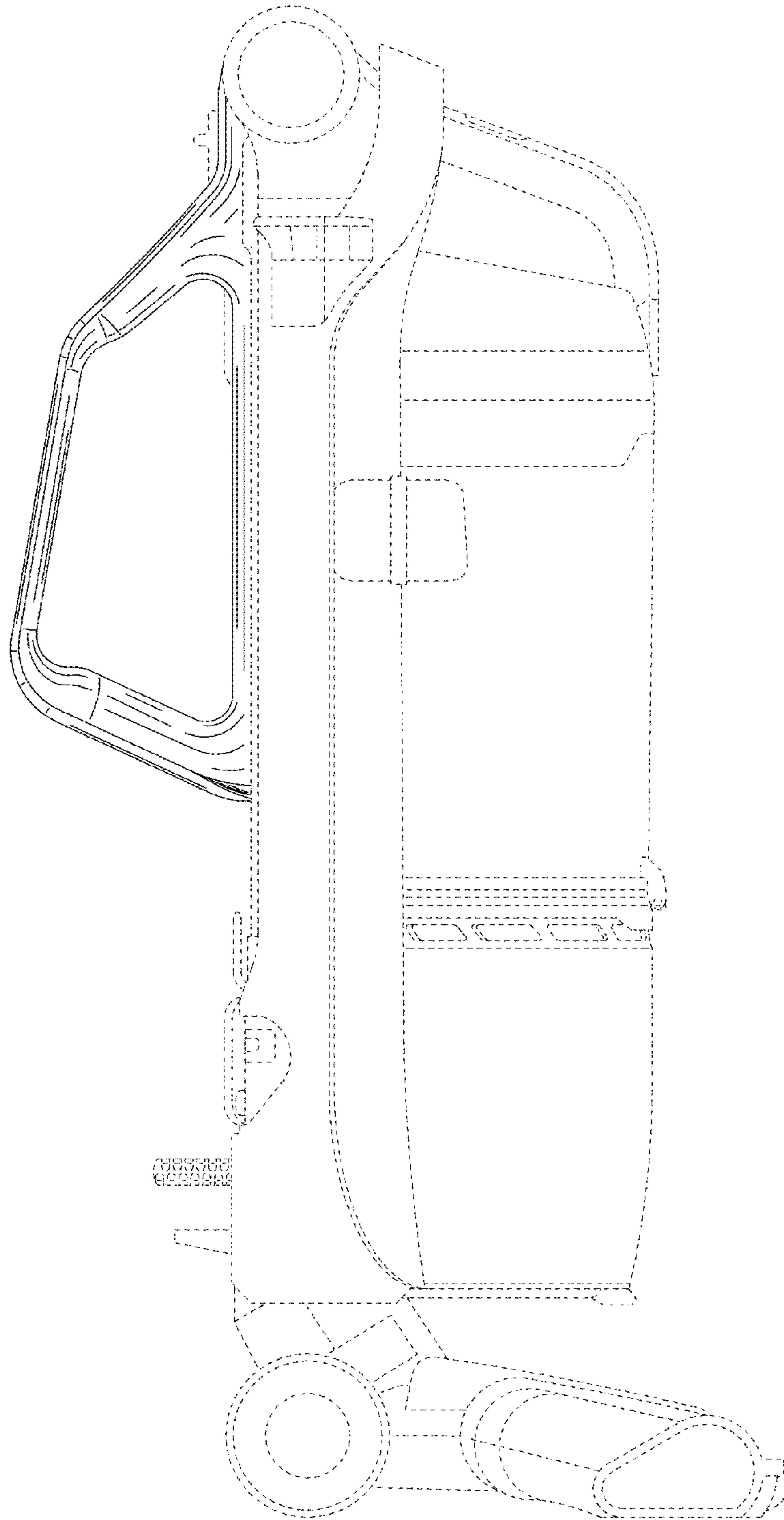


FIG. 5

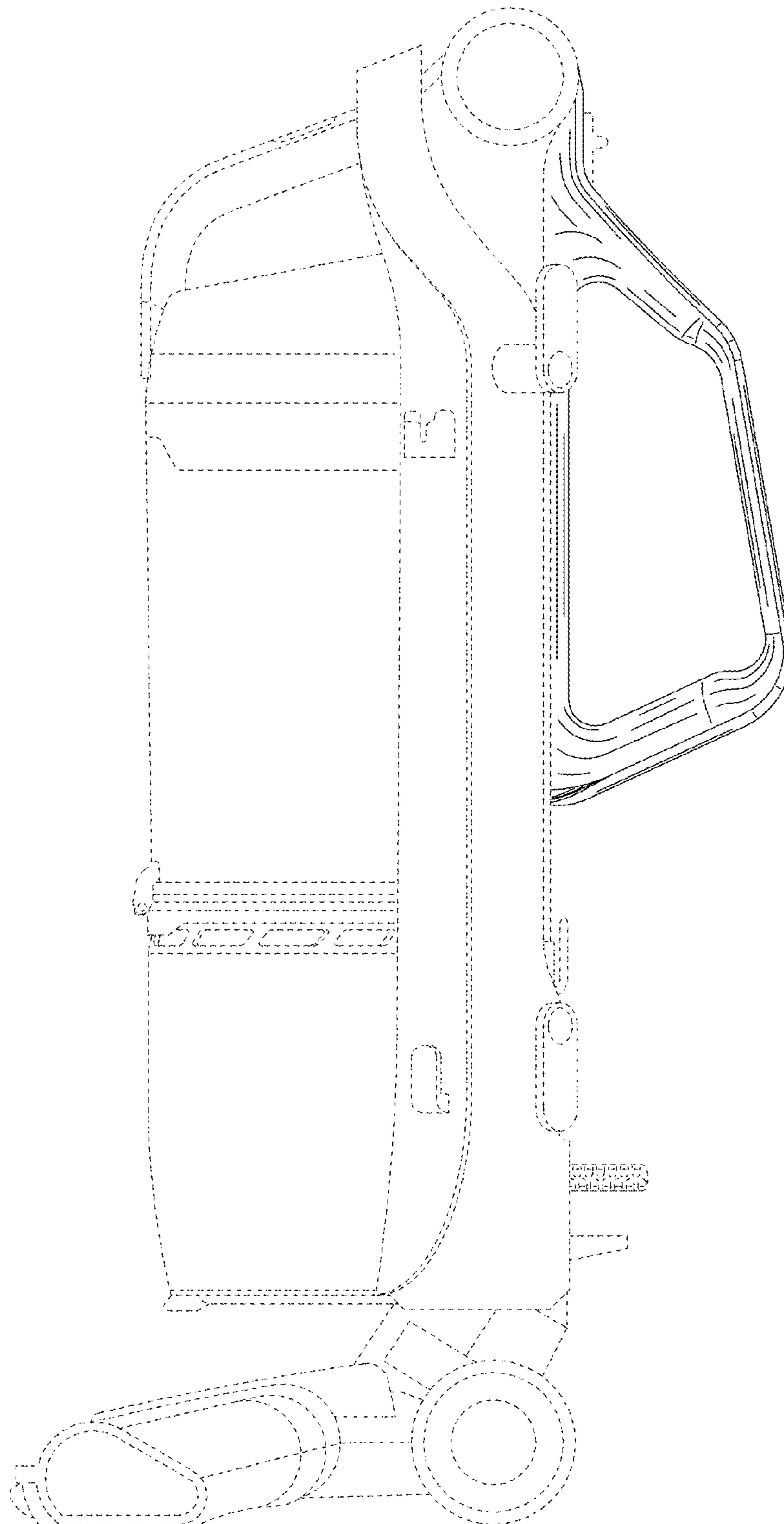


FIG. 6

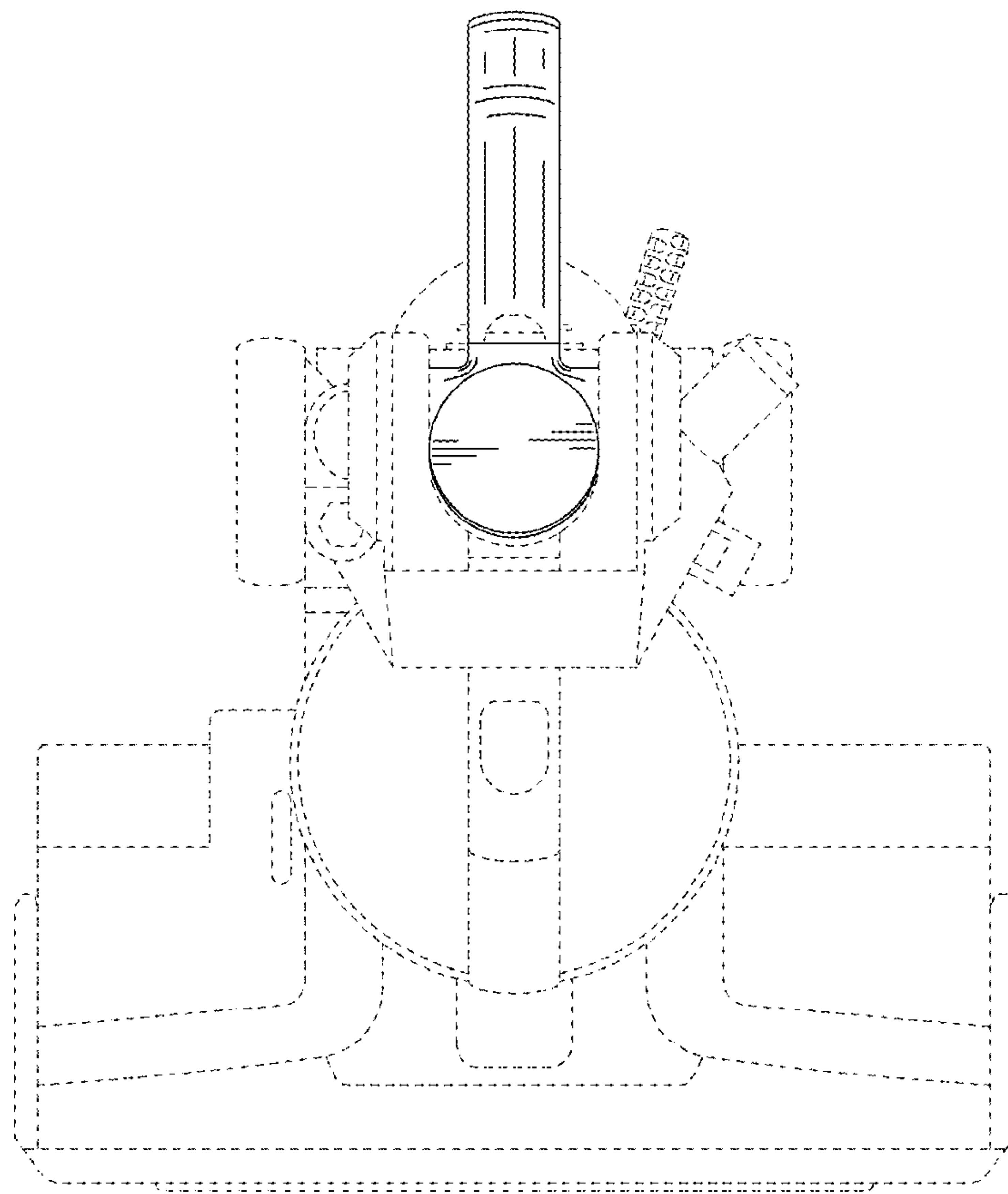


FIG. 7

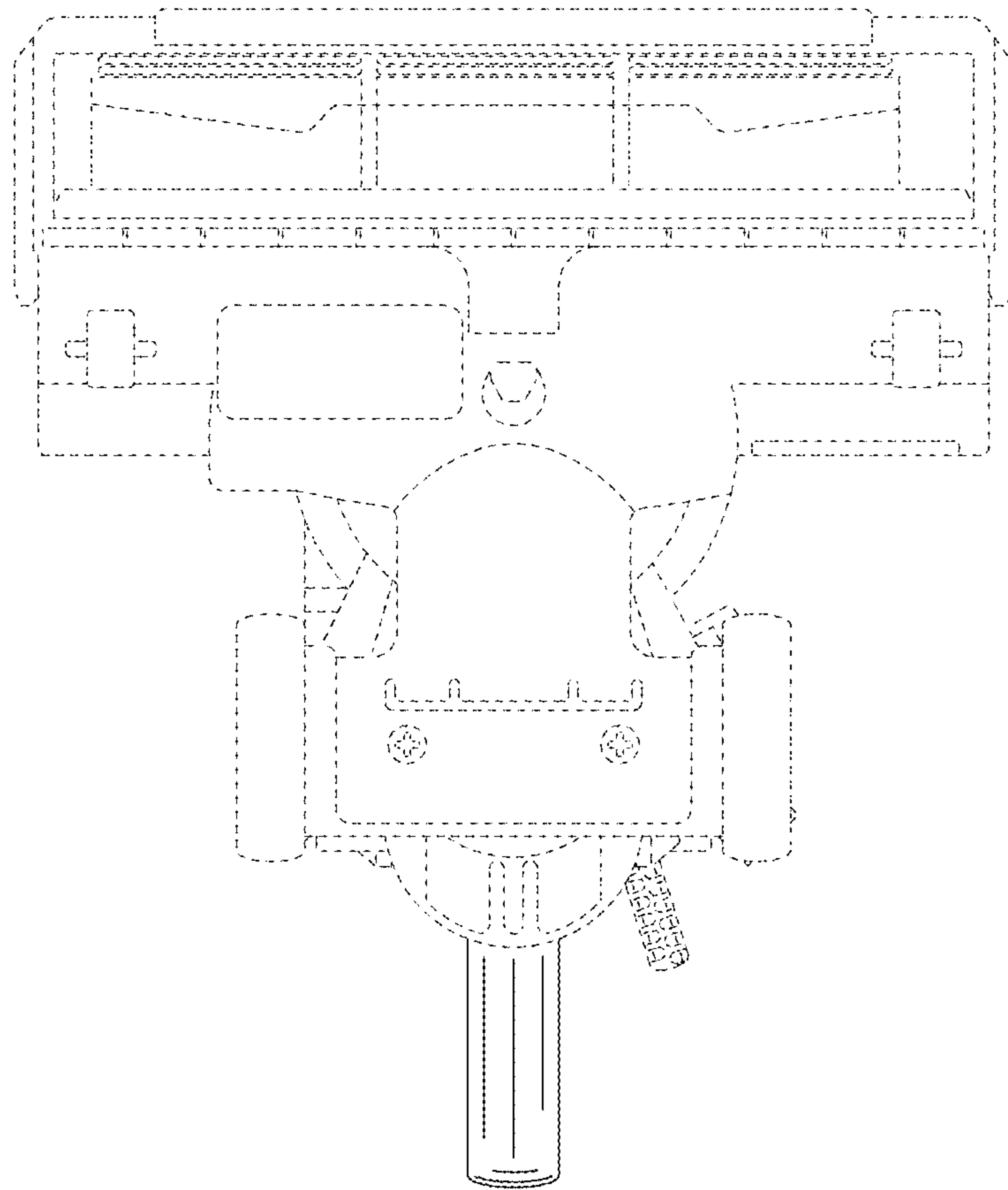


FIG. 8

