



US00D775443S

(12) **United States Design Patent**
Kwon et al.

(10) **Patent No.:** **US D775,443 S**
(45) **Date of Patent:** **** Dec. 27, 2016**

(54) **BRUSH FOR CLEANER**

(71) Applicant: **Samsung Electronics Co., Ltd.**,
Suwon-si (KR)

(72) Inventors: **Soo Yeon Kwon**, San Francisco, CA
(US); **Dong Ju Shin**, Seoul (KR)

(73) Assignee: **Samsung Electronics Co., Ltd.**,
Suwon-si (KR)

(**) Term: **14 Years**

(21) Appl. No.: **29/495,433**

(22) Filed: **Jul. 1, 2014**

(30) **Foreign Application Priority Data**

Jan. 3, 2014 (KR) 30-2014-0000537

(51) **LOC (10) Cl.** **15-05**

(52) **U.S. Cl.**
USPC **D32/33**

(58) **Field of Classification Search**
USPC D32/25, 31-33
CPC A47L 9/02; A47L 9/06; A47L 5/28;
A47L 5/24; A47L 11/4044; E04H 4/1654;
E04H 4/34

See application file for complete search history.

(56) **References Cited**

U.S. PATENT DOCUMENTS

D456,967 S * 5/2002 Santiago D32/32
D457,696 S * 5/2002 Worwag D32/32
D507,854 S * 7/2005 Kim D32/32
D511,231 S * 11/2005 Langham D32/33

D518,932 S * 4/2006 Maruyama D32/32
D541,499 S * 4/2007 Proud D32/32
D564,720 S * 3/2008 Dyson D32/32
D600,869 S * 9/2009 Dyson D32/32
D643,168 S * 8/2011 Dyson D32/32
D649,725 S * 11/2011 Fjellman D32/32
D672,103 S * 12/2012 Dyson D32/32
D680,699 S * 4/2013 Okabe D32/33
D686,379 S * 7/2013 Kim D32/32
D741,559 S * 10/2015 Marsden D32/32
2007/0089263 A1 * 4/2007 Song A47L 9/0081
15/415.1
2012/0216361 A1 * 8/2012 Millington A47L 9/02
15/246.2
2016/0058255 A1 * 3/2016 Kim A47L 9/02
15/327.1

* cited by examiner

Primary Examiner — Ruth McInroy

(74) *Attorney, Agent, or Firm* — NSIP Law

(57) **CLAIM**

We claim the ornamental design for a brush for cleaner, as shown and described.

DESCRIPTION

FIG. 1 is a front perspective view of a brush for cleaner showing our new design;
FIG. 2 is a front view thereof;
FIG. 3 is a rear view thereof;
FIG. 4 is a left-side view thereof;
FIG. 5 is a right-side view thereof; and,
FIG. 6 is a top view thereof.

The broken lines in the figures show portions of the brush for cleaner which form no part of the claimed design.

1 Claim, 6 Drawing Sheets

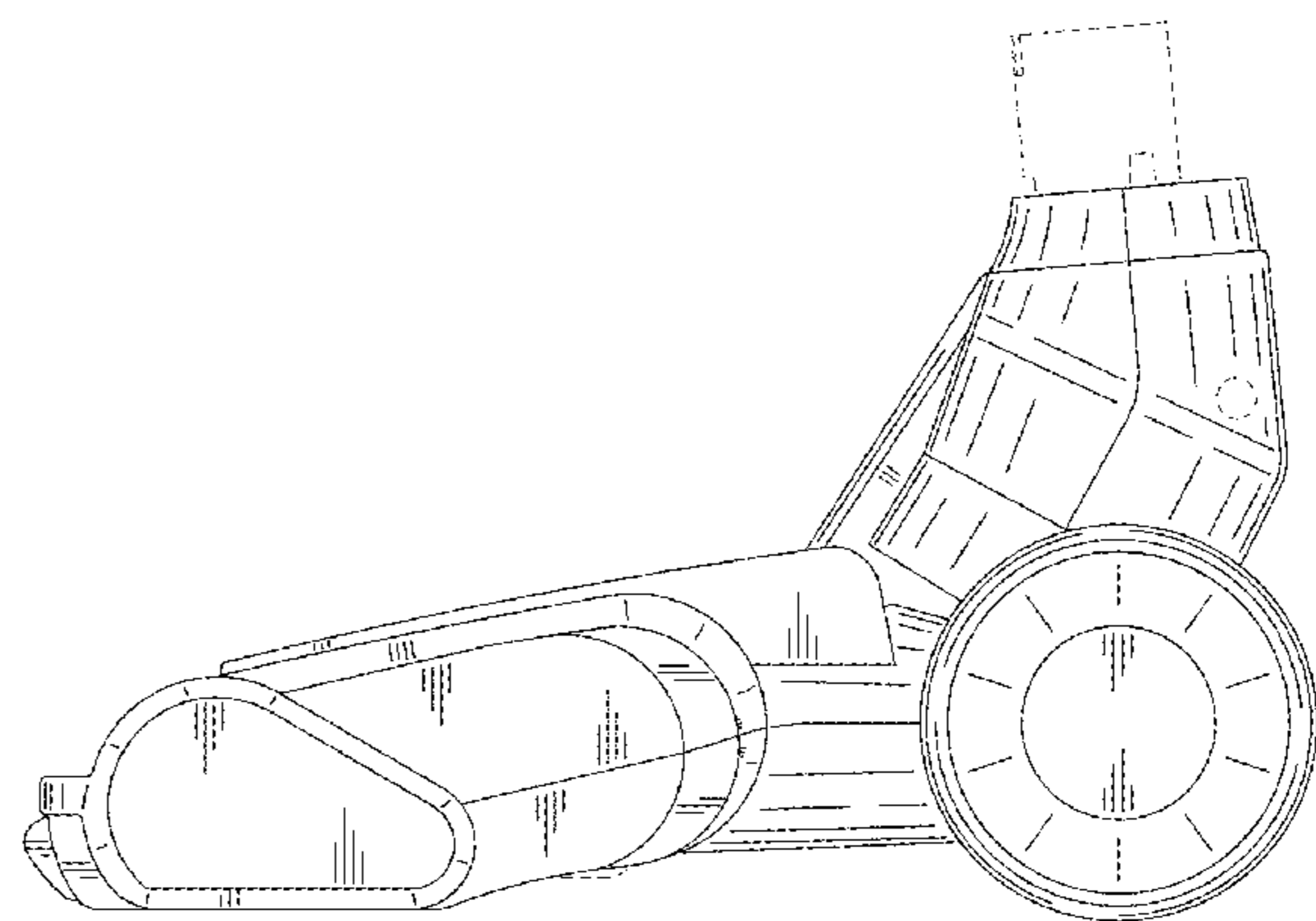
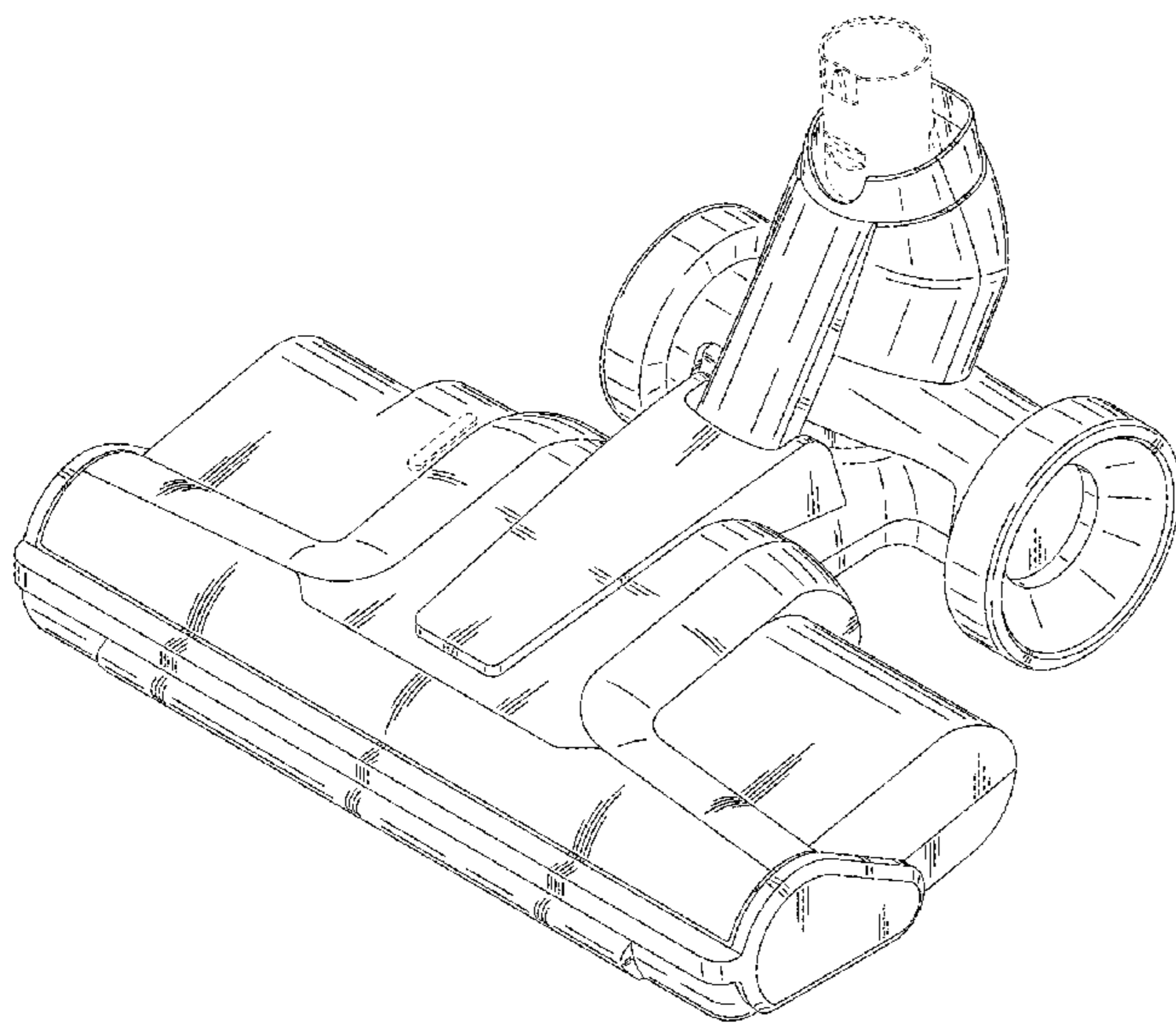


FIG. 1

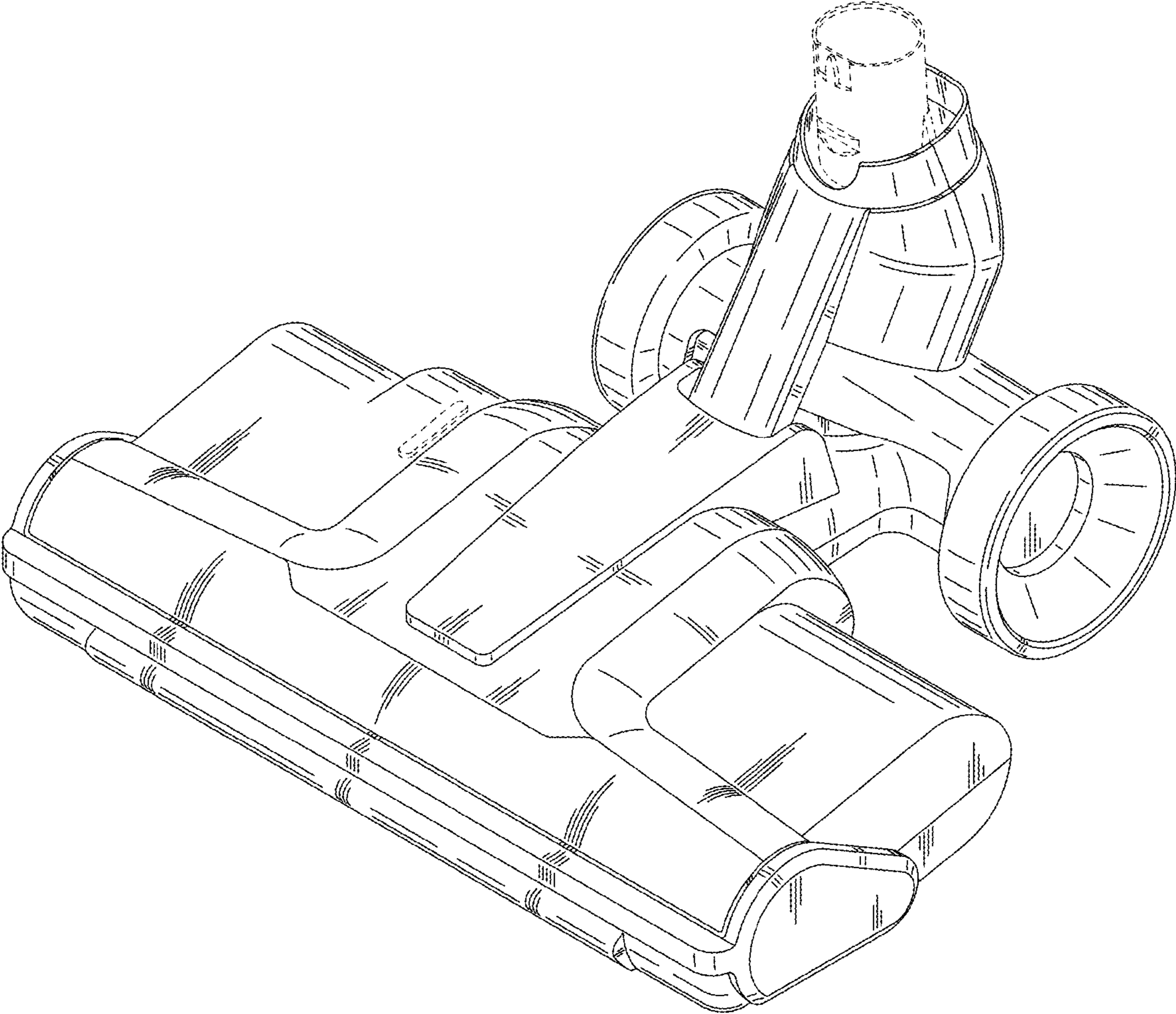


FIG. 2

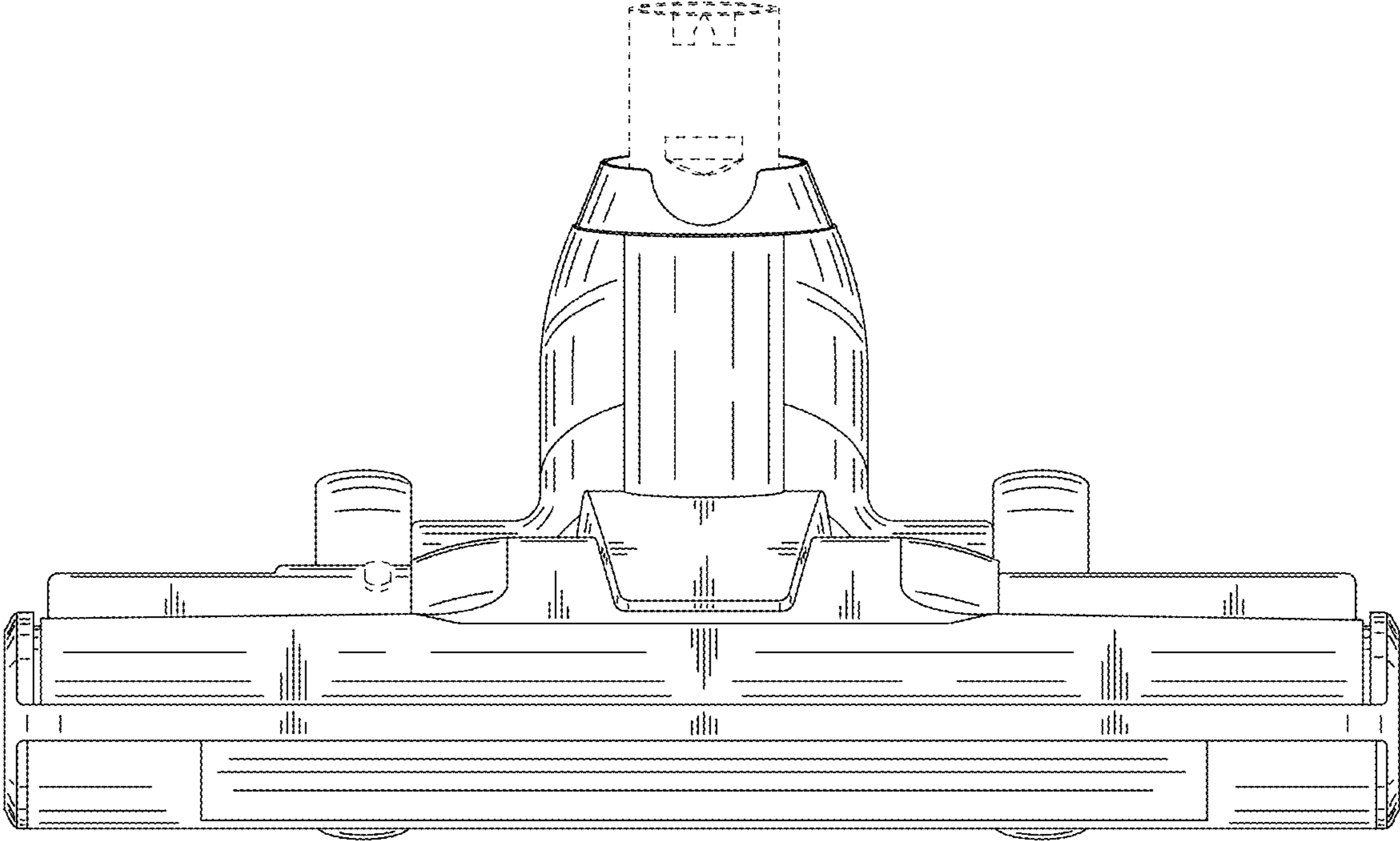


FIG. 3

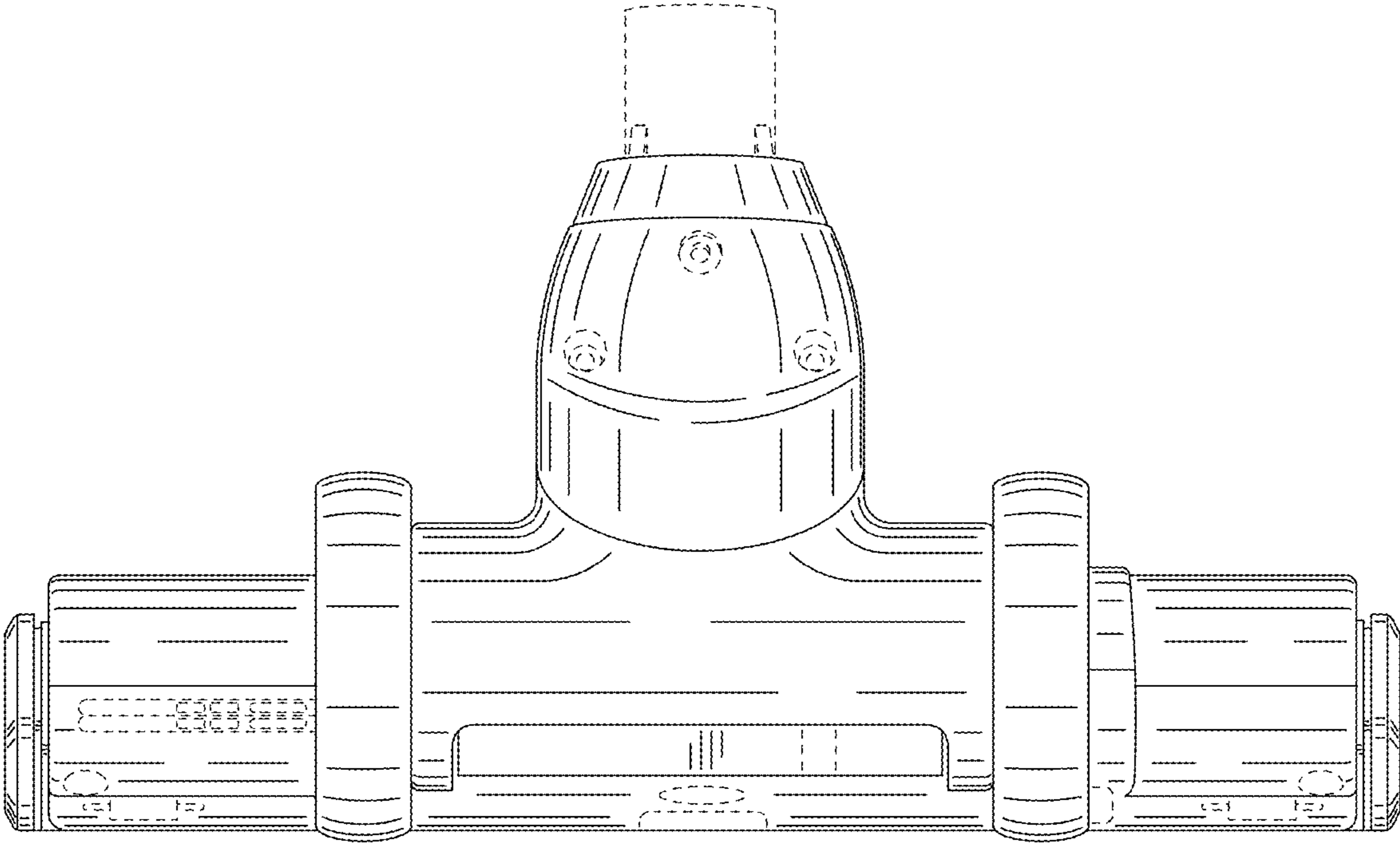


FIG. 4

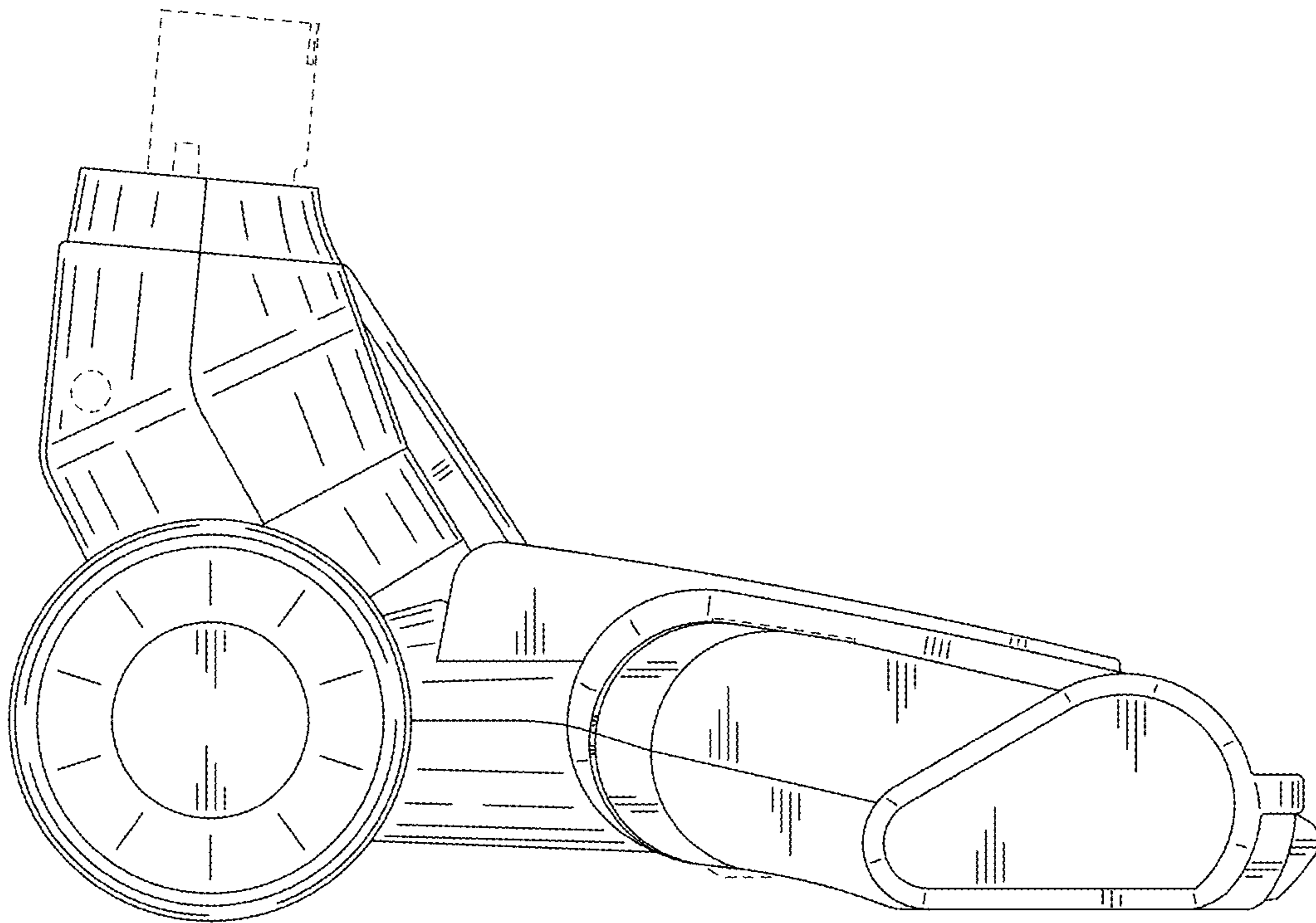


FIG. 5

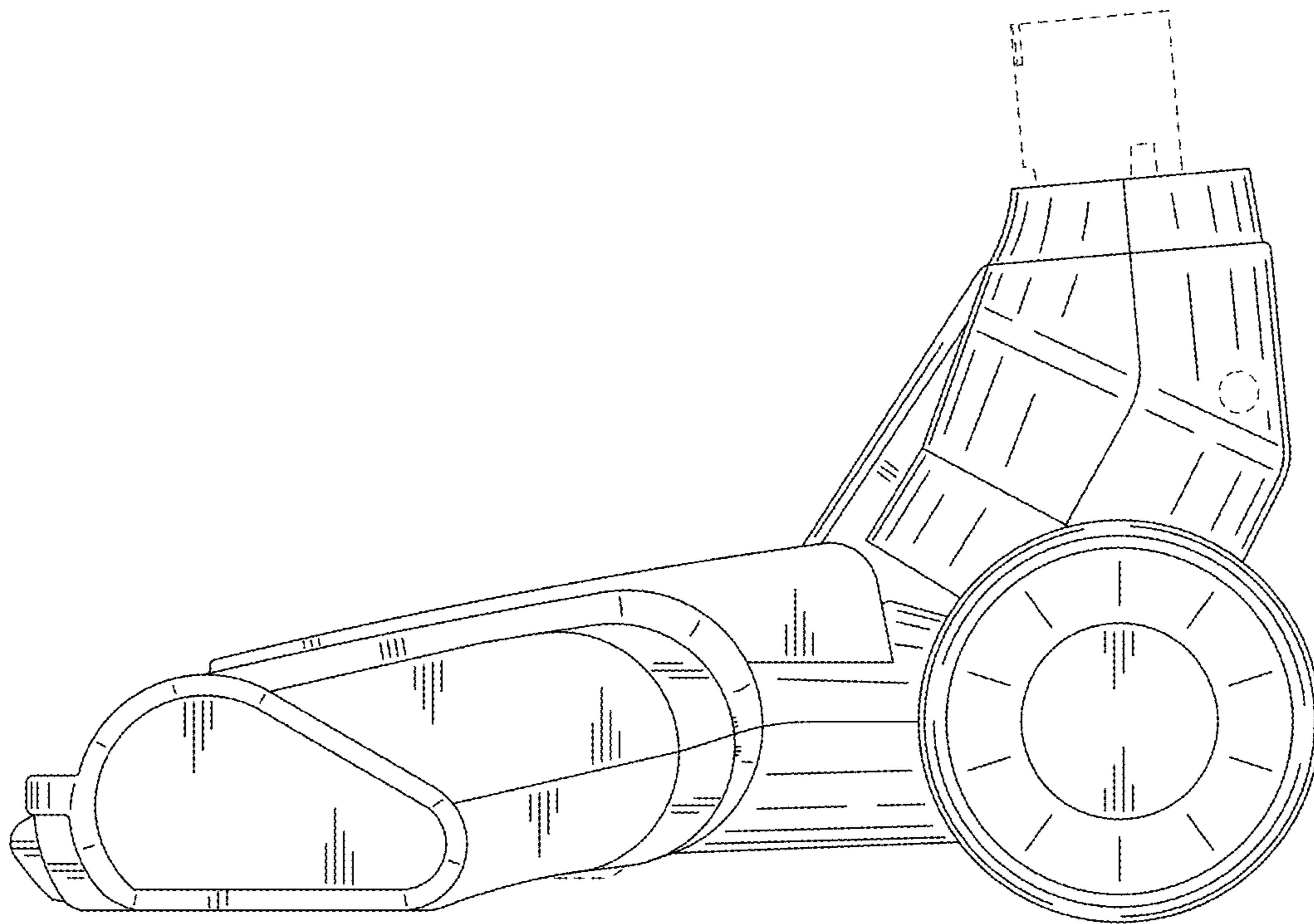


FIG. 6

