



US00D775441S

(12) **United States Design Patent** (10) **Patent No.:** **US D775,441 S**
Joo et al. (45) **Date of Patent:** **** Dec. 27, 2016**

(54) **DOOR FOR WASHING MACHINE**

D422,387 S * 4/2000 Mutoh D32/25
D446,890 S * 8/2001 Cho D32/6
D470,632 S * 2/2003 Oda D32/6

(71) Applicant: **Samsung Electronics Co., Ltd.**,
Suwon-si (KR)

(Continued)

(72) Inventors: **Ahjung Joo**, Seoul (KR); **Jungah Choi**, Seoul (KR); **Sungjae Lee**,
Gwangmyeong-si (KR)

Primary Examiner — T. Chase Nelson
Assistant Examiner — Michelle E Wilson
(74) *Attorney, Agent, or Firm* — NSIP Law

(73) Assignee: **Samsung Electronics Co., Ltd.**,
Suwon-si (KR)

(57) **CLAIM**

We claim the ornamental design for a door for washing machine, as shown and described.

(**) Term: **15 Years**

DESCRIPTION

(21) Appl. No.: **29/535,562**

(22) Filed: **Aug. 7, 2015**

(30) **Foreign Application Priority Data**

May 6, 2015 (KR) 30-2015-0023042

(51) **LOC (10) Cl.** **15-05**

(52) **U.S. Cl.**
USPC **D32/25**

(58) **Field of Classification Search**
USPC D32/25, 67, 53, 53.1, 54
CPC D06F 3/02; D06F 3/00; D06F 1/04;
G10D 13/06

See application file for complete search history.

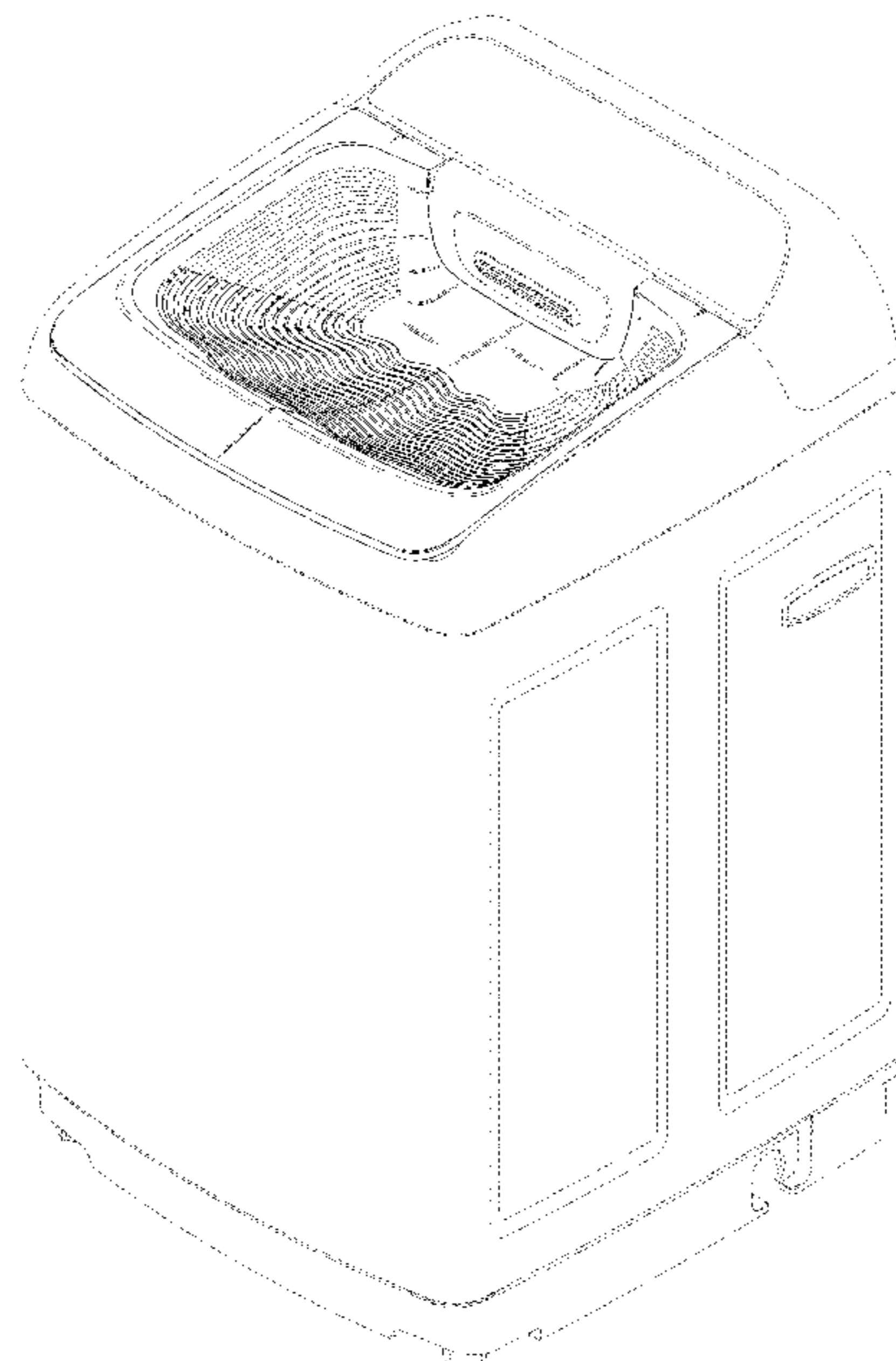
FIG. 1 is the front perspective view of a door for washing machine showing our new design;
FIG. 2 is the front view thereof;
FIG. 3 is the rear view thereof;
FIG. 4 is the left-side view thereof;
FIG. 5 is the right-side view thereof;
FIG. 6 is the top plan view thereof;
FIG. 7 is the bottom plan view thereof;
FIG. 8 is a front perspective view thereof shown in an example environment;
FIG. 9 is the partially enlarged view of FIG. 1;
FIG. 10 is the partially enlarged view of FIG. 3; and,
FIG. 11 is the partially enlarged view of FIG. 6.
The broken lines depict portions of a door for washing machine that form no part of the claimed design.
The dot dash lines in the figures represent an unclaimed boundary line and form no part of the claimed design.
The dot-dot-dash broken lines encircling portions of the claimed design that are illustrated in enlargements form no part of the claimed design.
The dense stippled shading represents the claimed surfaces of the door for washing machine and does not represent surface ornamentation.

(56) **References Cited**

U.S. PATENT DOCUMENTS

D300,279 S * 3/1989 Umehara D32/6
D313,679 S * 1/1991 Sakamoto D32/6
5,469,593 A * 11/1995 Cuthbert D06F 37/302
68/140
5,875,655 A * 3/1999 Herman-Latack D06F 39/026
222/166

1 Claim, 10 Drawing Sheets



(56)

References Cited

U.S. PATENT DOCUMENTS

D503,835	S *	4/2005	Oda	D32/6
D516,258	S *	2/2006	Matsusaki	D32/1
D519,692	S *	4/2006	Jun	D32/6
7,073,356	B2 *	7/2006	Nakamura	D06F 37/10 68/12.26
D541,491	S *	4/2007	Jun	D32/6
D597,712	S *	8/2009	Jeon	D32/6
D599,509	S *	9/2009	Jeon	D32/6
D704,907	S *	5/2014	Yoo	D32/6
D709,657	S *	7/2014	Shin	D32/25
D711,605	S *	8/2014	Jo	D32/25
D729,467	S *	5/2015	Jee	D32/6
D732,762	S *	6/2015	Joo	D32/6
D733,372	S *	6/2015	Song	D32/6
D738,582	S *	9/2015	Chung	D32/6
D744,177	S *	11/2015	Jung	D32/6
D748,355	S *	1/2016	Sim	D32/6

* cited by examiner

FIG. 1

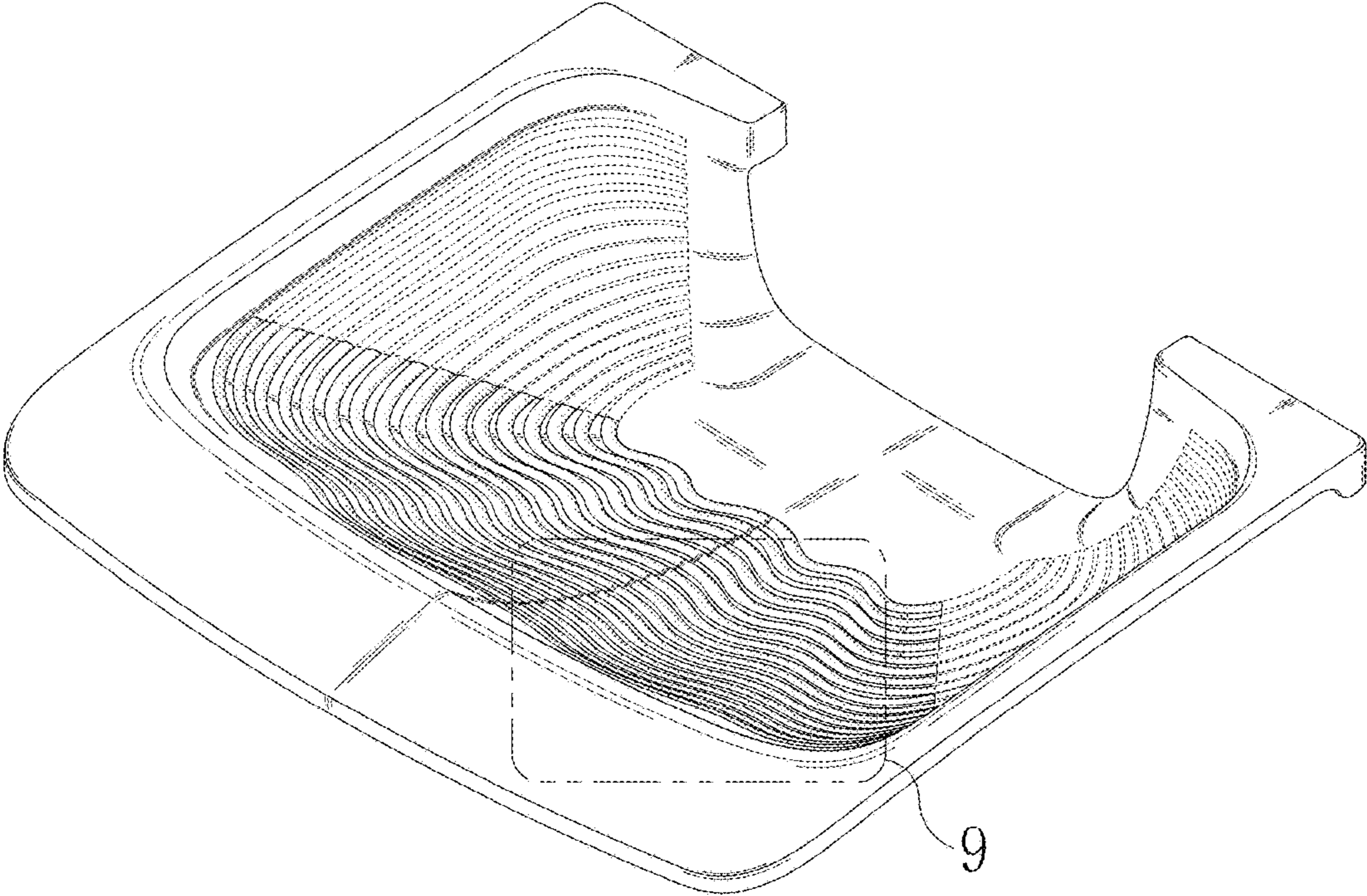


FIG. 2

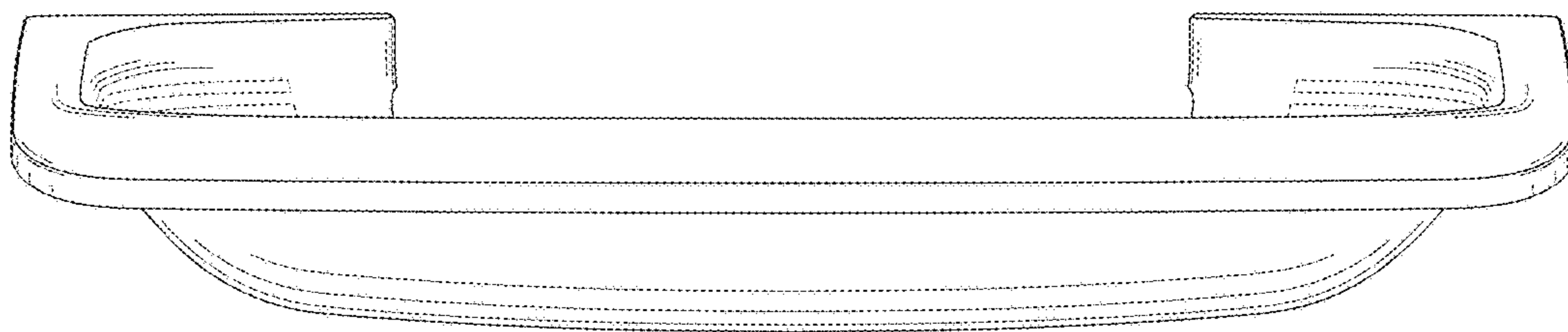


FIG. 3

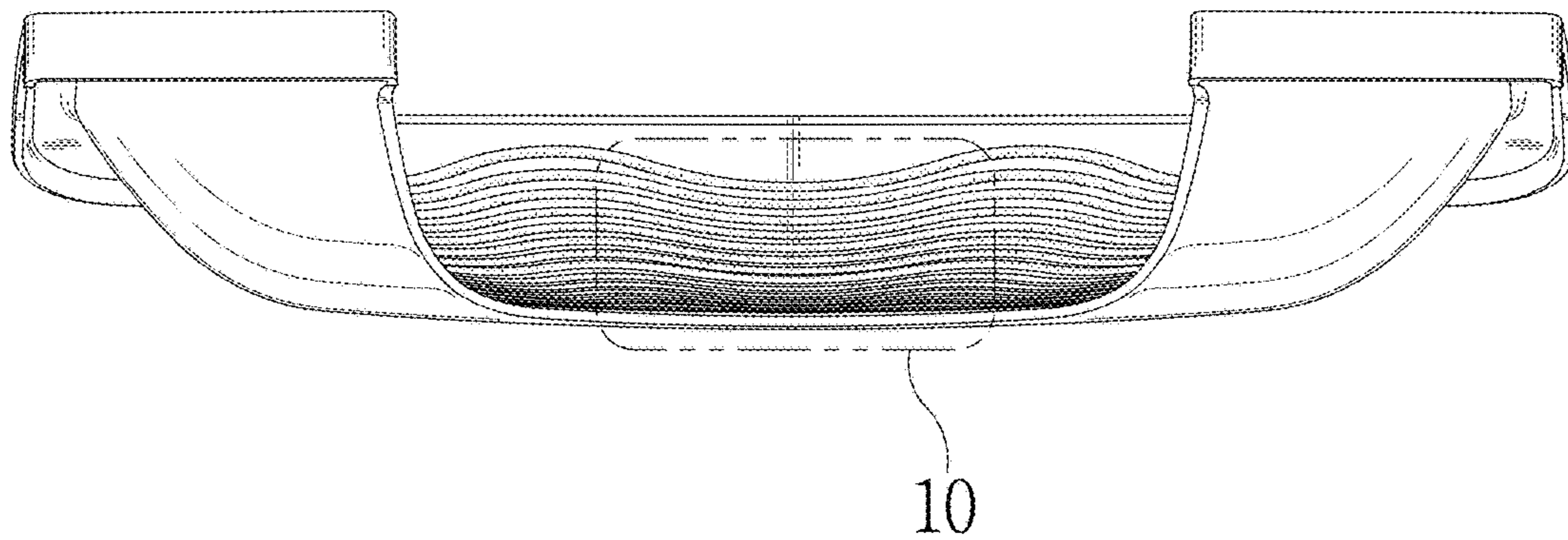


FIG. 4

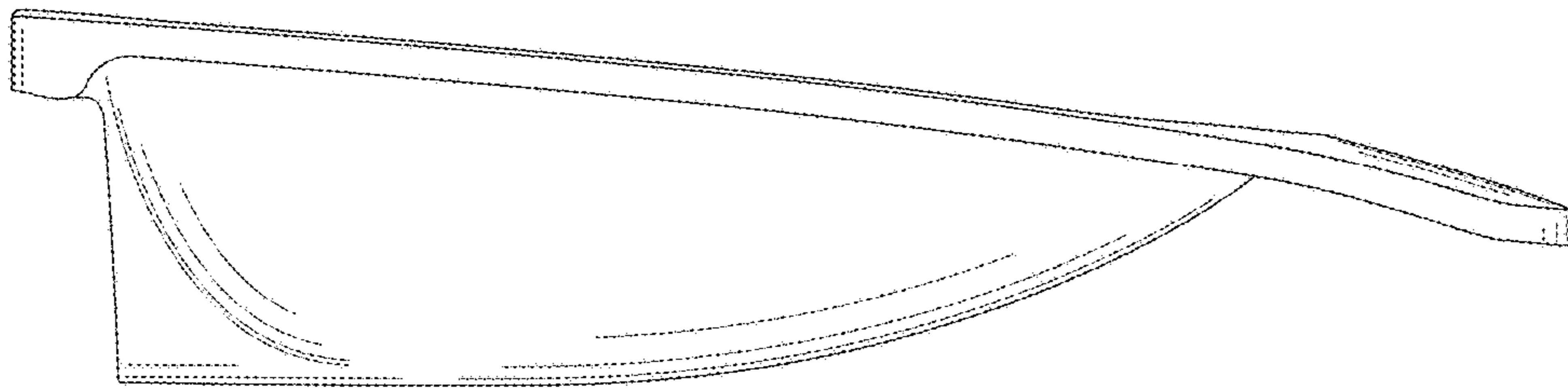


FIG. 5

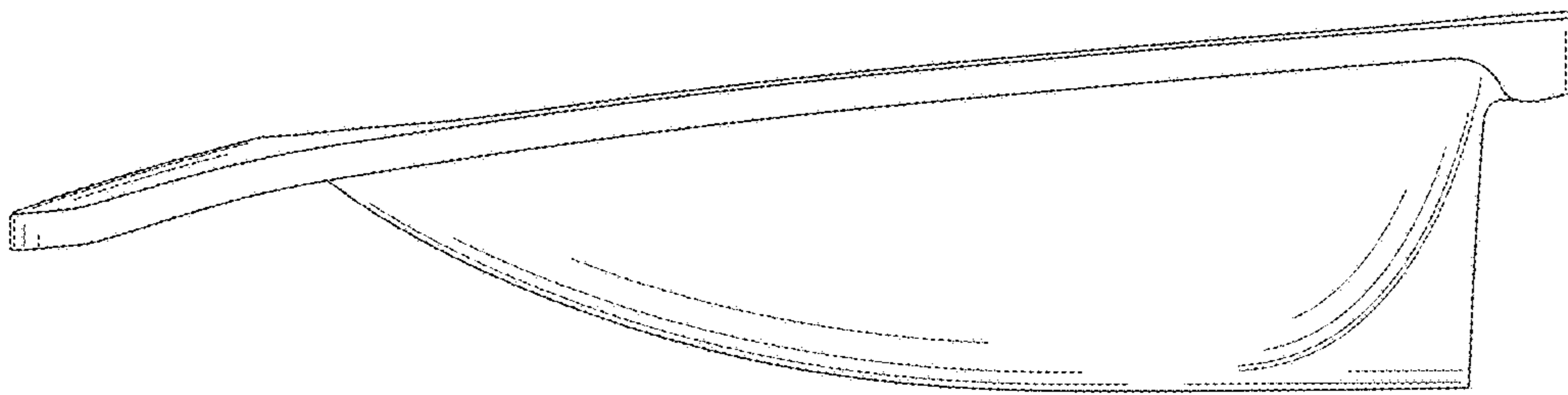


FIG. 6

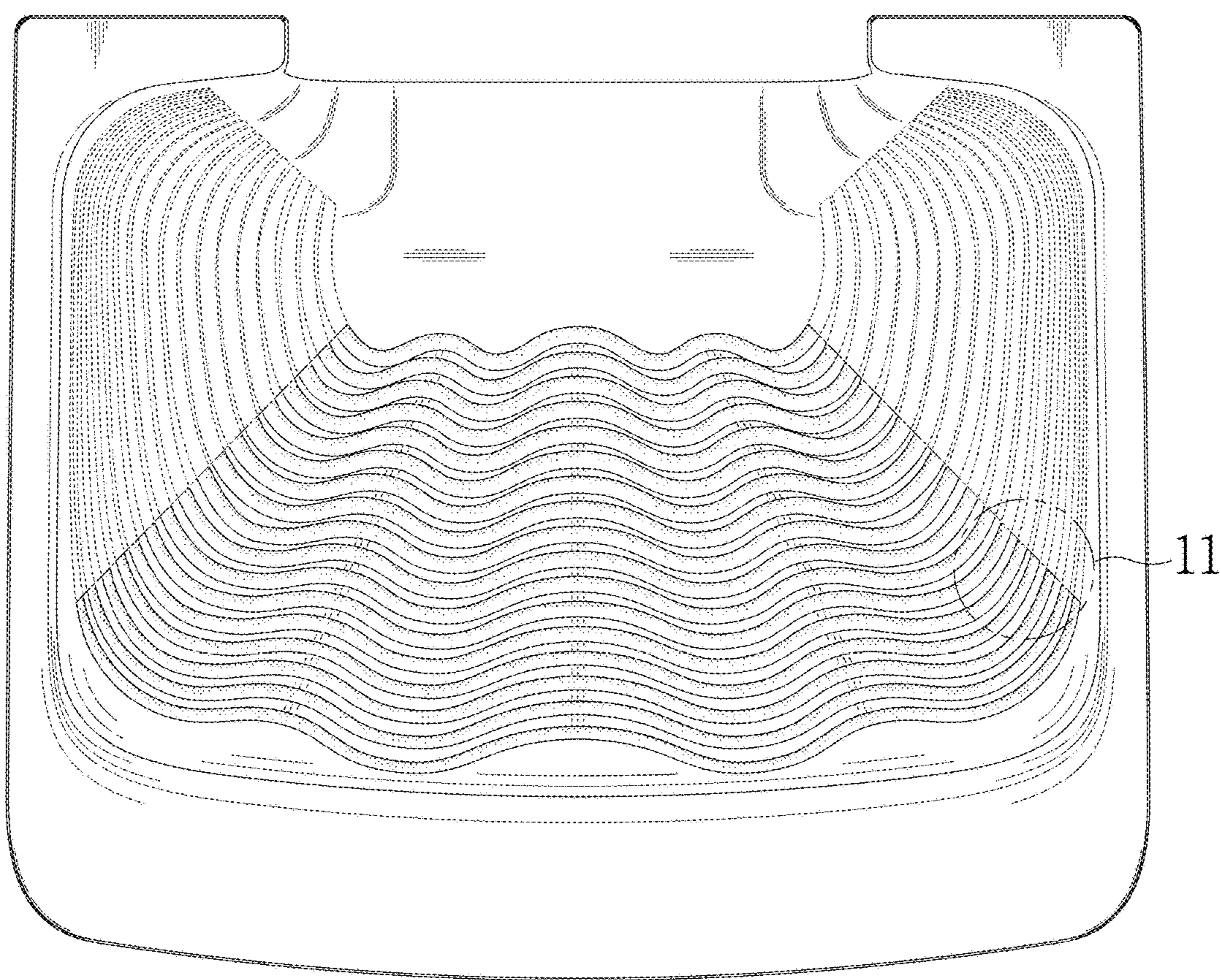


FIG. 7

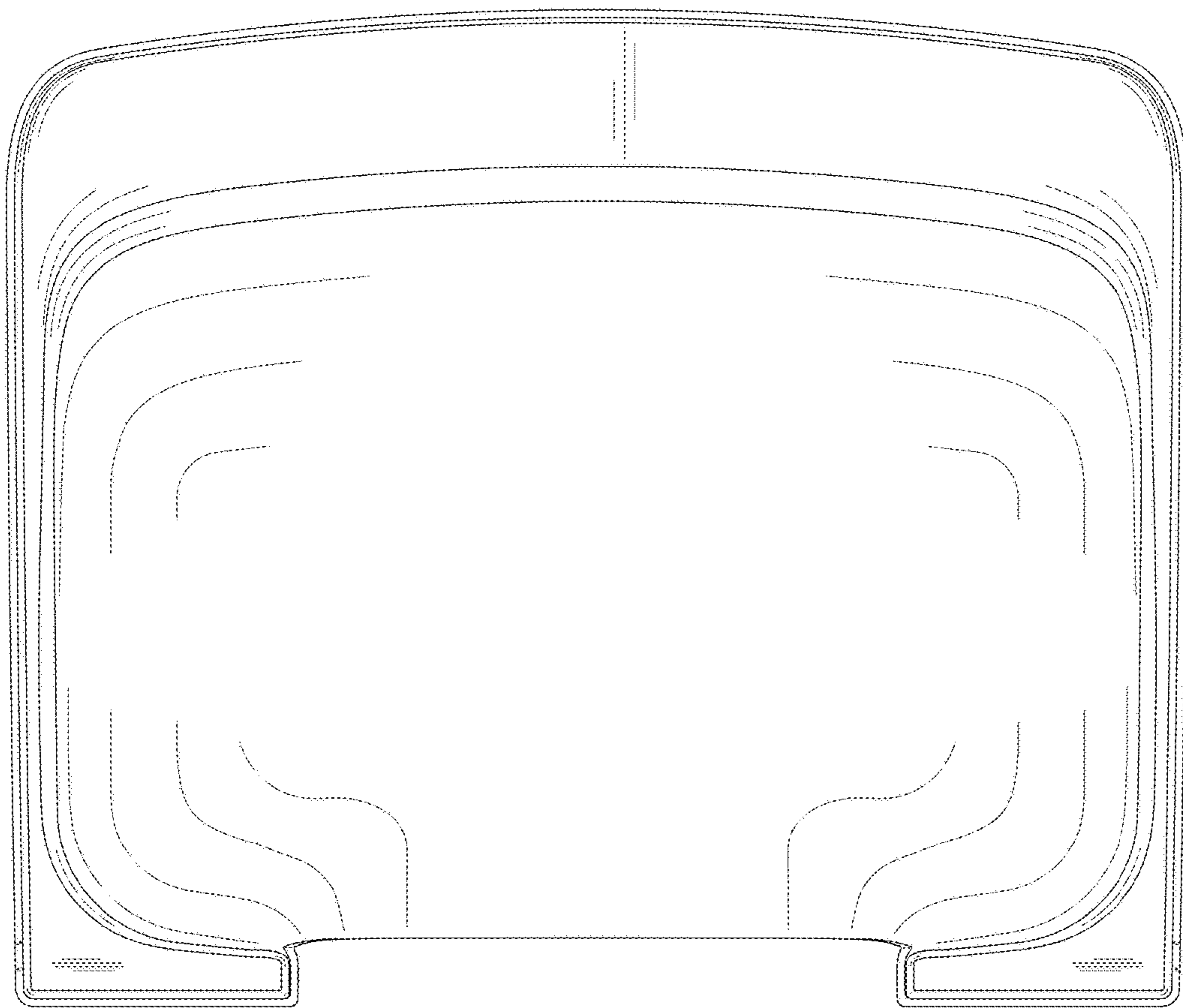


FIG. 8

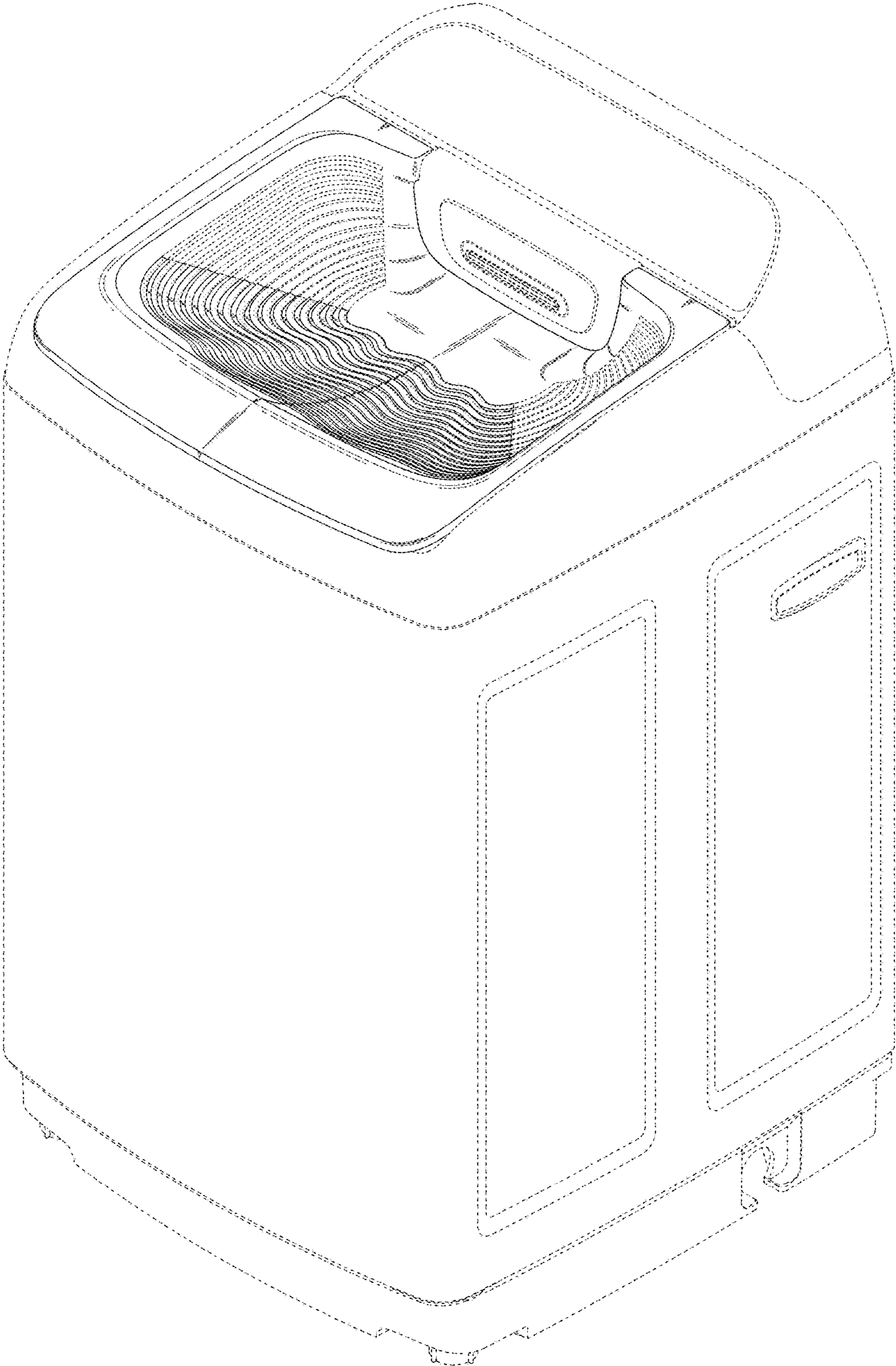


FIG. 9

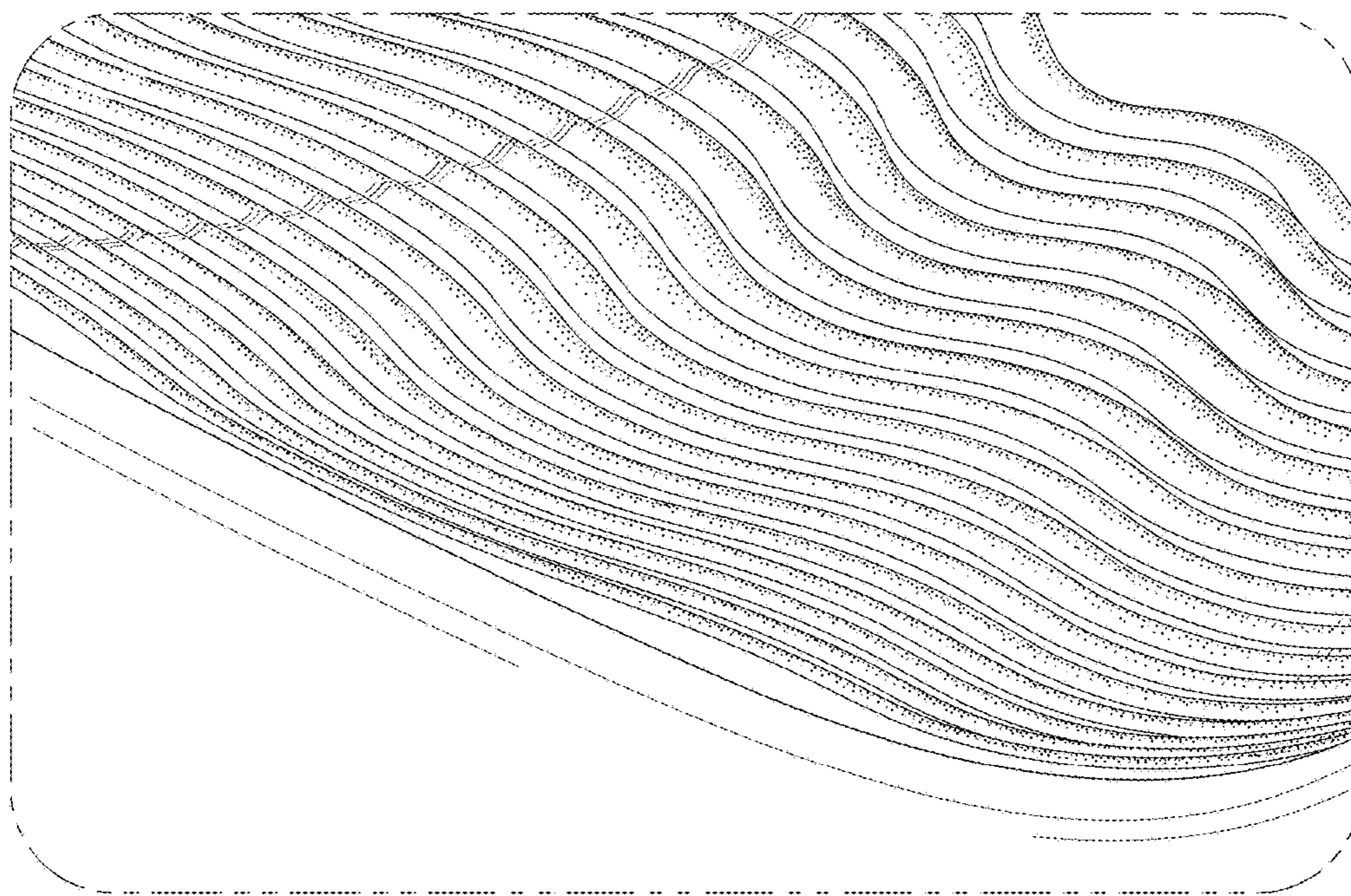


FIG. 10

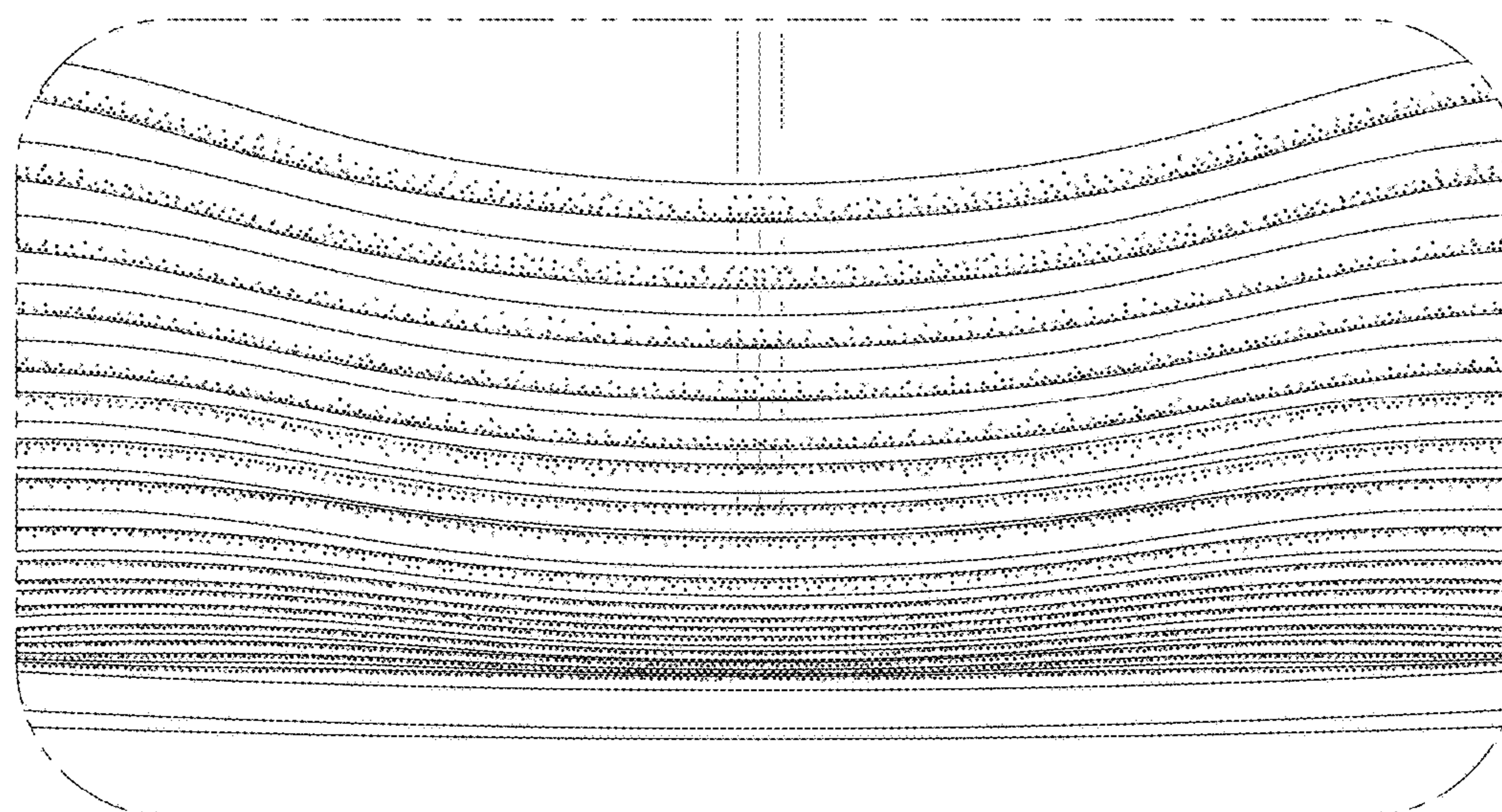


FIG. 11

