



US00D775440S

(12) **United States Design Patent**  
**Kwon et al.**

(10) **Patent No.:** **US D775,440 S**  
(45) **Date of Patent:** **\*\* Dec. 27, 2016**

(54) **CLEANER**

(71) Applicant: **Samsung Electronics Co., Ltd.**,  
Suwon-si (KR)

(72) Inventors: **Soo Yeon Kwon**, San Francisco, CA  
(US); **Dong Ju Shin**, Seoul (KR)

(73) Assignee: **Samsung Electronics Co., Ltd.**,  
Suwon-si (KR)

(\*\*) Term: **14 Years**

(21) Appl. No.: **29/495,434**

(22) Filed: **Jul. 1, 2014**

(30) **Foreign Application Priority Data**

Jan. 3, 2014 (KR) ..... 30-2014-0000536

(51) **LOC (10) Cl.** ..... **15-05**

(52) **U.S. Cl.**  
USPC ..... **D32/22**

(58) **Field of Classification Search**  
USPC ... D32/17-18, 21-24, 31, 34, 40, 42, 49-52  
CPC ..... A47L 5/28; A47L 5/32; A47L 5/362;  
A47L 5/365; A47L 5/24; A47L  
5/34; A47L 7/0038; A47L 9/26; A47L  
9/2857; A47L 9/20; A47L 9/02; A47L  
9/322; A47L 9/325; A47L 11/34; A47L  
11/40; A47L 11/4044; A47L 11/20; A47L  
11/146  
See application file for complete search history.

(56) **References Cited**

**U.S. PATENT DOCUMENTS**

D462,813 S \* 9/2002 Nakano ..... D32/22  
D510,465 S \* 10/2005 Takahashi ..... D32/22

|                   |         |         |       |                     |
|-------------------|---------|---------|-------|---------------------|
| D537,584 S *      | 2/2007  | Greene  | ..... | D32/22              |
| D553,313 S *      | 10/2007 | Parr    | ..... | D32/22              |
| D553,814 S *      | 10/2007 | Parr    | ..... | D32/22              |
| D587,870 S *      | 3/2009  | Baek    | ..... | D32/22              |
| D610,317 S *      | 2/2010  | Lee     | ..... | D32/22              |
| D610,318 S *      | 2/2010  | Shin    | ..... | D32/22              |
| D633,264 S *      | 2/2011  | Lee     | ..... | D32/22              |
| D652,589 S *      | 1/2012  | Lee     | ..... | D32/22              |
| D662,271 S *      | 6/2012  | Conrad  | ..... | D32/31              |
| D670,878 S *      | 11/2012 | Lee     | ..... | D32/22              |
| D686,377 S *      | 7/2013  | Thorne  | ..... | D32/31              |
| D695,980 S *      | 12/2013 | Thorne  | ..... | D32/22              |
| D726,980 S *      | 4/2015  | Kim     | ..... | D32/22              |
| D730,001 S *      | 5/2015  | Yun     | ..... | D32/22              |
| D732,253 S *      | 6/2015  | Cheon   | ..... | D32/22              |
| D735,426 S *      | 7/2015  | Yun     | ..... | D32/22              |
| D739,104 S *      | 9/2015  | Johnson | ..... | D32/31              |
| D740,505 S *      | 10/2015 | Gidwell | ..... | D32/31              |
| 2013/0232724 A1 * | 9/2013  | Krebs   | ..... | A47L 5/28<br>15/353 |

\* cited by examiner

*Primary Examiner* — Ruth McInroy

(74) *Attorney, Agent, or Firm* — NSIP Law

(57) **CLAIM**

We claim the ornamental design for a cleaner, as shown and described.

**DESCRIPTION**

FIG. 1 is a front perspective view of a cleaner showing our new design;

FIG. 2 is a front view thereof;

FIG. 3 is a rear view thereof;

FIG. 4 is a left-side view thereof;

FIG. 5 is a right-side view thereof; and,

FIG. 6 is a top view thereof.

The broken lines in the figures show portions of the cleaner which form no part of the claimed design.

**1 Claim, 6 Drawing Sheets**

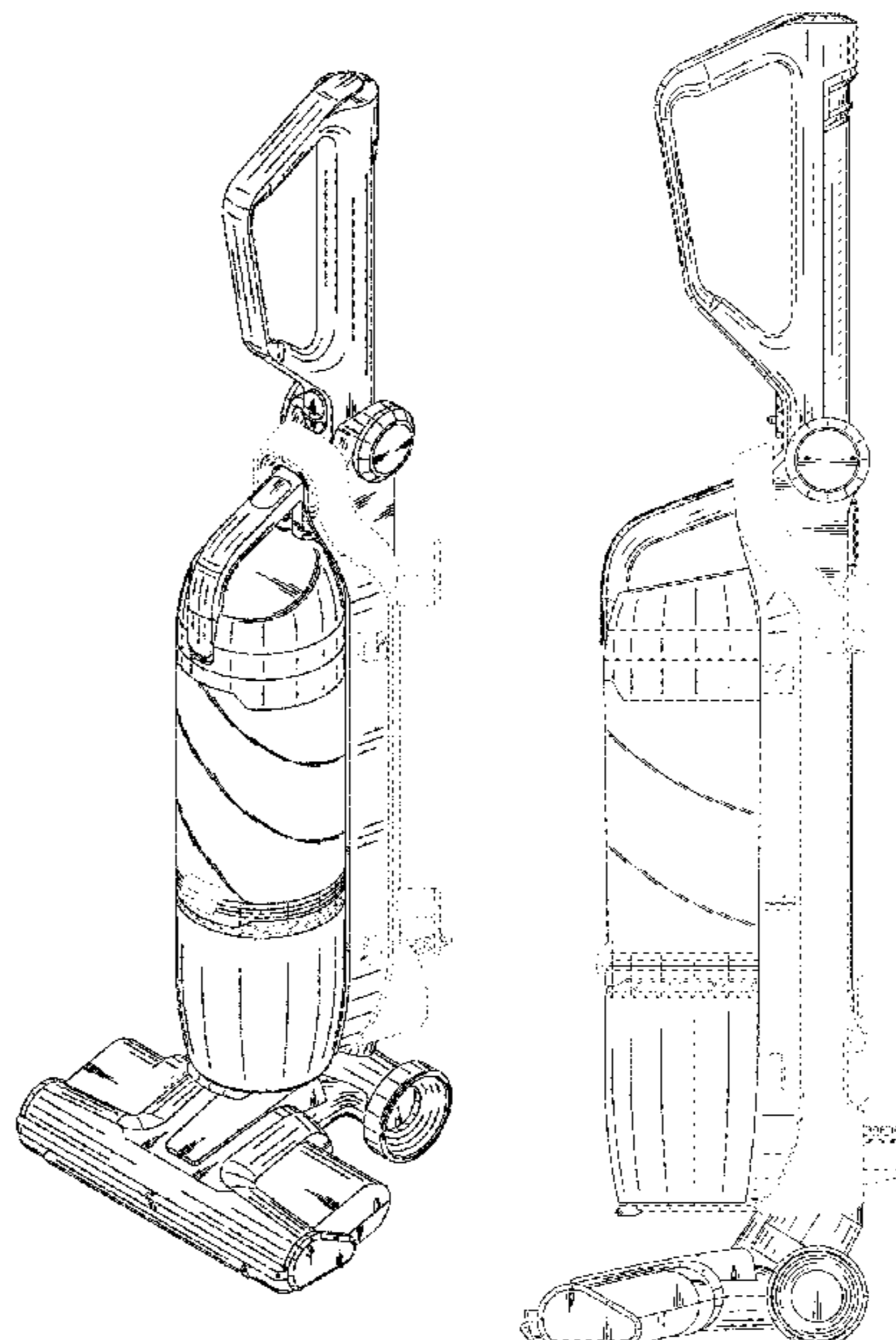


FIG. 1

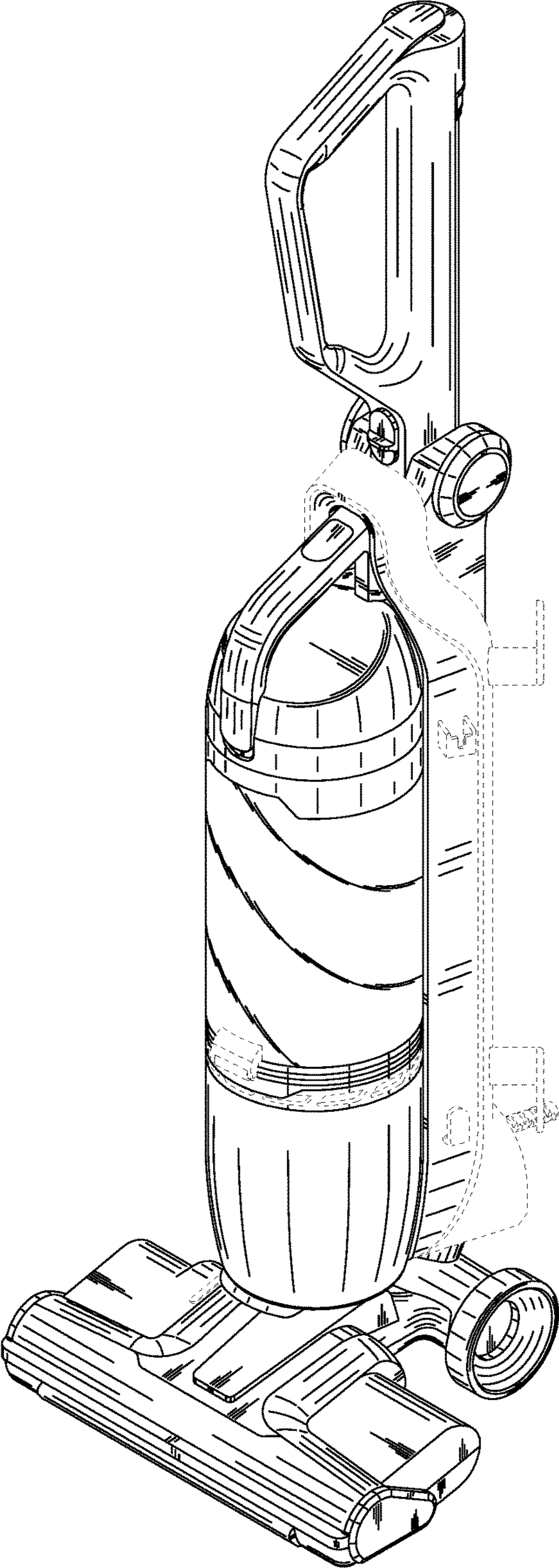


FIG. 2

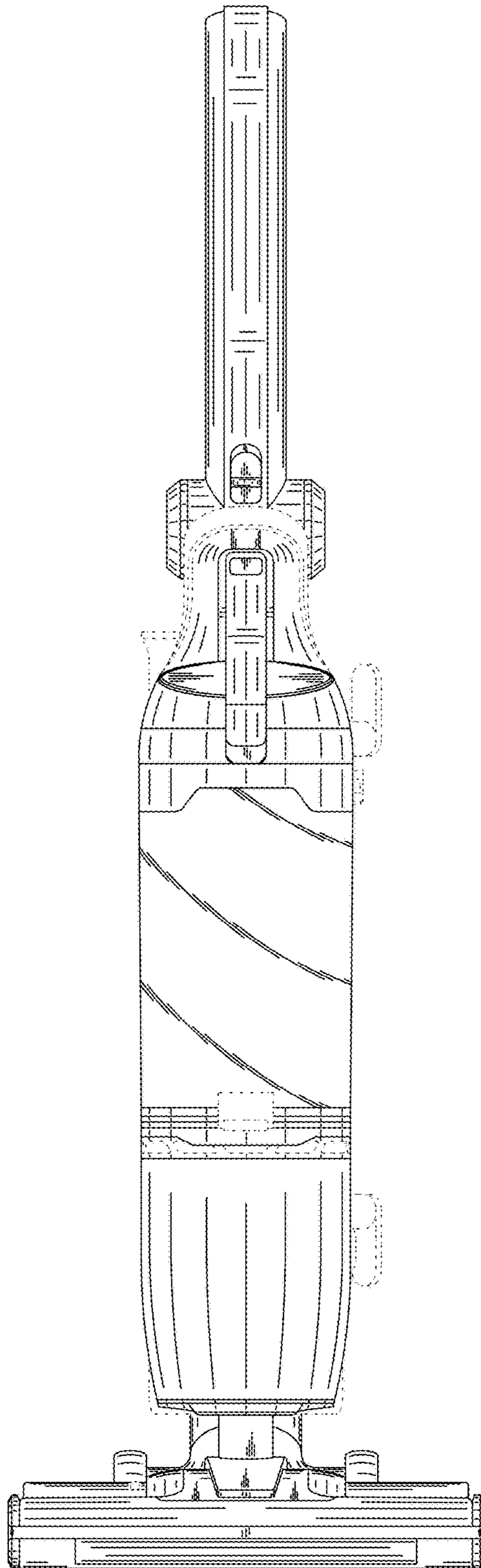


FIG. 3

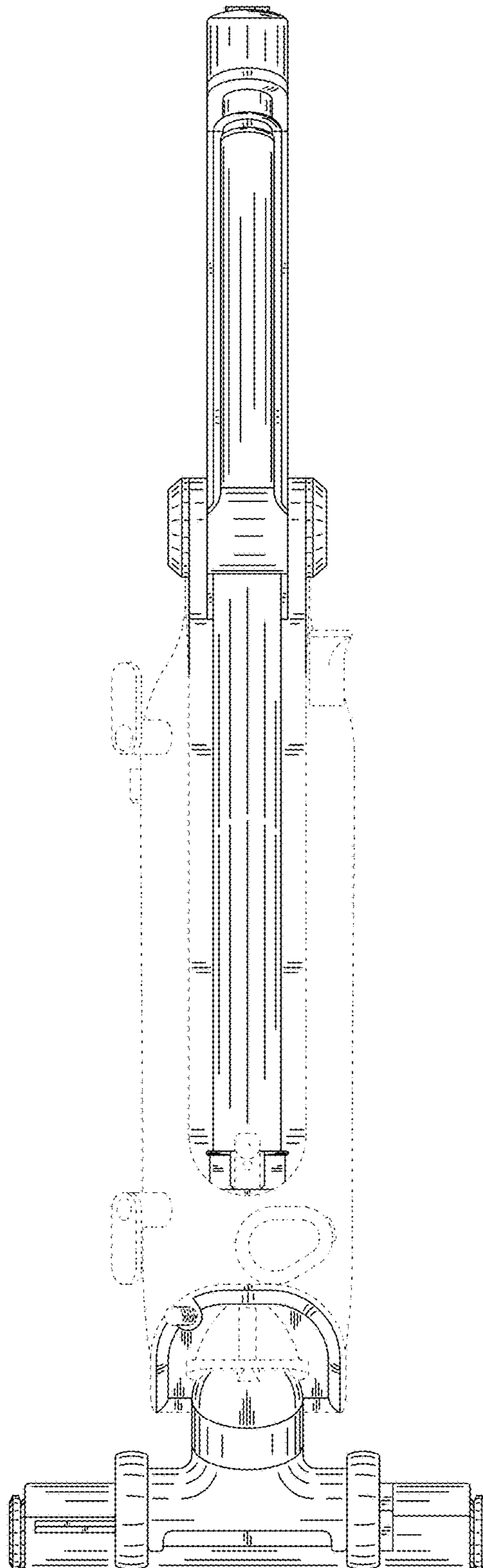


FIG. 4

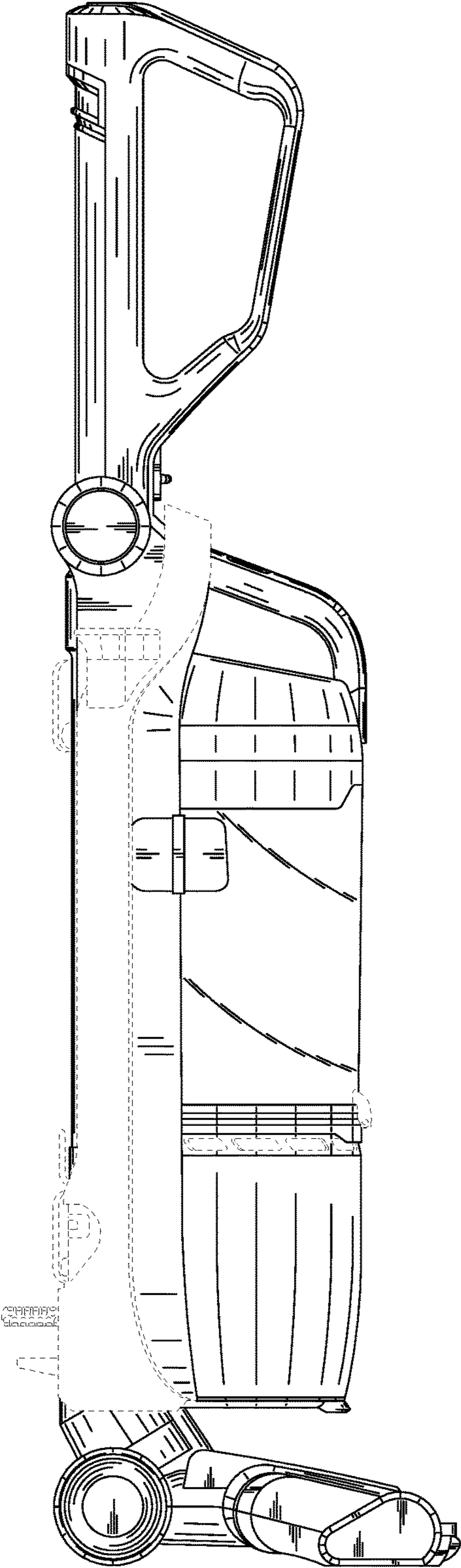


FIG. 5

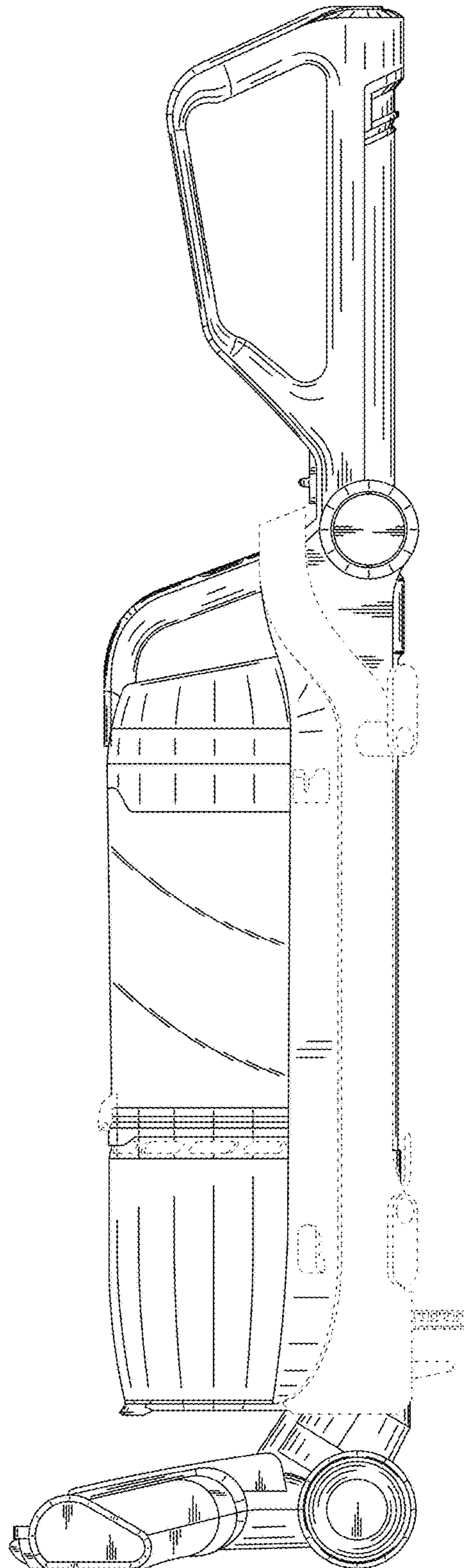


FIG. 6

