



US00D775438S

(12) **United States Design Patent** (10) **Patent No.:** **US D775,438 S**  
**Kang et al.** (45) **Date of Patent:** **\*\* Dec. 27, 2016**

(54) **WASHING MACHINE**  
(71) Applicant: **Samsung Electronics Co., Ltd.**,  
Suwon-si (KR)  
(72) Inventors: **Yoonjong Kang**, Seoul (KR); **Dongwon Chun**, Seoul (KR)  
(73) Assignee: **Samsung Electronics Co., Ltd.**,  
Suwon-si (KR)

D541,491 S \* 4/2007 Jun ..... D32/6  
D547,915 S \* 7/2007 Jun ..... D32/6  
D704,907 S 5/2014 Yoo et al.  
D709,657 S \* 7/2014 Shin ..... D32/25  
D711,605 S \* 8/2014 Jo ..... D32/25  
D729,995 S \* 5/2015 Song ..... D32/6  
D744,177 S \* 11/2015 Jung ..... D32/6  
D748,355 S \* 1/2016 Sim ..... D32/6  
D762,027 S \* 7/2016 Choi ..... D32/25

(\*\*) Term: **15 Years**

(21) Appl. No.: **29/536,076**

(22) Filed: **Aug. 13, 2015**

(30) **Foreign Application Priority Data**

Feb. 13, 2015 (KR) ..... 30-2015-0007975

(51) **LOC (10) Cl.** ..... **15-05**

(52) **U.S. Cl.**  
USPC ..... **D32/6**

(58) **Field of Classification Search**  
USPC ..... D32/1, 5-6, 8, 25, 28, 29, 67  
CPC .... D06F 33/02; D06F 39/02; D06F 2204/065;  
D06F 25/00; D06F 35/006  
See application file for complete search history.

(56) **References Cited**

**U.S. PATENT DOCUMENTS**

D289,212 S \* 4/1987 Nakamura ..... D32/6  
D300,279 S \* 3/1989 Umehara ..... D32/6  
D422,387 S 4/2000 Mutoh et al.  
D446,890 S \* 8/2001 Cho ..... D32/6  
D470,632 S \* 2/2003 Oda ..... D32/6  
D516,258 S \* 2/2006 Matsusaki ..... D32/1  
D519,692 S \* 4/2006 Jun ..... D32/6  
D537,991 S \* 3/2007 Jun ..... D32/6  
D539,995 S \* 4/2007 Im ..... D32/6

**FOREIGN PATENT DOCUMENTS**

CN 201430062671 9/2014  
KR 30-2010-0057222 3/2012  
KR 30-2013-0034129 10/2013

\* cited by examiner

*Primary Examiner* — T. Chase Nelson  
*Assistant Examiner* — Michelle E Wilson  
(74) *Attorney, Agent, or Firm* — NSIP Law

(57) **CLAIM**

We claim the ornamental design for a washing machine, as shown and described.

**DESCRIPTION**

FIG. 1 is a front perspective view of a washing machine showing our new design;  
FIG. 2 is a front view thereof;  
FIG. 3 is a rear view thereof;  
FIG. 4 is a left-side view thereof;  
FIG. 5 is a right-side view thereof;  
FIG. 6 is a top view thereof;  
FIG. 7 is a bottom view thereof; and,  
FIG. 8 is another perspective view thereof shown in a state of use.  
The broken lines in the figures show portions of the washing machine which form no part of the claimed design.

**1 Claim, 8 Drawing Sheets**

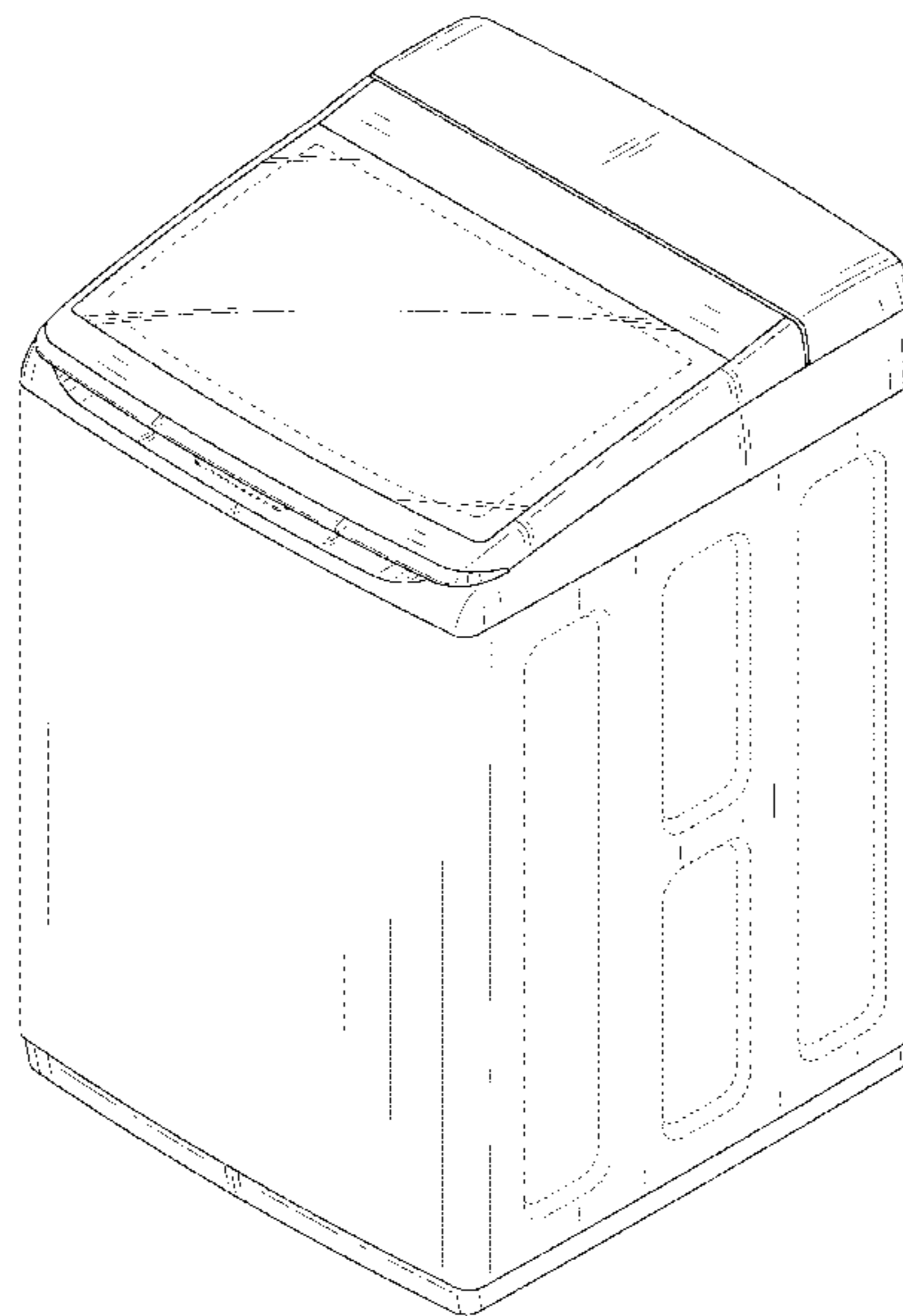


FIG. 1

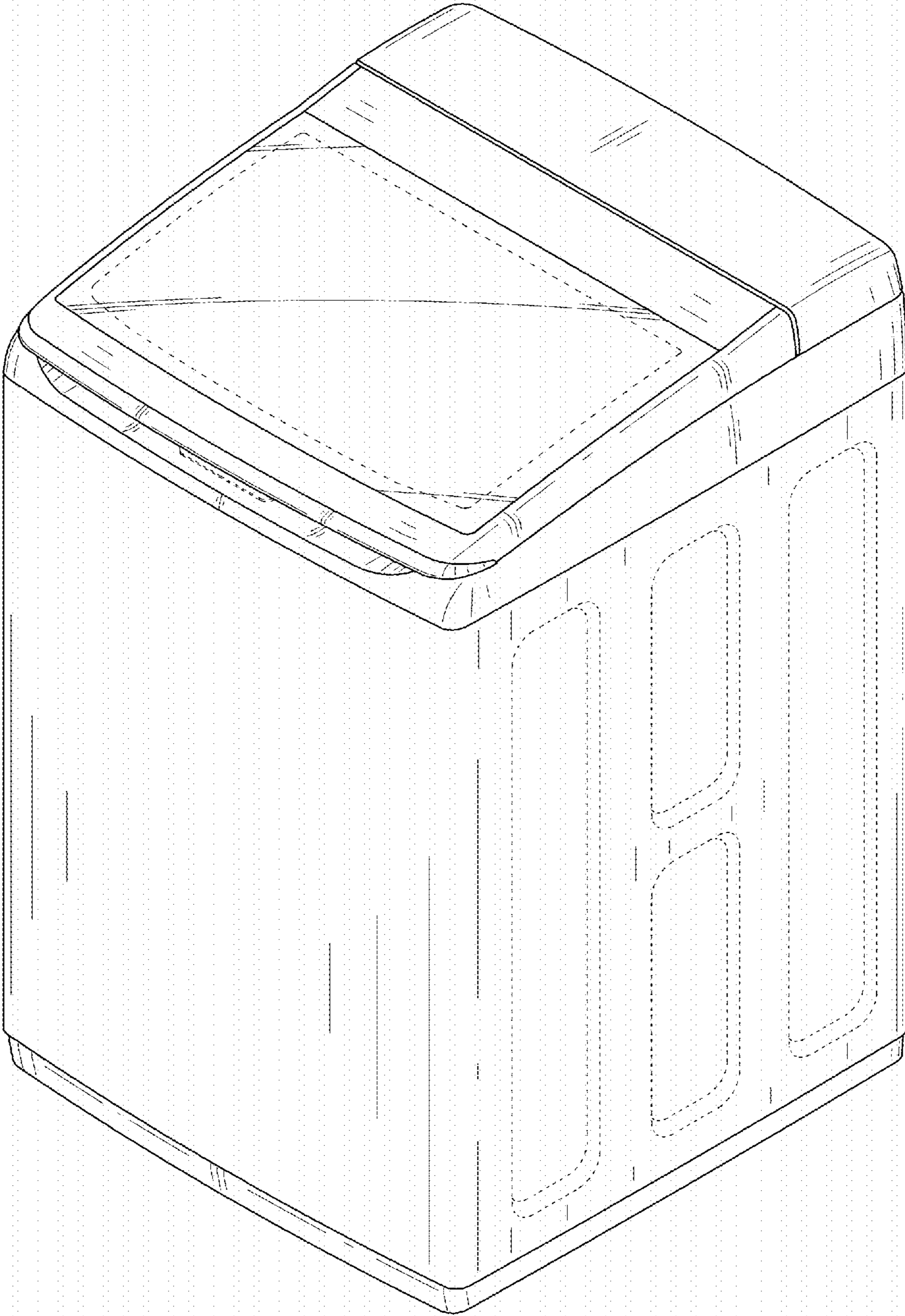


FIG. 2

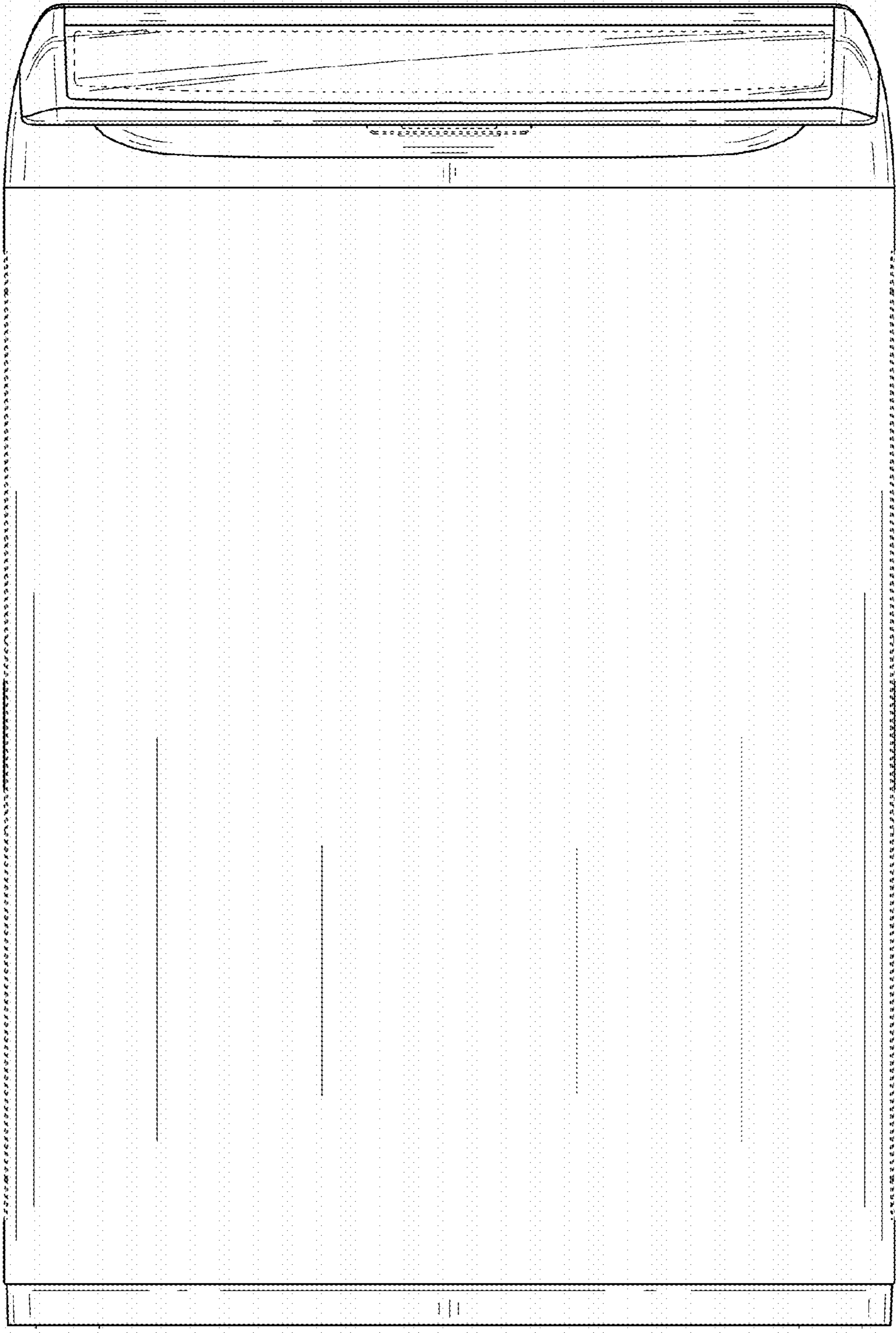


FIG. 3

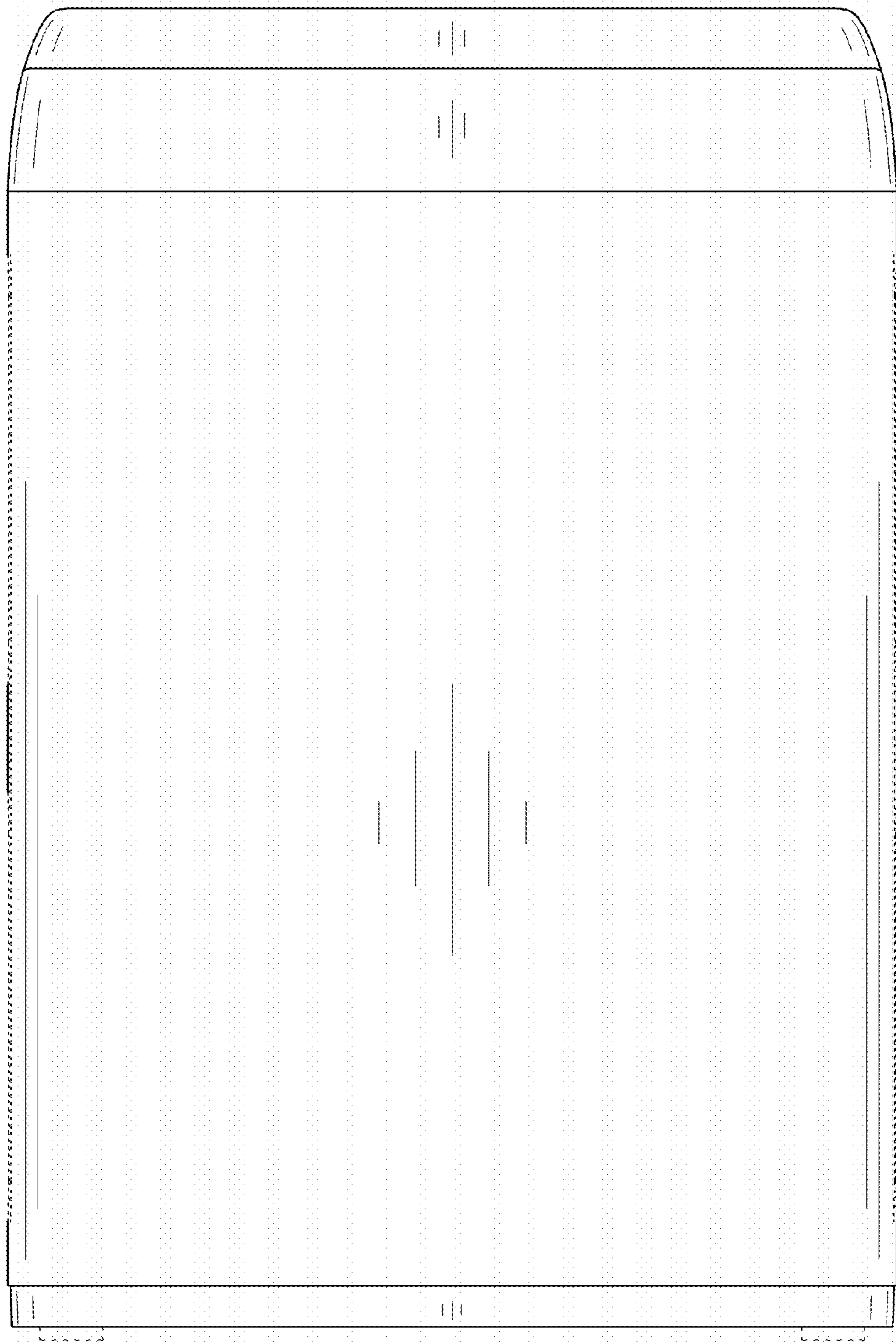


FIG. 4

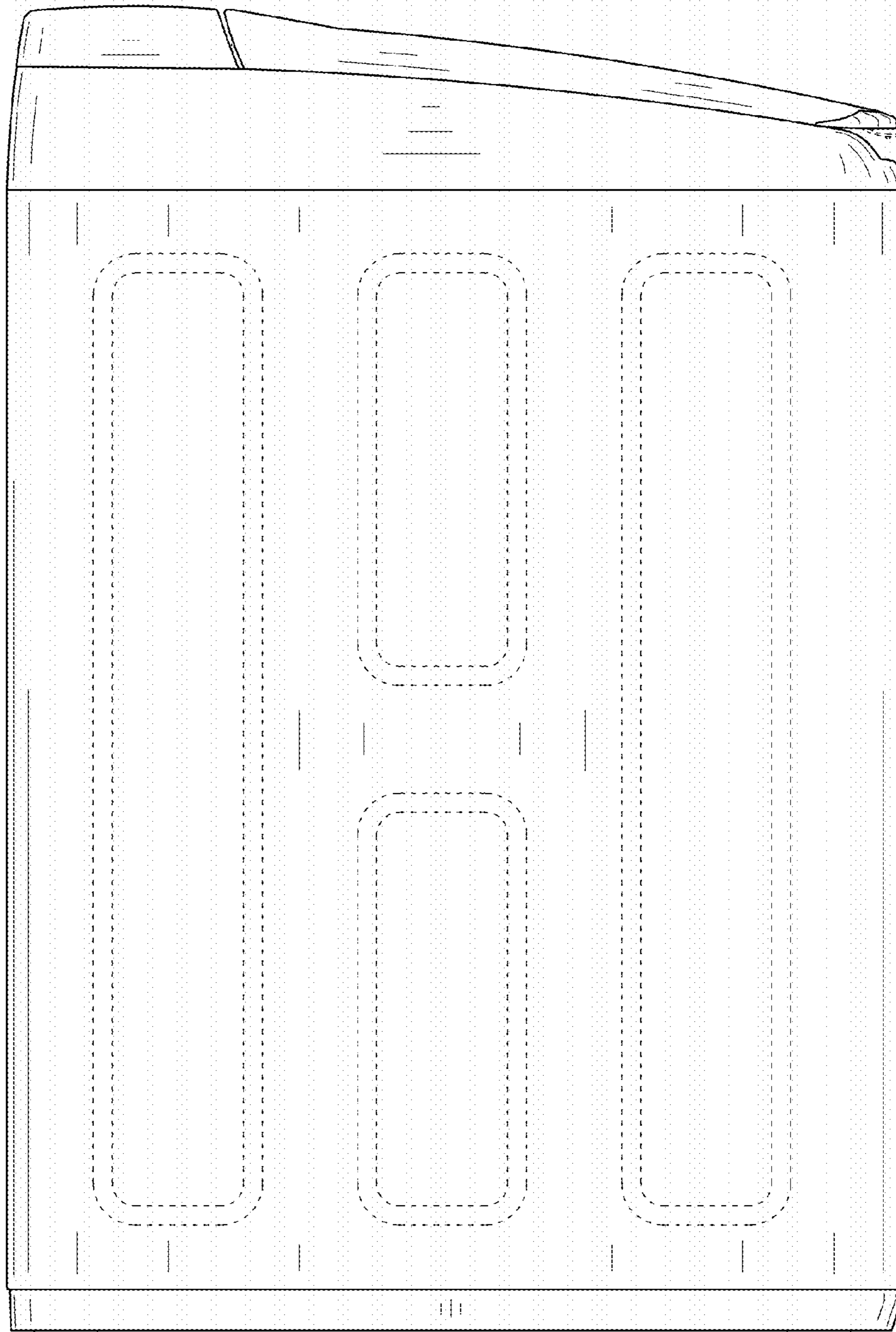


FIG. 5

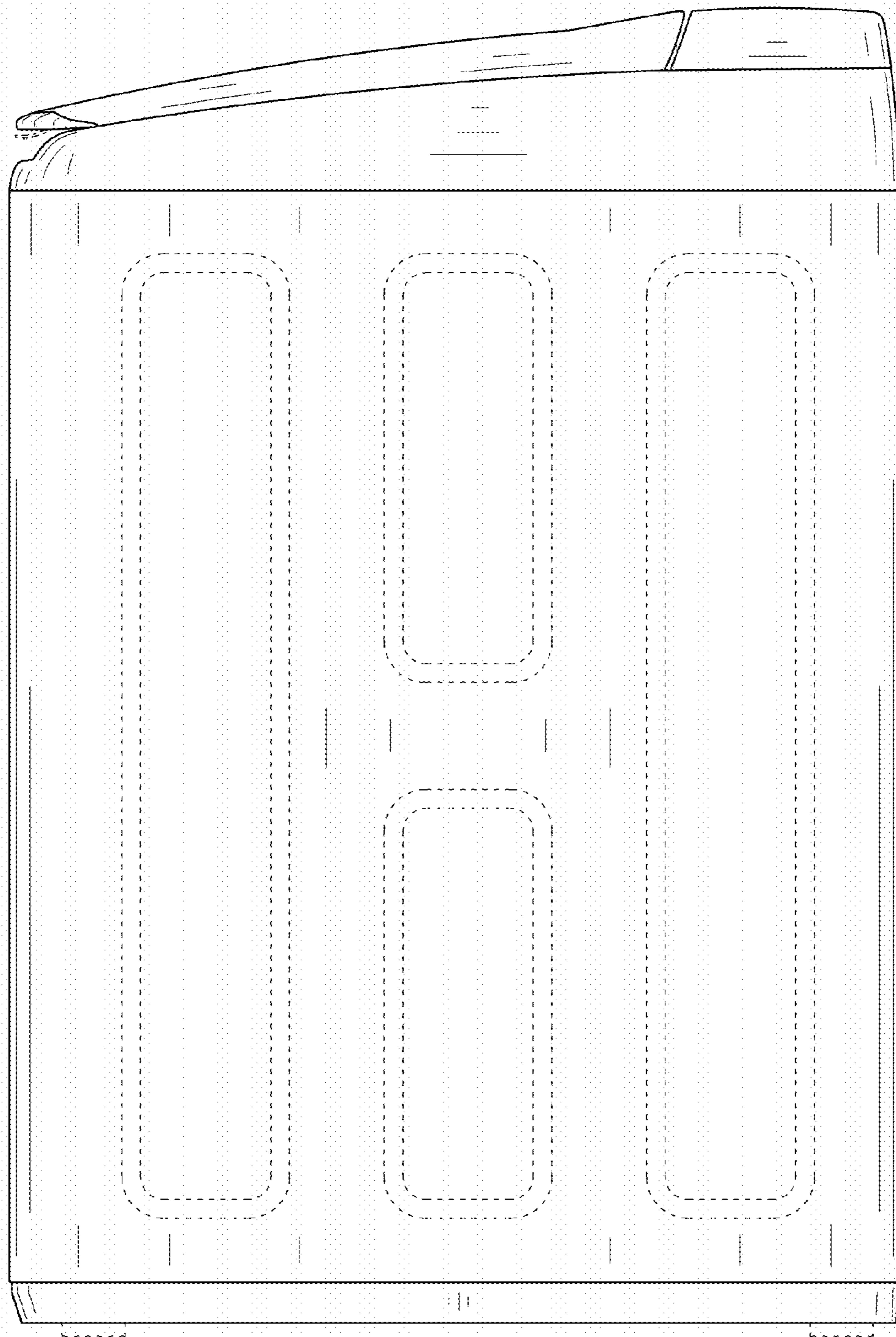


FIG. 6

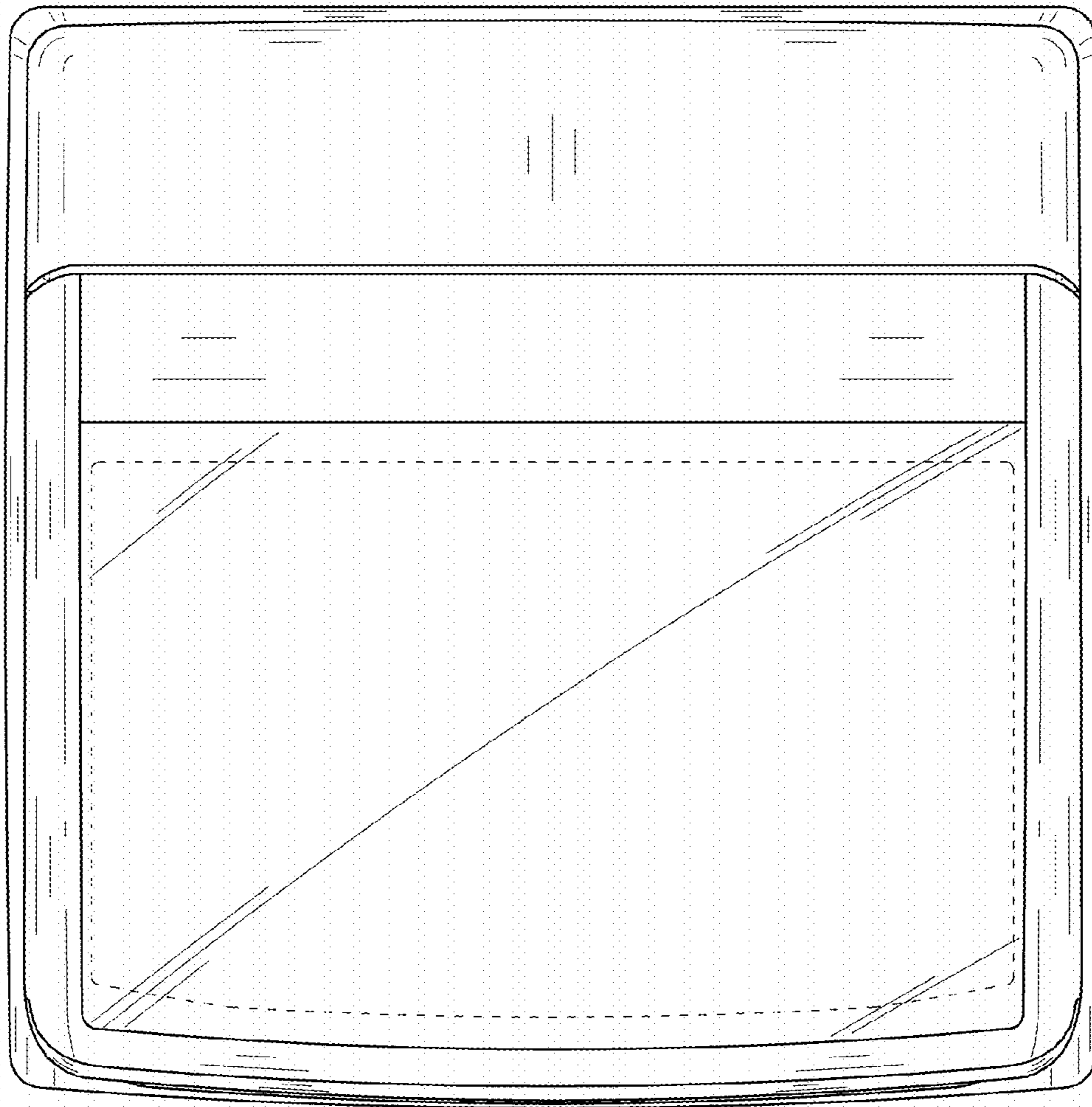


FIG. 7

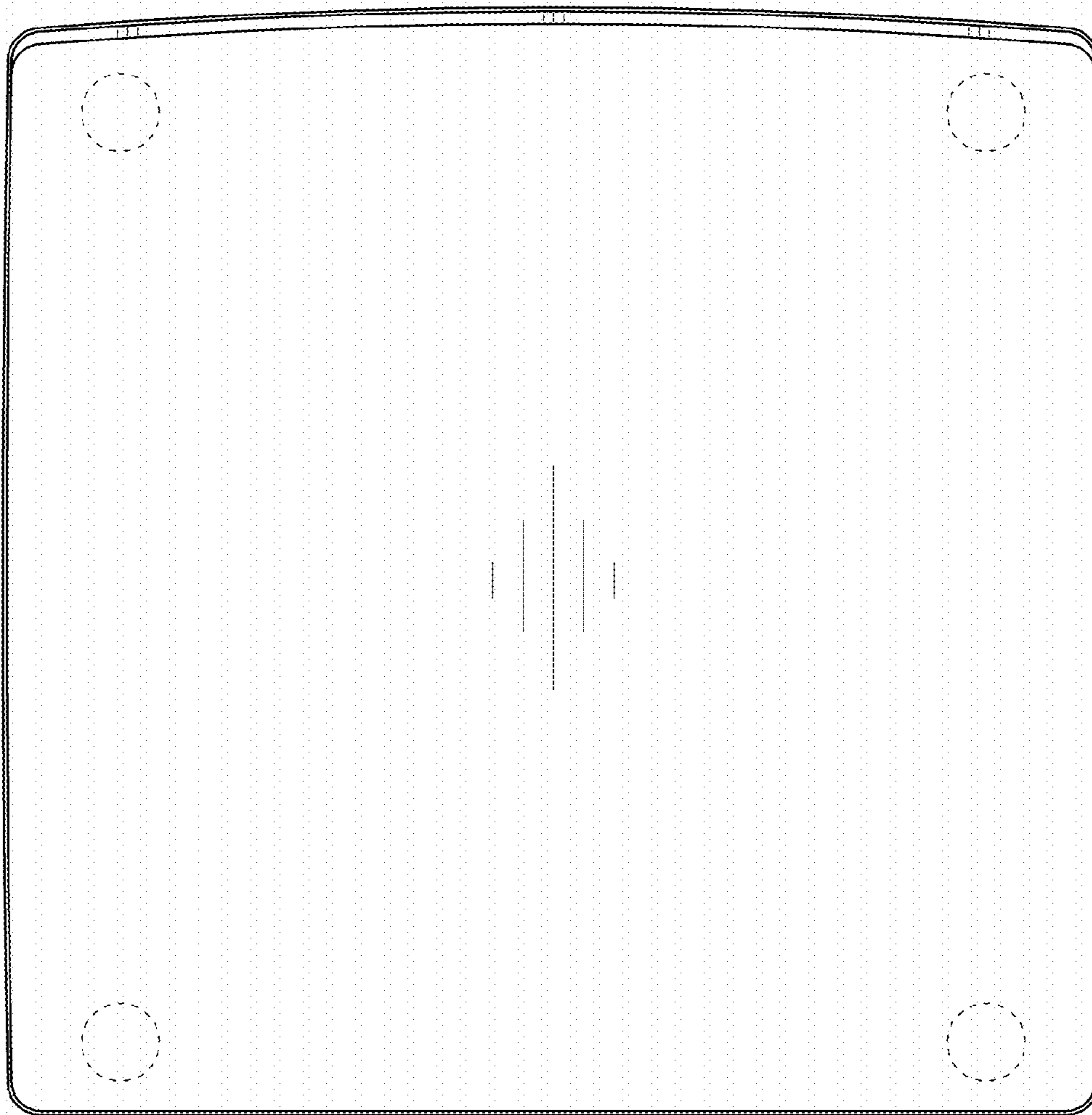




FIG. 8

