



US00D775436S

(12) **United States Design Patent**
Rodriguez

(10) **Patent No.:** **US D775,436 S**

(45) **Date of Patent:** **** Dec. 27, 2016**

- (54) **PORTION OF A LITTER SCOOP**
- (71) Applicant: **Playtex Products, LLC**, Shelton, CT (US)
- (72) Inventor: **Marisol Rodriguez**, Brooklyn, NY (US)
- (73) Assignee: **Playtex Products, LLC**, Shelton, CT (US)
- (**) Term: **14 Years**
- (21) Appl. No.: **29/456,117**
- (22) Filed: **May 29, 2013**
- (51) **LOC (10) Cl.** **30-99**
- (52) **U.S. Cl.**
USPC **D30/162**
- (58) **Field of Classification Search**
USPC D30/161, 162, 199, 158; D7/667, D7/669-670, 681, 691, 688, 546, 549, D7/692, 369, 387, 401.2; D8/10, 1, 4, 13, D8/395; 294/1.3, 1.4, 1.5, 9, 28, 49, 50.8, 294/54.5, 55, 19.2-19.3, 22, 23, 23.5, 24; D32/74, 38, 162; 119/61.56, 161, 867; 15/357.1, 257.6; 209/418-419
CPC A01K 23/005; A01K 1/0114; A01K 1/01; B07B 1/02; F24B 15/08; F24B 15/00; E01H 2001/1293; E01H 1/1206; E01H 2001/1266; A01D 9/00
See application file for complete search history.

(56) **References Cited**

U.S. PATENT DOCUMENTS

- 22,514 A * 1/1859 Sabbaton F24B 15/08 209/419
- 117,756 A * 8/1871 Farmer F24B 15/08 209/419
- 259,407 A * 6/1882 Lutz F24B 15/08 209/419
- 421,021 A * 2/1890 Vowles A01K 1/0114 209/419

- 448,393 A * 3/1891 Wells et al. A01K 1/0114 209/419
- 928,283 A * 7/1909 Schultze A01B 1/02 209/419
- D292,261 S * 10/1987 Mitton D8/11
- D309,700 S * 8/1990 Goetz D30/162
- D314,254 S 1/1991 Gordon
- D332,675 S * 1/1993 Simon 294/1.3
- 5,190,326 A * 3/1993 Nunn A01K 1/0114 15/257.6
- D347,497 S 5/1994 VanSkiver
- D360,714 S 7/1995 d'Alquen
- D379,746 S * 6/1997 Savicki D7/692
- D387,514 S 12/1997 Savicki
- 5,738,399 A 4/1998 Mitchell
- D405,564 S 2/1999 Martin
- D416,359 S 11/1999 Schlueter
- 6,022,058 A 2/2000 O'Rourke
- 6,039,368 A * 3/2000 Kowalczyk A01K 1/0114 119/161
- D426,353 S 6/2000 Renforth

(Continued)

Primary Examiner — Lakiya Rogers
Assistant Examiner — Shannon Morgan
(74) *Attorney, Agent, or Firm* — Playtex Products LLC

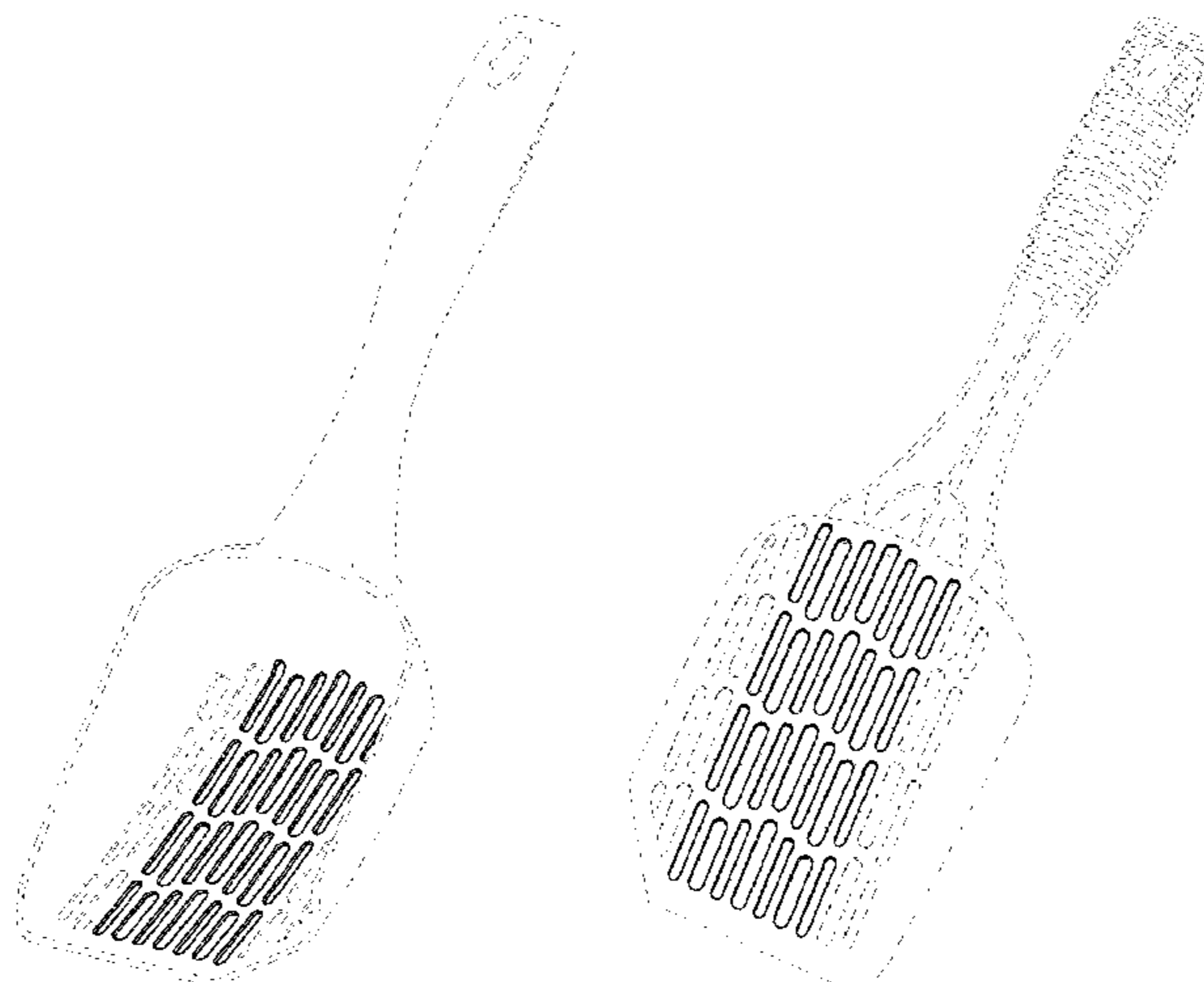
(57) **CLAIM**

The ornamental design for a portion of a litter scoop, as shown and described.

DESCRIPTION

FIG. 1 is an upper perspective view of a portion of a litter scoop.
FIG. 2 is a lower perspective view thereof.
FIG. 3 is a top view thereof.
FIG. 4 is a bottom view thereof.
FIG. 5 is a right side view of FIG. 3.
FIG. 6 is a left side view of FIG. 3.
FIG. 7 is a front end view; and,
FIG. 8 is a rear end view.
The broken lines in the figures depict environmental subject matter only and form no part of the claimed design.

1 Claim, 5 Drawing Sheets



(56)

References Cited

U.S. PATENT DOCUMENTS

D428,676 S 7/2000 Renforth
 D429,853 S 8/2000 Hammond
 D438,349 S 2/2001 Keller et al.
 6,312,029 B1 11/2001 Renforth
 D451,652 S 12/2001 Lewis et al.
 D465,621 S 11/2002 Dunn
 6,578,807 B1 6/2003 Lipscomb et al.
 D479,105 S * 9/2003 Debord D8/10
 D480,519 S 10/2003 Firth
 D483,626 S * 12/2003 Jeffries D30/162
 D485,025 S * 1/2004 Edwards D30/162
 6,976,661 B2 12/2005 Lipscomb et al.
 7,047,907 B1 5/2006 Johnston
 D533,975 S 12/2006 Kelly et al.
 D541,602 S * 5/2007 Yu D7/688
 D542,103 S * 5/2007 Yu D7/688
 7,523,973 B2 4/2009 Lin et al.
 D659,916 S 5/2012 Myerson
 D679,874 S 4/2013 Myerson
 D679,875 S 4/2013 Myerson
 D686,787 S * 7/2013 Dabrushman D30/162

2004/0090073 A1* 5/2004 Edwards A47L 13/52
 294/1.3
 2004/0227364 A1* 11/2004 Pain A01K 1/0114
 294/1.3
 2007/0222242 A1* 9/2007 Daniels A01D 9/00
 294/55.5
 2007/0267333 A1* 11/2007 Delman A01K 1/0114
 209/418
 2007/0277741 A1* 12/2007 Delman A01K 1/0114
 119/166
 2009/0058115 A1* 3/2009 Freedman A01K 1/0114
 294/177
 2011/0042980 A1* 2/2011 Wiseman, II A01B 1/02
 294/49
 2011/0233948 A1* 9/2011 Morris A01K 1/0114
 294/1.3
 2012/0080893 A1* 4/2012 Bernard A01K 1/0114
 294/1.3
 2013/0292957 A1* 11/2013 Paculdo A01K 1/0114
 294/179
 2015/0167265 A1* 6/2015 Becattini, Jr. E01H 1/1206
 294/1.3

* cited by examiner

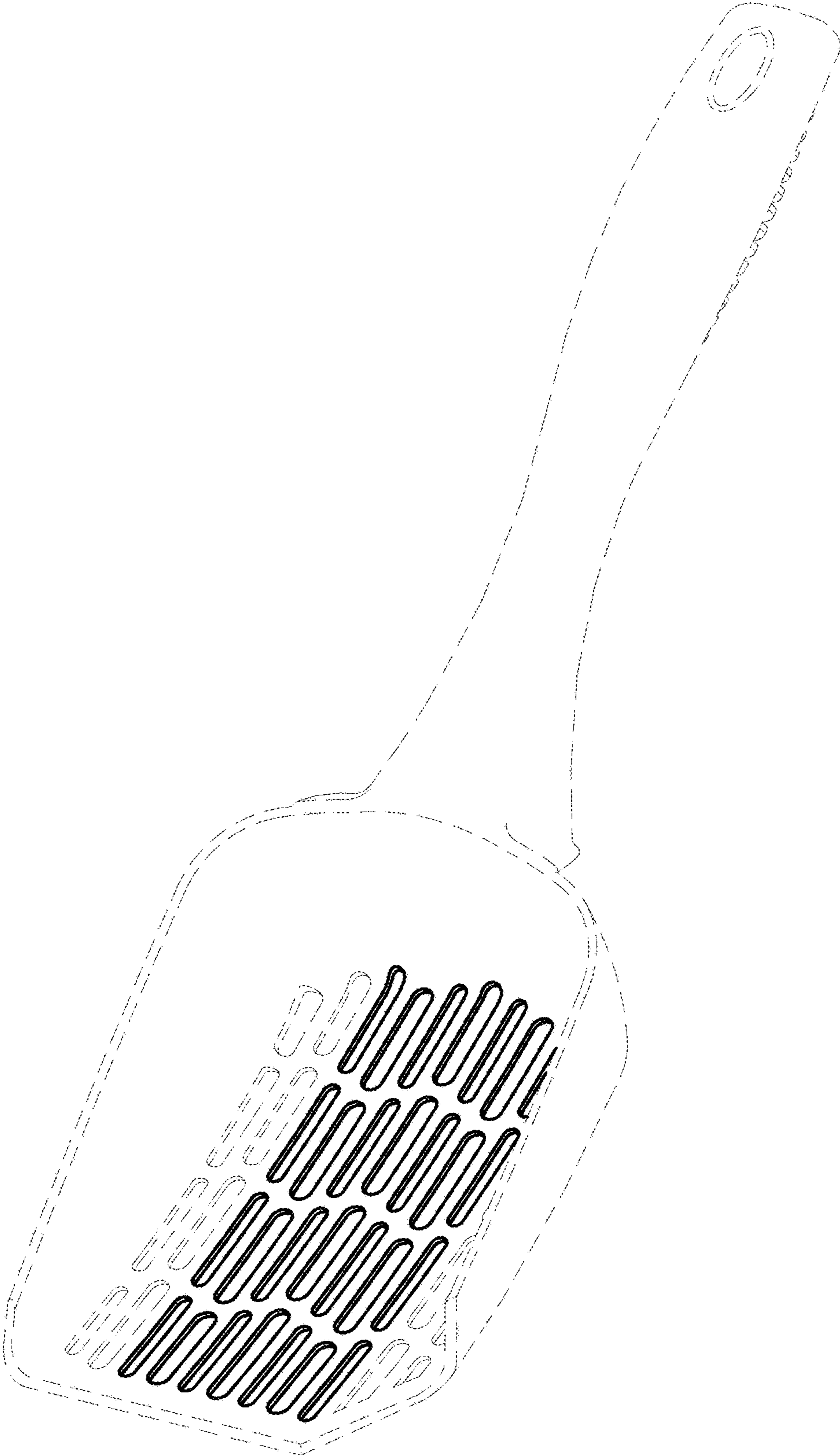


FIG. 1

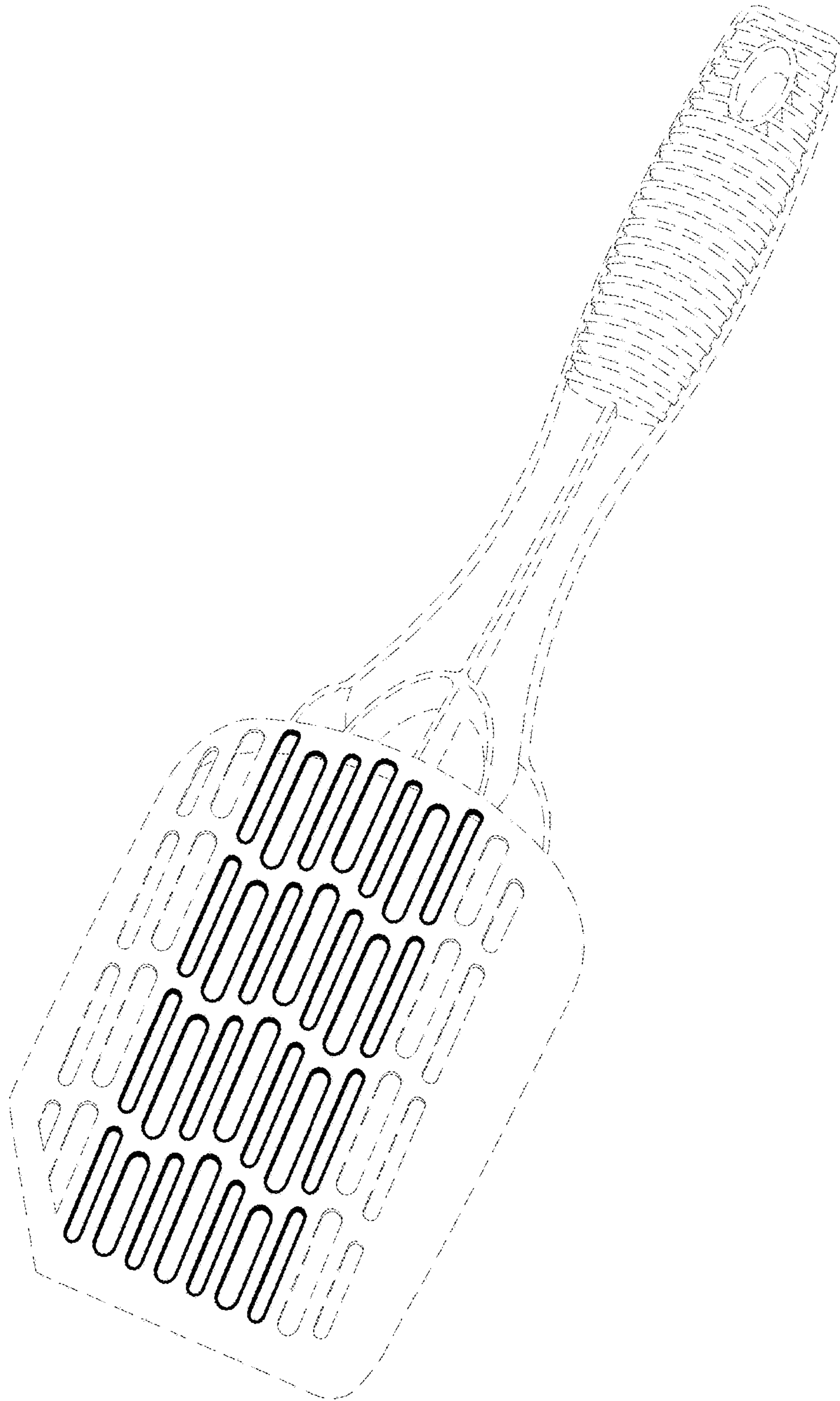


FIG. 2

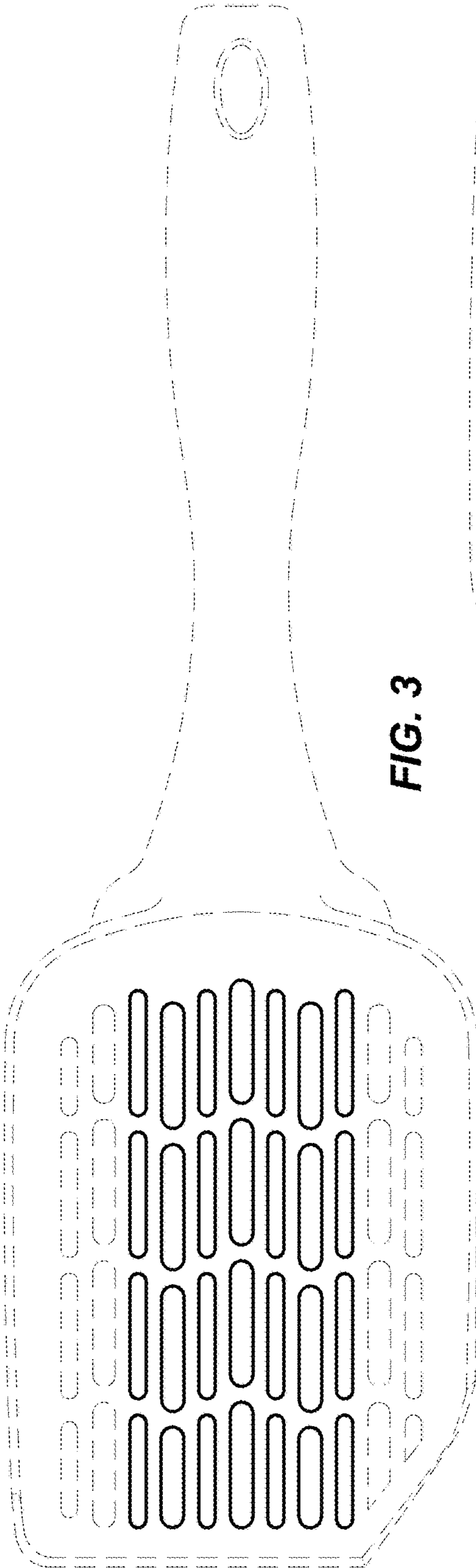


FIG. 3

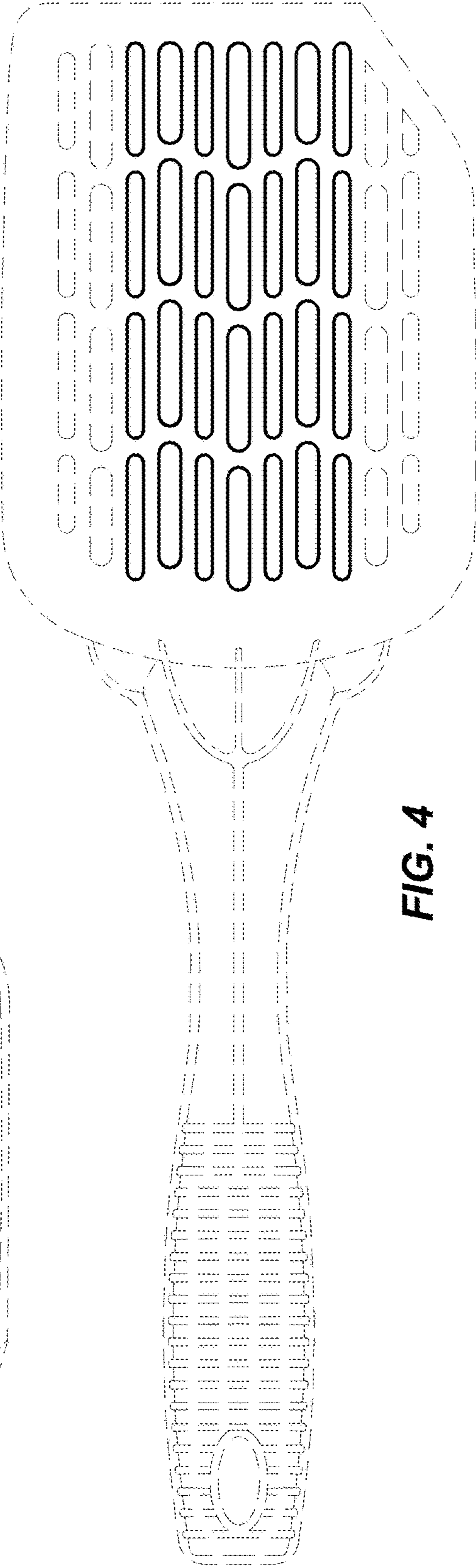


FIG. 4

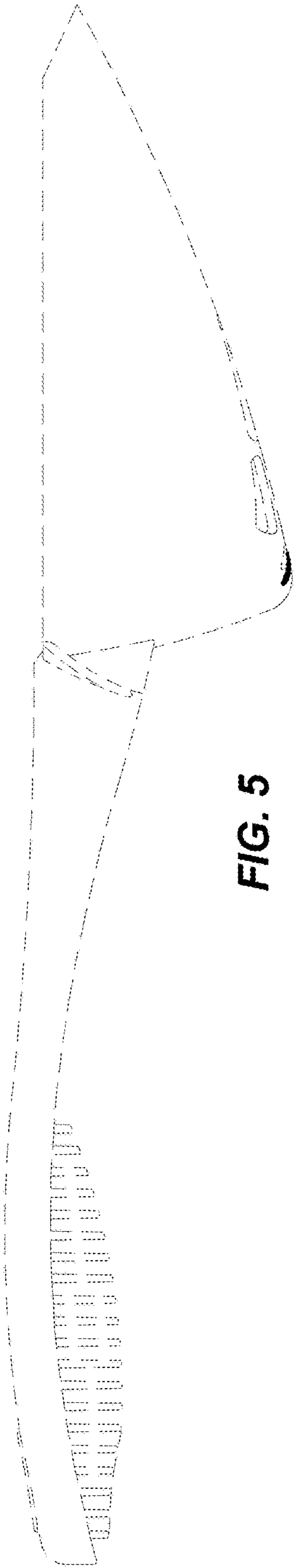


FIG. 5

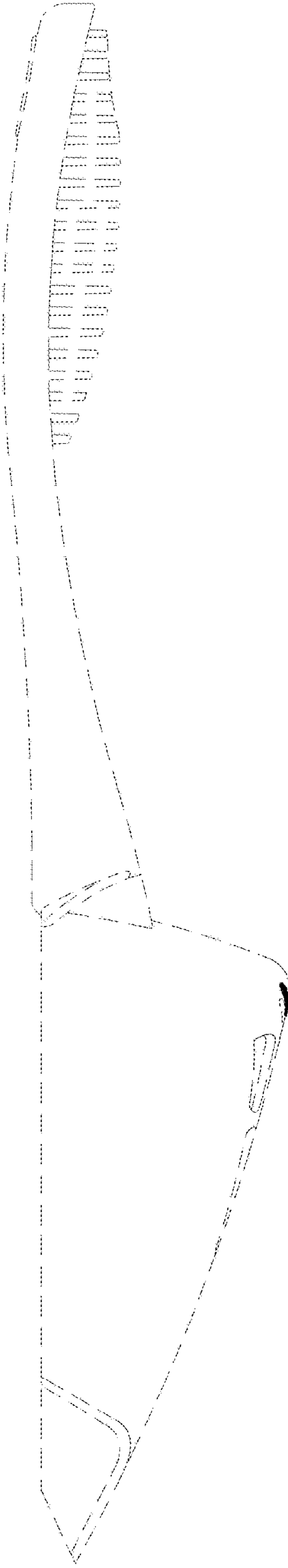


FIG. 6

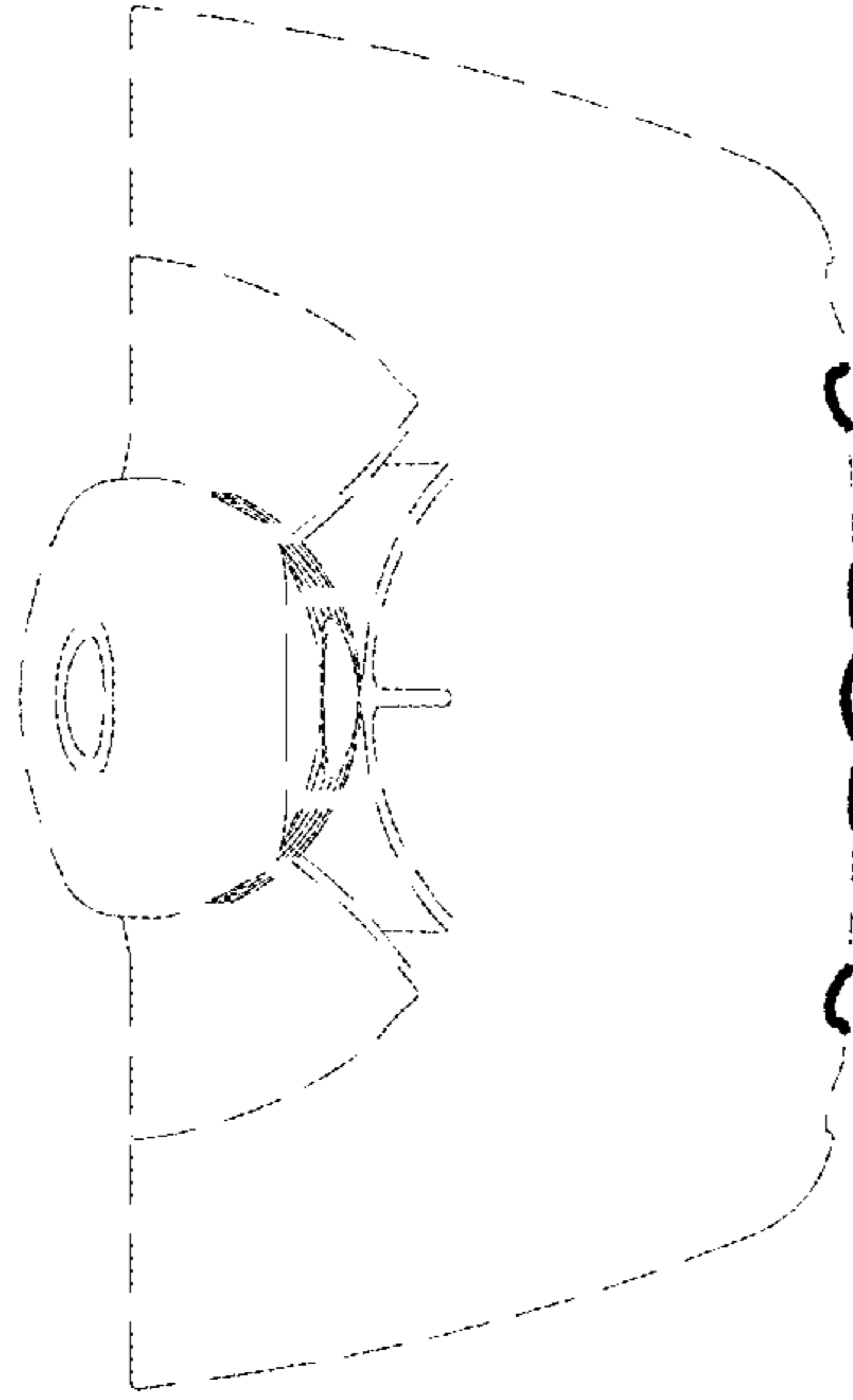


FIG. 8

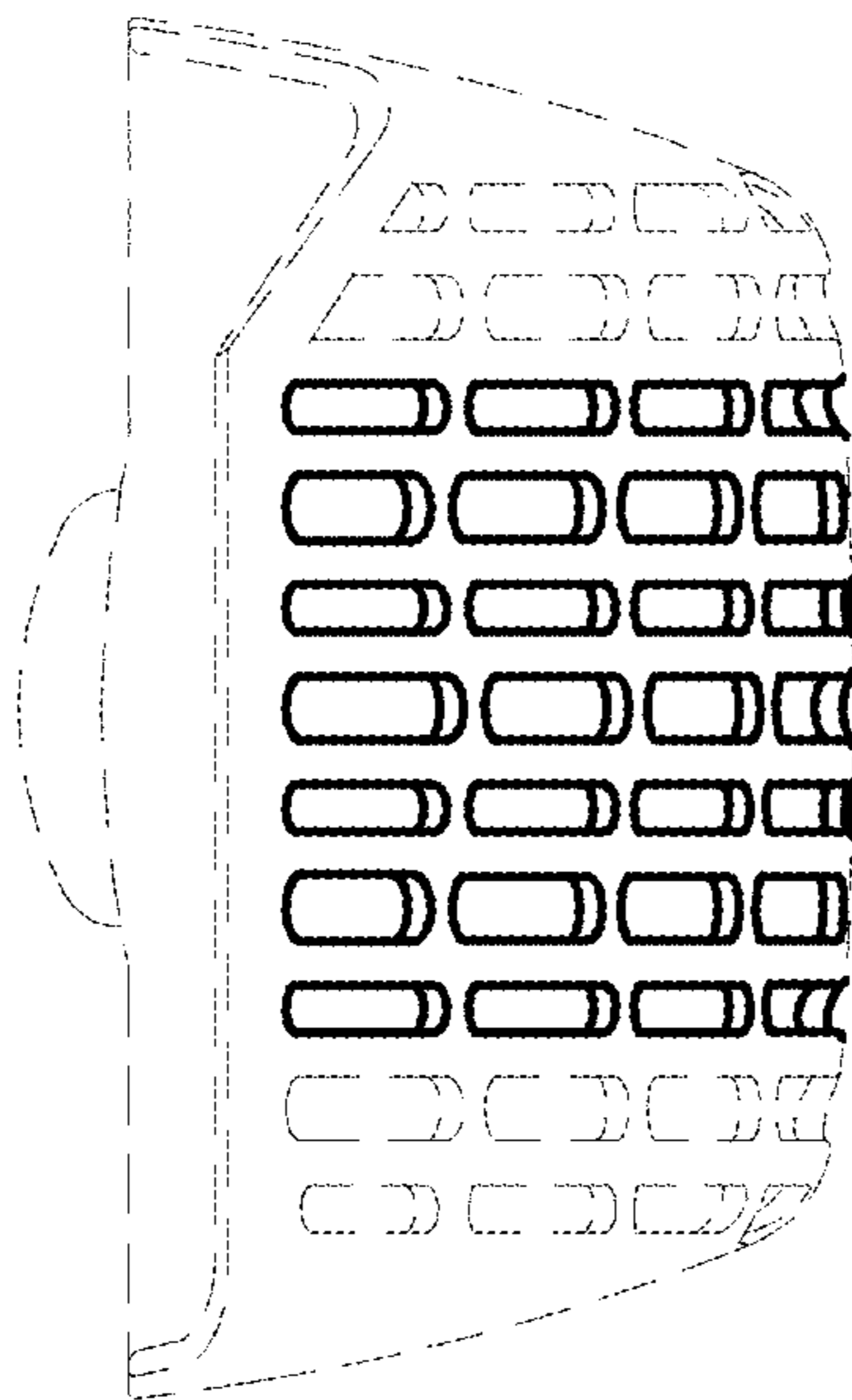


FIG. 7