



US00D775435S

(12) **United States Design Patent** (10) **Patent No.:** **US D775,435 S**  
**Risser et al.** (45) **Date of Patent:** **\*\* Dec. 27, 2016**

(54) **FEEDER**

A45C 3/04; A45C 13/26; E04B  
2/74; A47H 27/00

(71) Applicant: **Valco Companies, Inc.**, New Holland,  
PA (US)

See application file for complete search history.

(72) Inventors: **Philip E. Risser**, Leola, PA (US);  
**Daniel B. Truong**, Lancaster, PA (US)

(56) **References Cited**

(73) Assignee: **Valco Companies, Inc.**, New Holland,  
PA (US)

U.S. PATENT DOCUMENTS

(\*\*) Term: **14 Years**

(21) Appl. No.: **29/516,162**

(22) Filed: **Jan. 29, 2015**

1,809,696	A *	6/1931	Heilweil .....	A45C 11/22 206/37
D93,163	S *	8/1934	Hart .....	229/406
2,023,470	A *	12/1935	Hart .....	B65D 1/34 220/574
D104,731	S *	6/1937	Spence .....	D7/513
D128,124	S *	7/1941	Melville .....	D30/121
D154,272	S *	6/1949	Heim .....	D6/339
2,549,282	A *	4/1951	Aschbrenner .....	B65D 7/02 220/669
D165,683	S *	1/1952	Fournier et al. ....	D24/230
D170,199	S *	8/1953	Hyman .....	D3/242
D174,831	S *	5/1955	Nowak .....	D7/550.1
D190,845	S *	7/1961	Sacks .....	D27/102
3,033,163	A *	5/1962	Hostetler et al.	
3,073,061	A *	1/1963	Pearson .....	E04B 2/22 47/33
3,230,933	A	1/1966	Myers et al.	

**Related U.S. Application Data**

(63) Continuation-in-part of application No. 29/453,418,  
filed on Apr. 29, 2013, now abandoned.

(51) **LOC (10) Cl.** ..... **30-03**

(52) **U.S. Cl.**  
USPC ..... **D30/121**; D30/131; D30/133; D30/124

(58) **Field of Classification Search**  
USPC ..... D30/130-132, 199, 121-124; 119/72,  
119/72.5, 75, 78, 53, 74, 76, 79, 80, 81,  
119/51.01, 51.04, 52.1, 54, 57.4, 58, 61.1,  
119/61.5, 52.4; 137/592, 408, 614.2;  
239/28; 4/377; D7/553.4, 553.8, 552.2,  
D7/549, 555, 557, 554.2, 359, 589, 551.1,  
D7/553.7, 553.6, 546, 547, 672, 570, 544,  
D7/564, 587, 584; D9/428, 432; D27/134;  
220/630, 575, 574, 506; D11/149, 152;  
99/442, 428, DIG. 15; 131/232; 249/169  
CPC ..... A01K 5/0114; A01K 5/01; A01K 5/0135;  
A01K 7/005; A01K 7/00; A01K  
7/02; A01K 5/0142; A01K 5/0121; A01K  
5/0128; A01K 27/004; A01K  
39/014; A01K 39/00; A01K 39/02; A01K  
39/0113; A01K 5/00; A01K  
5/0107; A01K 5/0225; A47J  
43/0727; A01M 29/34; B29C  
65/48; B65D 81/36; B65D 1/00; B65D  
85/505; B65D 85/52; Y10T 29/4998;

(Continued)

*Primary Examiner* — Susan Moon Lee

(74) *Attorney, Agent, or Firm* — Duane Morris LLP

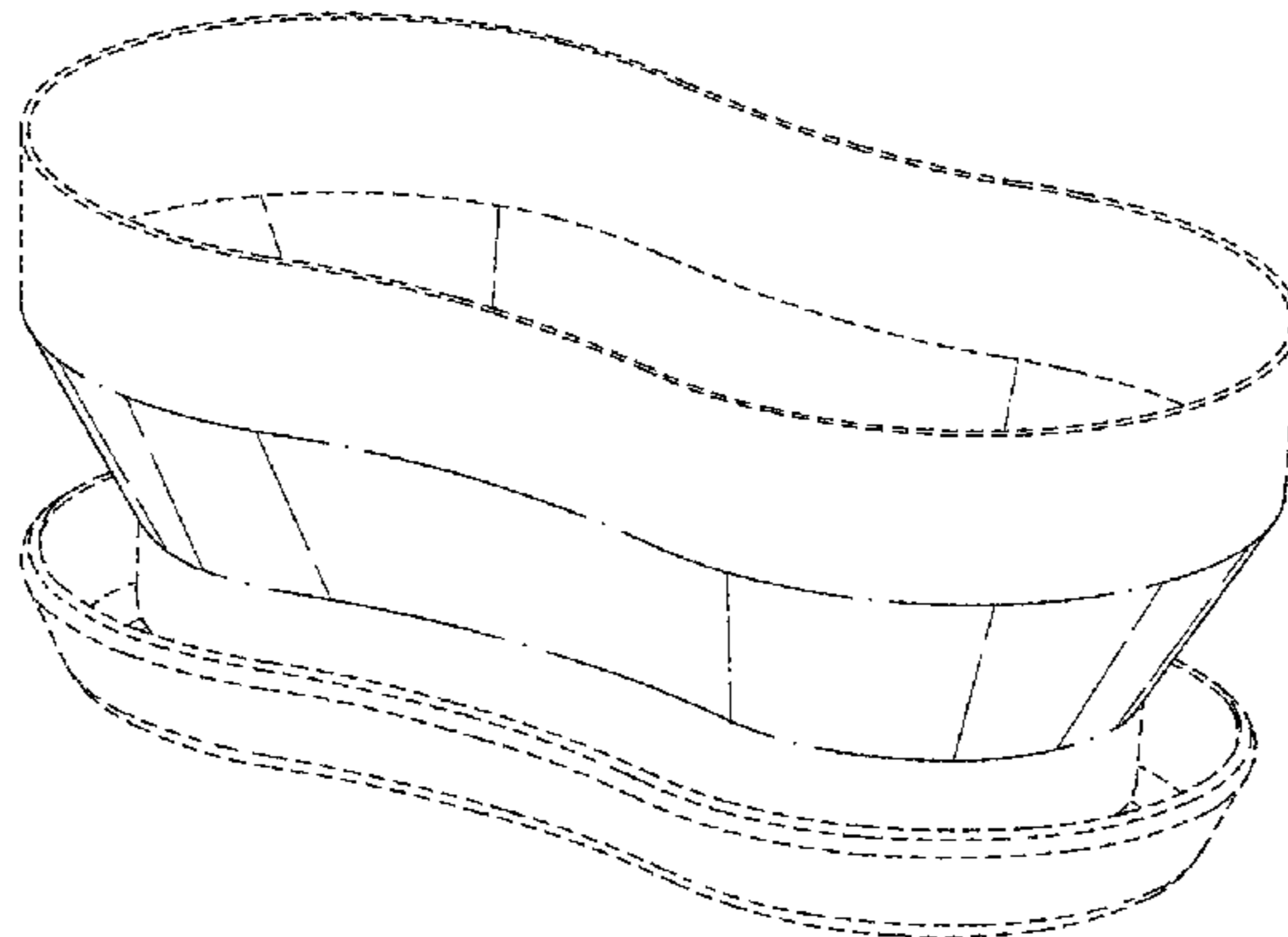
(57) **CLAIM**

The ornamental design for feeder, as shown and described.

**DESCRIPTION**

FIG. 1 is a perspective view of the feeder;  
FIG. 2 is a top view of the feeder;  
FIG. 3 is a bottom view of the feeder;  
FIG. 4 is a right side view of the feeder, the left side view  
being a mirror image thereof; and,  
FIG. 5 is a front view of the feeder, the back view being a  
mirror image thereof.

(Continued)



Broken lines and unshaded portions contained within broken lines, depict portions of the feeder that form no part of the claimed design. Dot-dash lines depict boundaries of claimed portions of the design.

**1 Claim, 3 Drawing Sheets**

(56)

**References Cited**

U.S. PATENT DOCUMENTS

3,384,263 A \* 5/1968 Bernstein ..... B65D 1/22  
206/519

3,415,228 A 12/1968 Myers

3,598,087 A 8/1971 Ramser

3,971,340 A 7/1976 Allen

4,003,339 A 1/1977 Hostetler

D244,452 S \* 5/1977 Ohshiro ..... D21/816

D251,227 S \* 3/1979 Mathison ..... D7/550.1

D257,107 S \* 9/1980 Daenen ..... D7/586

4,476,811 A 10/1984 Swartzendruber

D283,098 S \* 3/1986 Murdick ..... D7/586

4,573,579 A \* 3/1986 Murdick ..... A47G 19/30  
206/525

D294,749 S \* 3/1988 Fuller ..... D30/132

4,863,033 A \* 9/1989 Buj ..... A47G 21/02  
206/457

5,007,380 A 4/1991 Badia et al.

D318,720 S \* 7/1991 Dowse ..... D23/277

D322,912 S \* 1/1992 Schmengler ..... D7/359

5,113,800 A \* 5/1992 Van Epps, II ..... A01K 7/04  
119/78

D328,636 S \* 8/1992 Cobb ..... D23/280.1

D346,720 S \* 5/1994 Onneweer ..... D7/538

D347,058 S \* 5/1994 Valentine ..... D24/123

5,367,718 A \* 11/1994 Ellis ..... A47K 11/02  
220/212.5

D354,377 S \* 1/1995 Wenstrand ..... D30/131

D361,005 S \* 8/1995 Traver ..... D6/520

D362,090 S \* 9/1995 Baldwin ..... D30/130

D362,931 S \* 10/1995 Brightbill ..... D32/37

D385,213 S \* 10/1997 McAllister ..... D11/156

5,676,275 A \* 10/1997 Khattar ..... A47G 19/02  
220/23.83

5,715,968 A \* 2/1998 Fink ..... A45C 3/04  
220/669

D395,824 S \* 7/1998 Durliat ..... D9/430

D408,549 S \* 4/1999 Sullivan ..... D25/2

D410,780 S \* 6/1999 McGinty ..... D30/119

D411,078 S \* 6/1999 Cornelissen ..... D7/566

D415,933 S \* 11/1999 Cornelissen ..... D7/354

D416,116 S \* 11/1999 Sofy ..... D32/37

D423,276 S \* 4/2000 McDonald ..... D7/354

D423,880 S \* 5/2000 Rashid ..... D7/503

D426,751 S \* 6/2000 Obra ..... D7/549

D430,458 S \* 9/2000 Kellermann ..... D7/354

D430,710 S \* 9/2000 Sheely ..... D30/129

D430,959 S \* 9/2000 Sheely ..... D30/129

D436,854 S \* 1/2001 Feldmeier ..... D9/434

D438,010 S \* 2/2001 Drury ..... D3/307

6,189,851 B1 \* 2/2001 Ozark ..... B60N 3/101  
224/542

D439,162 S \* 3/2001 Juhng ..... D9/430

D441,075 S \* 4/2001 Nara ..... D24/122

D444,035 S \* 6/2001 Austen-Meek ..... D7/602

D447,688 S \* 9/2001 Jalet ..... D7/629

6,293,445 B1 \* 9/2001 Miller ..... A45F 3/00  
224/236

D450,926 S \* 11/2001 Dickinson ..... D3/304

D455,838 S \* 4/2002 Erdelac ..... D24/214

D457,317 S \* 5/2002 Steere ..... D3/289

6,381,852 B1 \* 5/2002 Wallays ..... A21C 15/04  
294/99.2

D462,266 S \* 9/2002 Gittins ..... D9/430

D462,877 S \* 9/2002 Lillelund ..... D7/548

D464,199 S \* 10/2002 Lacy ..... D3/306

D469,690 S \* 2/2003 Pau ..... D9/424

D478,860 S \* 8/2003 Young ..... D12/419

D481,594 S \* 11/2003 Roehrig ..... D7/555

6,655,317 B1 12/2003 Steudler, Jr. et al.

D512,686 S \* 12/2005 Langley ..... D13/107

D512,801 S \* 12/2005 Kratzer ..... D30/130

D514,708 S \* 2/2006 Sullivan ..... D25/2

D523,697 S \* 6/2006 Haataja ..... D7/587

D525,831 S \* 8/2006 Ray ..... D7/550.1

D541,529 S \* 5/2007 Steinhobel ..... D3/276

D543,075 S \* 5/2007 Ablo ..... D7/500

D554,368 S \* 11/2007 O'Hara ..... D3/203.1

D557,413 S \* 12/2007 Buermann ..... D24/123

D562,639 S \* 2/2008 Ablo ..... D7/500

D564,712 S \* 3/2008 Cole ..... D30/121

D573,412 S \* 7/2008 Ablo ..... D7/550.1

D584,174 S \* 1/2009 Jalet ..... D10/46.2

D592,458 S \* 5/2009 Scherer ..... D7/566

D598,715 S \* 8/2009 Foss ..... D7/602

7,581,512 B2 \* 9/2009 Cole ..... A01K 39/0125  
119/53

7,584,716 B2 \* 9/2009 Cole ..... A01K 39/0125  
119/52.4

D608,901 S \* 1/2010 Gill ..... D25/2

D610,408 S \* 2/2010 Paolini ..... D7/500

D612,214 S \* 3/2010 Murray ..... D7/628

D620,661 S \* 7/2010 Tsai ..... D32/53

7,780,036 B2 \* 8/2010 Splain ..... A45C 3/04  
206/505

D639,124 S \* 6/2011 Byun ..... D6/716.2

D658,538 S \* 5/2012 Korzeniowski ..... D11/143

D658,540 S \* 5/2012 Korzeniowski ..... D11/153

D661,943 S \* 6/2012 Pallotto ..... D7/354

D661,949 S \* 6/2012 Geraghty ..... D7/566

D667,706 S \* 9/2012 Sandford ..... D7/672

D669,979 S \* 10/2012 Adams ..... D24/123

D691,341 S \* 10/2013 Barre ..... D32/37

D692,572 S \* 10/2013 Steinman ..... D24/216

D698,512 S \* 1/2014 Howard ..... D32/53

D701,354 S \* 3/2014 Septien Prieto ..... D30/121

D706,620 S \* 6/2014 Matsumura ..... D9/424

D706,671 S \* 6/2014 Thuma ..... D11/152

D710,059 S \* 7/2014 Risser ..... D30/121

D710,652 S \* 8/2014 Marzotto ..... D7/602

D720,098 S \* 12/2014 Septien Prieto ..... D30/121

D730,698 S \* 6/2015 Wade ..... D7/551.1

D731,847 S \* 6/2015 Arregui Letamendi ..... D7/354

9,137,967 B2 \* 9/2015 Lathim ..... A01K 5/0114

9,392,772 B2 \* 7/2016 Steudler, Jr. .... A01K 39/01

2005/0189360 A1 \* 9/2005 Loucks ..... D06F 95/002  
220/676

2012/0132143 A1 \* 5/2012 Parks ..... A01K 5/0114  
119/51.01

2013/0137080 A1 \* 5/2013 Henderson ..... A01N 1/0263  
435/1.3

\* cited by examiner

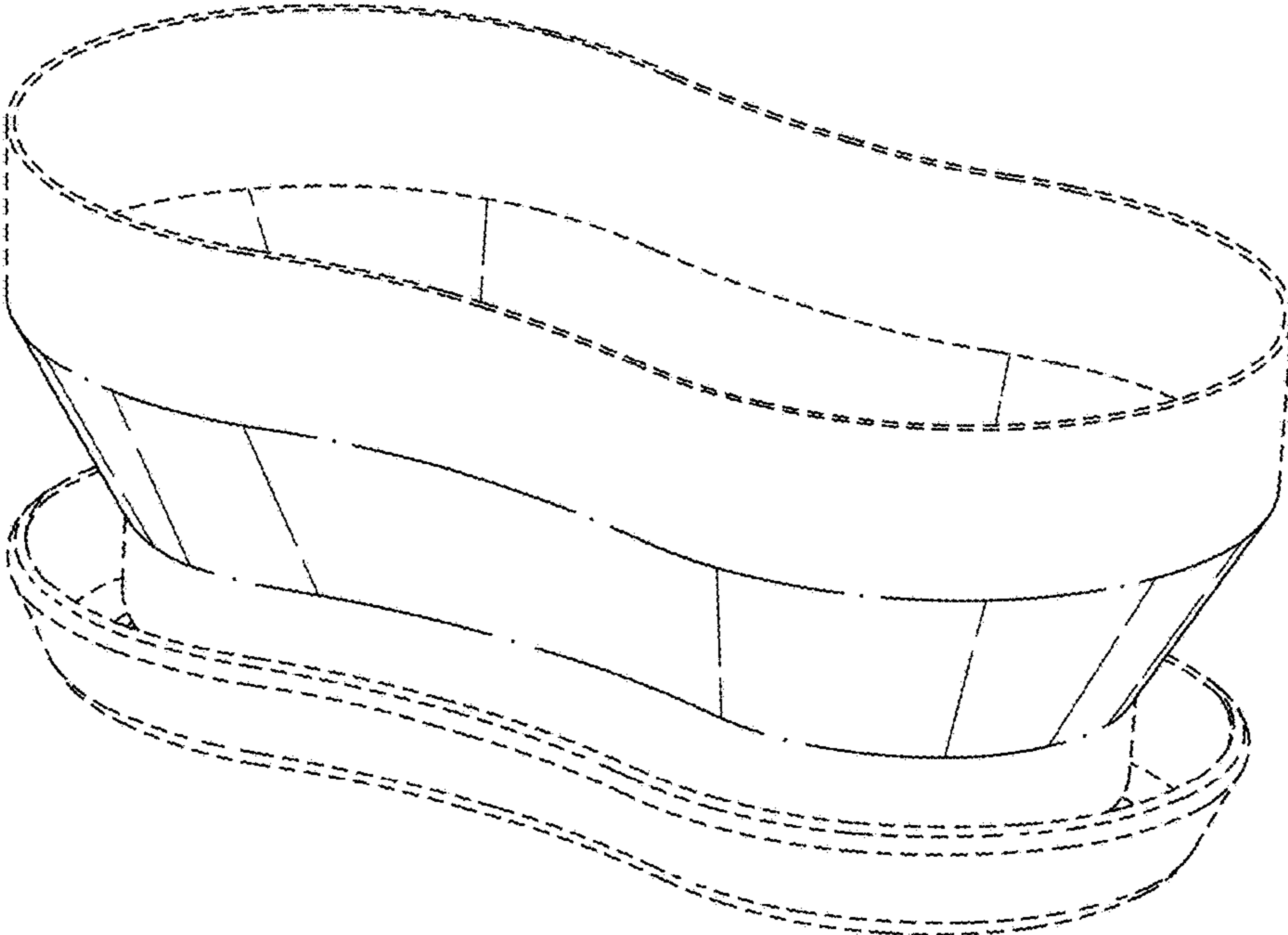


FIG. 1

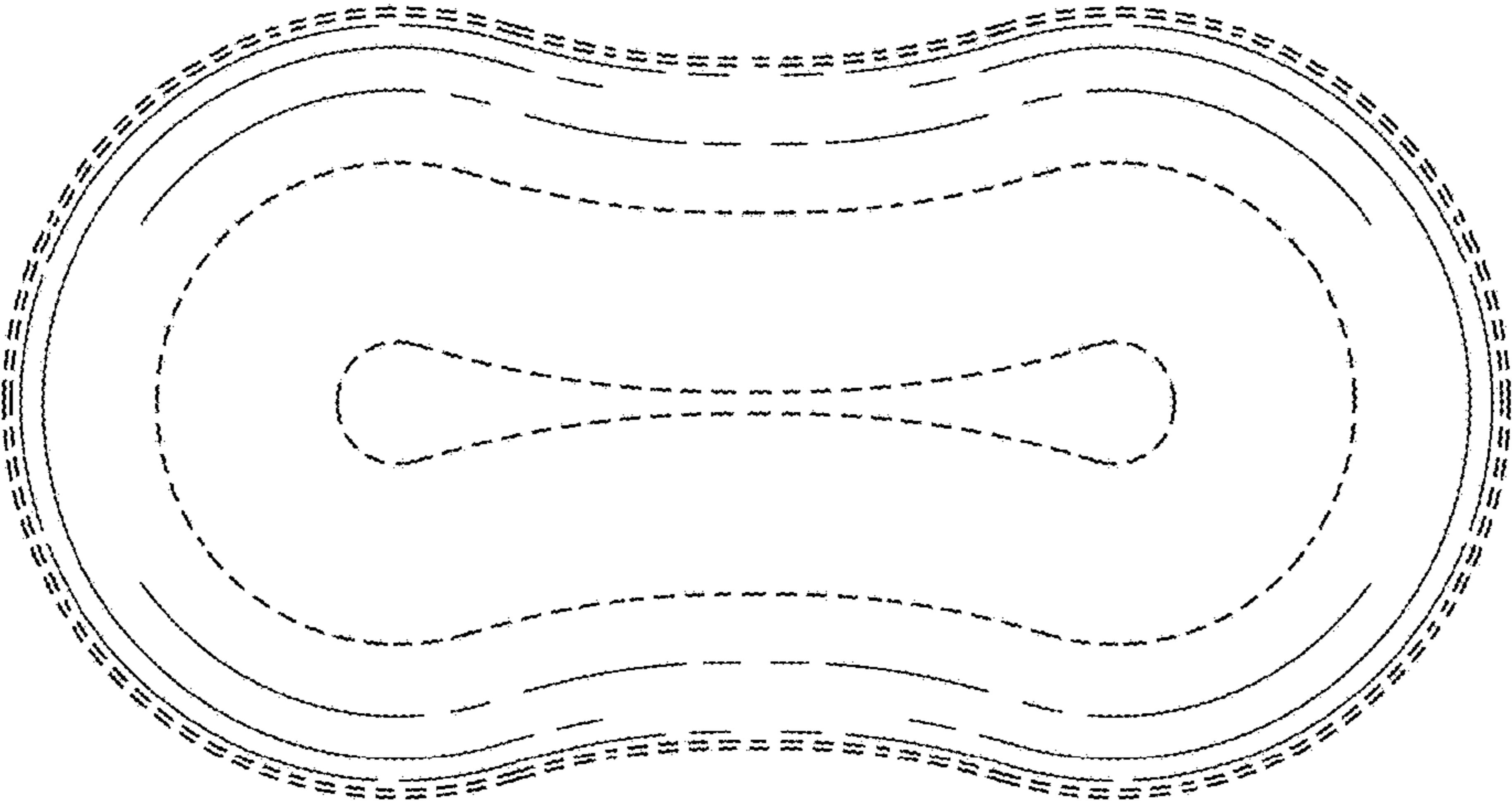


FIG. 2

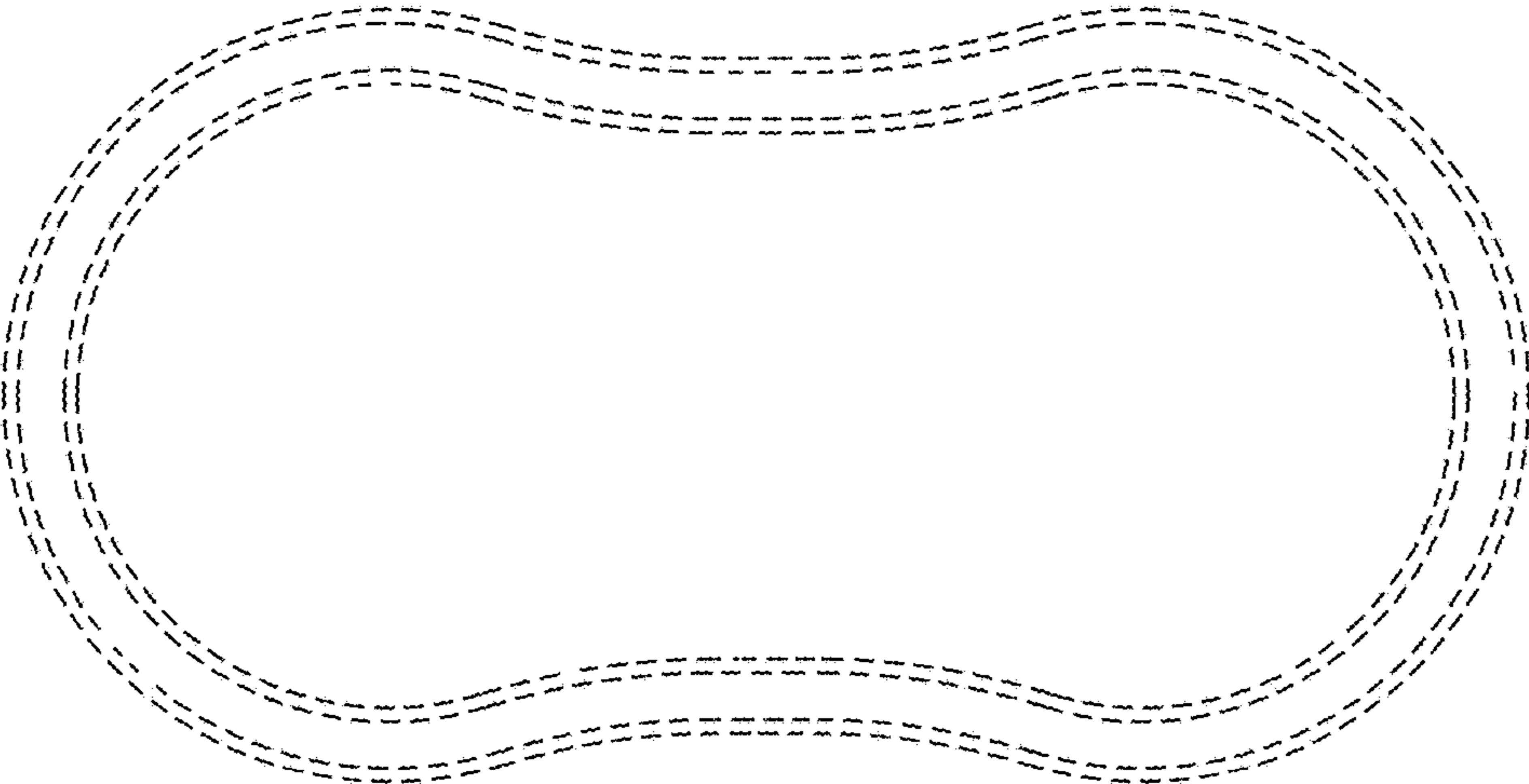


FIG. 3

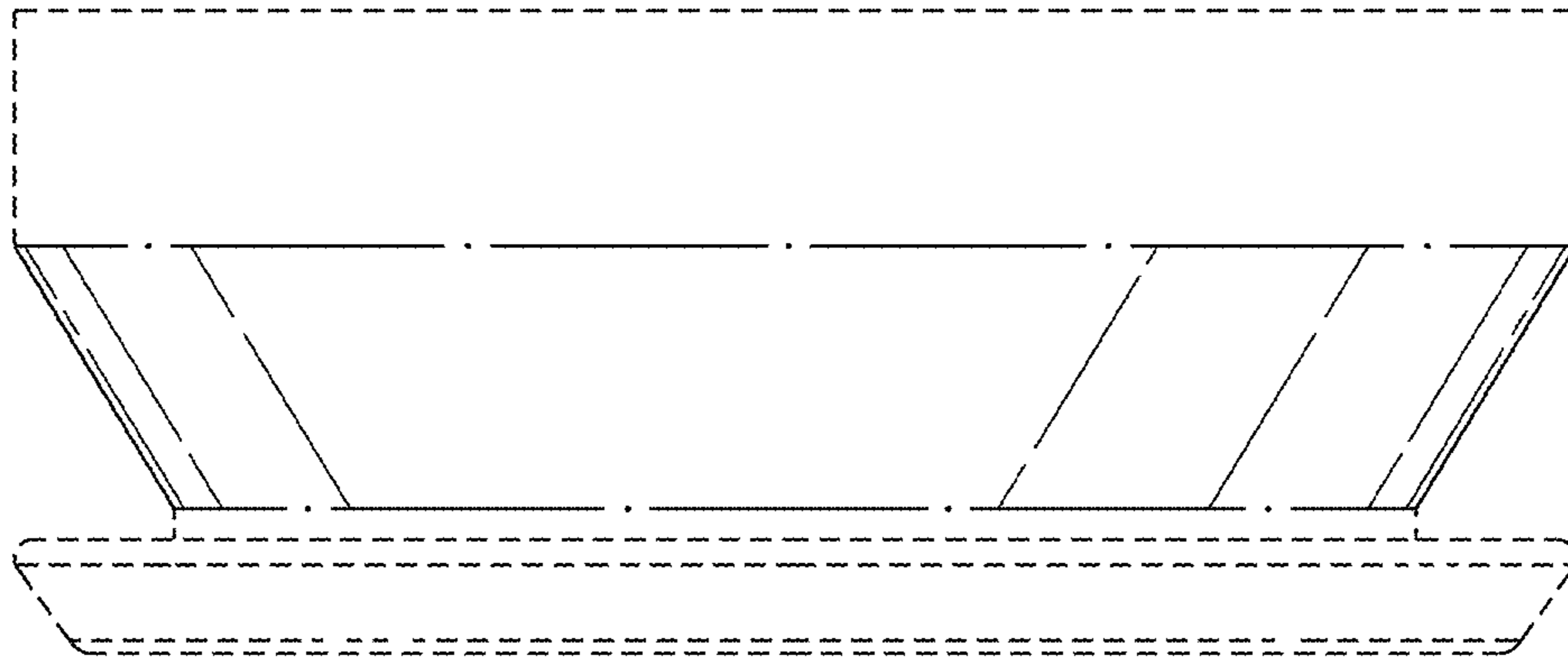


FIG. 4

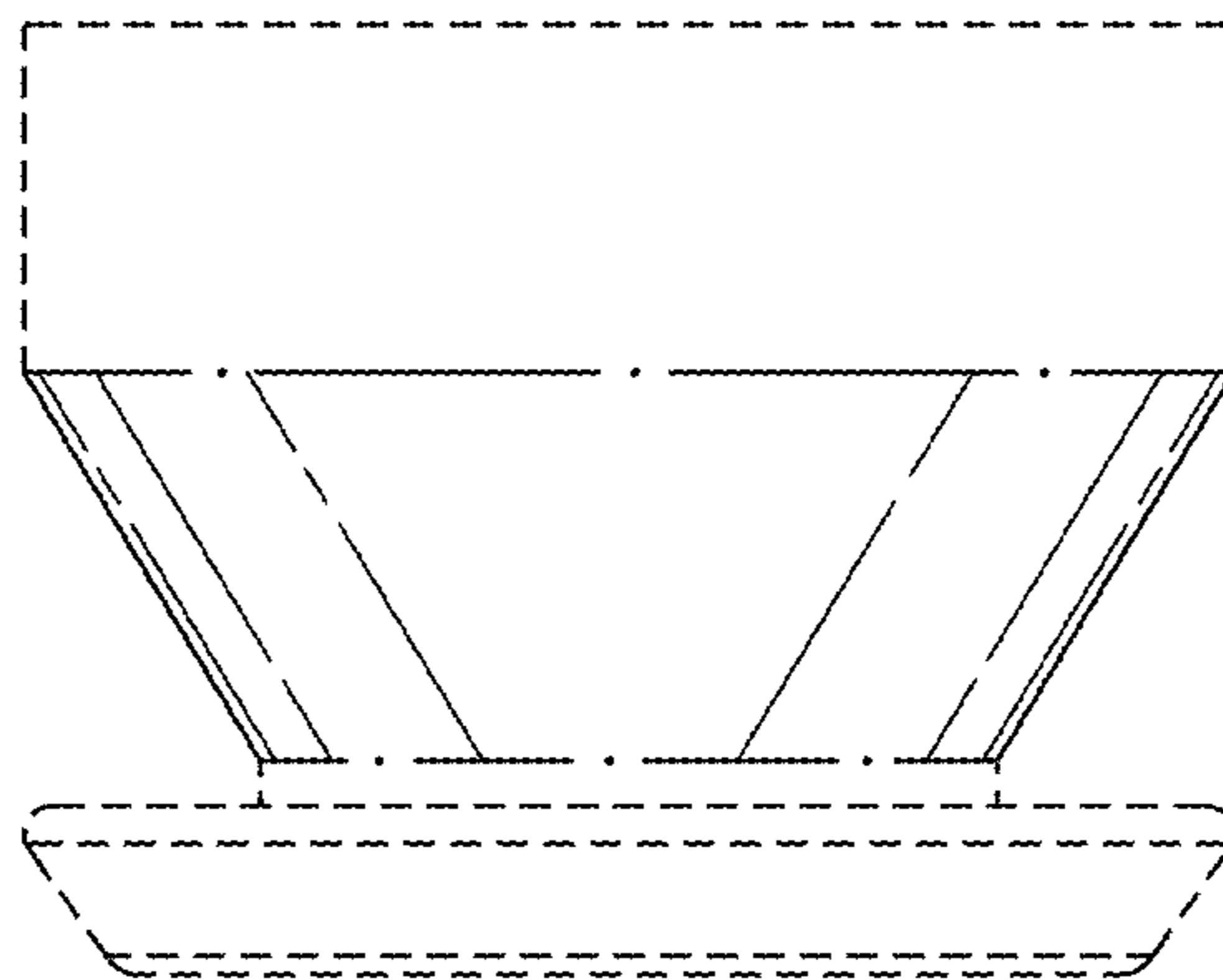


FIG. 5