



US00D775434S

(12) **United States Design Patent** (10) **Patent No.:** **US D775,434 S**
Xie (45) **Date of Patent:** **** Dec. 27, 2016**

(54) **FISH TANK** 3,857,366 A * 12/1974 Willinger A01K 63/006
119/266
(71) Applicant: **Shenzhen Xingrisheng Industrial Co., Ltd., Shenzhen (CN)** D361,412 S * 8/1995 Ichikawa D30/101
D423,146 S * 4/2000 Wang D30/101
6,484,669 B1 * 11/2002 Muhlbauer A01K 63/003
119/245
(72) Inventor: **Yong Xie, Shenzhen (CN)** 2015/0250134 A1 * 9/2015 Hicks A01K 63/003
119/246
(73) Assignee: **SHENZHEN XINGRISHENG INDUSTRIAL CO., LTD., Shenzhen (CN)** * cited by examiner

(**) Term: **14 Years**

Primary Examiner — Wan Laymon

(21) Appl. No.: **29/522,810**

(22) Filed: **Apr. 2, 2015**

(57) **CLAIM**

(30) **Foreign Application Priority Data**

The ornamental design for a fish tank, as shown and described.

Oct. 24, 2014 (CN) 2014 3 0407585

(51) **LOC (10) Cl.** **30-02**

(52) **U.S. Cl.**
USPC **D30/101**

DESCRIPTION

(58) **Field of Classification Search**
USPC D30/101-107
CPC A01K 63/00; A01K 63/003; A01K 63/006;
A01K 63/04; A01K 63/06
See application file for complete search history.

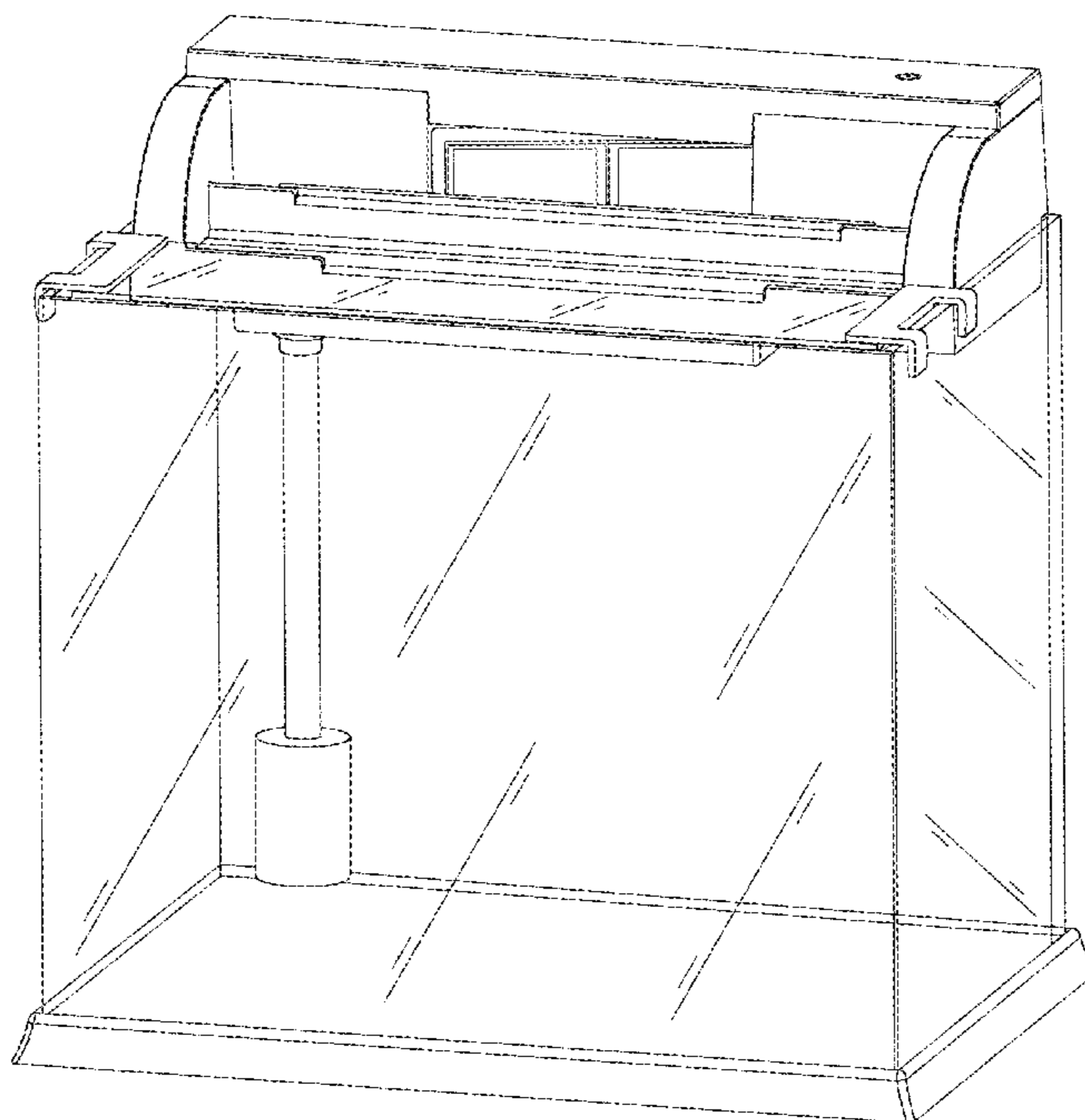
FIG. 1 is a perspective view of the fish tank showing my new design;
FIG. 2 is a perspective view thereof;
FIG. 3 is a front plan view thereof;
FIG. 4 is a back plan view thereof;
FIG. 5 is a left plan view thereof;
FIG. 6 is a right plan view thereof; and,
FIG. 7 is a downward plan view thereof.
Portions of the fish tank shown in broken lines in aforementioned FIGS. 3 and 4 form no part of the claimed design.

(56) **References Cited**

U.S. PATENT DOCUMENTS

3,721,212 A * 3/1973 Groth A01K 63/006
119/266
3,841,267 A * 10/1974 Miller A01K 63/06
119/266

1 Claim, 7 Drawing Sheets



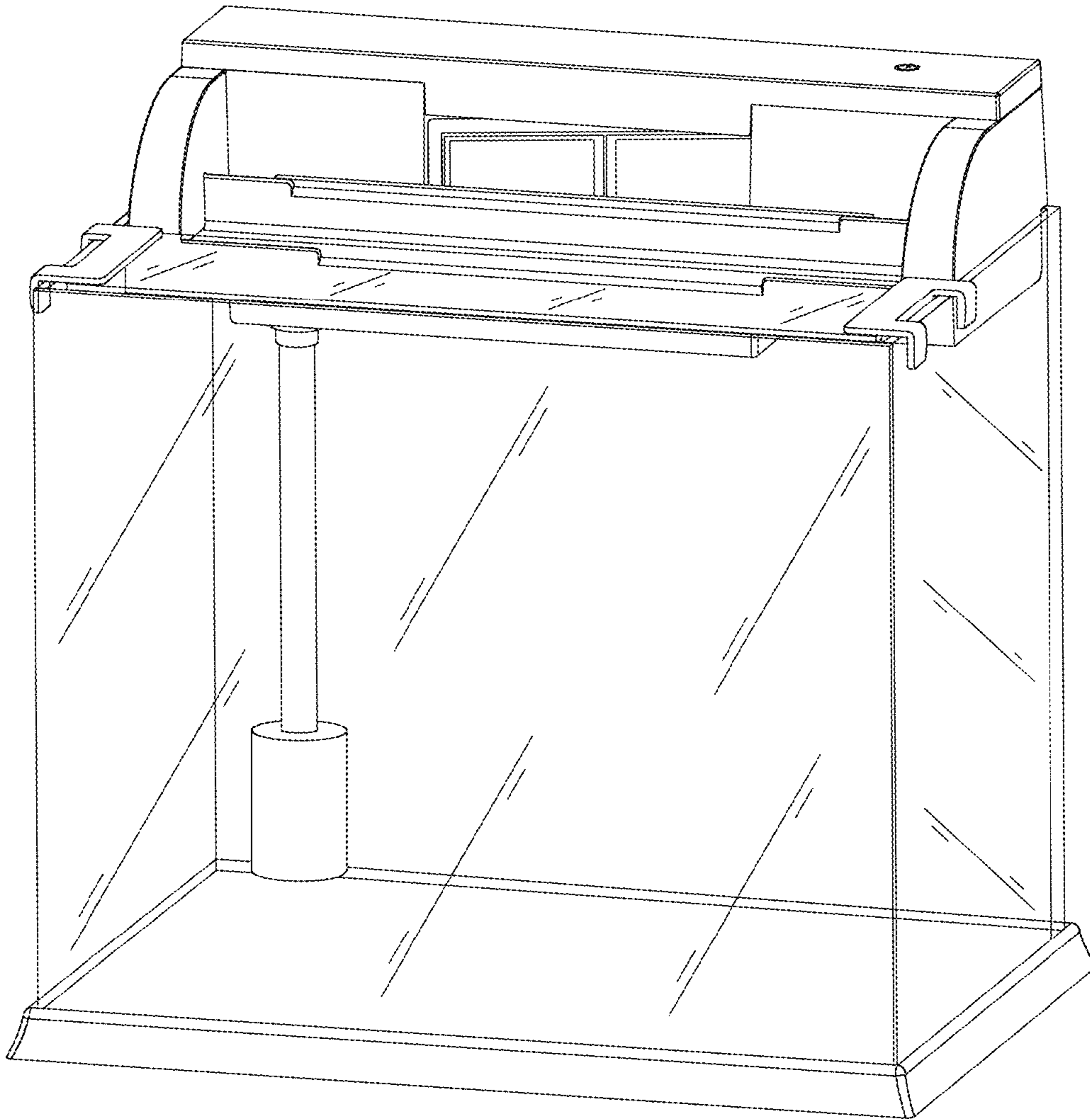


Fig. 1

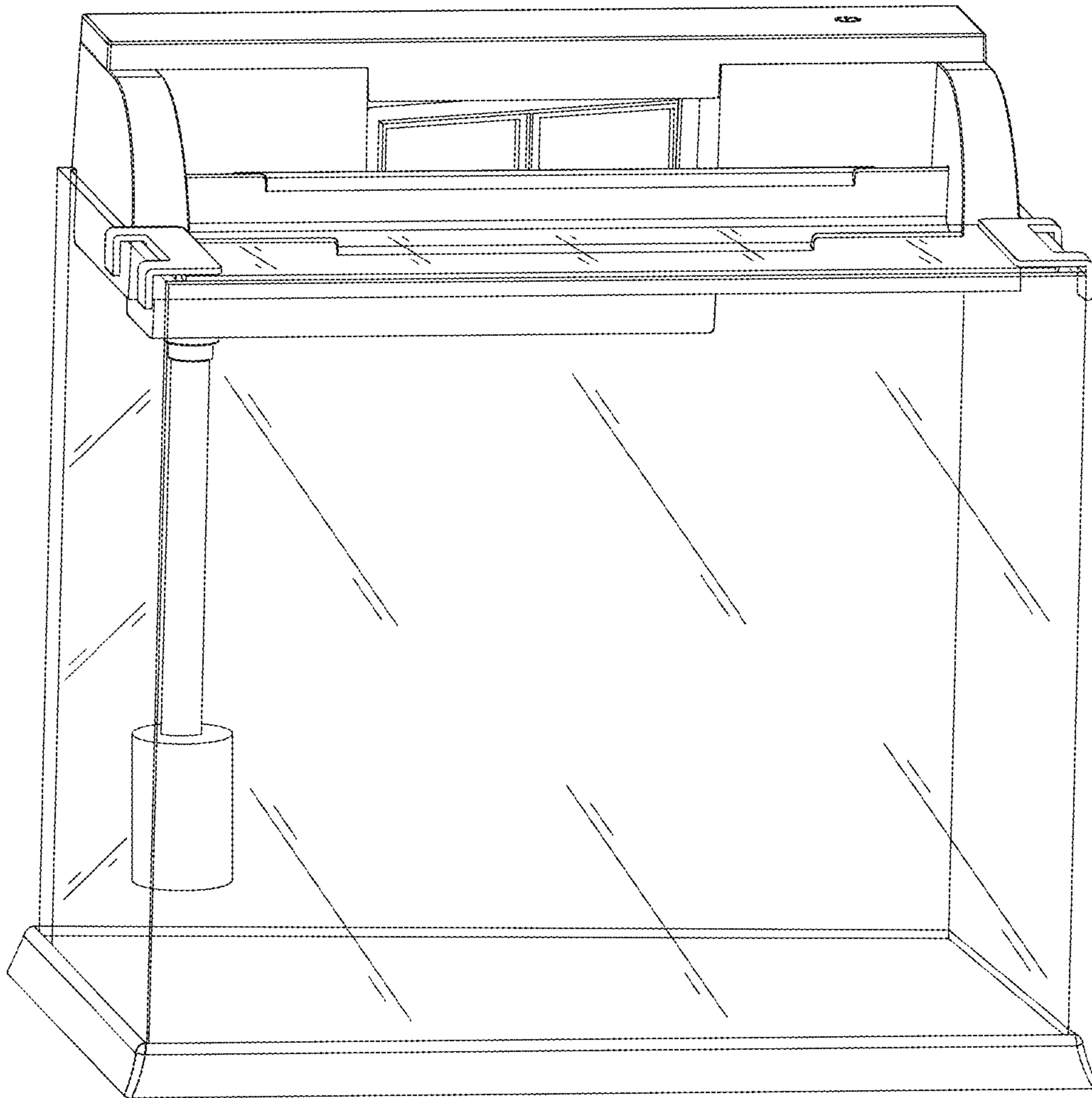


Fig.2

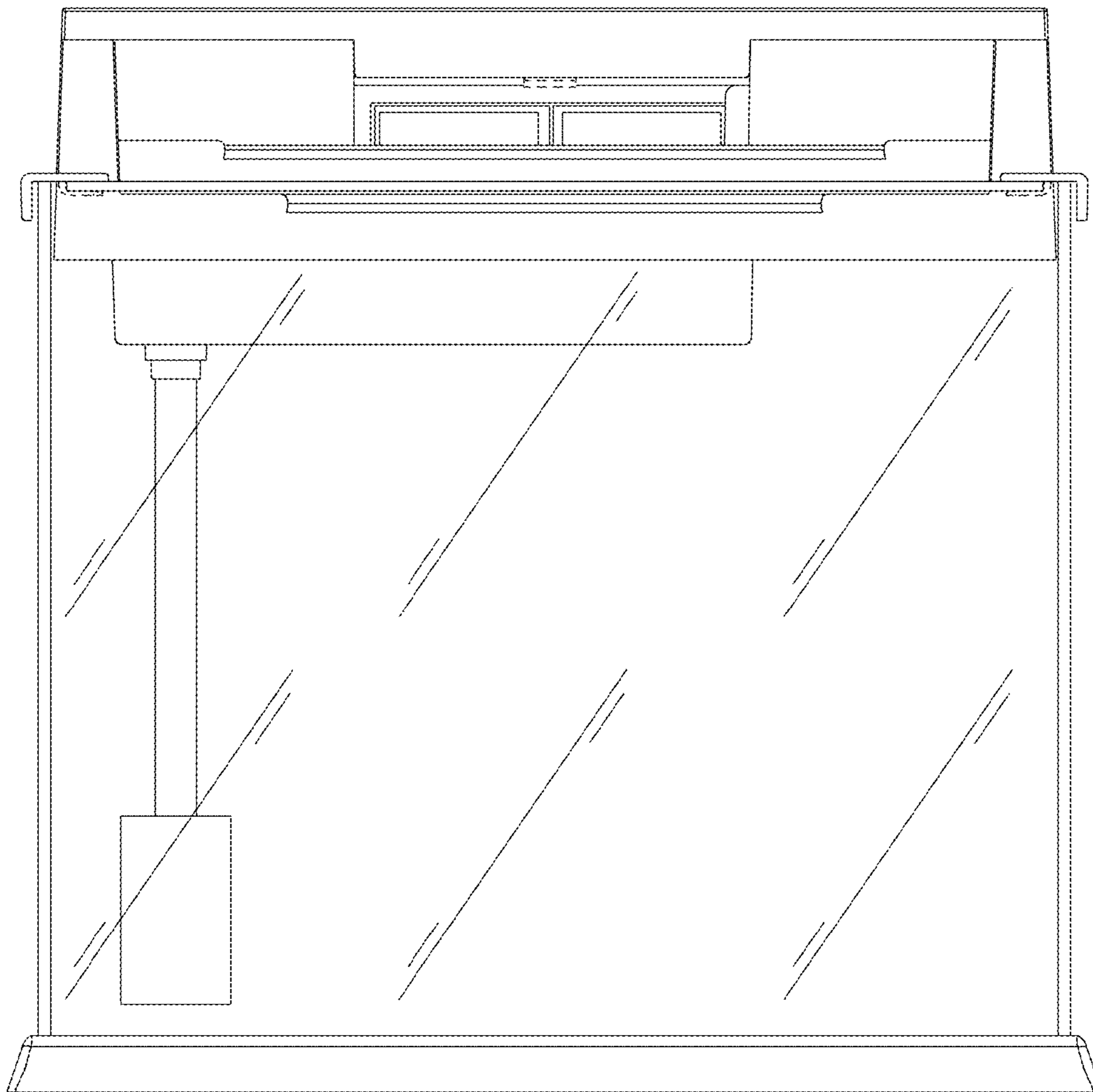


Fig.3

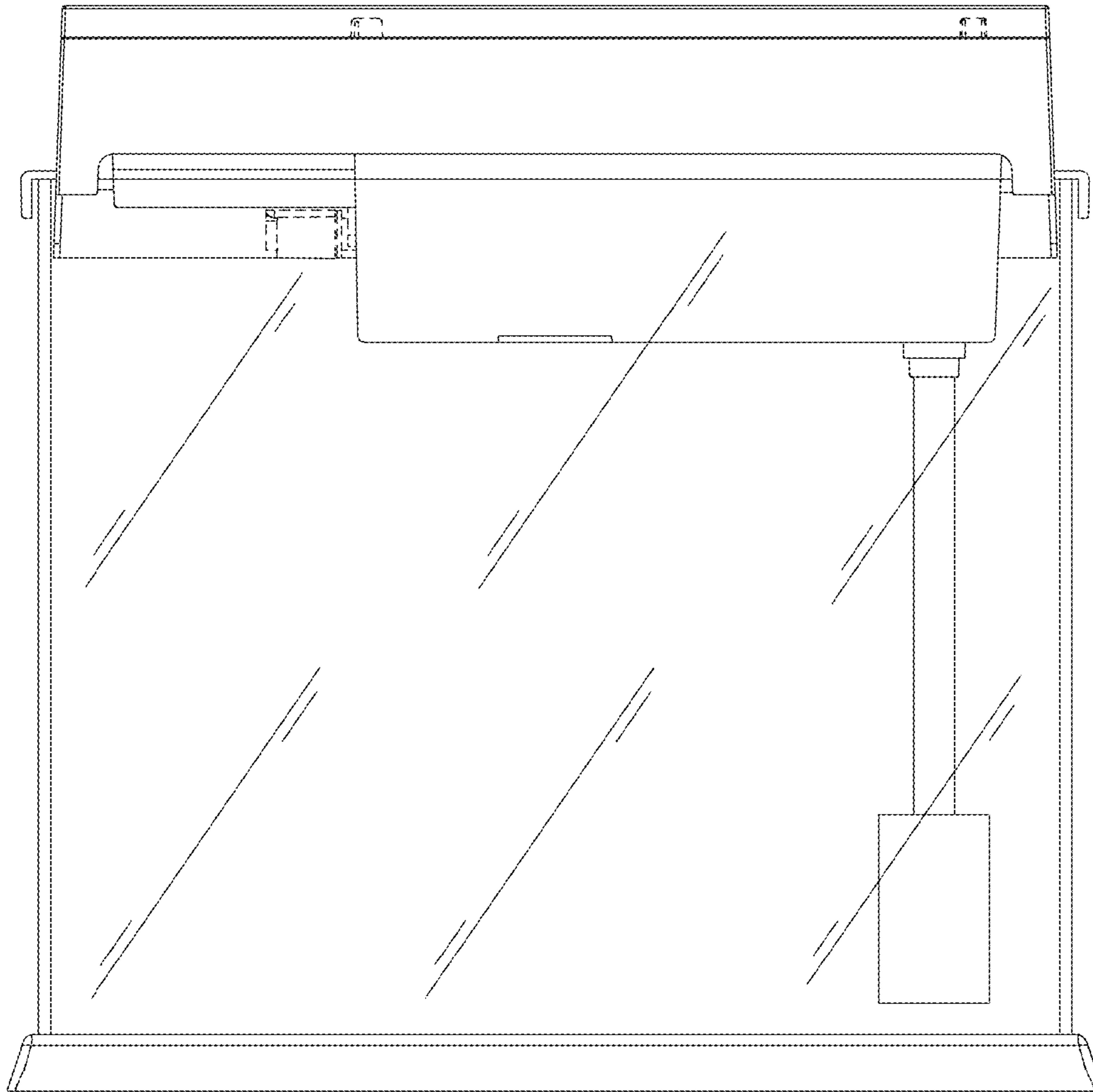


Fig.4

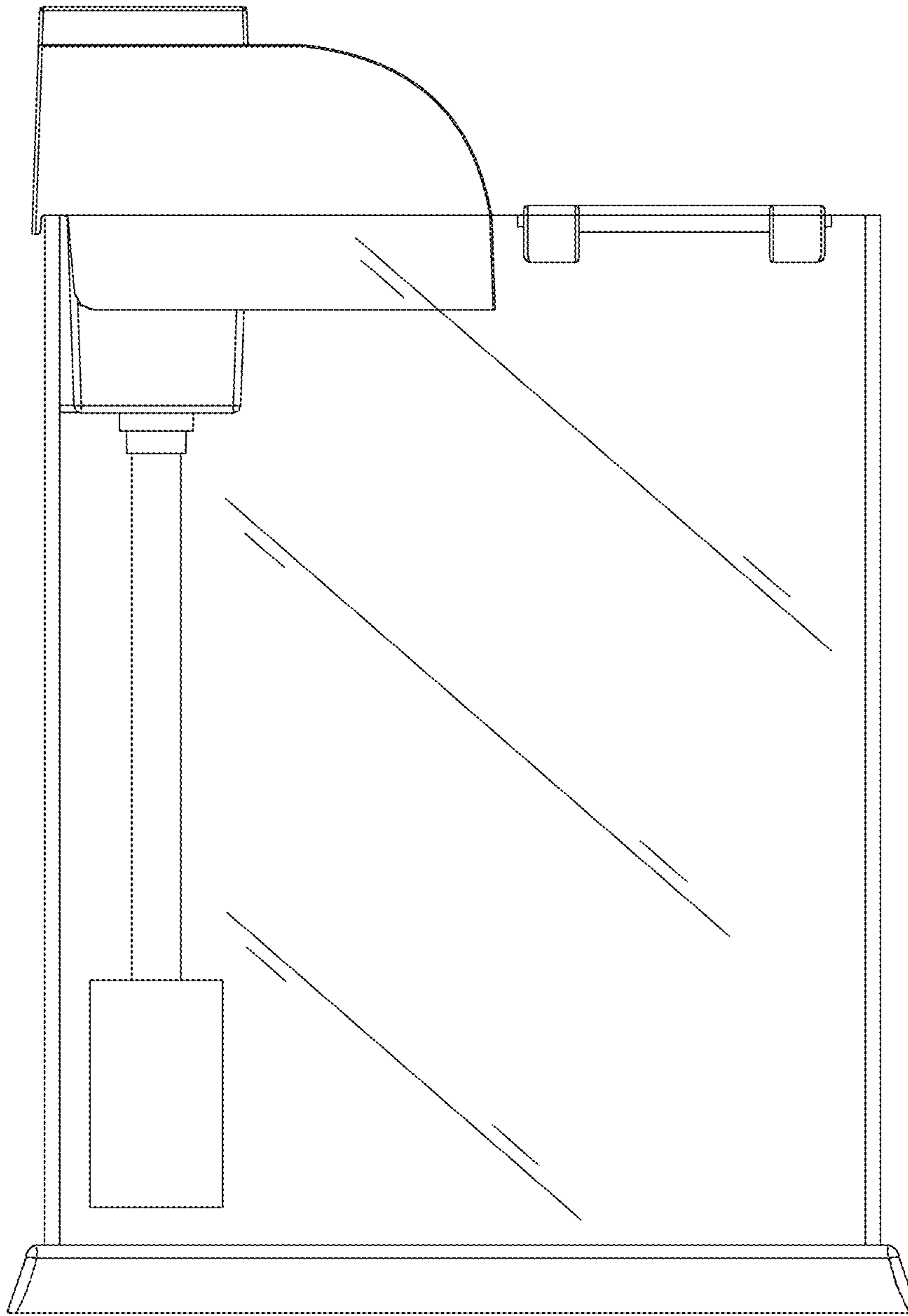


Fig.5

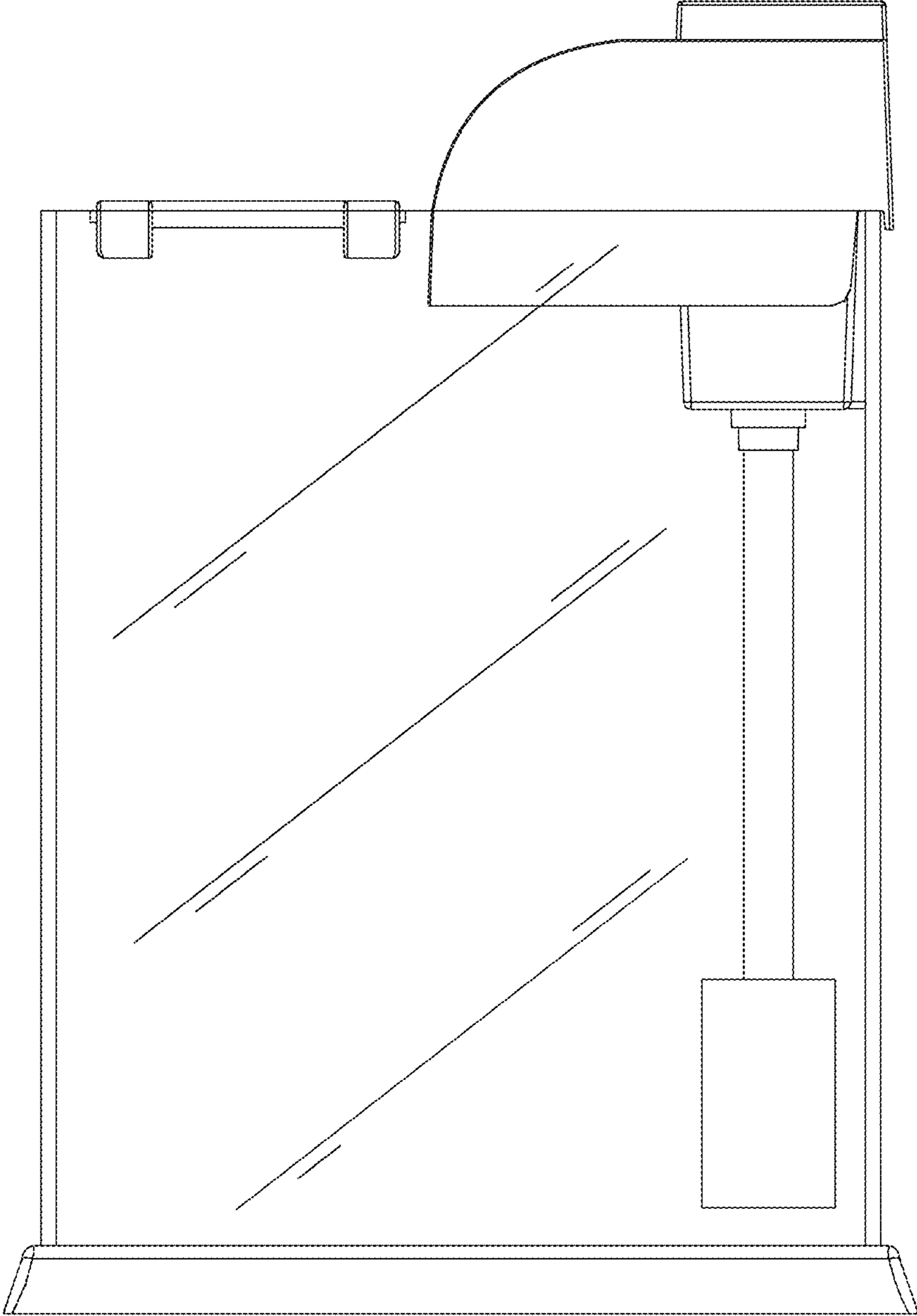


Fig.6

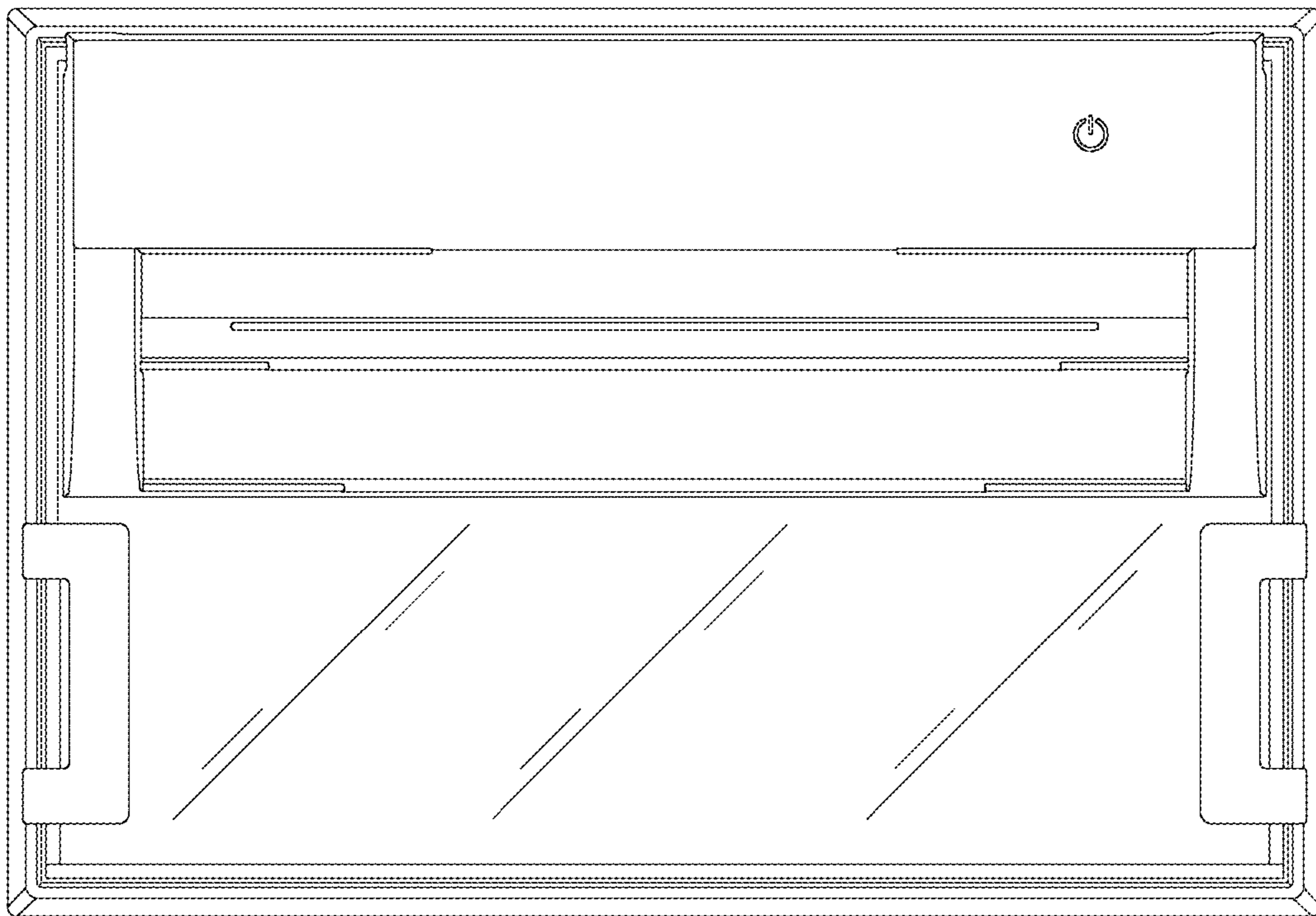


Fig. 7