



US00D775426S

(12) **United States Design Patent** (10) **Patent No.:** **US D775,426 S**  
**Huff** (45) **Date of Patent:** **\*\* Dec. 27, 2016**

(54) **LIP BALM HOLDER**

(71) Applicant: **Tracey Huff**, Westwood, NJ (US)

(72) Inventor: **Tracey Huff**, Westwood, NJ (US)

(\*\*) Term: **14 Years**

(21) Appl. No.: **29/526,611**

(22) Filed: **May 12, 2015**

(51) **LOC (10) Cl.** ..... **28-03**

(52) **U.S. Cl.**  
USPC ..... **D28/87**; D28/89; D9/600; D9/529

(58) **Field of Classification Search**  
USPC ..... D28/4, 76, 77, 85, 86, 87, 88, 89, 90;  
D9/651, 737, 738, 516, 522, 529, 549,  
D9/551, 553, 555, 560, 559, 564, 566,  
D9/504, 432, 726, 502, 600  
CPC ..... A45D 33/00; A45D 33/14; A45D 34/06;  
A45D 40/02; A45D 40/06; A45D 40/20;  
B65D 11/02

See application file for complete search history.

(56) **References Cited**

**U.S. PATENT DOCUMENTS**

2,998,896	A *	9/1961	Miller	.....	B65D 11/02
					220/4.26
D261,105	S *	10/1981	Schwartz	.....	D9/504
D273,766	S *	5/1984	Lampe	.....	D9/424
6,050,438	A *	4/2000	Kovens	.....	B65D 11/02
					220/4.24
D465,149	S *	11/2002	Bennett	.....	D9/691
D554,529	S *	11/2007	Green	.....	D9/726
D564,900	S *	3/2008	Green	.....	D9/504
D575,643	S *	8/2008	Florio	.....	D9/435
D653,547	S *	2/2012	Canuto	.....	D9/519
D710,544	S *	8/2014	Shen	.....	D28/77
D717,173	S *	11/2014	Wechsler	.....	D9/435
D726,028	S *	4/2015	Thompson	.....	D28/7
D737,136	S *	8/2015	Lam	.....	D9/643
D758,867	S *	6/2016	Tsai	.....	D28/89
2007/0108092	A1 *	5/2007	Minuto	.....	B65D 11/02
					206/581

(Continued)

**OTHER PUBLICATIONS**

Coolthings australia, "Hatching Crocodile Egg", Reviewed as early as Sep. 22, 2008, Accessed Sep. 20, 2016. (<http://www.coolthings.com.au/hatching-crocodile-egg.html>).\*

(Continued)

*Primary Examiner* — Jennifer Rivard

*Assistant Examiner* — April Rivas

(74) *Attorney, Agent, or Firm* — Scott H. Kaliko, Esq.;  
Kaliko & Associates, LLC

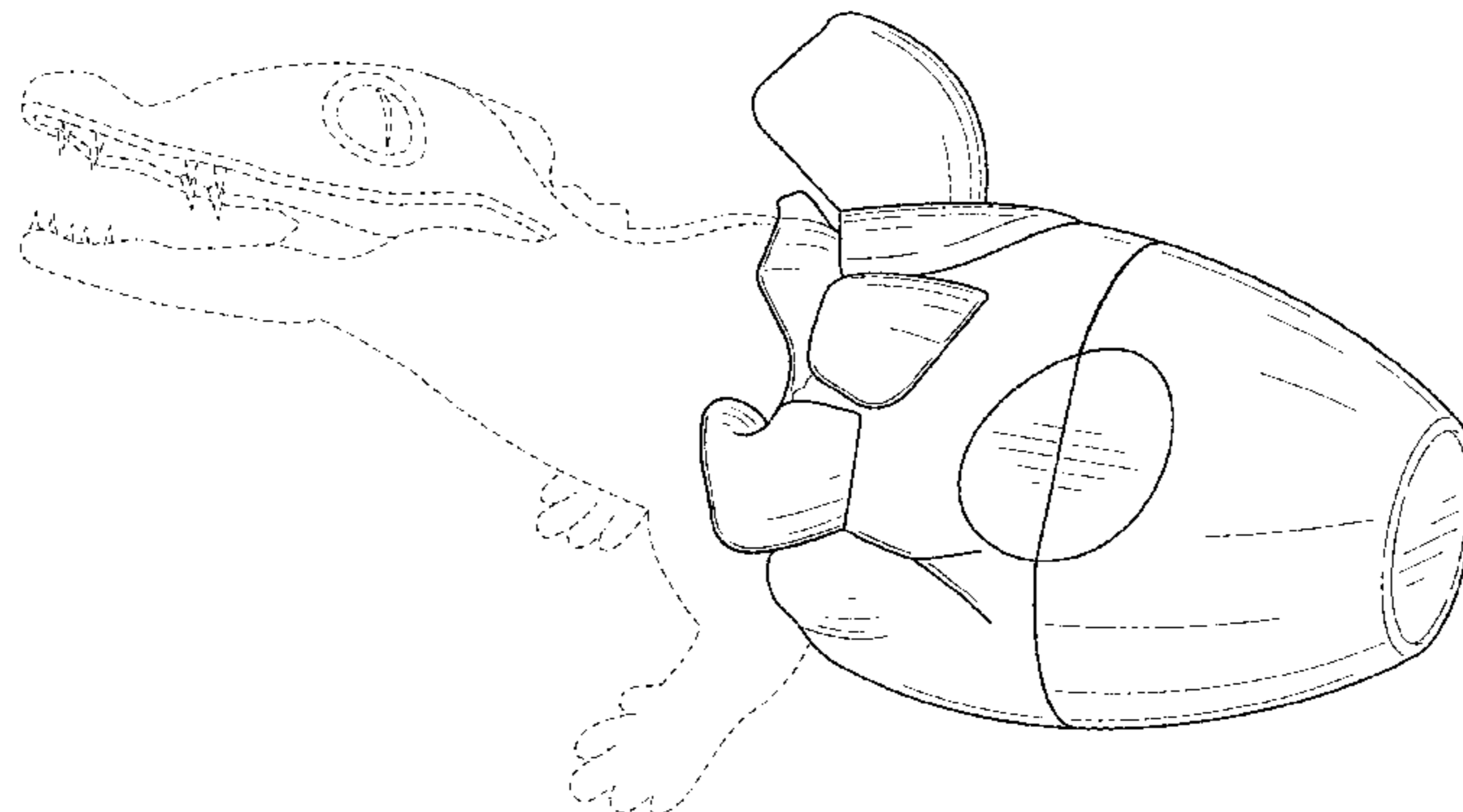
(57) **CLAIM**

The ornamental design for a lip balm holder, as shown and described.

**DESCRIPTION**

FIG. 1 is an environmental PERSPECTIVE view of an embodiment of the present invention;  
FIG. 2 is a FRONT view of an embodiment of the present invention;  
FIG. 3 is a BACK view of an embodiment of the present invention;  
FIG. 4 is a SIDE view of an embodiment of the present invention;  
FIG. 5 is a SIDE view of an embodiment of the present invention;  
FIG. 6 is a TOP view of an embodiment of the present invention;  
FIG. 7 is a BOTTOM view of an embodiment of the present invention; and,  
FIG. 8 is an EXPLODED view of an embodiment of the present invention.  
The broken lines depicting an animal in FIG. 1 illustrate environment. The remaining broken lines illustrate the bounds of the claimed design. None of the broken lines form part of the claimed design.

**1 Claim, 5 Drawing Sheets**



(56)

**References Cited**

U.S. PATENT DOCUMENTS

2015/0210432 A1\* 7/2015 Lam ..... B65D 25/04  
206/459.5

OTHER PUBLICATIONS

Cute Korean Cosmetics Blog, "Using The Tonymoly Egg Pore Special 3Pcs Set for Freshness", Posted Dec. 10, 2013, Accessed Sep. 20, 2016. (<http://cutekoreancosmetics.com/using-the-tonymoly-egg-pore-special-3pcs-set-for-freshness>).\*

\* cited by examiner

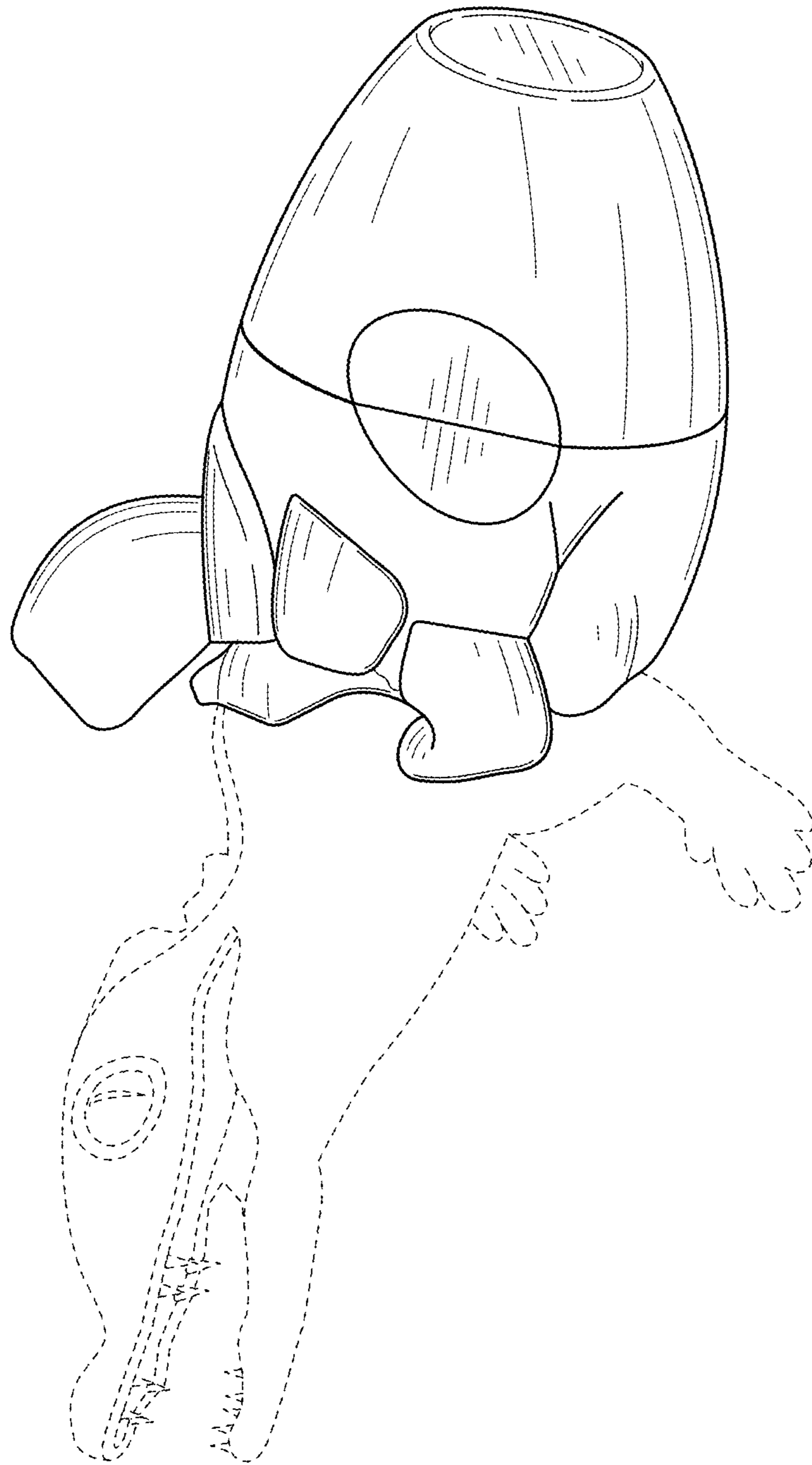


FIG. 1

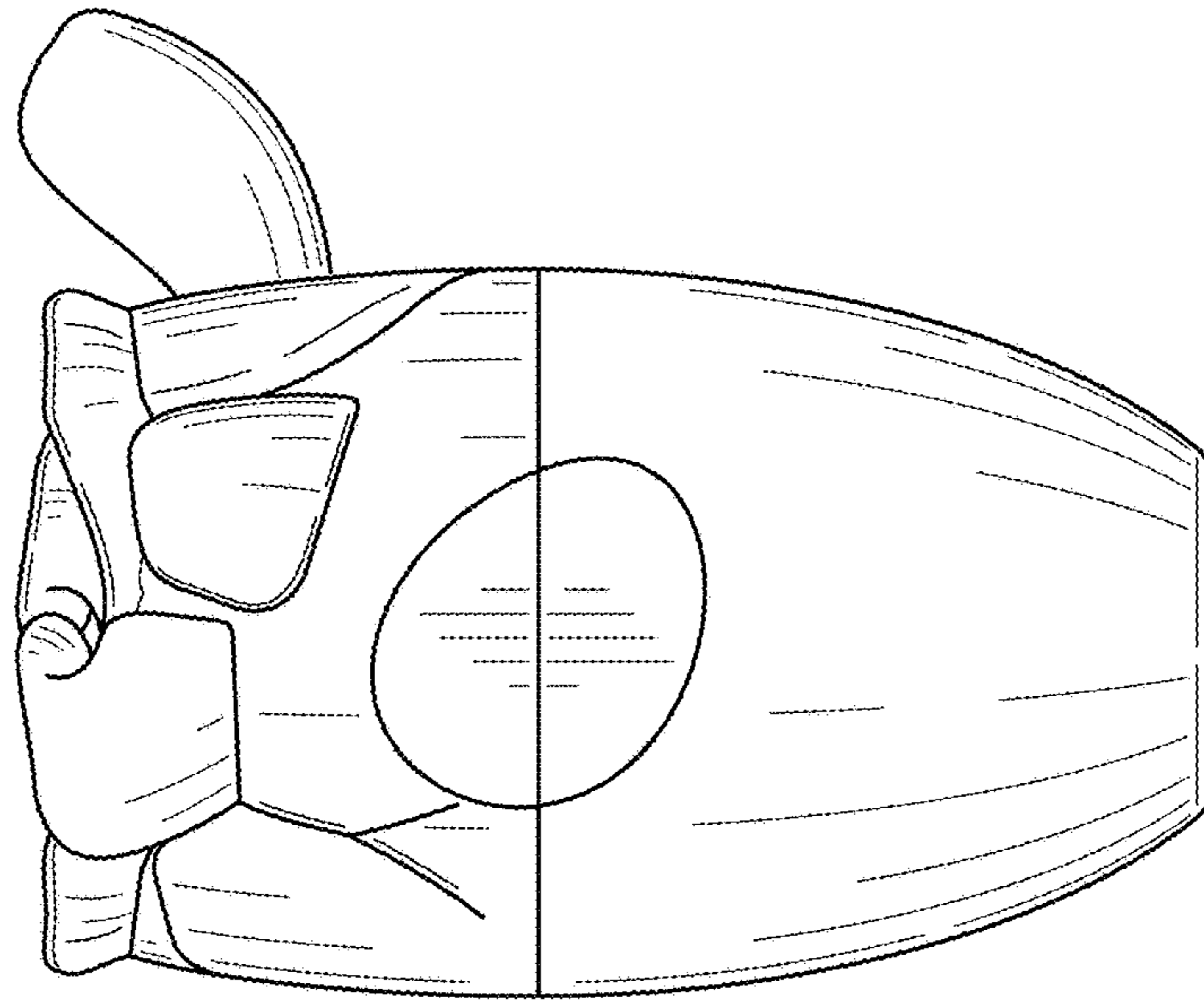


FIG. 2

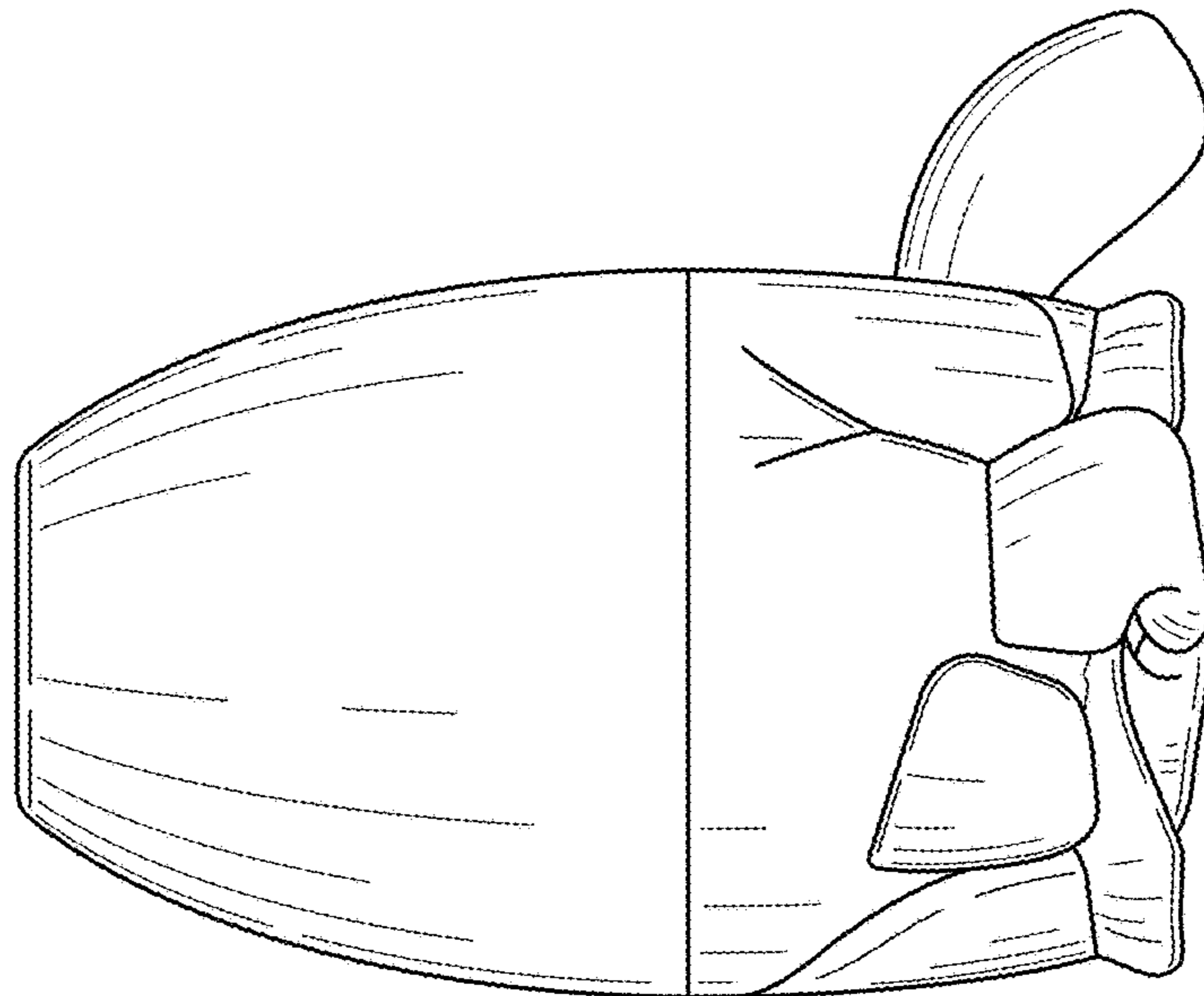


FIG. 3

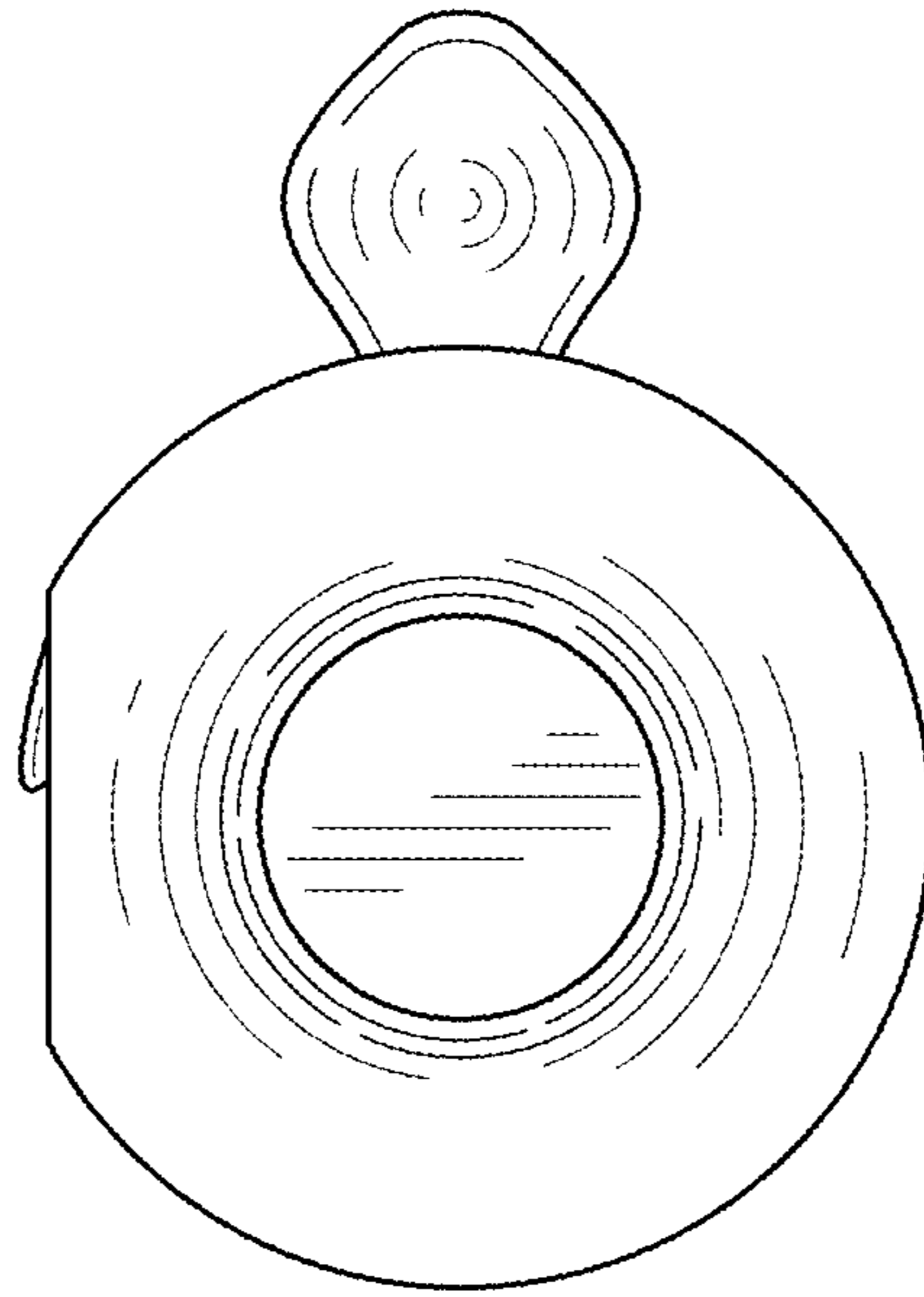


FIG. 4

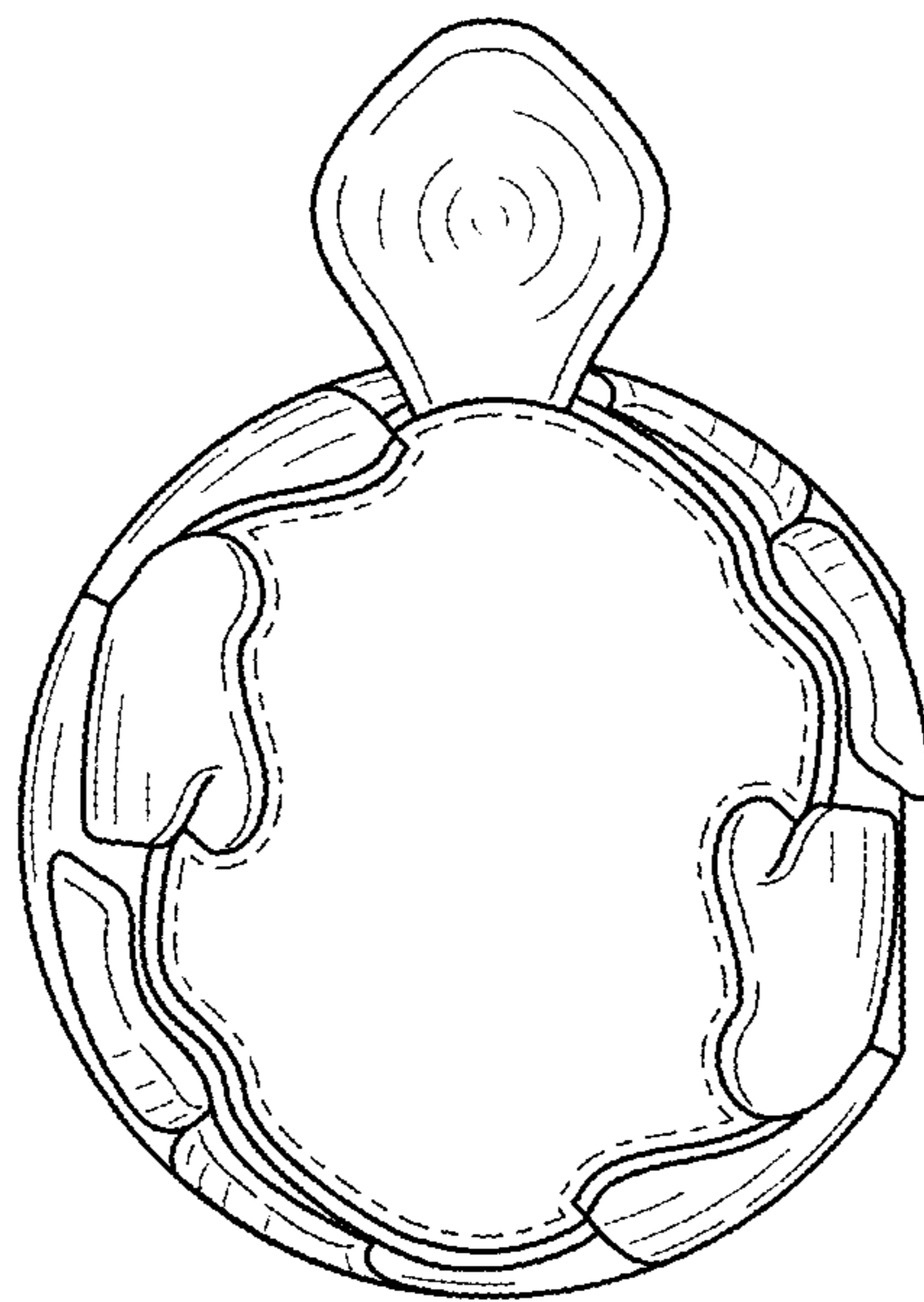


FIG. 5

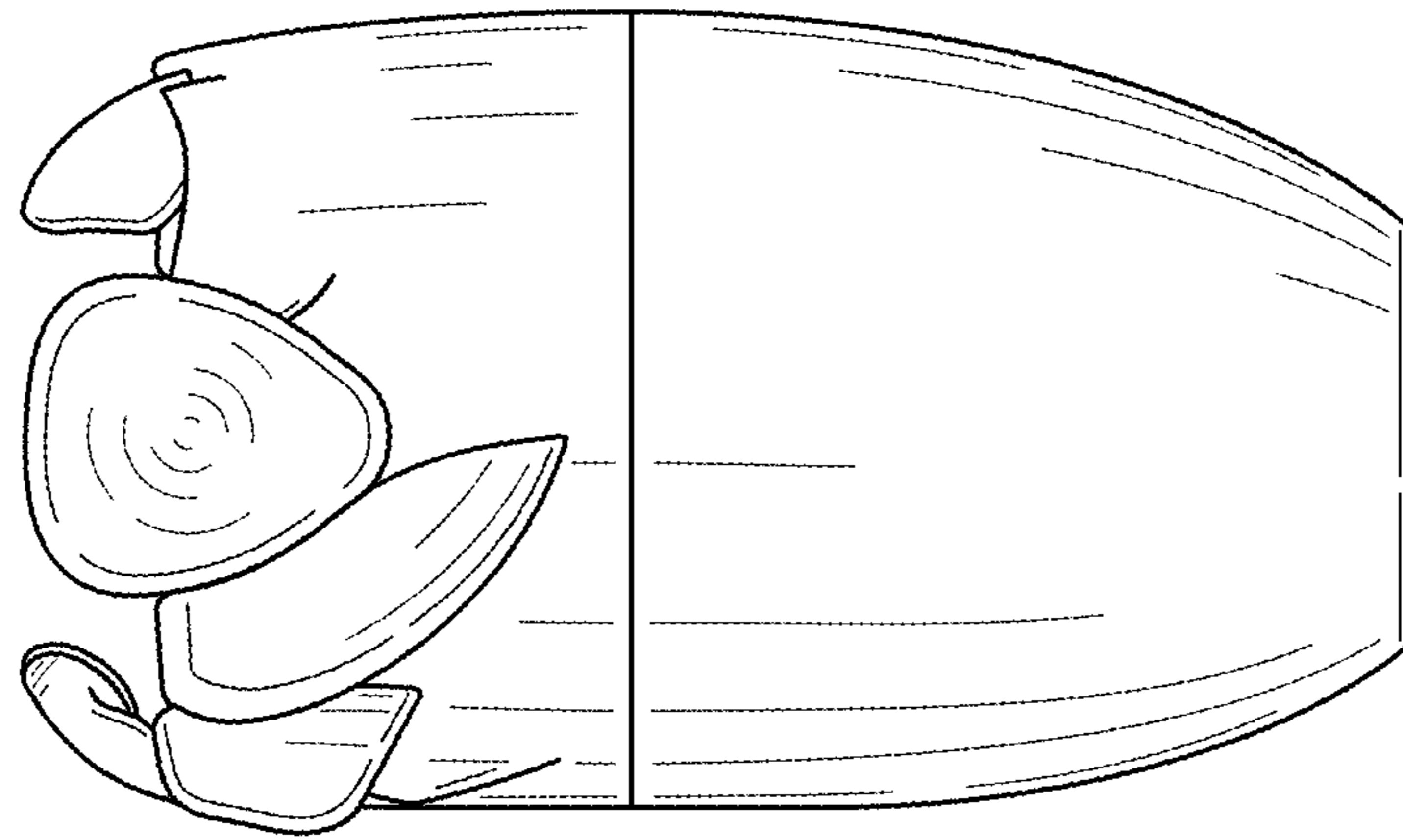


FIG. 6

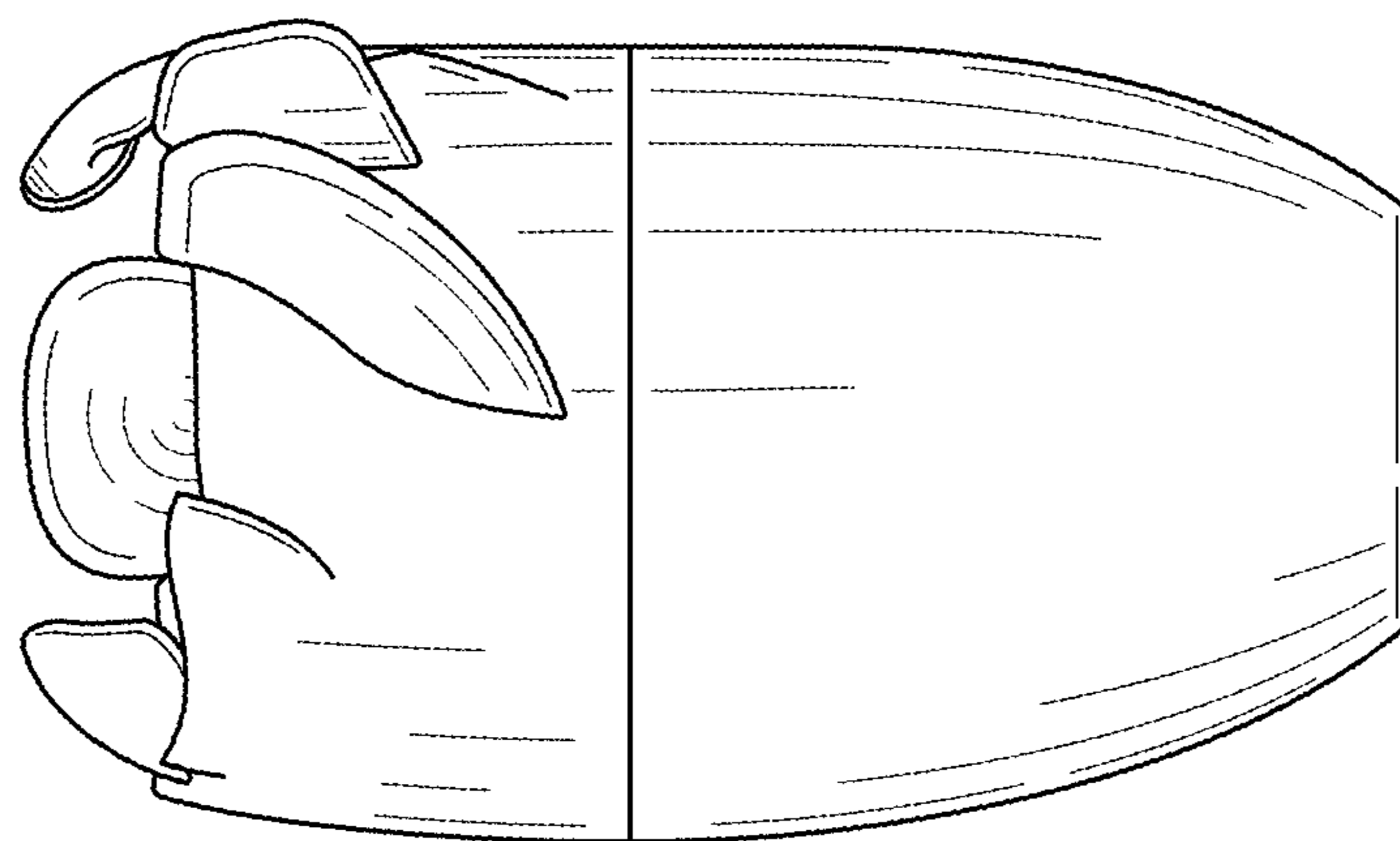


FIG. 7

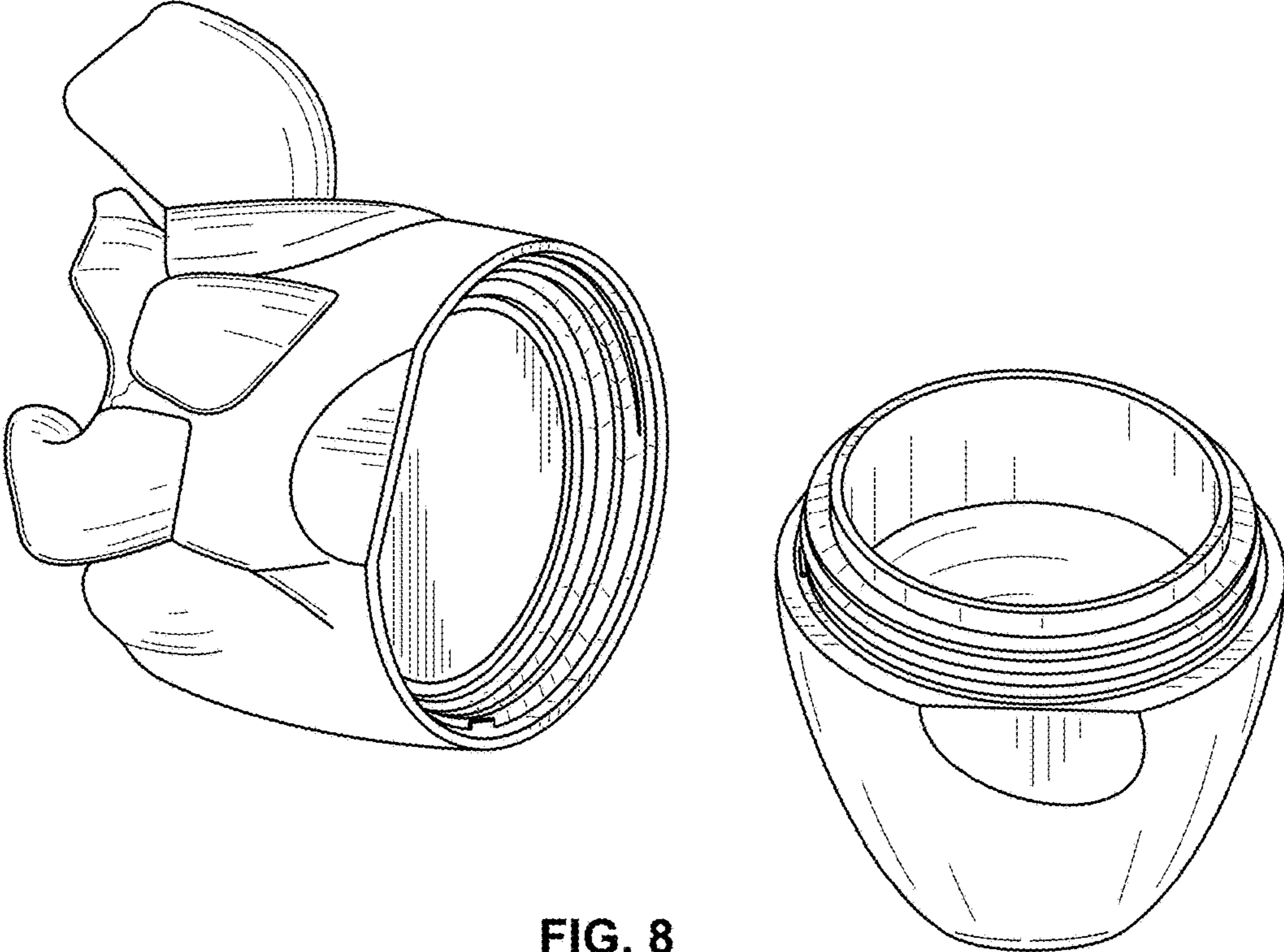


FIG. 8