



US00D775425S

(12) **United States Design Patent**
Petrucelli

(10) **Patent No.:** **US D775,425 S**

(45) **Date of Patent:** **** Dec. 27, 2016**

(54) **COLLAPSIBLE PEDESTAL FOR HOLDING HAIR STYLING TOOLS**

(71) Applicant: **P.S. Pibbs, Inc.**, Flushing, NY (US)

(72) Inventor: **Giulio Petrucelli**, Flushing, NY (US)

(73) Assignee: **P.S. Pibbs, Inc.**, Flushing, NY (US)

(**) Term: **14 Years**

(21) Appl. No.: **29/518,809**

(22) Filed: **Feb. 27, 2015**

(51) **LOC (10) Cl.** **28-03**

(52) **U.S. Cl.**
USPC **D28/73**; D28/38

(58) **Field of Classification Search**
USPC .. D6/567, 566, 528, 531, 527, 681.3, 682.2, D6/682.5, 682.6, 672, 675, 677; D28/73, D28/77, 38, 74, 93, 92, 17, 18, 9, 56, D28/57, 62; D8/373, 366, 71, 352, 356, D8/376, 38; D7/704, 568
CPC F16M 11/04; A45D 20/00; A45D 20/12; A45D 2020/126; A45D 2020/128; A45D 44/02; A45D 44/04; A45D 20/16; A45D 2001/002; A45D 1/00

See application file for complete search history.

(56) **References Cited**

U.S. PATENT DOCUMENTS

- D373,849 S * 9/1996 Passalacqua D28/38
- D375,229 S * 11/1996 DiBella D7/619.1
- D377,695 S * 1/1997 Puckett D28/38
- D391,812 S * 3/1998 Shafa D7/704

- D487,862 S * 3/2004 Tincher D7/620
- D589,873 S * 4/2009 Banks D12/411
- D603,095 S * 10/2009 Petrucelli D28/38
- D632,908 S * 2/2011 Tincher D6/513
- D640,003 S * 6/2011 Gilbert D28/38
- D649,709 S * 11/2011 Loman D27/183
- D702,885 S * 4/2014 Petrucelli D28/38
- D735,939 S * 8/2015 Petrucelli D28/10
- D742,592 S * 11/2015 Petrucelli D28/73
- D748,334 S * 1/2016 Goodman D28/38

* cited by examiner

Primary Examiner — Jennifer Rivard

Assistant Examiner — April Rivas

(74) *Attorney, Agent, or Firm* — Gerald E. Hespos; Michael J. Porco; Matthew T. Hespos

(57) **CLAIM**

The ornamental design for a collapsible pedestal for holding hair styling tools, as shown and described.

DESCRIPTION

FIG. 1 is an environmental perspective view of a collapsible pedestal for holding hair styling tools showing my new design;

FIG. 2 is a perspective view of a collapsible pedestal for holding hair styling tools;

FIG. 3 is a front elevational view thereof;

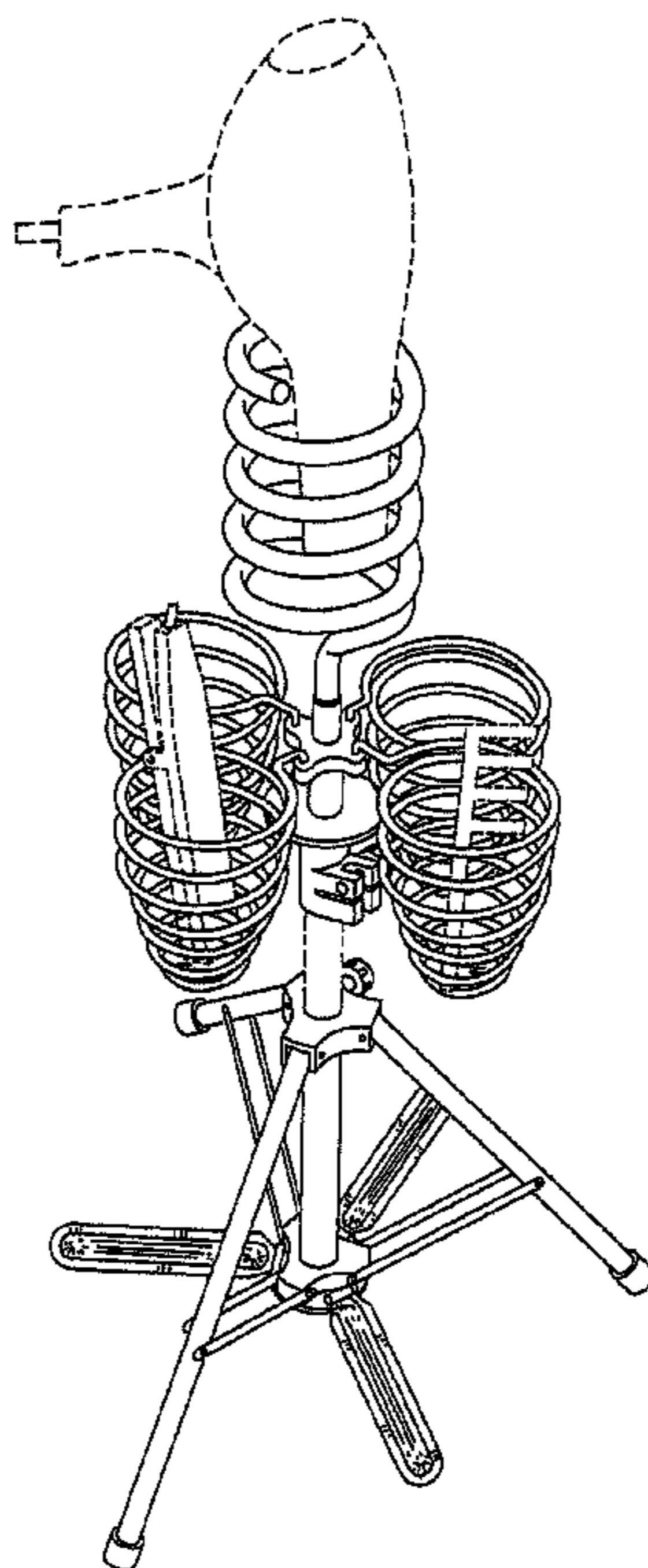
FIG. 4 is a top plan view thereof;

FIG. 5 is a rear elevational view thereof; and,

FIG. 6 is a bottom plan view thereof.

The broken lines tools in FIG. 1 illustrate environment. The remaining broken lines illustrate portions of the collapsible pedestal for holding hair styling tools. None of the broken lines form part of the claimed design.

1 Claim, 6 Drawing Sheets



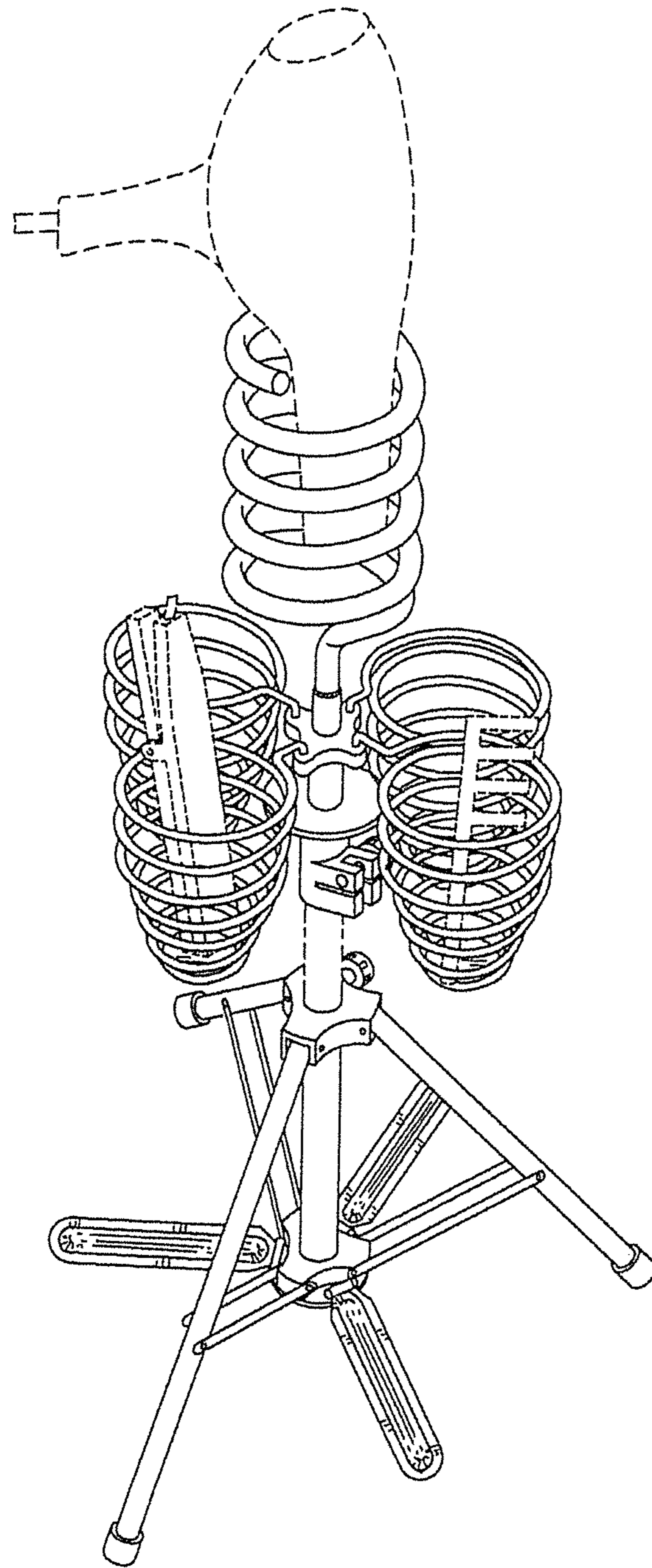


FIG. 1

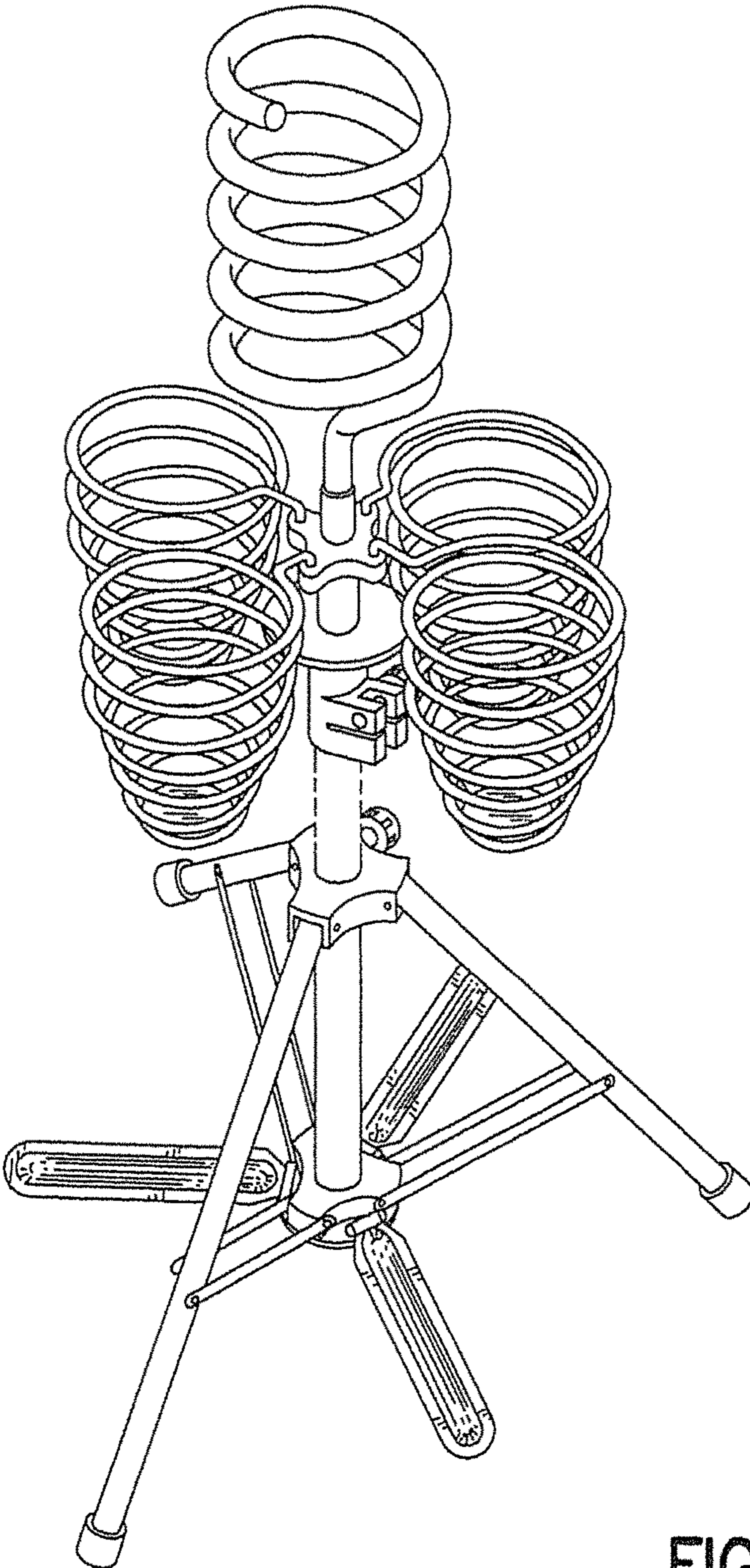
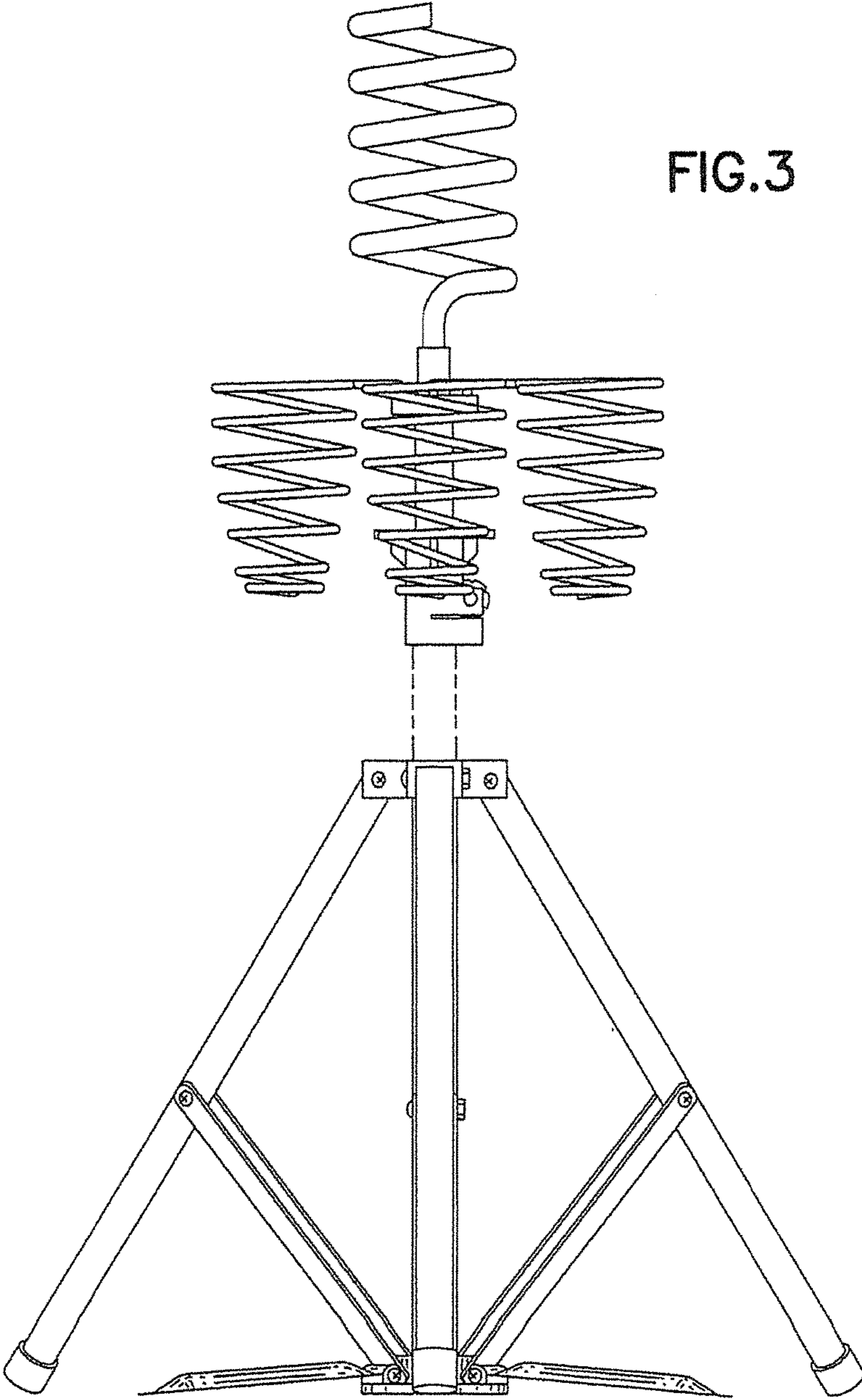


FIG.2



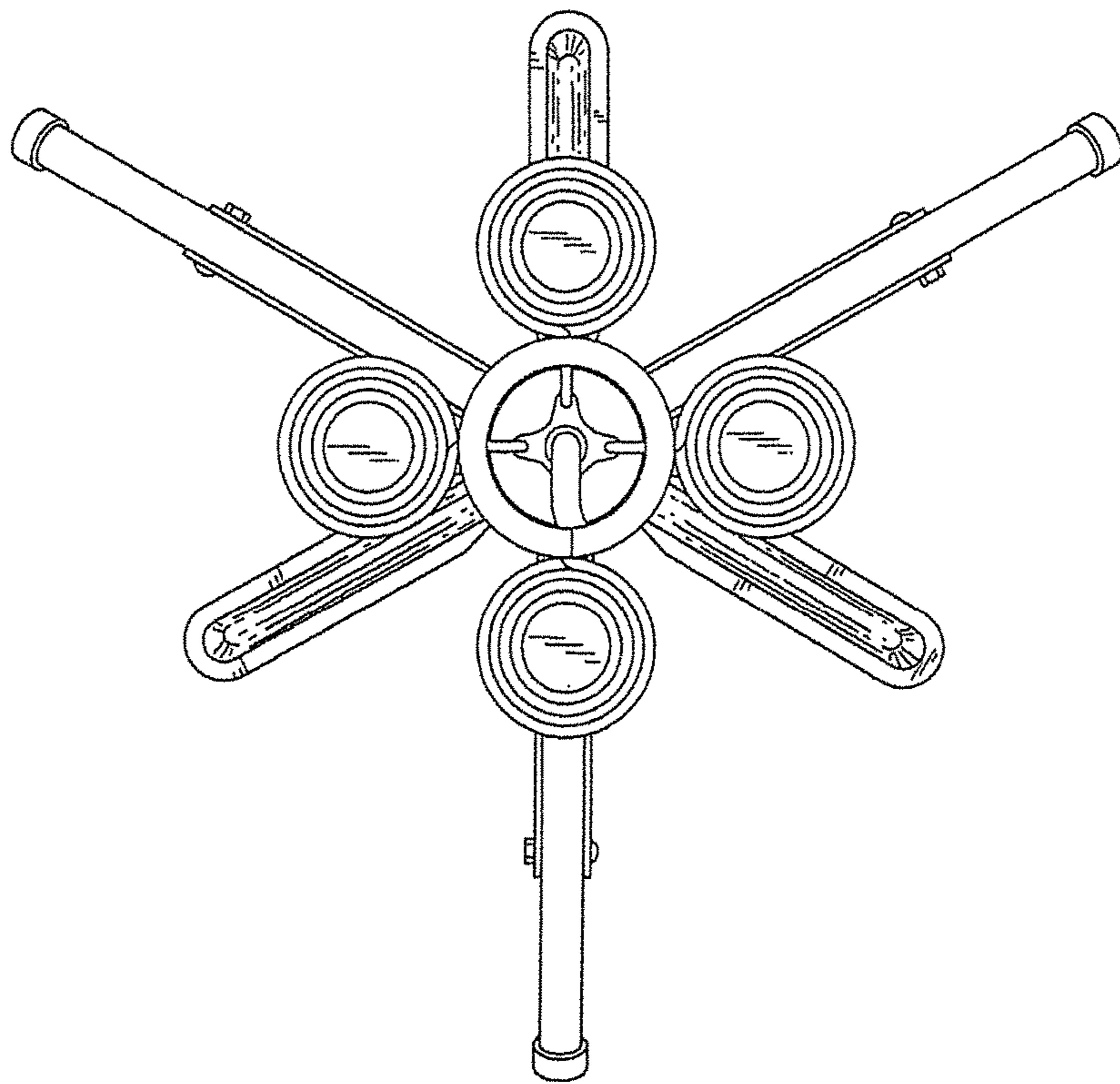


FIG.4

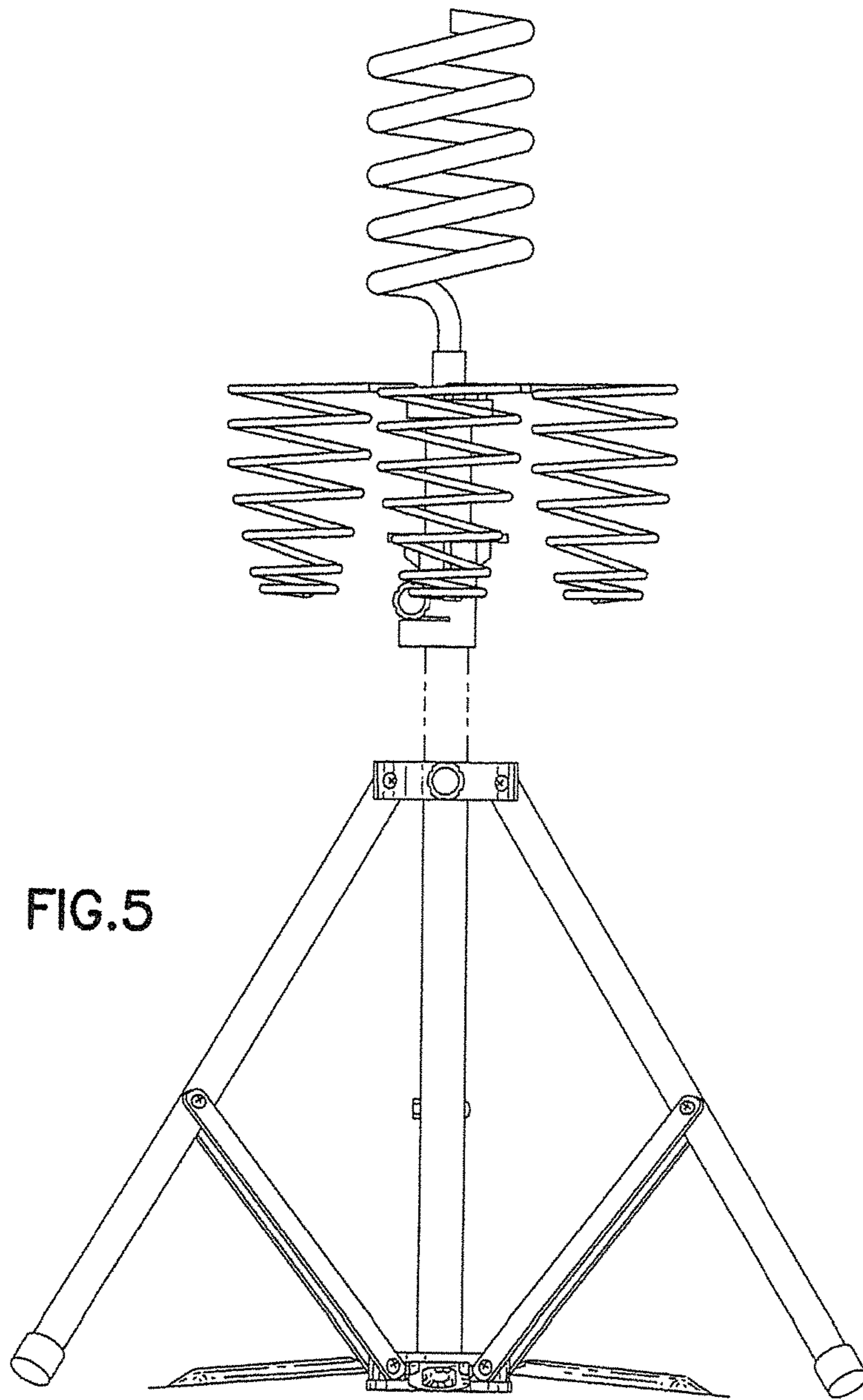


FIG. 5

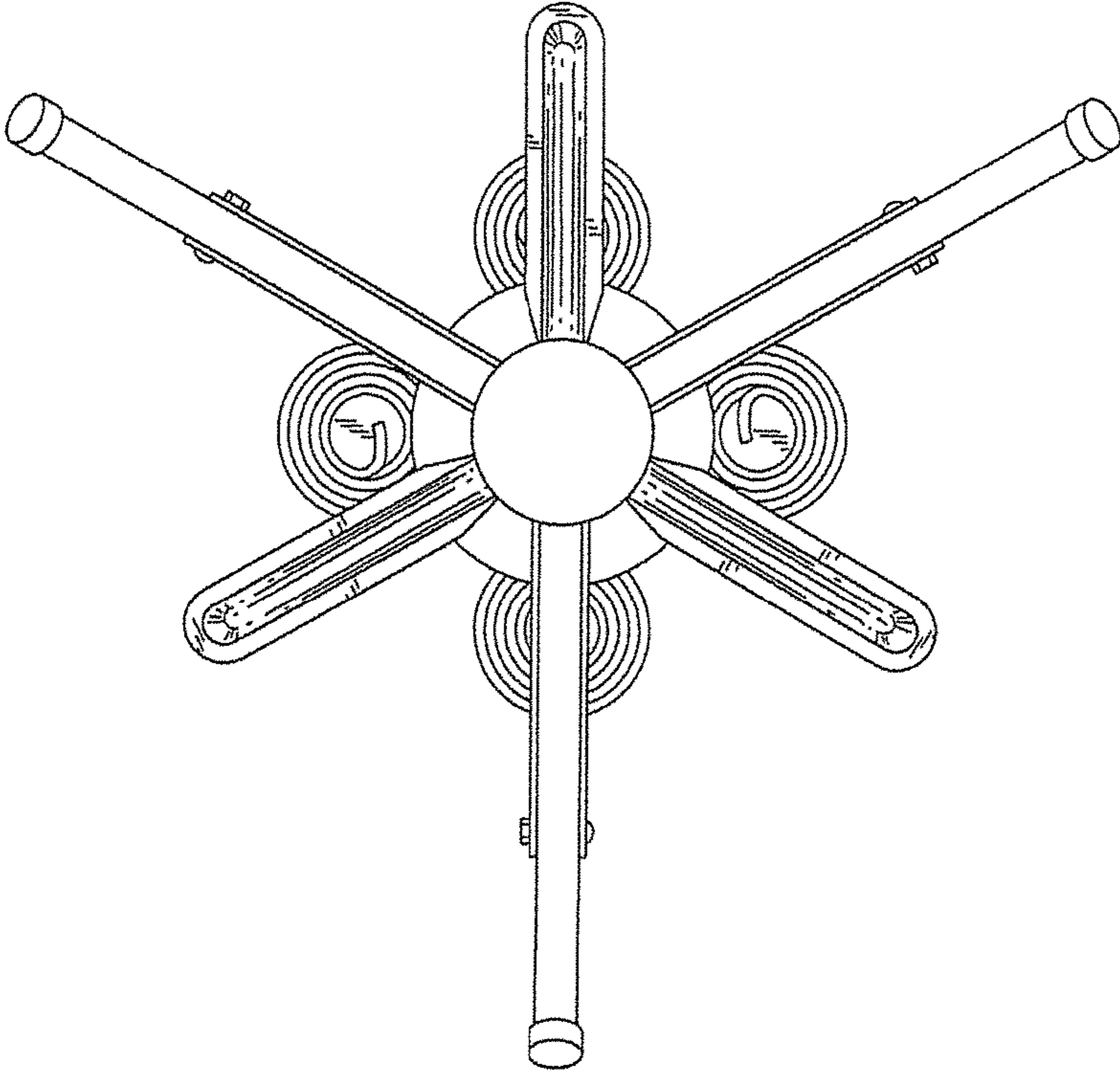


FIG.6