



US00D775418S

(12) **United States Design Patent** (10) **Patent No.:** **US D775,418 S**
Stephens et al. (45) **Date of Patent:** **** Dec. 27, 2016**

(54) **ACCESSORY FOR A HAIRDRYER**
 (71) Applicant: **Dyson Technology Limited**, Wiltshire (GB)
 (72) Inventors: **Philip Jonathan Stephens**, Swindon (GB); **Boris Zukina**, Bristol (GB); **Christopher John Tyler**, Leicester (GB)
 (73) Assignee: **Dyson Technology Limited**, Malmesbury, Wiltshire (GB)
 (**) Term: **15 Years**
 (21) Appl. No.: **29/550,184**
 (22) Filed: **Dec. 30, 2015**

2014/0007448 A1* 1/2014 Courtney A45D 20/12 34/97
 2015/0007855 A1* 1/2015 Moloney A45D 20/10 132/271
 2016/0206076 A1* 7/2016 Stephens A45D 20/10
 2016/0206077 A1* 7/2016 Stephens A45D 20/10
 2016/0220004 A1* 8/2016 Moloney A45D 20/10

FOREIGN PATENT DOCUMENTS

CN 3678682 * 8/2007
 CN 302689572 * 12/2013
 DE 4218857 C1 * 4/1993 A45D 20/122
 GB CA 2878154 A1 * 1/2014 A45D 20/12
 GB 2515810 A * 1/2015 A45D 20/08
 GB 2515813 A * 1/2015 A45D 20/10
 GB 2516478 A * 1/2015 A45D 20/10
 IN 273472-0001 * 6/2016

* cited by examiner

Primary Examiner — Catherine Tuttle

Assistant Examiner — Mary Malley

(74) *Attorney, Agent, or Firm* — Morrison & Foerster LLP

(30) **Foreign Application Priority Data**
 Jul. 3, 2015 (EM) 001436810-0001
 (51) **LOC (10) Cl.** **28-03**
 (52) **U.S. Cl.**
 USPC **D28/18**
 (58) **Field of Classification Search**
 USPC ... D28/9, 10, 12, 13, 14, 17, 18, 19, 20, 25, D28/28; D30/158, 159; 34/98
 CPC A45D 20/00; A45D 20/04; A45D 20/08; A45D 20/10; A45D 20/12; A45D 20/122; A45D 20/14; A45D 20/124; A45D 20/26; A45D 20/16; A45D 2020/126; A45D 2020/128
 See application file for complete search history.

(57) **CLAIM**

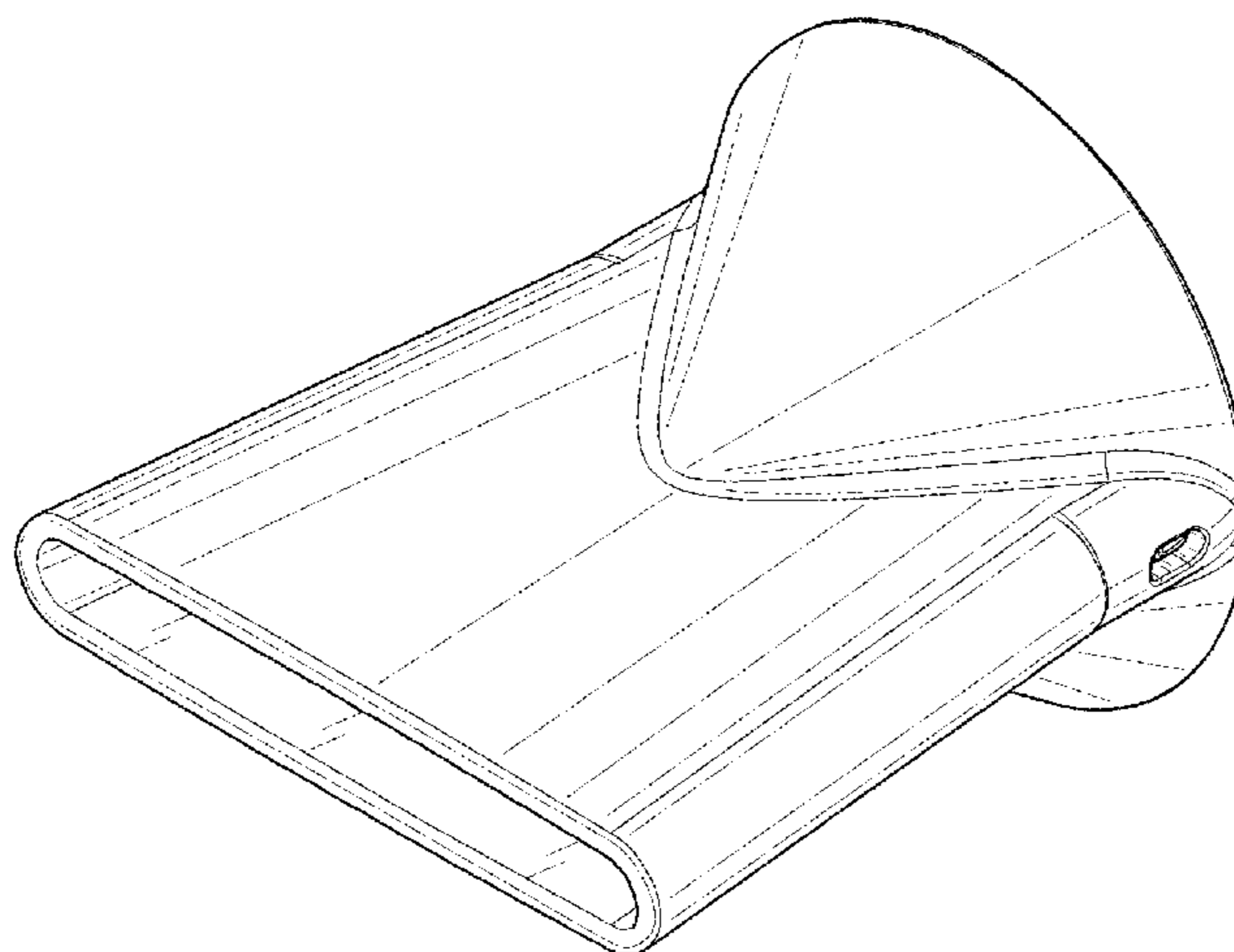
We claim the ornamental design for an accessory for a hairdryer, as shown and described.

DESCRIPTION

FIG. 1 is a front perspective view of an accessory for a hairdryer showing our new design;
 FIG. 2 is a rear perspective view thereof;
 FIG. 3 is a front view thereof;
 FIG. 4 is a rear view thereof;
 FIG. 5 is a side view thereof;
 FIG. 6 is a side view of the opposite side of FIG. 5; and,
 FIG. 7 is a top view thereof.
 The broken lines are included for the purpose of illustrating the portions of the accessory for a hair dryer that form no part of the claimed design.

(56) **References Cited**
 U.S. PATENT DOCUMENTS
 D600,405 S * 9/2009 Soresina D28/13
 D603,094 S * 10/2009 Piard D28/13
 D655,038 S * 2/2012 Petrucci D28/13

1 Claim, 7 Drawing Sheets



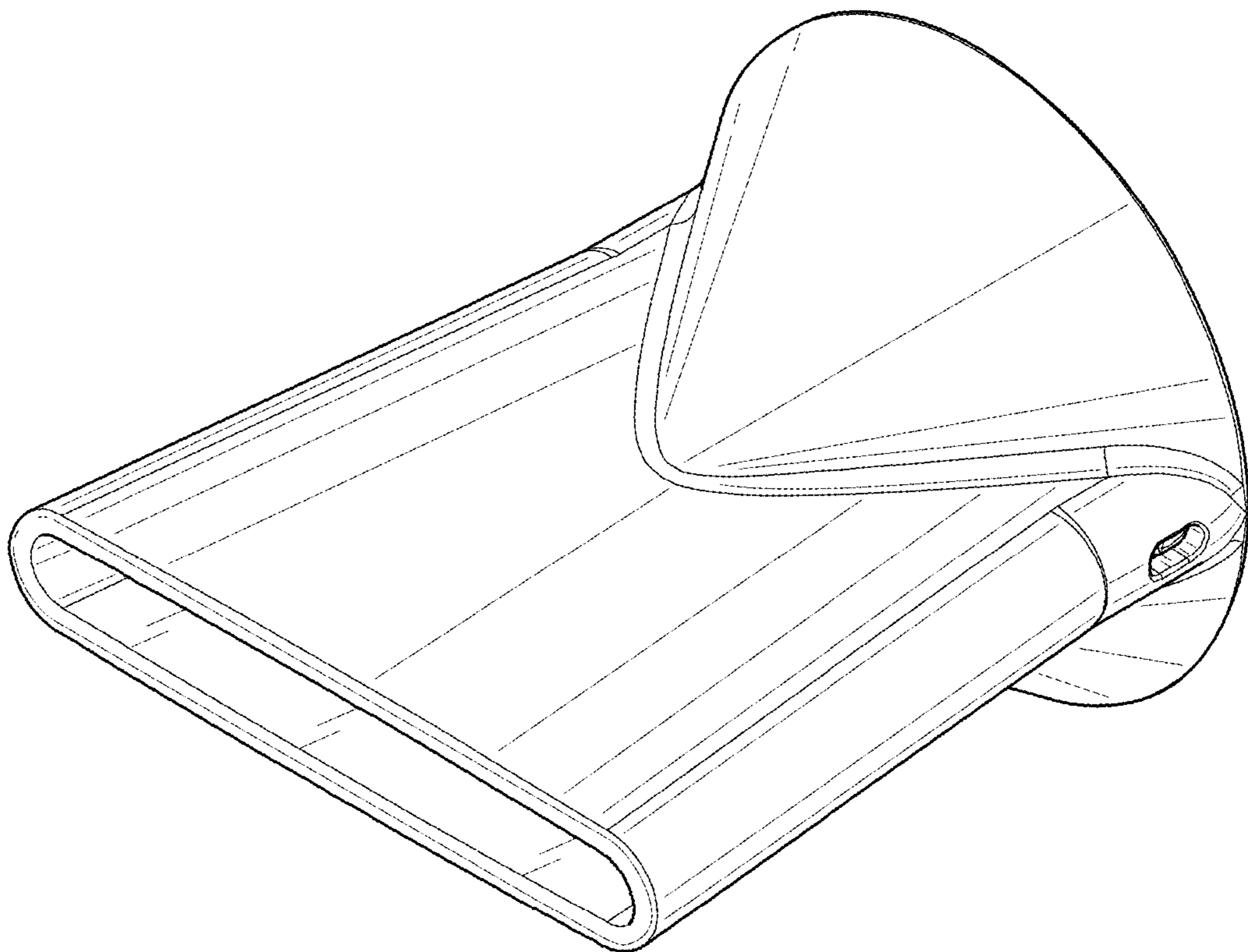


FIG. 1

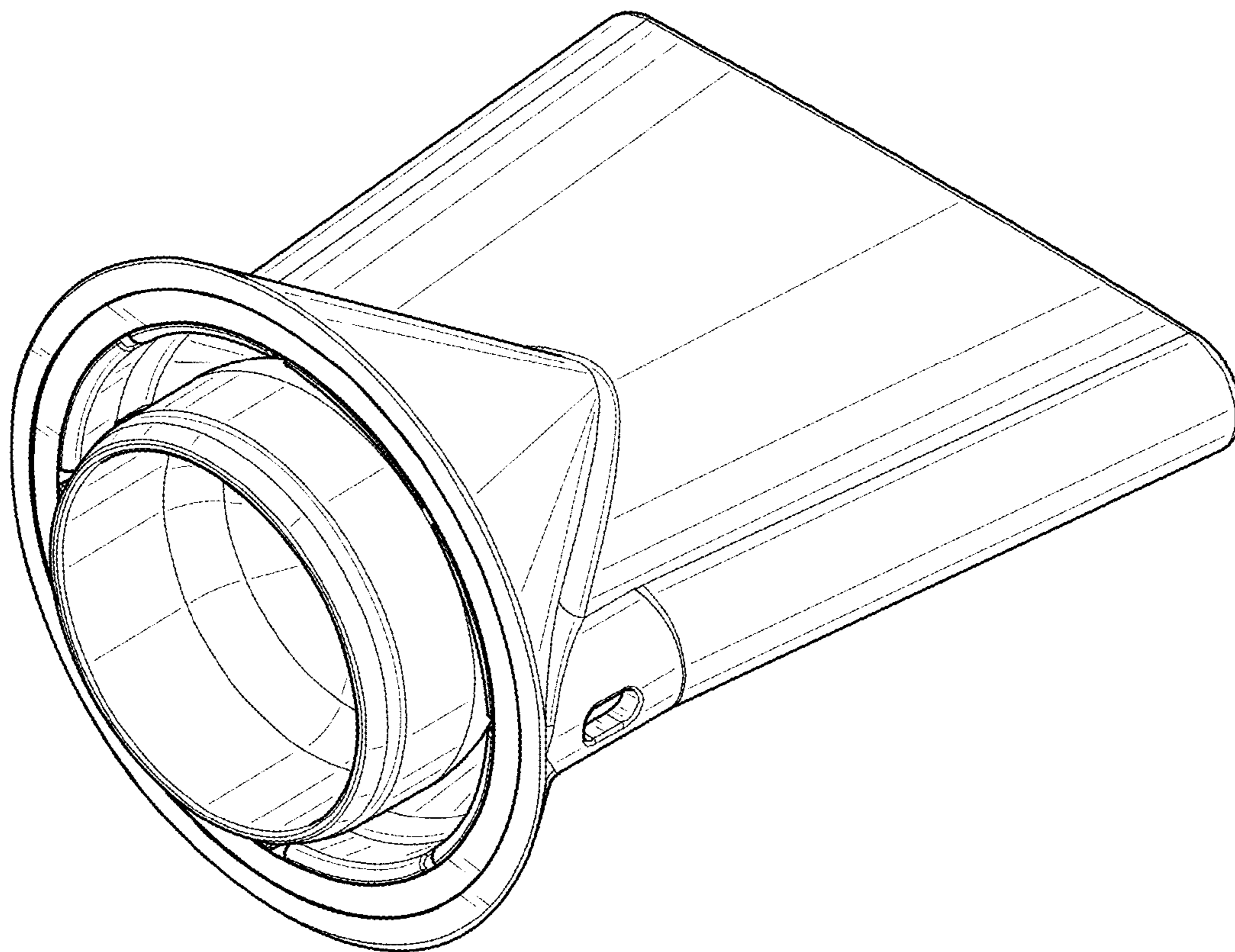


FIG. 2

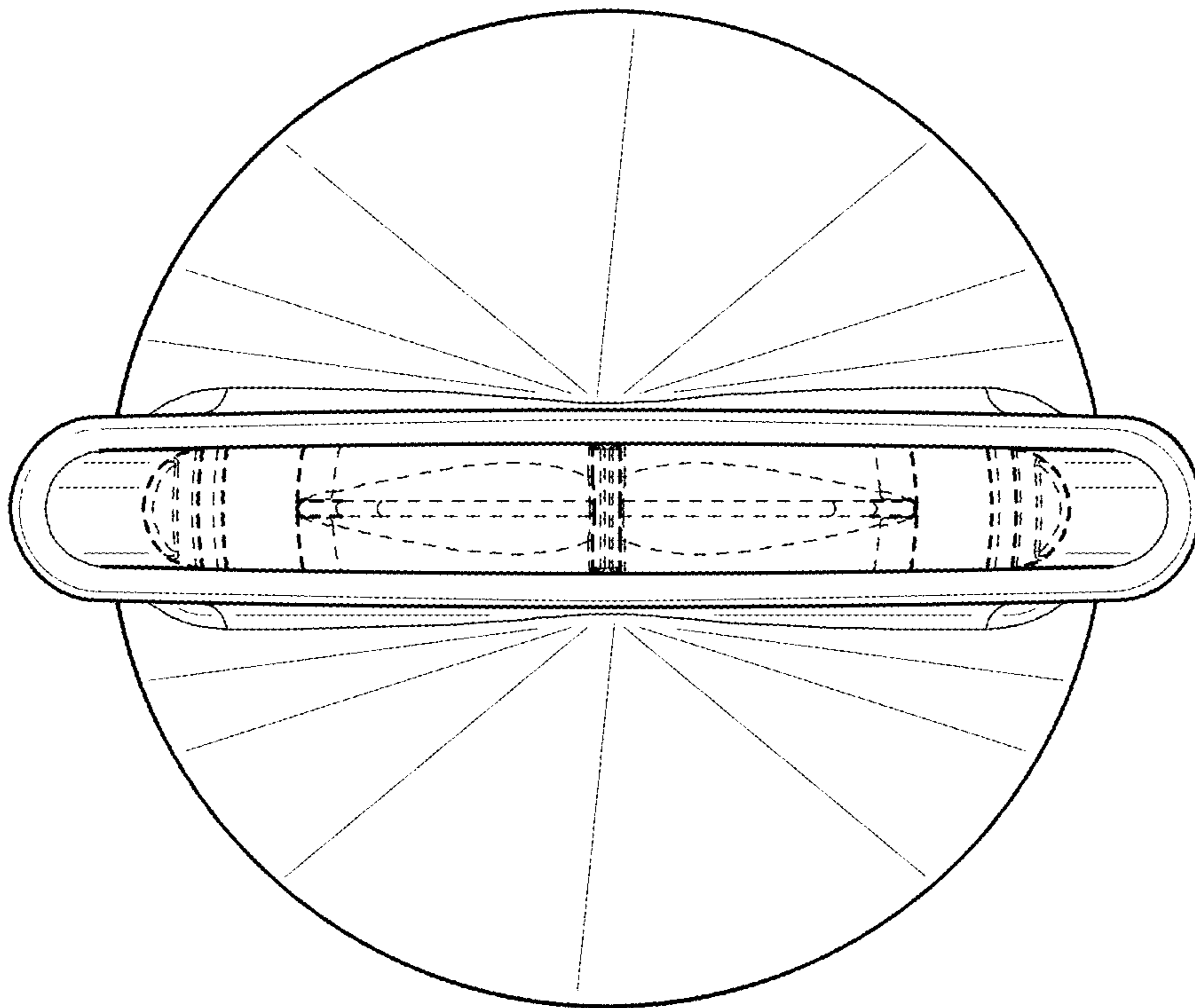


FIG. 3

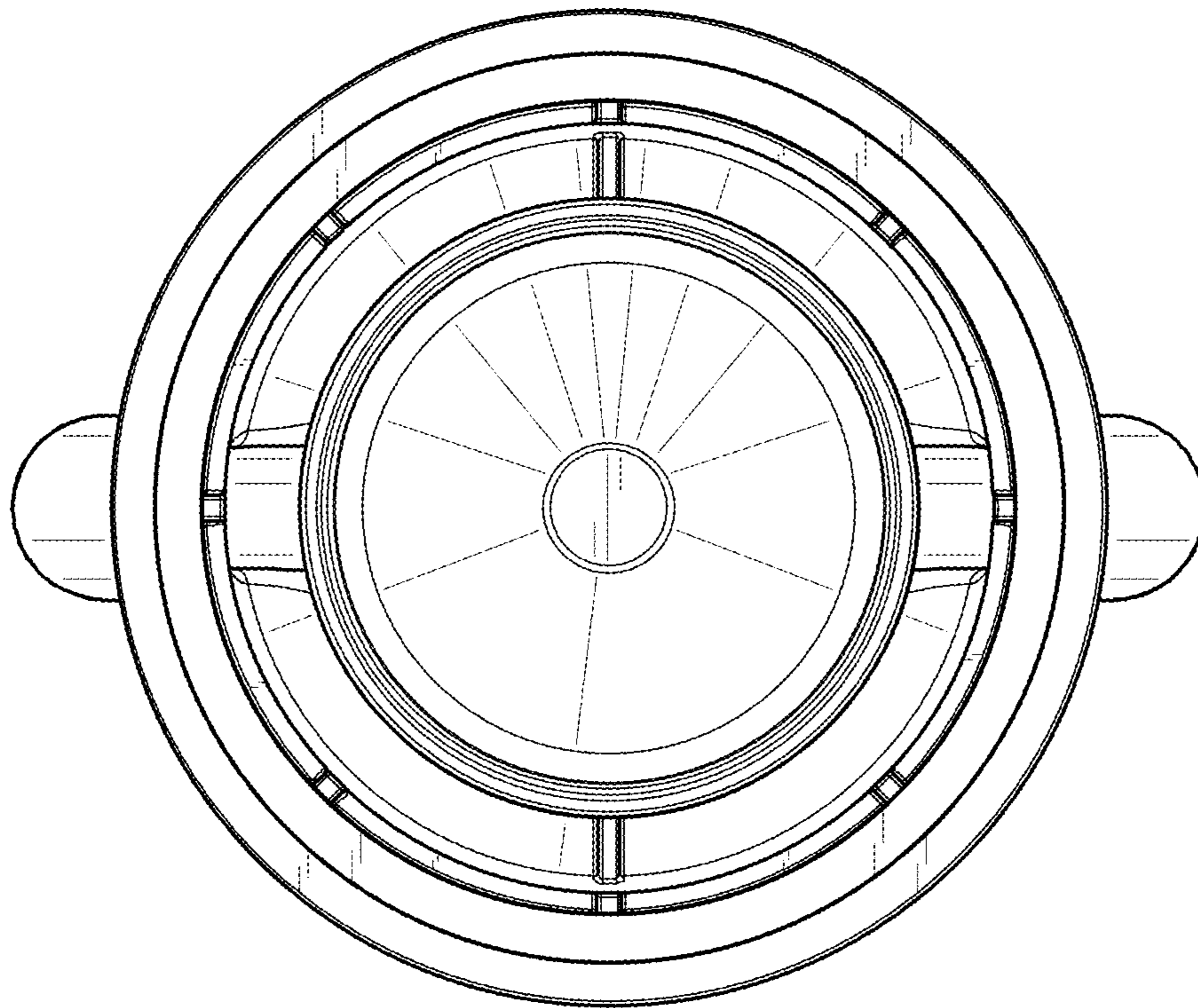


FIG. 4

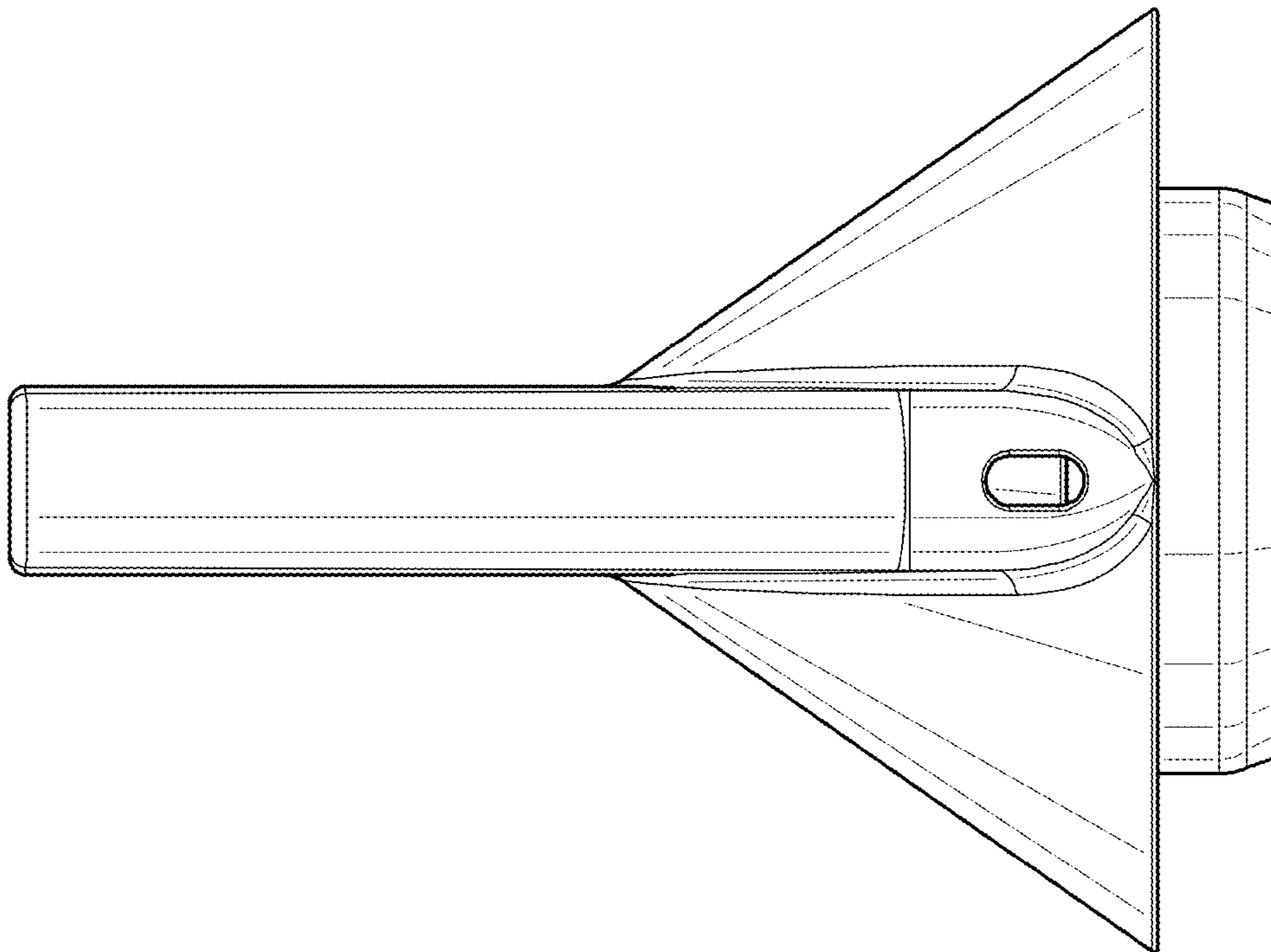


FIG. 5

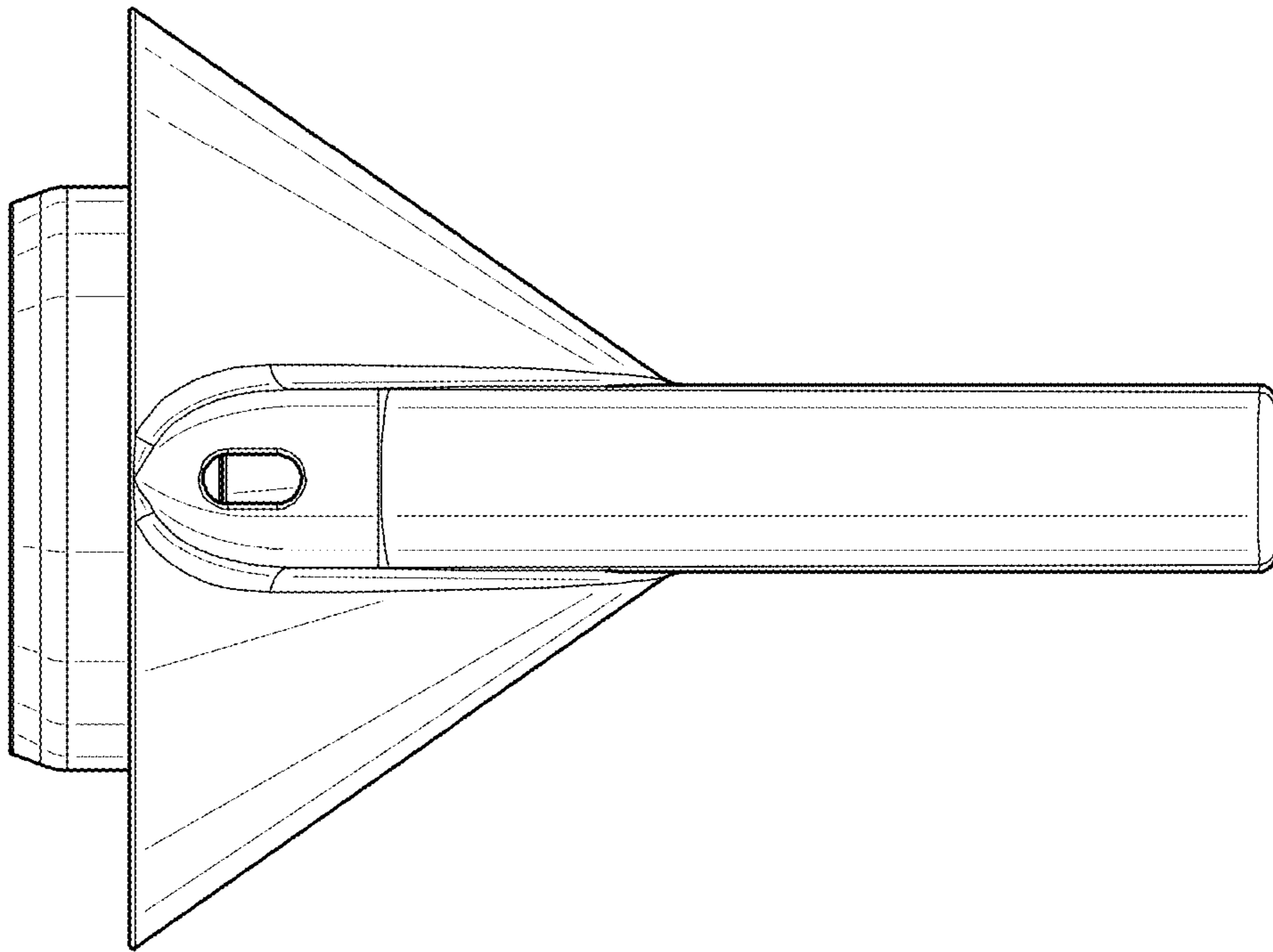


FIG. 6

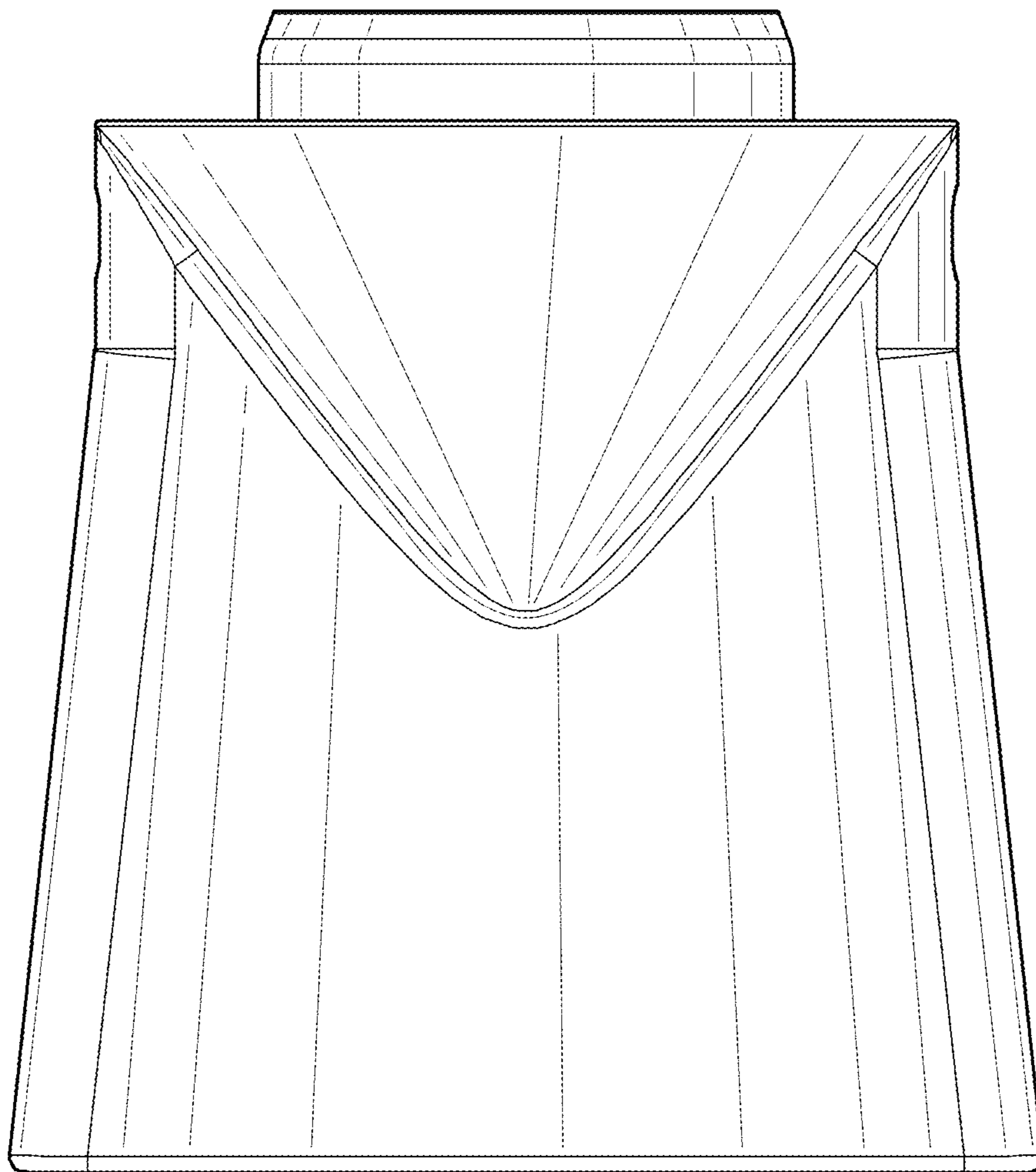


FIG. 7