



US00D775414S

(12) **United States Design Patent** (10) **Patent No.:** **US D775,414 S**  
**Ampolini et al.** (45) **Date of Patent:** **\*\* Dec. 27, 2016**

(54) **CHARGE AND CARRY CASE**

FOREIGN PATENT DOCUMENTS

(71) Applicant: **R.J. Reynolds Tobacco Company**,  
Winston-Salem, NC (US)

WO WO 2013/174002 11/2013  
WO WO 2014/117382 8/2014

(Continued)

(72) Inventors: **Frederic Philippe Ampolini**,  
Winston-Salem, NC (US); **James William Rogers**,  
Winston-Salem, NC (US); **Bruce Alan Bengtsson**,  
Winston-Salem, NC (US); **James Demopoulos**,  
Winston-Salem, NC (US); **Michael Laut**,  
Raleigh, NC (US); **Steven Bockmann**,  
Raleigh, NC (US)

*Primary Examiner* — Susan Bennett Hattan

*Assistant Examiner* — Janice Hallmark

(74) *Attorney, Agent, or Firm* — Womble Carlyle  
Sandridge & Rice, LLP

(57) **CLAIM**

The ornamental design for a charge and carry case, shown  
and described.

(73) Assignee: **RAI Strategic Holdings, Inc.**,  
Winston-Salem, NC (US)

**DESCRIPTION**

(\*\*) Term: **14 Years**

(21) Appl. No.: **29/518,024**

(22) Filed: **Feb. 19, 2015**

(51) **LOC (10) Cl.** ..... **27-06**

(52) **U.S. Cl.**  
USPC ..... **D27/186; D13/108**

(58) **Field of Classification Search**  
USPC ..... D27/129, 141, 144, 152, 153, 157, 160,  
D27/172, 174, 175, 183, 186, 187,  
D27/189–191, 193, 194, 184, 101,  
D27/163–169; D9/420, 423, 504, 529,  
D9/545, 686, 688, 524, 737, 741, 746;  
D13/108, 100–199; 206/242, 249,  
206/250, 256, 259, 261, 264, 265, 267,  
206/268; D3/273, 294; 131/270–273,  
131/329–330, 347; D7/513, 541

(Continued)

FIG. 1 is a top perspective view of the charge and carry case;  
FIG. 2 is a further top perspective view of the charge and  
carry case;  
FIG. 3 is a tilted top perspective view of the charge and carry  
case;  
FIG. 4 is a plan view showing a first face of the charge and  
carry case;  
FIG. 5 is a plan view showing the opposing face of the  
charge and carry case;  
FIG. 6 is a plan view showing a first side of the charge and  
carry case;  
FIG. 7 is a plan view showing the opposing side of the  
charge and carry case;  
FIG. 8 is a plan view showing the top end of the charge and  
carry case;  
FIG. 9 is a plan view showing the bottom end of the charge  
and carry case;  
FIG. 10 is a bottom perspective view of the charge and carry  
case;  
FIG. 11 is a reverse bottom perspective view of the charge  
and carry case;  
FIG. 12 is a bottom perspective view of the open charge and  
carry case;  
FIG. 13 is a bottom perspective view of the open charge and  
carry case rotated relative to FIG. 12;  
FIG. 14 is a tilted bottom perspective view of the open  
charge and carry case;

(Continued)

(56) **References Cited**

U.S. PATENT DOCUMENTS

4,214,658 A \* 7/1980 Crow ..... A24F 23/04  
206/236

D368,552 S \* 4/1996 Adams ..... D27/194

(Continued)

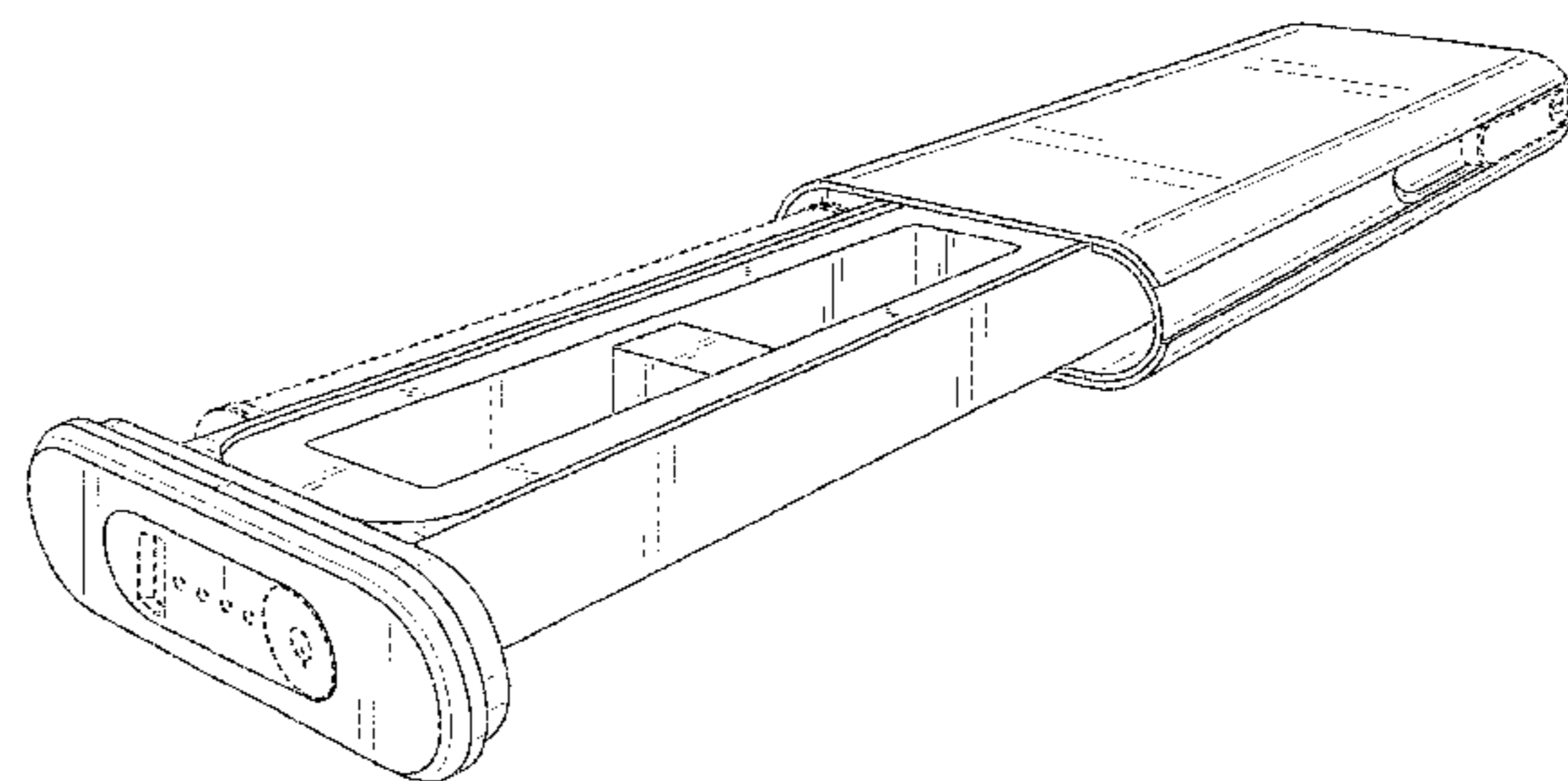
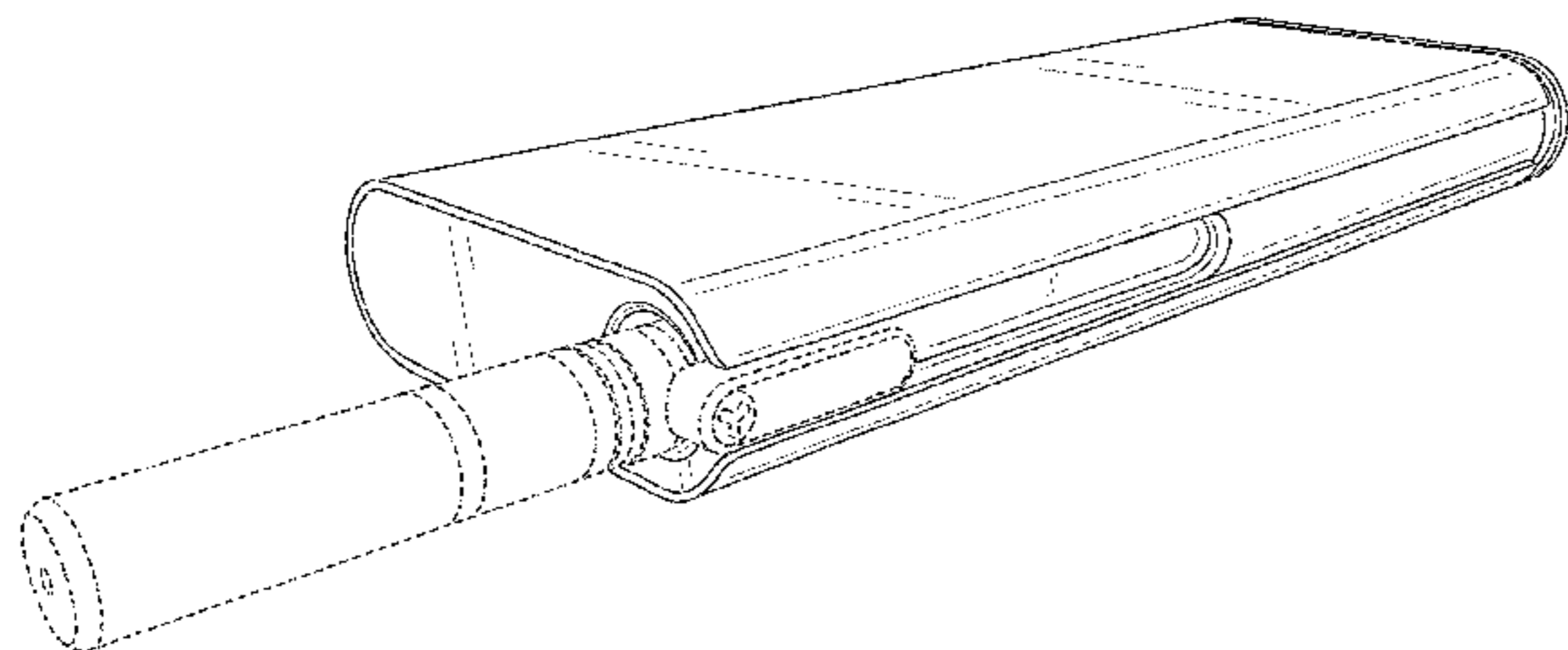


FIG. 15 is a bottom perspective view of the open charge and carry case rotated relative to FIG. 14;  
 FIG. 16 is a plan view showing the first face of the open charge and carry case;  
 FIG. 17 is a plan view showing the opposing face of the open charge and carry case;  
 FIG. 18 is a plan view showing the first side of the open charge and carry case;  
 FIG. 19 is a plan view showing the opposing side of the open charge and carry case;  
 FIG. 20 is a further bottom perspective view of the open charge and carry case; and,  
 FIG. 21 is a bottom perspective view of the open charge and carry case rotated relative to FIG. 20.  
 The broken lines shown herein depict environmental subject matter only and form no part of the claimed design.

**1 Claim, 21 Drawing Sheets**

(58) **Field of Classification Search**

CPC ..... A24F 13/14; A24F 9/16; A24F 15/00;  
 A24F 15/12; A24F 15/18; A24F  
 15/20; A24F 47/002; A24F 15/14; A24F  
 15/005; A24F 23/00; A24F 23/04; B65D  
 85/10; B65D 85/1054; B65D  
 85/1036; B65D 85/1045

See application file for complete search history.

(56) **References Cited**

U.S. PATENT DOCUMENTS

5,934,289 A \* 8/1999 Watkins ..... A24F 47/008  
 128/202.21  
 D422,113 S \* 3/2000 Higgins ..... D27/186  
 D433,532 S \* 11/2000 Higgins ..... D27/186  
 6,615,840 B1 \* 9/2003 Fournier ..... A24F 47/008  
 131/194  
 D547,440 S \* 7/2007 Louet-Feisser ..... D24/110  
 D577,150 S \* 9/2008 Bryman ..... D27/163  
 7,905,236 B2 \* 3/2011 Bryman ..... A24F 3/00  
 131/184.2  
 D649,708 S \* 11/2011 Oneil ..... D27/163  
 D677,000 S 2/2013 Liu  
 D677,001 S 2/2013 Liu  
 D681,268 S 4/2013 Wu  
 D681,269 S 4/2013 Wu  
 D683,898 S 6/2013 Liu  
 D683,899 S \* 6/2013 Liu ..... D13/108  
 D688,416 S 8/2013 Liu  
 D692,615 S 10/2013 Verleur  
 D693,054 S 11/2013 Verleur  
 D693,055 S 11/2013 Manca et al.  
 D700,397 S 2/2014 Manca et al.  
 D700,738 S 3/2014 Rennick et al.  
 D700,739 S 3/2014 Manca et al.  
 D700,994 S 3/2014 Alarcon et al.

D706,976 S 6/2014 Wu  
 D712,090 S 8/2014 Liu  
 D715,051 S 10/2014 Tung et al.  
 D718,493 S 11/2014 Stern  
 D723,734 S 3/2015 Liu  
 D723,735 S 3/2015 Liu  
 D723,736 S 3/2015 Liu  
 D723,737 S 3/2015 Liu  
 D723,738 S 3/2015 Liu  
 D729,444 S \* 5/2015 Leidel ..... D27/163  
 D743,099 S \* 11/2015 Oglesby ..... D27/101  
 D749,510 S \* 2/2016 Liu ..... D13/108  
 D753,336 S \* 4/2016 Chen ..... D27/101  
 D758,656 S \* 6/2016 Freshwater ..... D27/163  
 D760,431 S \* 6/2016 Liu ..... D27/189  
 2012/0255546 A1 \* 10/2012 Goetz ..... A61M 11/041  
 128/202.21  
 2013/0146489 A1 6/2013 Scatterday  
 2013/0341218 A1 12/2013 Liu  
 2013/0342157 A1 12/2013 Liu  
 2014/0020697 A1 1/2014 Liu  
 2014/0053858 A1 2/2014 Liu  
 2014/0083443 A1 3/2014 Liu  
 2014/0246034 A1 9/2014 Terry et al.  
 2014/0246035 A1 9/2014 Minskoff et al.  
 2014/0286002 A1 9/2014 Liu  
 2014/0291179 A1 10/2014 Xiang  
 2014/0299492 A1 10/2014 Liu  
 2014/0305820 A1 10/2014 Xiang  
 2014/0354231 A1 12/2014 Xiang  
 2015/0002076 A1 1/2015 Xiang  
 2015/0008149 A1 1/2015 Liu  
 2015/0008150 A1 1/2015 Liu  
 2015/0034507 A1 2/2015 Liu  
 2015/0041482 A1 2/2015 Liu  
 2016/0050975 A1 \* 2/2016 Worm ..... A24F 47/008  
 131/328

FOREIGN PATENT DOCUMENTS

WO WO 2014/139224 9/2014  
 WO WO 2014/161130 10/2014  
 WO WO 2014/166031 10/2014  
 WO WO 2014/166033 10/2014  
 WO WO 2014/169412 10/2014  
 WO WO 2014/169423 10/2014  
 WO WO 2014/172845 10/2014  
 WO WO 2014/172906 10/2014  
 WO WO 2014/185937 11/2014  
 WO WO 2014/190480 12/2014  
 WO WO 2014/190507 12/2014  
 WO WO 2014/201643 12/2014  
 WO WO 2014/205635 12/2014  
 WO WO 2015/000143 1/2015  
 WO WO 2015/000151 1/2015  
 WO WO 2015/003305 1/2015  
 WO WO 2015/003392 1/2015  
 WO WO 2015/003394 1/2015  
 WO WO 2015/006956 1/2015  
 WO WO 2015/013886 2/2015  
 WO WO 2015/013909 2/2015  
 WO WO 2015/018041 2/2015

\* cited by examiner



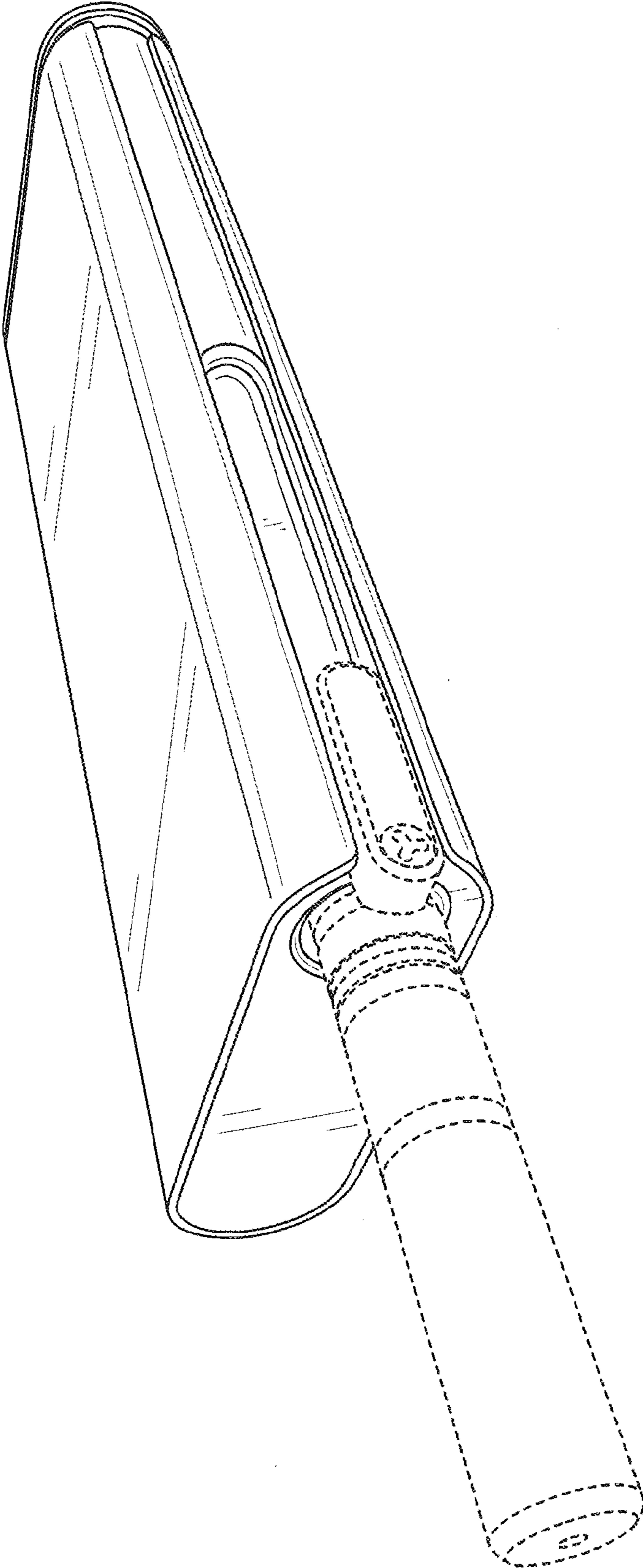


FIG. 1

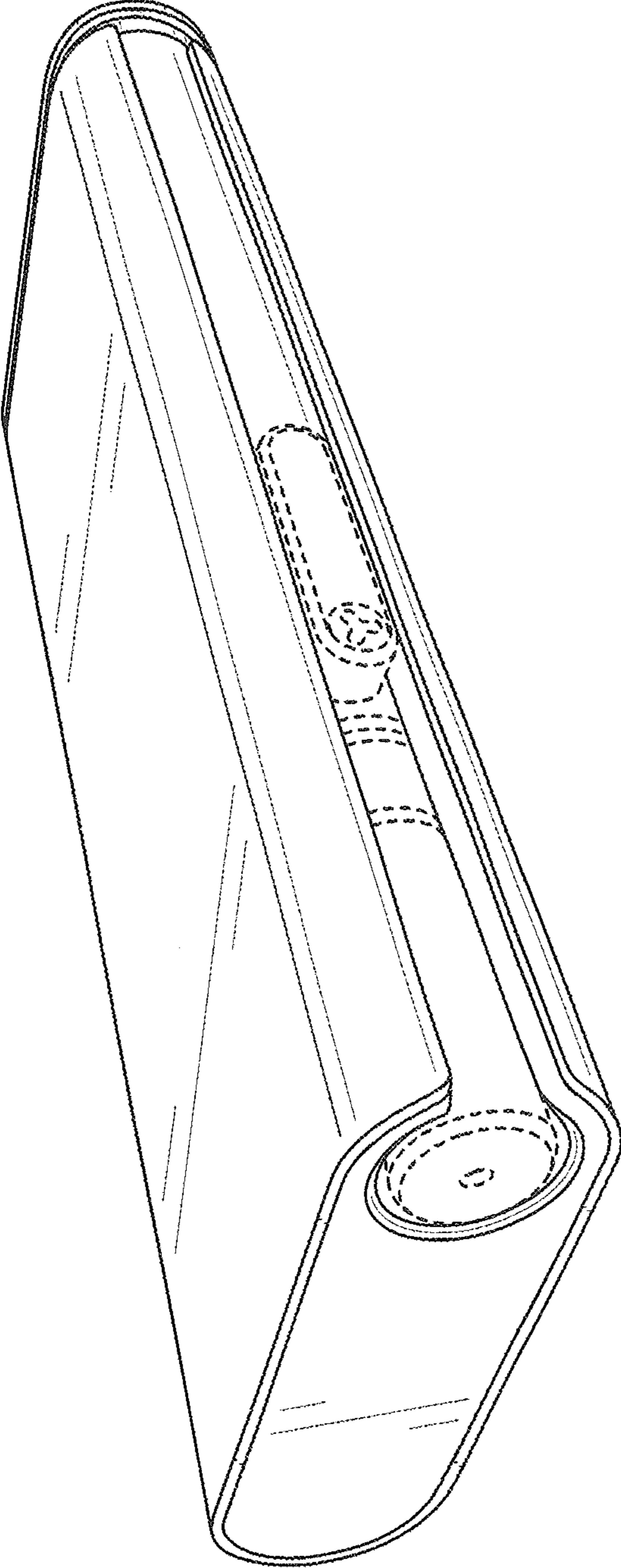


FIG. 2

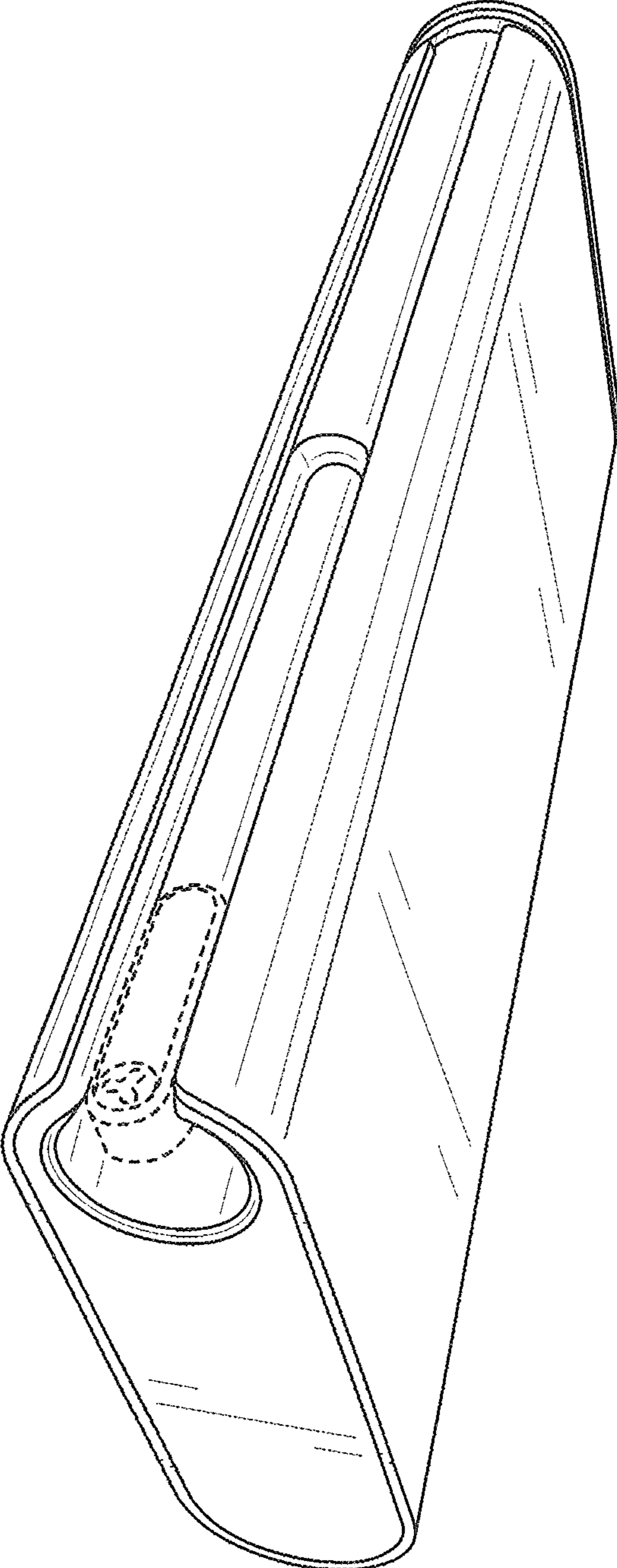


FIG. 3

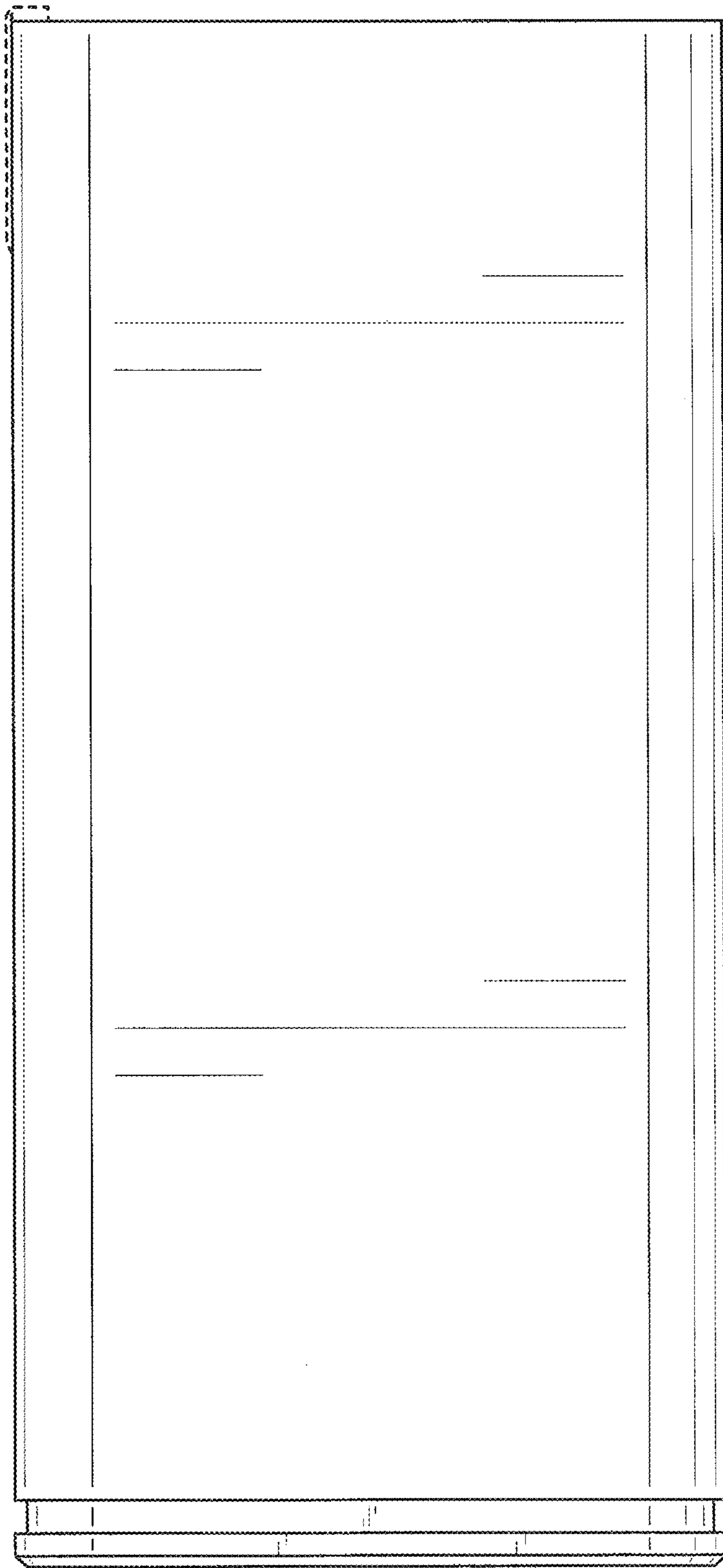


FIG. 4

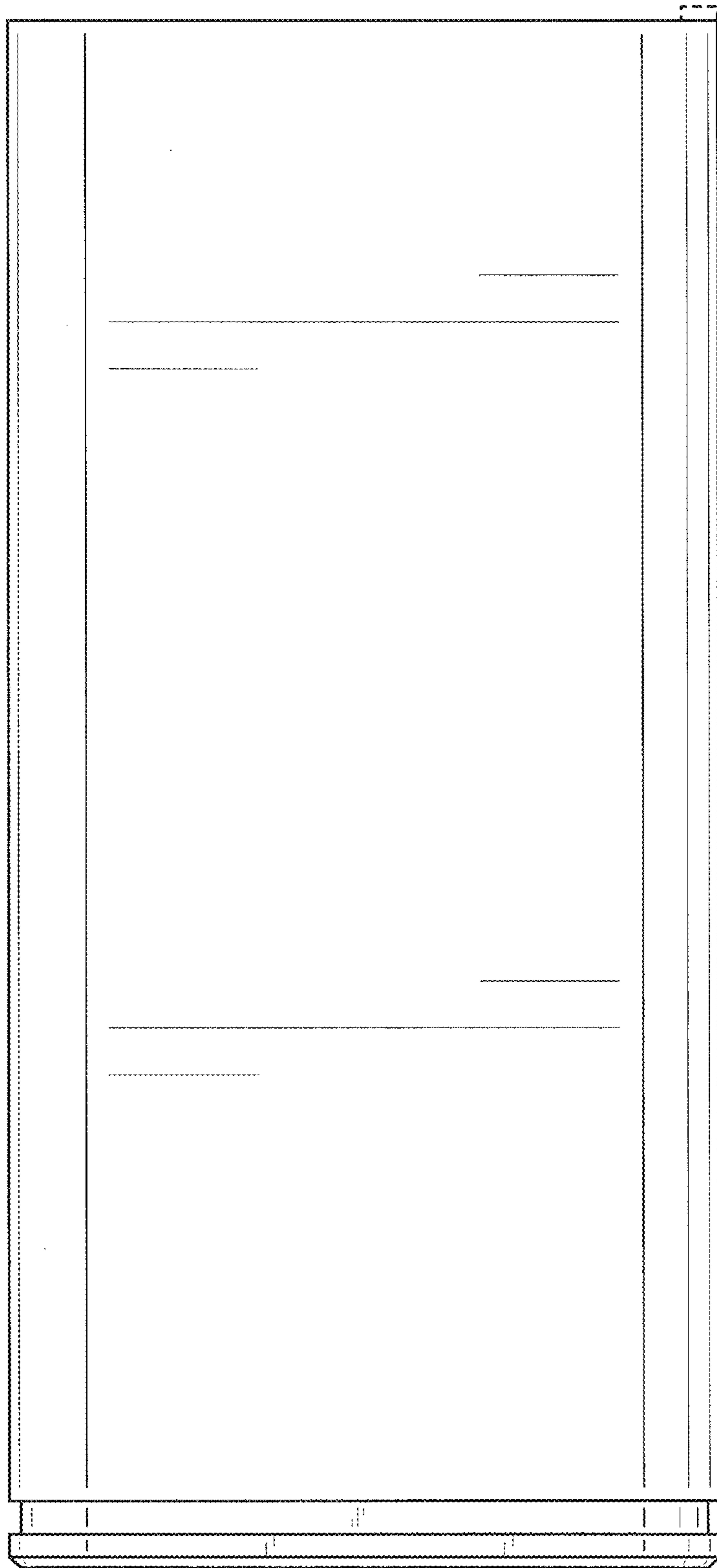


FIG. 5

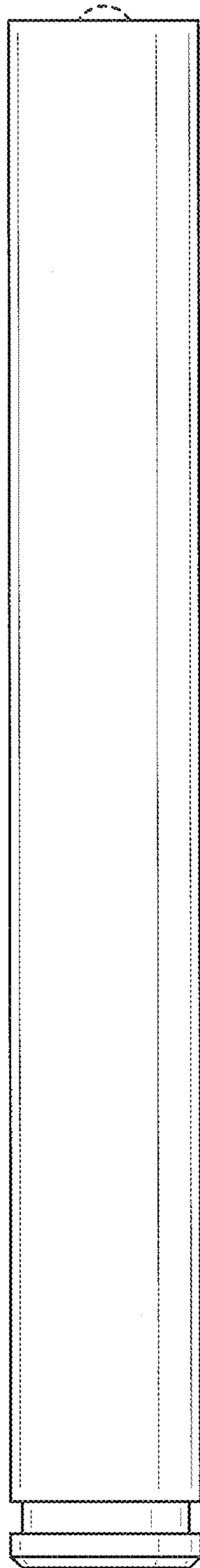


FIG. 6



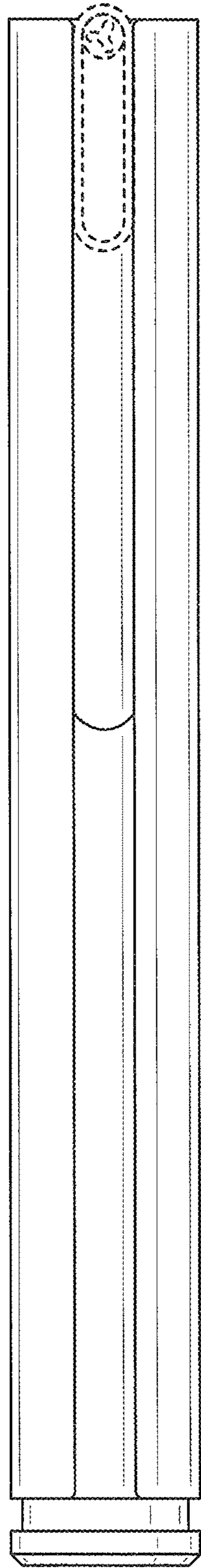


FIG. 7

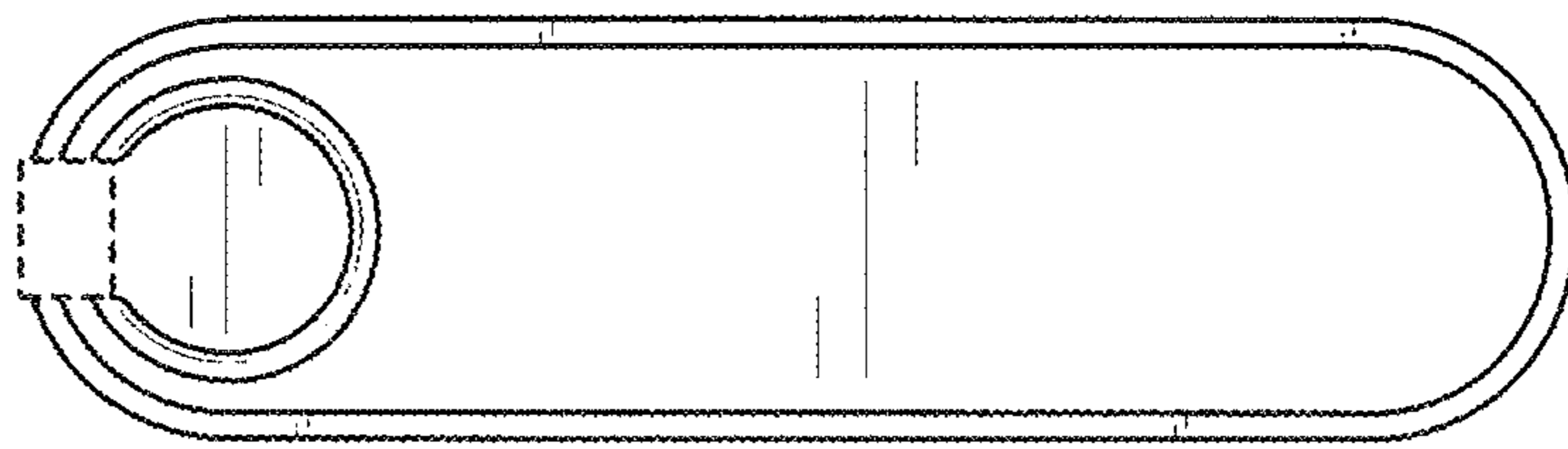


FIG. 8

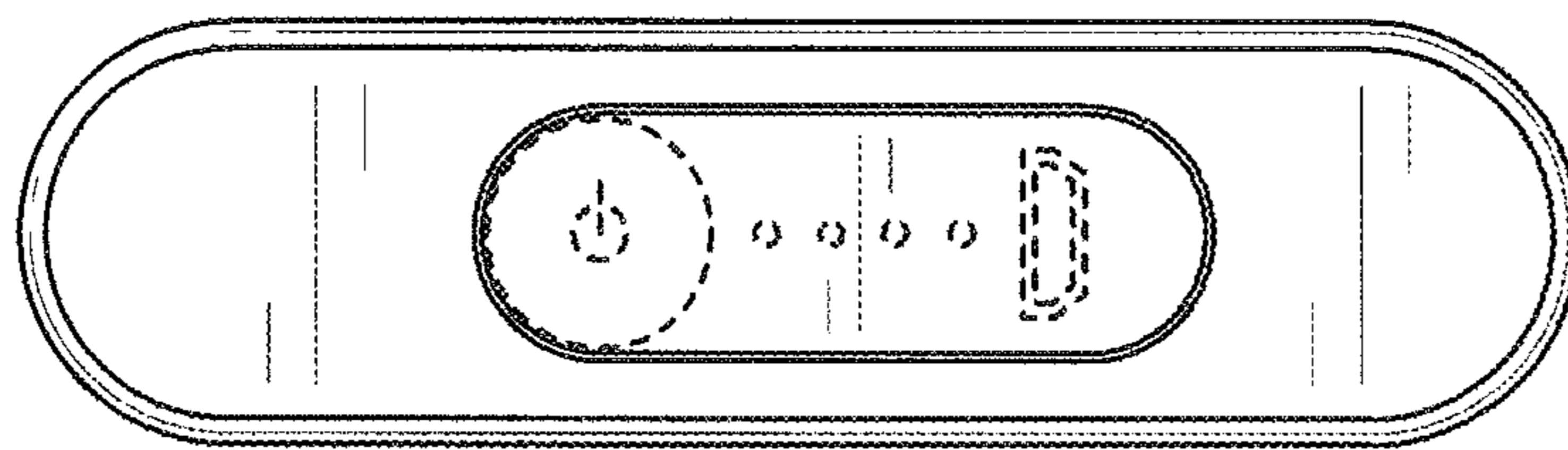


FIG. 9

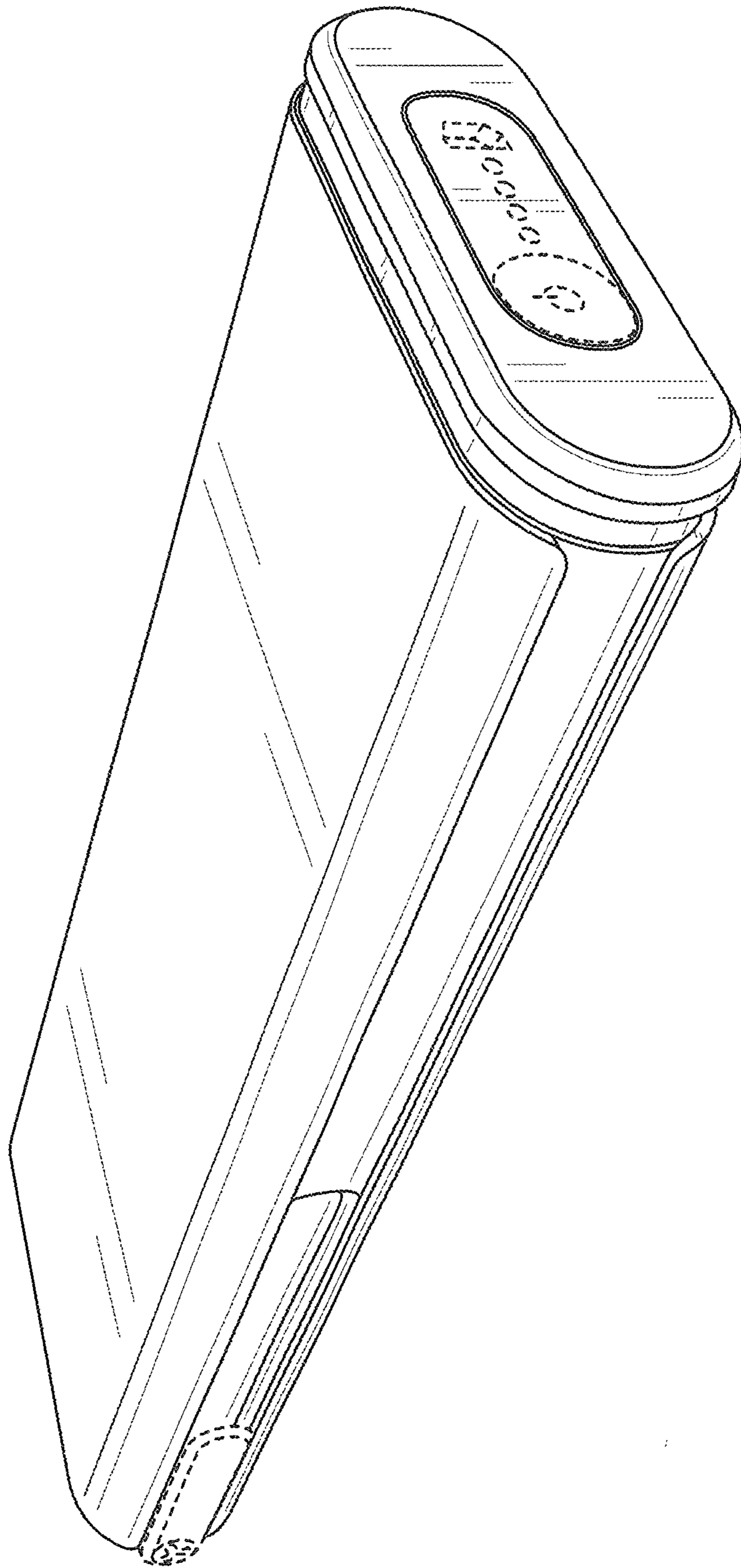


FIG. 10



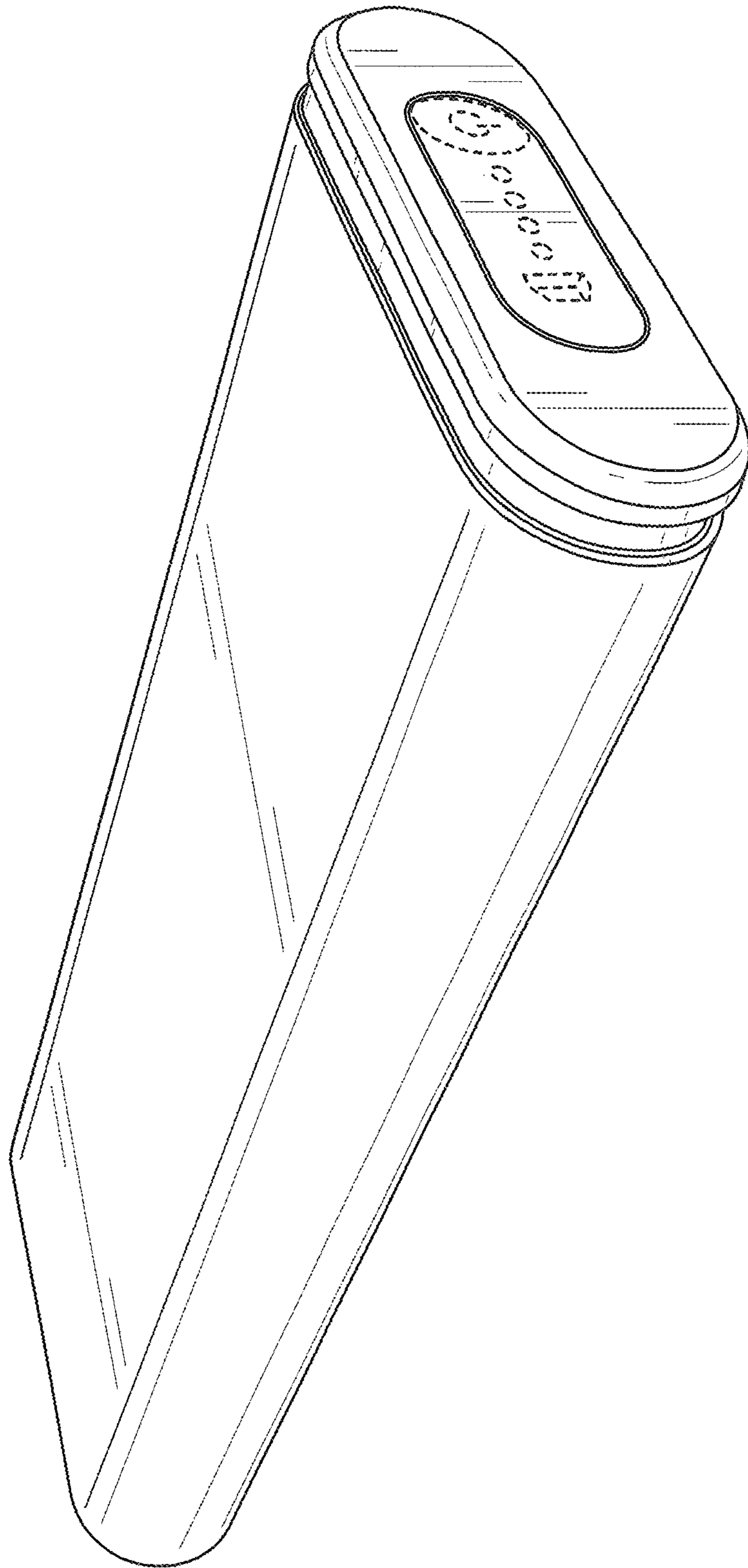


FIG. 11

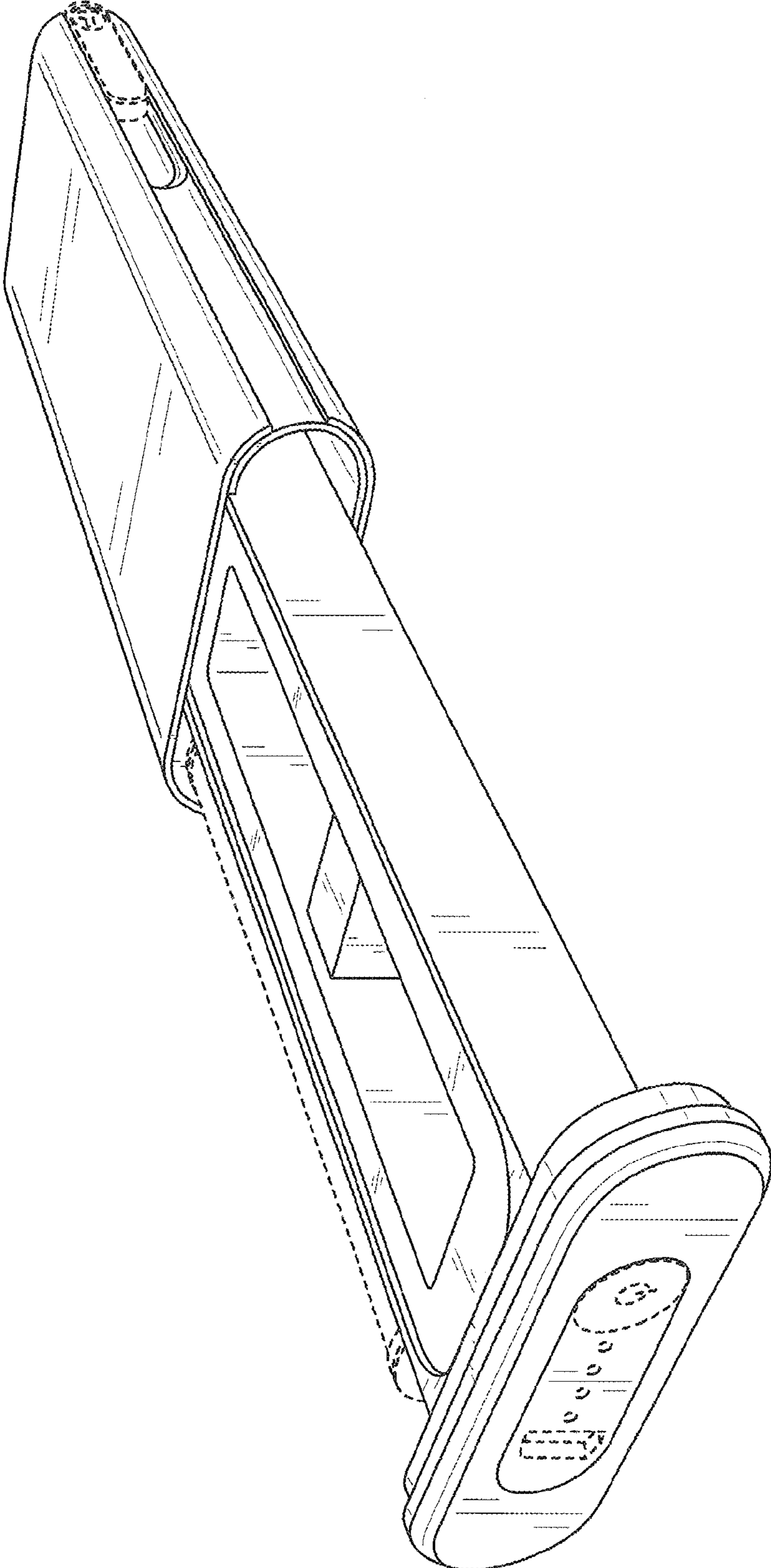


FIG. 12

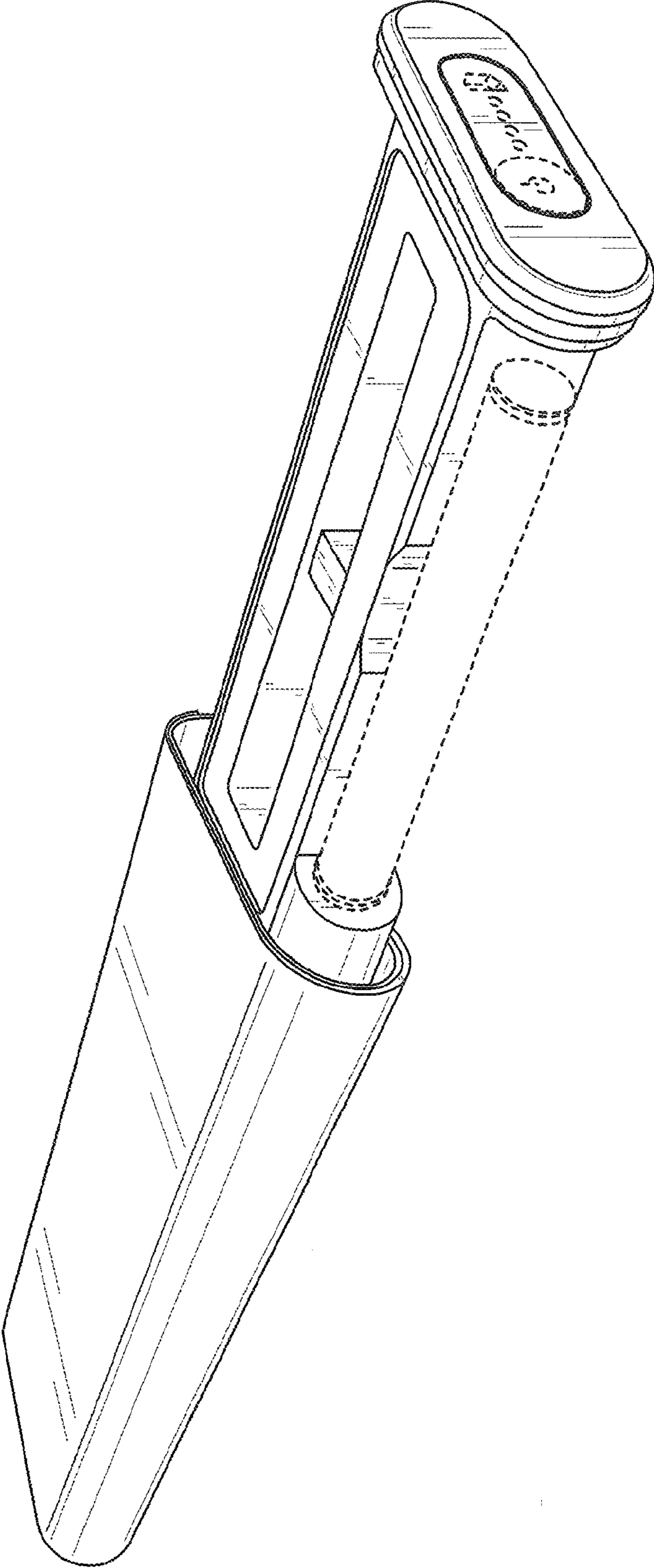


FIG. 13

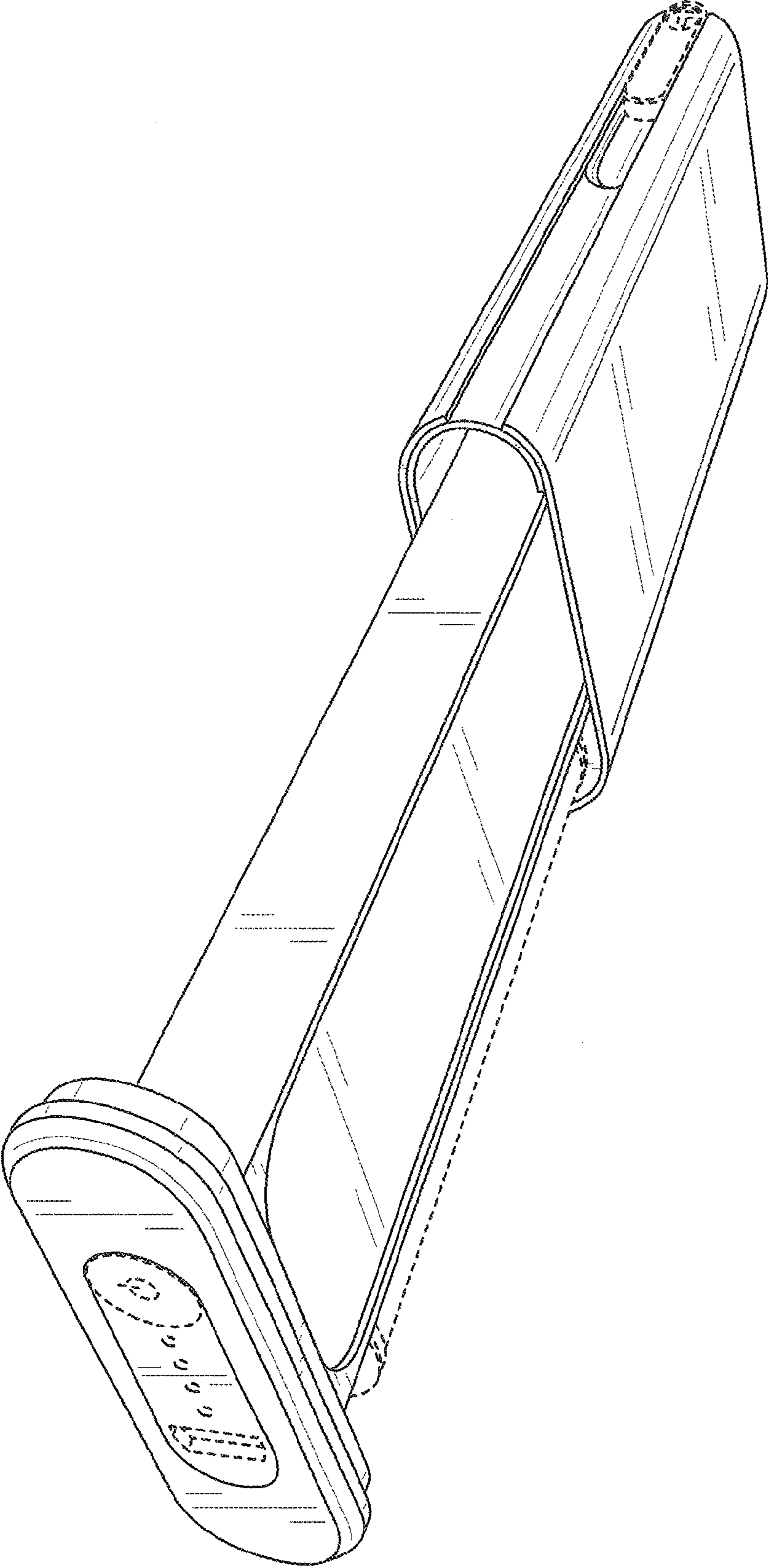


FIG. 14



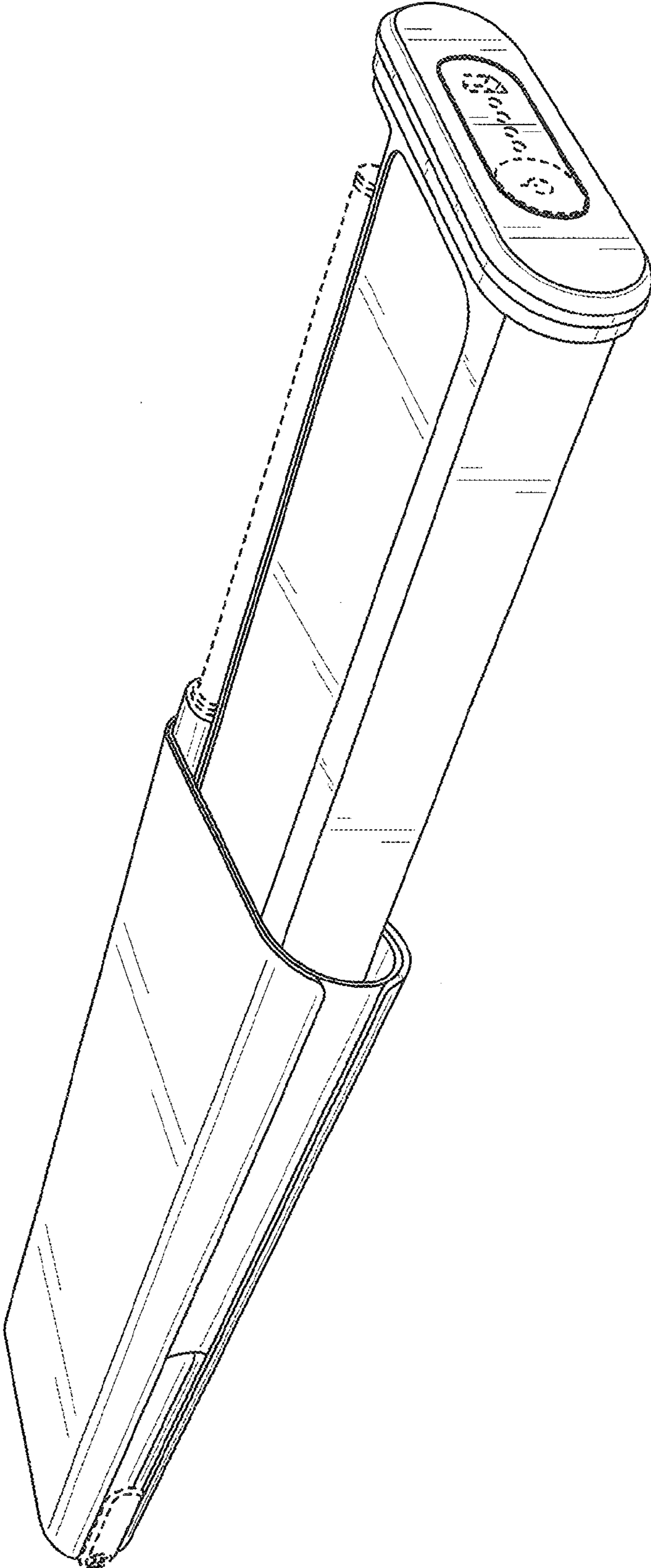


FIG. 15

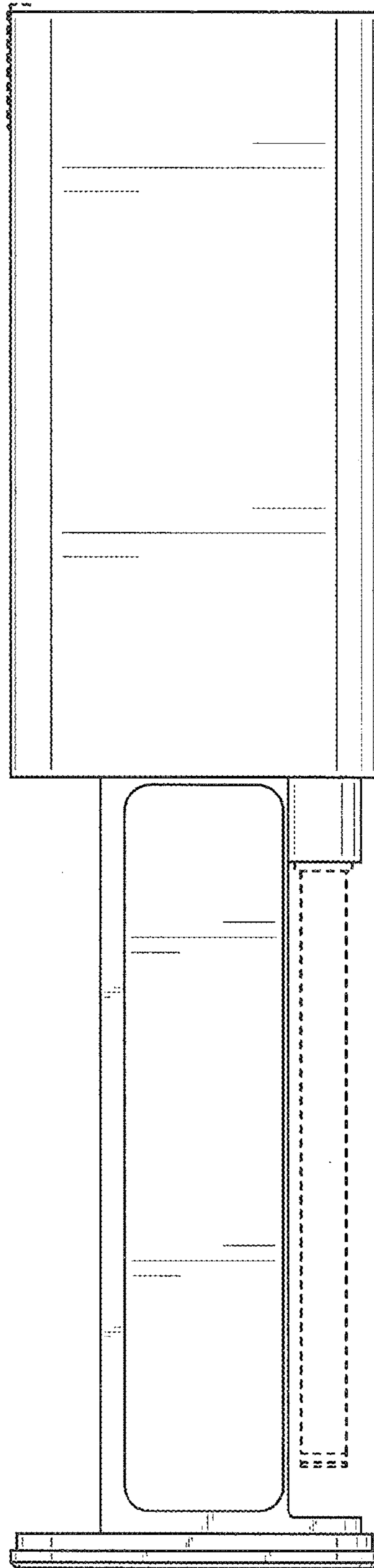


FIG. 16

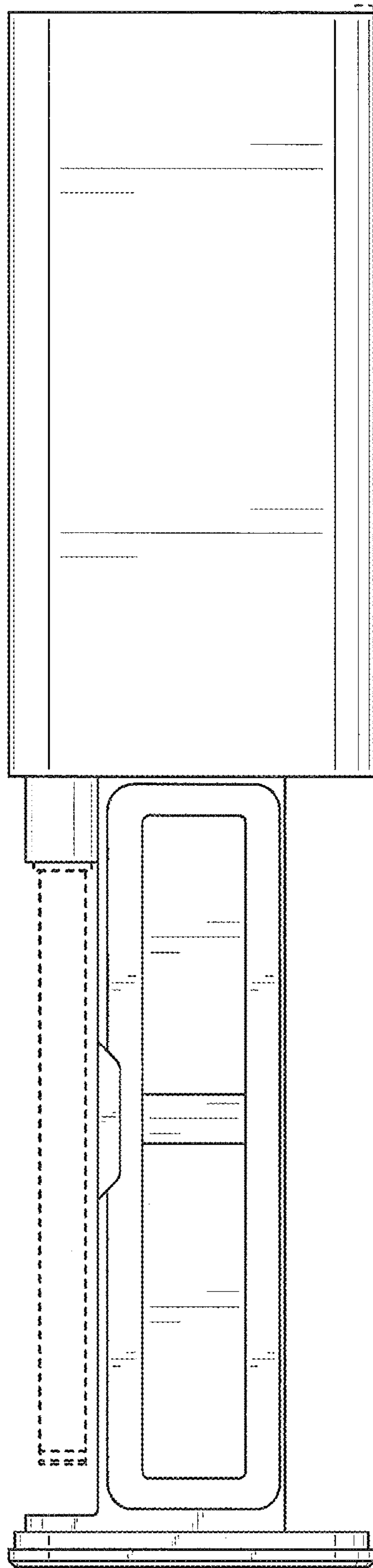


FIG. 17

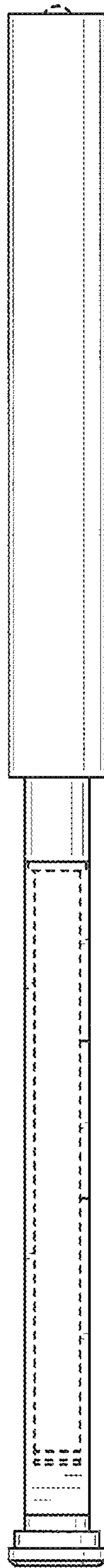


FIG. 18



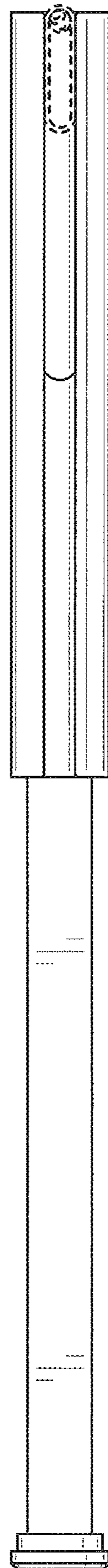


FIG. 19

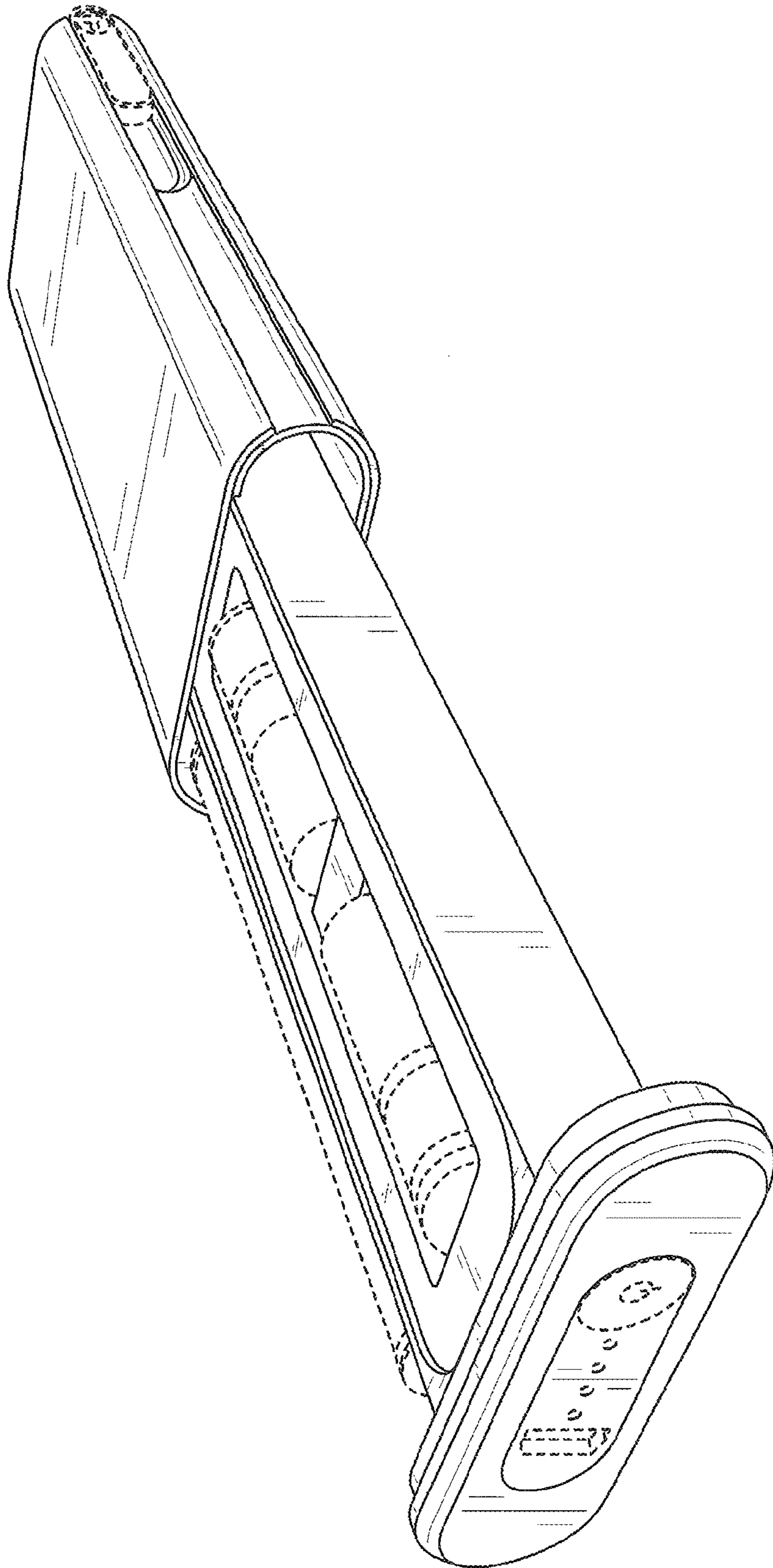


FIG. 20

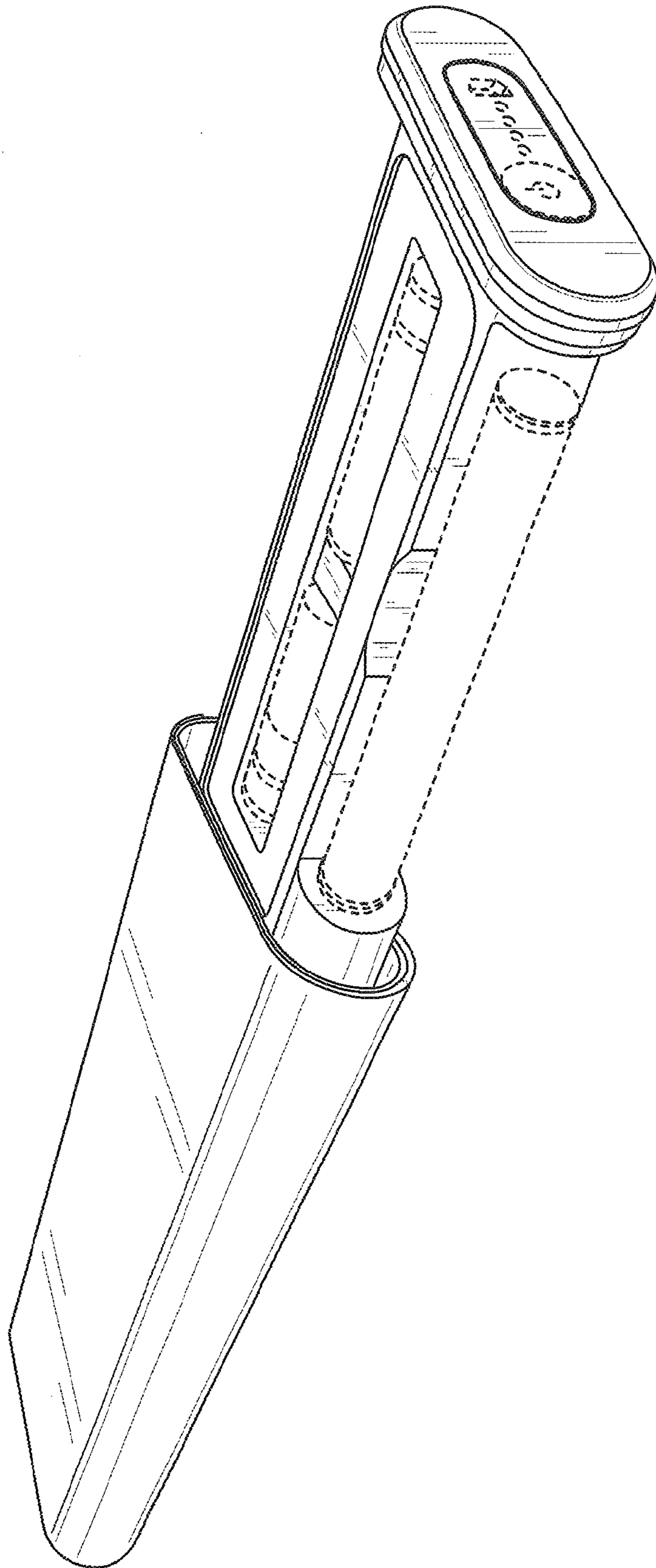


FIG. 21