



US00D775413S

(12) **United States Design Patent** (10) **Patent No.:** **US D775,413 S**
Liu (45) **Date of Patent:** **** Dec. 27, 2016**

(54) **ATOMIZER FOR ELECTRONIC CIGARETTE**

(71) Applicant: **HUIZHOU KIMREE TECHNOLOGY CO., LTD,**
Huizhou-Guangdong (CN)

(72) Inventor: **Qiuming Liu,** Guangdong (CN)

(73) Assignee: **HUIZHOU KIMREE TECHNOLOGY CO., LTD,** Huizhou,
Guangdong (CN)

(**) Term: **15 Years**

(21) Appl. No.: **29/532,676**

(22) Filed: **Jul. 9, 2015**

(30) **Foreign Application Priority Data**

Jan. 14, 2015 (CN) 2015 3 0011174

(51) **LOC (10) Cl.** **27-01**

(52) **U.S. Cl.**
USPC **D27/101**

(58) **Field of Classification Search**
USPC D27/100, 101, 162, 163-167, 169, 170,
D27/171, 193, 194; D23/202; D13/103
(Continued)

(56) **References Cited**

U.S. PATENT DOCUMENTS

D78,723 S * 6/1929 Baker 131/187
D123,936 S * 12/1940 Robertson 131/187
(Continued)

OTHER PUBLICATIONS

Kimree ECig Mods by Kimree dated 2003-2014. [found online Aug. 10, 2016] <http://www.kimree.com/products/E-Cig-Mods/js311-s.html>.*

Primary Examiner — Robert M Spear

Assistant Examiner — Marissa J Cashke

(74) *Attorney, Agent, or Firm* — U.S. Fairisky LLP; Yue Xu

(57) **CLAIM**

The ornamental design for an atomizer for electronic cigarette, as shown and described.

DESCRIPTION

FIG. 1 is a front view of an atomizer for electronic cigarette according to a first design of the present application; FIG. 2 is a rear view of the atomizer for electronic cigarette according to the first design of the present application; FIG. 3 is a left view of the atomizer for electronic cigarette according to the first design of the present application; FIG. 4 is a right view of the atomizer for electronic cigarette according to the first design of the present application; FIG. 5 is a top view of the atomizer for electronic cigarette according to the first design of the present application; FIG. 6 is a bottom view of the atomizer for electronic cigarette according to the first design of the present application; FIG. 7 is a perspective view of the atomizer for electronic cigarette according to the first design of the present application; FIG. 8 is a reference view of the atomizer for electronic cigarette in using state according to the first design of the present application; FIG. 9 is an enlarged bottom view of the atomizer for electronic cigarette according to the first design of the present application; FIG. 10 is a front view of an electronic cigarette according to a second design of the present application; FIG. 11 is a rear view of the atomizer for electronic cigarette according to the second design of the present application; FIG. 12 is a left view of the atomizer for electronic cigarette according to the second design of the present application; FIG. 13 is a right view of the atomizer for electronic cigarette according to the second design of the present application; FIG. 14 is a top view of the atomizer for electronic cigarette according to the second design of the present application;

(Continued)

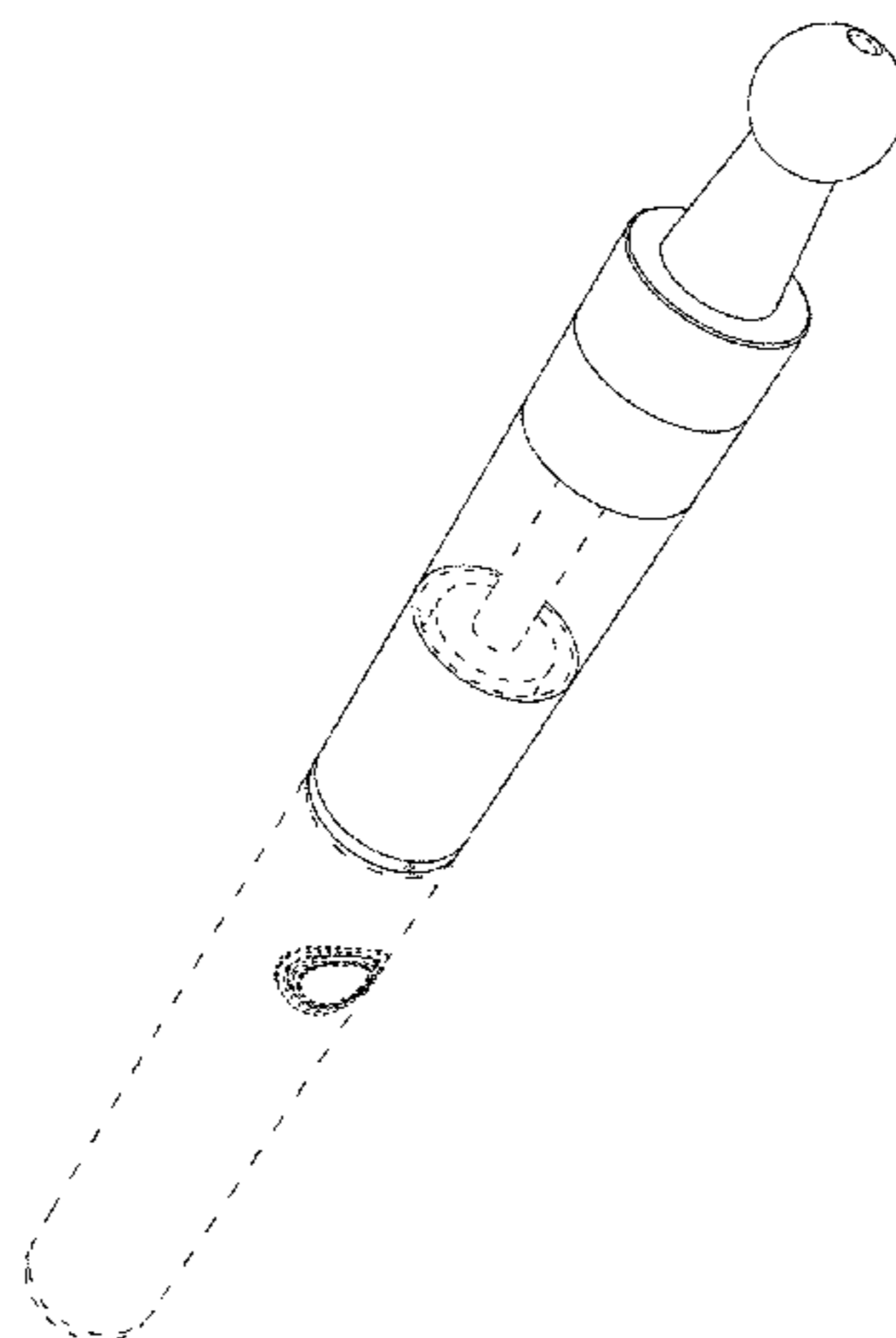


FIG. 15 is a bottom view of the atomizer for electronic cigarette according to the second design of the present application;

FIG. 16 is a perspective view of the atomizer for electronic cigarette according to the second design of the present application; and,

FIG. 17 is a reference view of the atomizer for electronic cigarette in using state according to the second design of the present application.

The broken lines in the drawings represent unclaimed environmental subject matter and form no part of the claim.

1 Claim, 17 Drawing Sheets

(58) Field of Classification Search

CPC A24F 47/008; A24F 47/002; A24F 15/12;
A24F 47/00

See application file for complete search history.

(56) References Cited

U.S. PATENT DOCUMENTS

D644,375	S	*	8/2011	Zhou	D27/101
D653,803	S	*	2/2012	Timmermans	D27/163
D694,468	S	*	11/2013	Chen	D27/101
D720,095	S	*	12/2014	Alima	D27/101
D732,239	S	*	6/2015	Chen	D27/101
D751,249	S	*	3/2016	Chen	D27/101
2014/0283825	A1	*	9/2014	Buchberger	A61M 11/041 128/202.21
2014/0290677	A1	*	10/2014	Liu	A61M 15/06 131/329

* cited by examiner

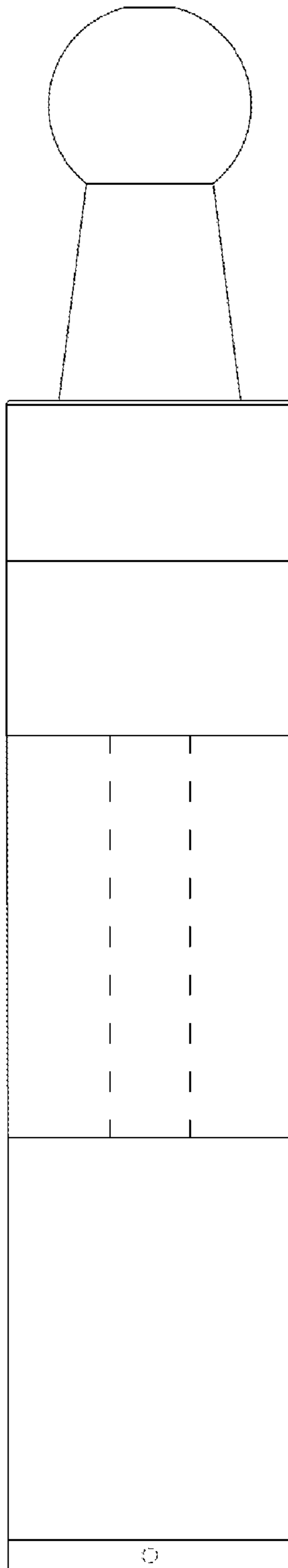


Figure 1

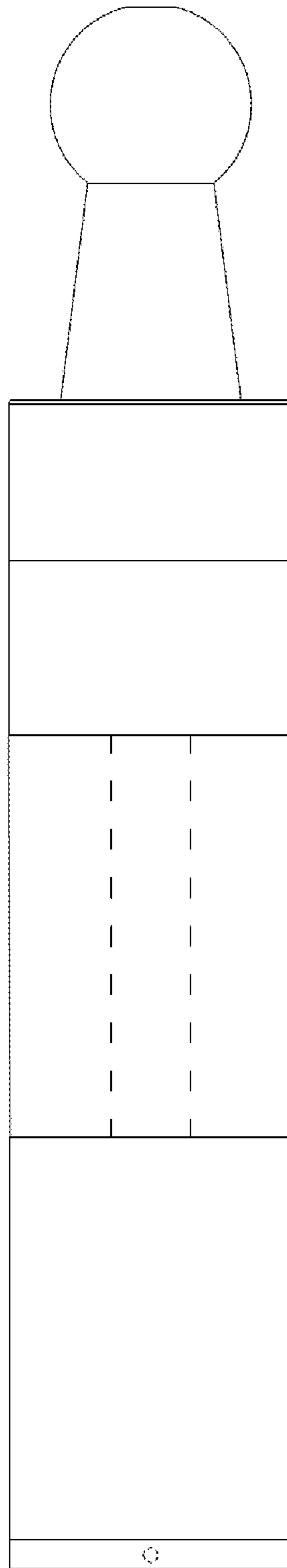


Figure 2

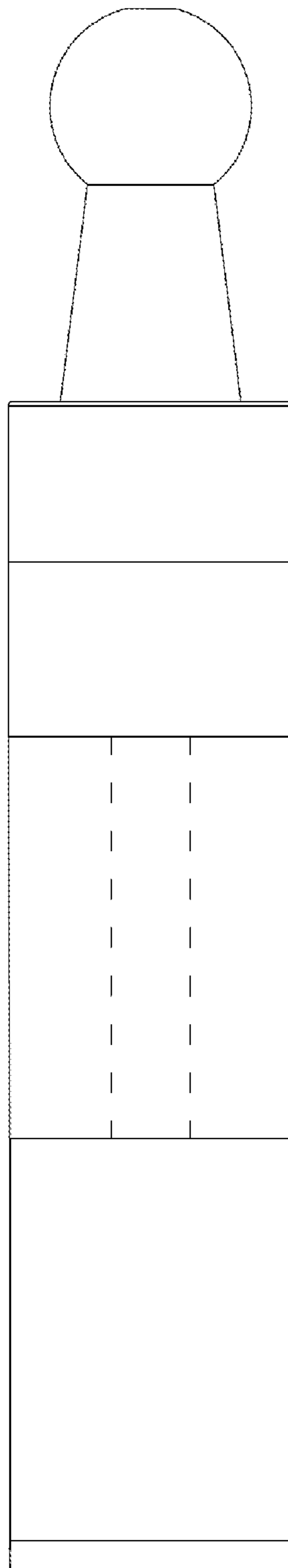


Figure 3

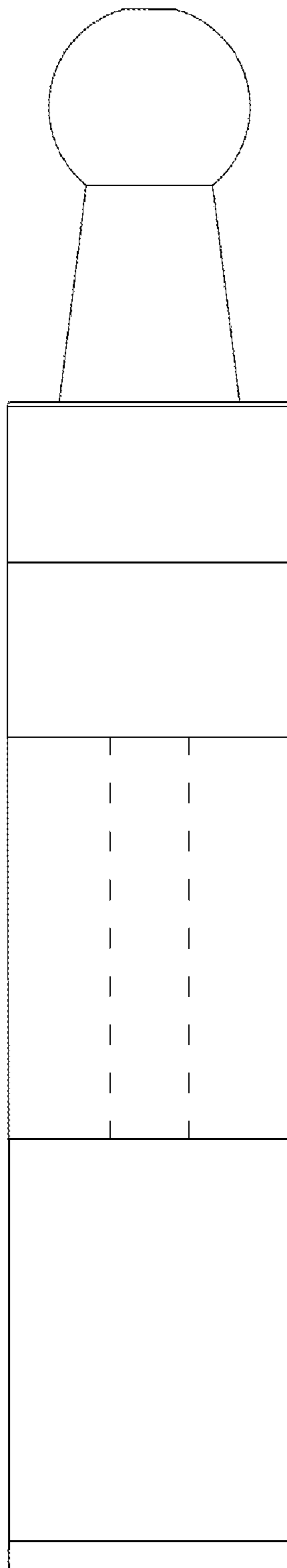


Figure 4

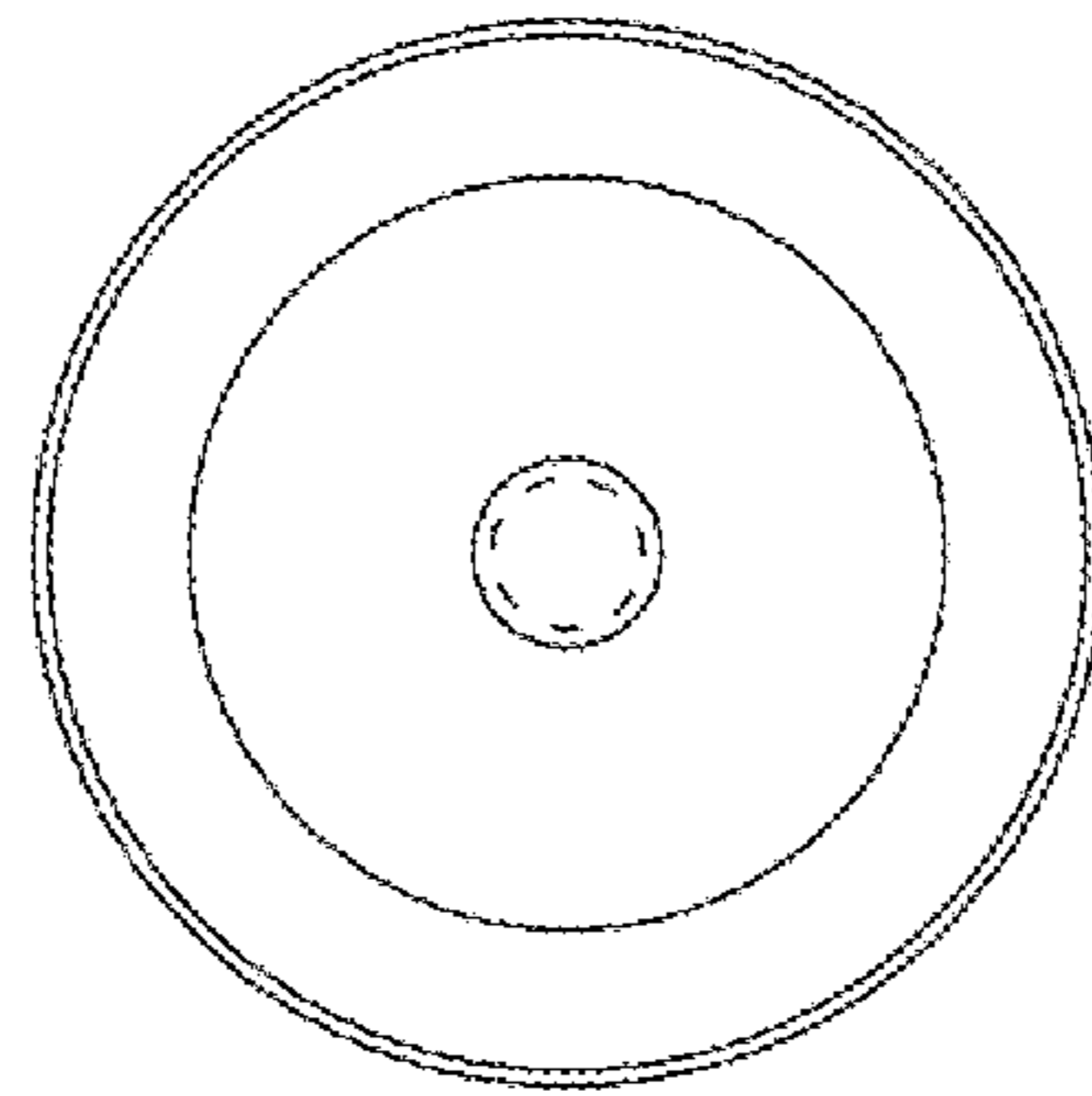


Figure 5

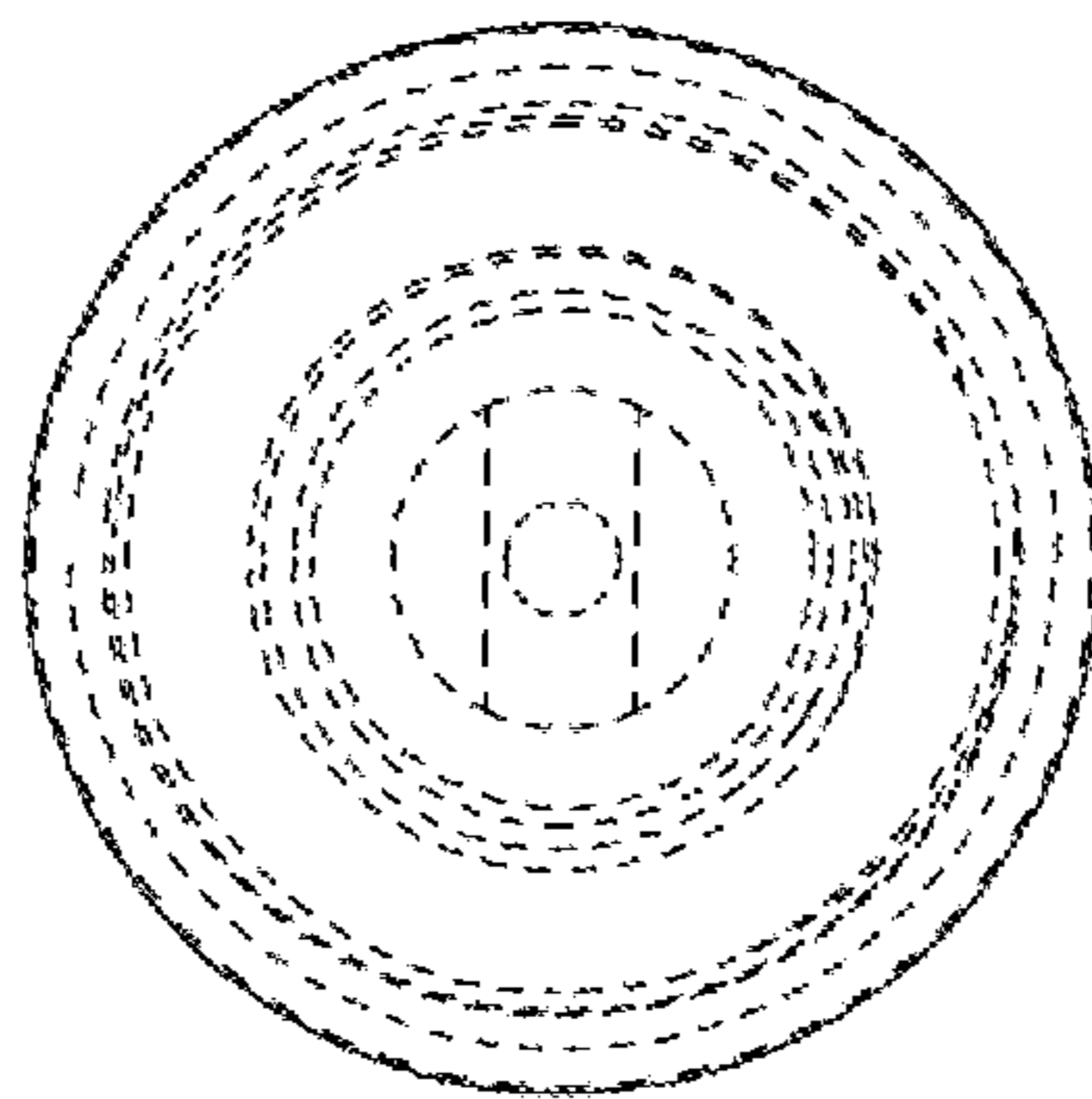


Figure 6

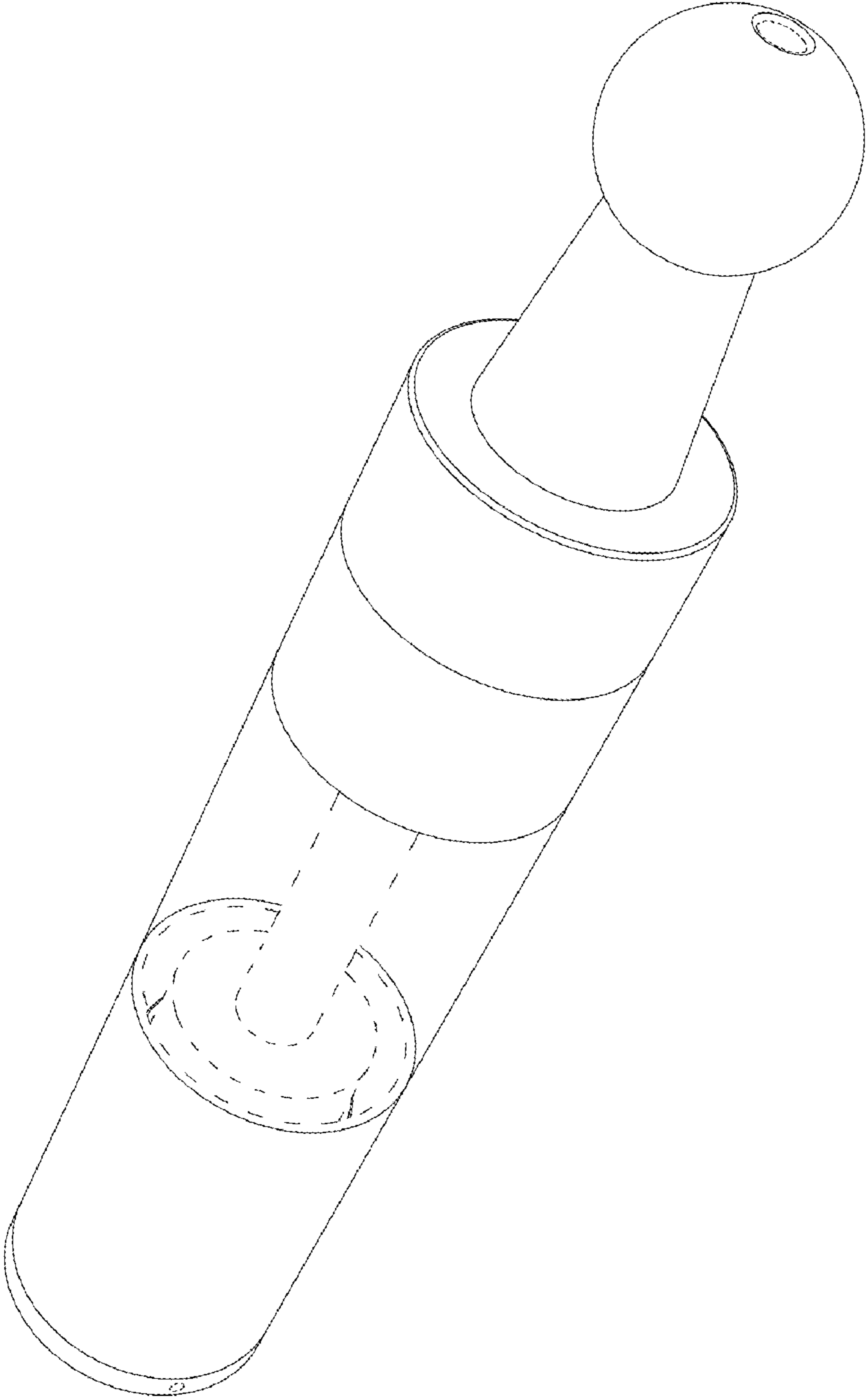


Figure 7

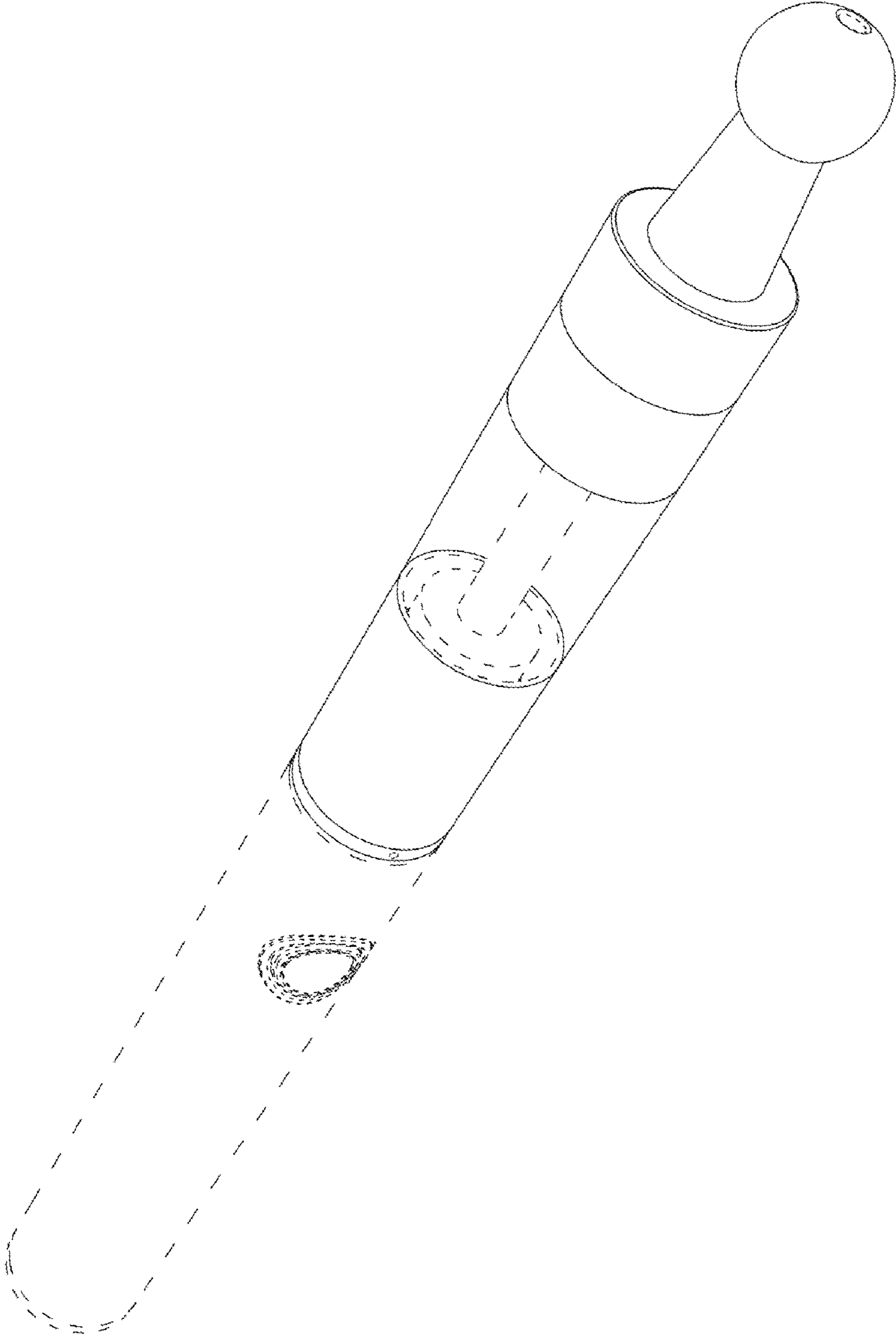


Figure 8

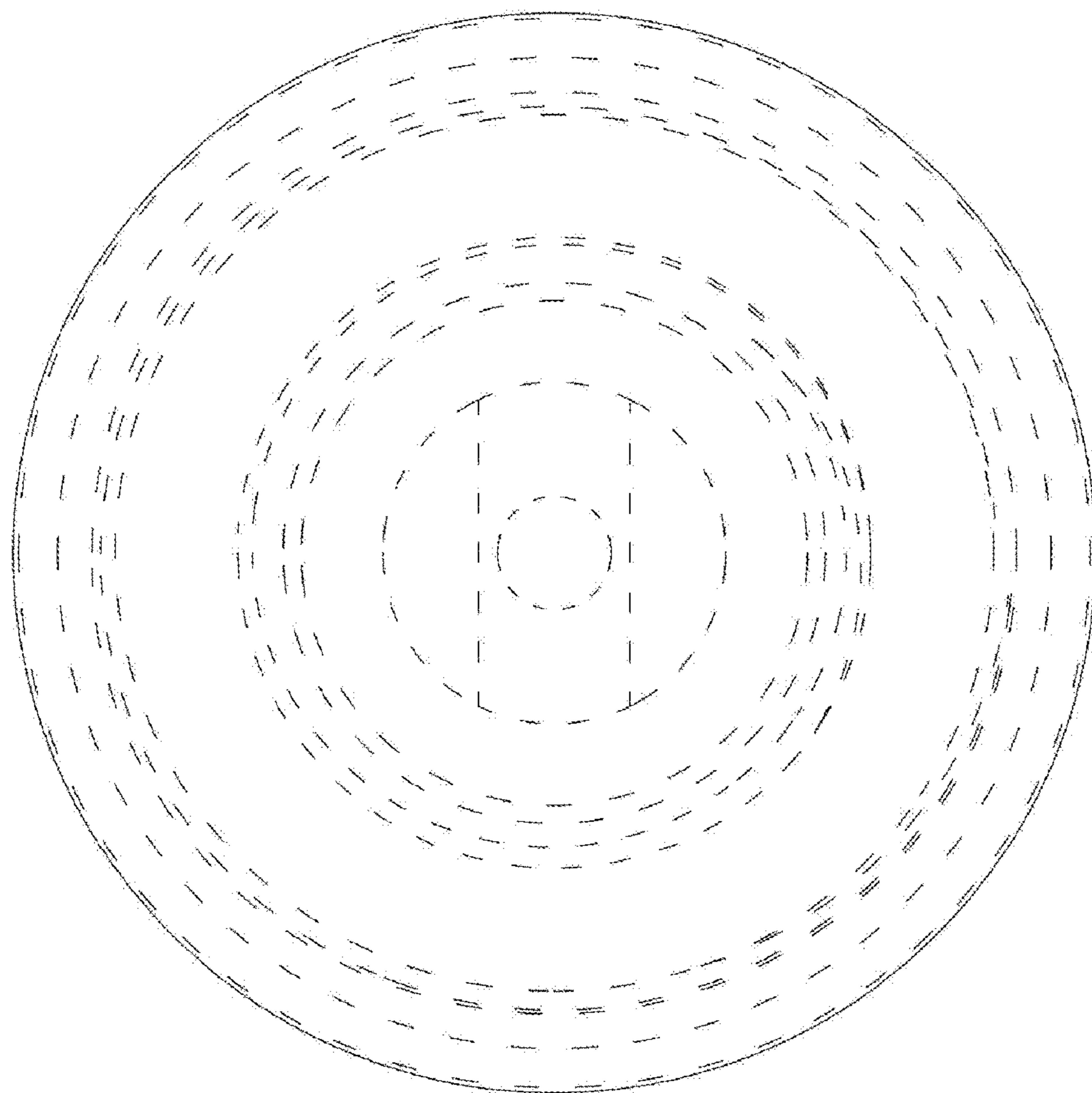


Figure 9

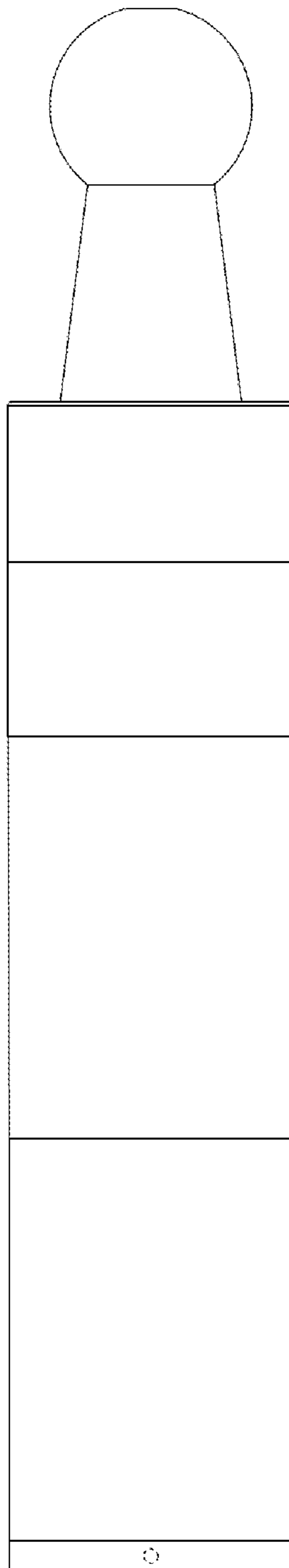


Figure 10

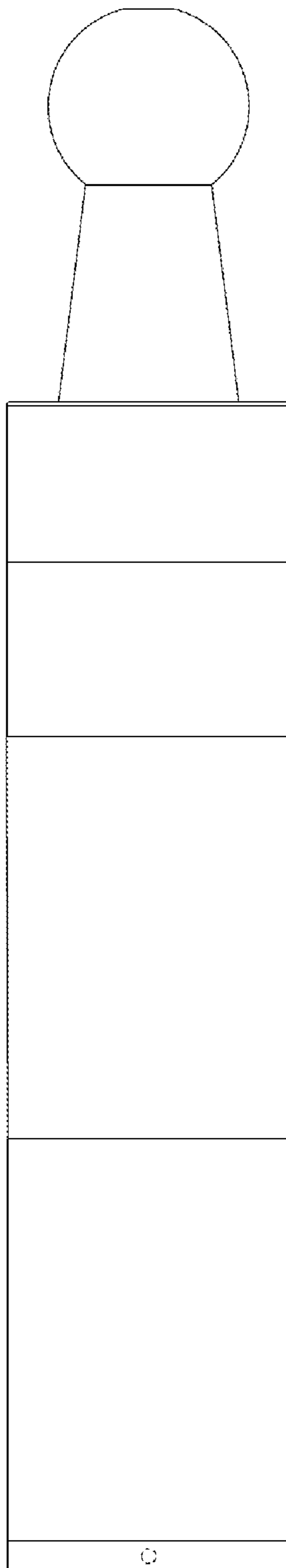


Figure 11

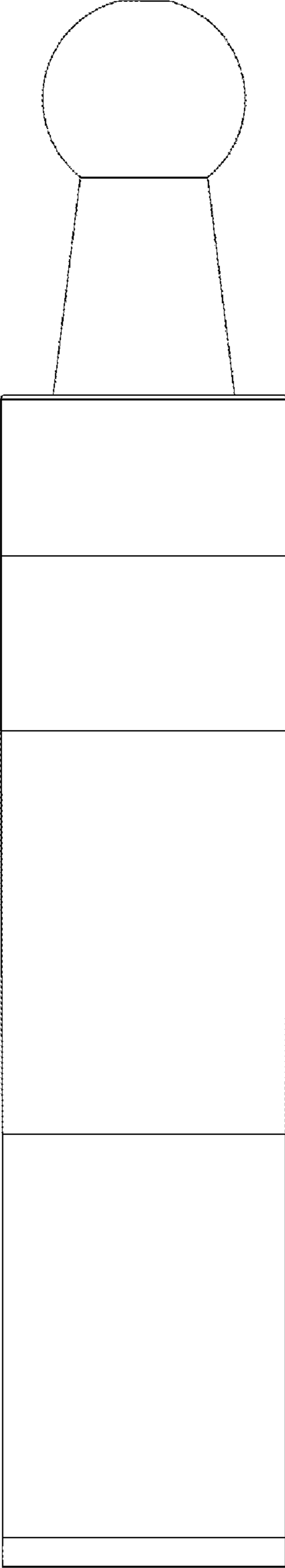


Figure 12

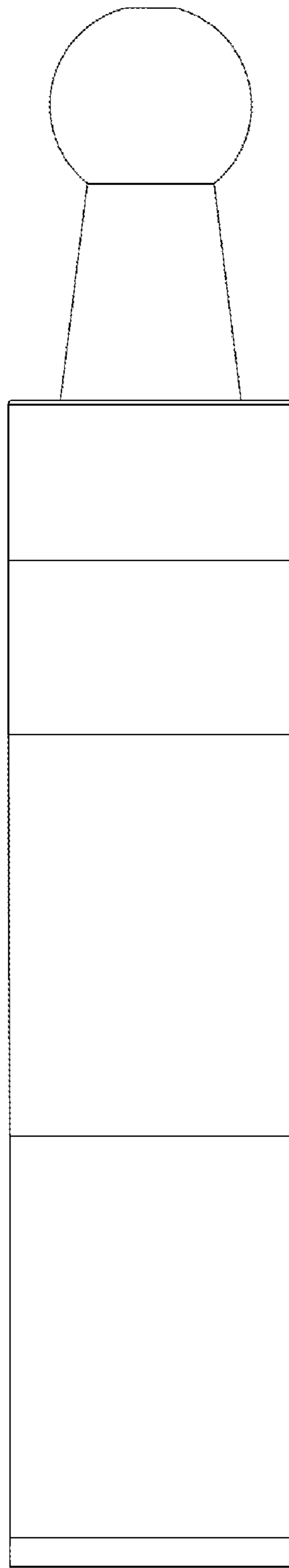


Figure 13

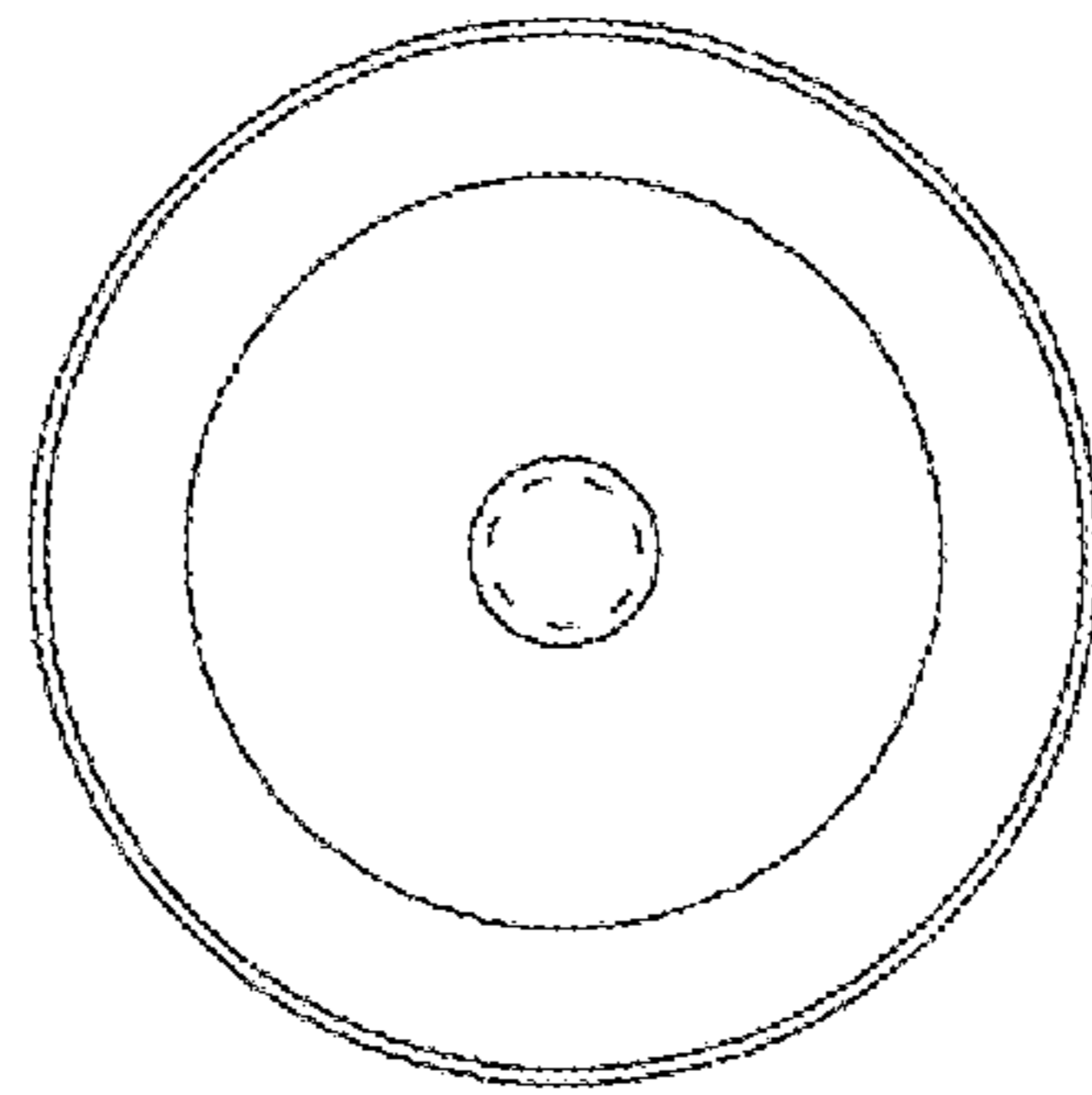


Figure 14

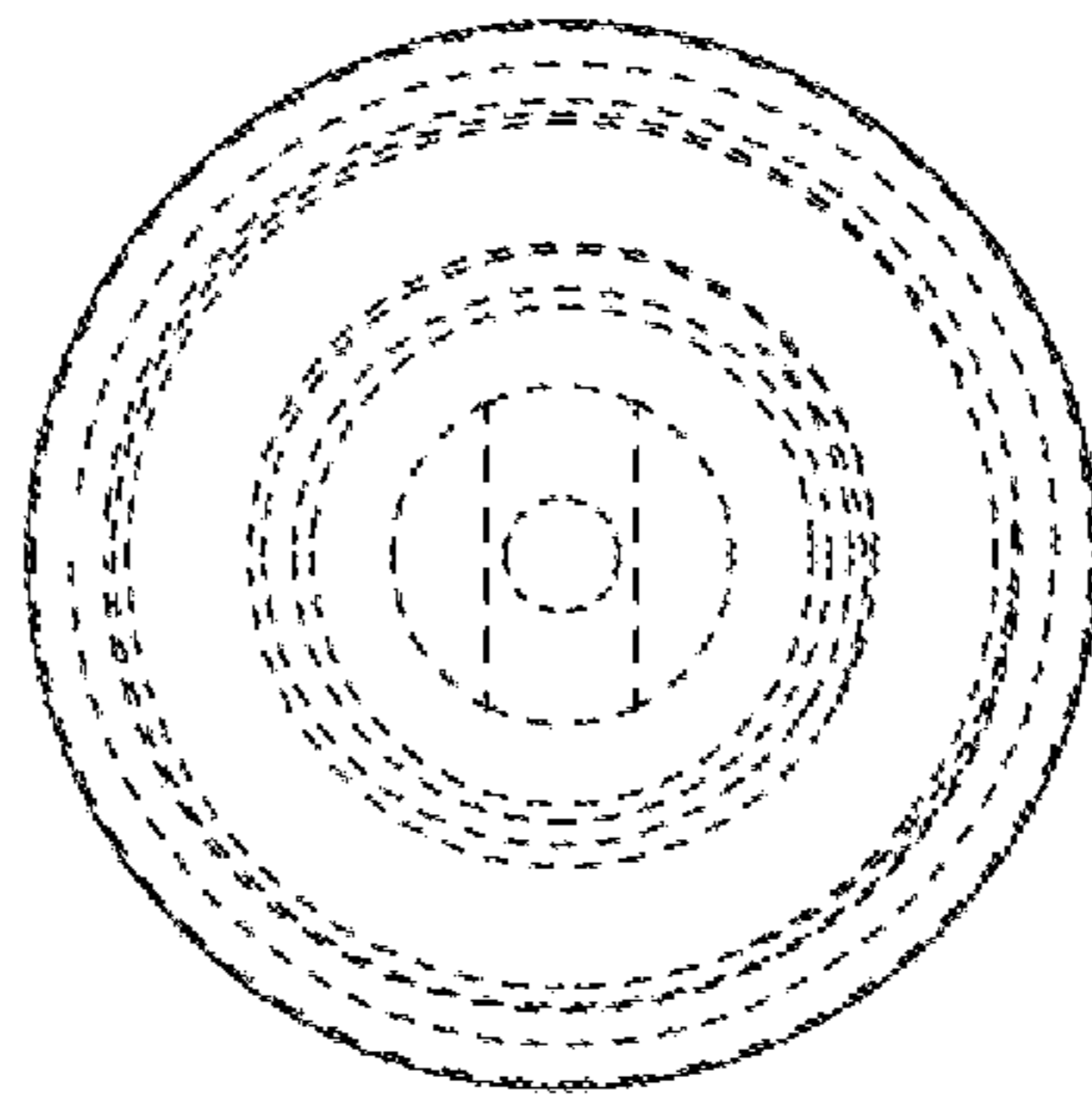


Figure 15

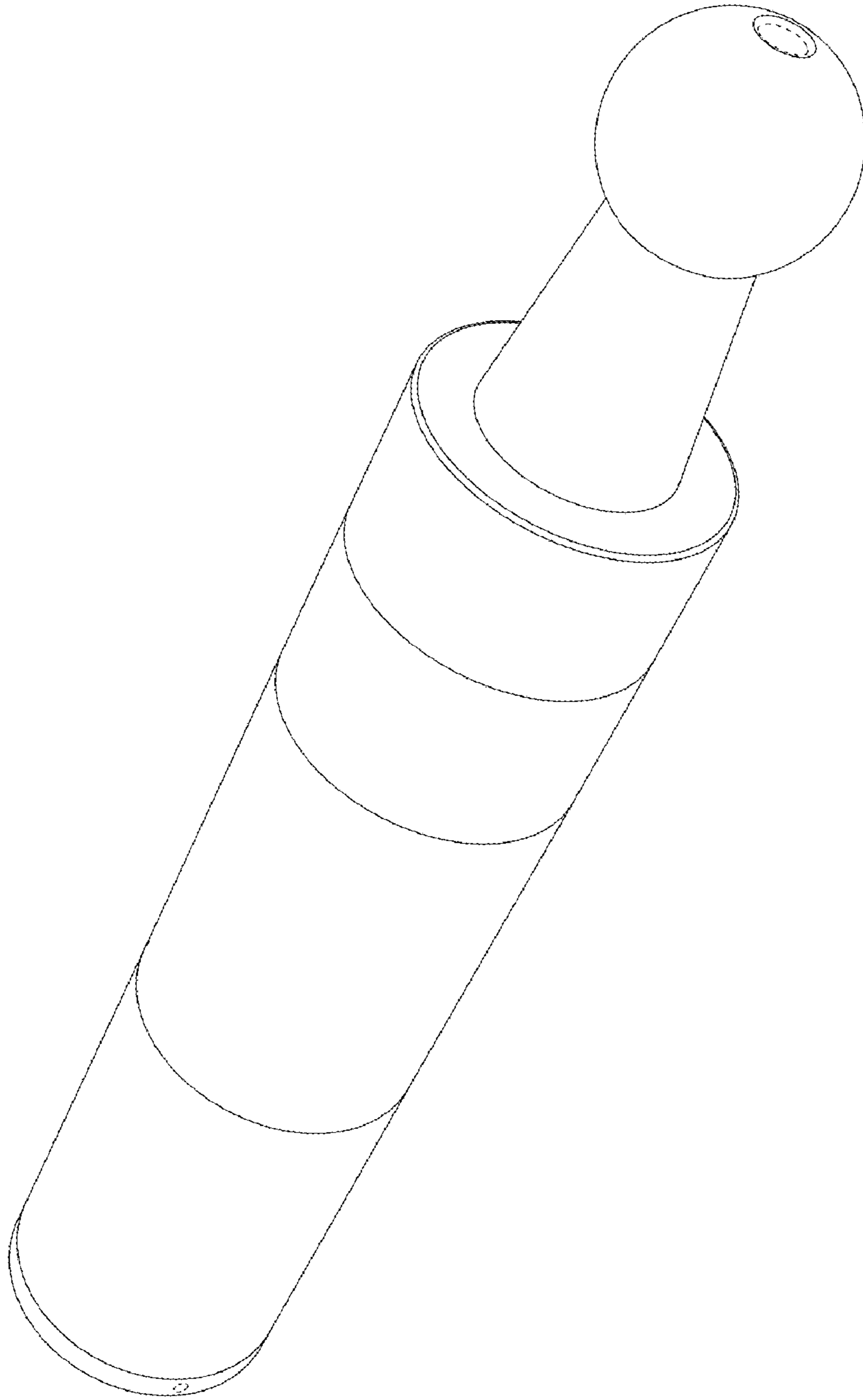


Figure 16

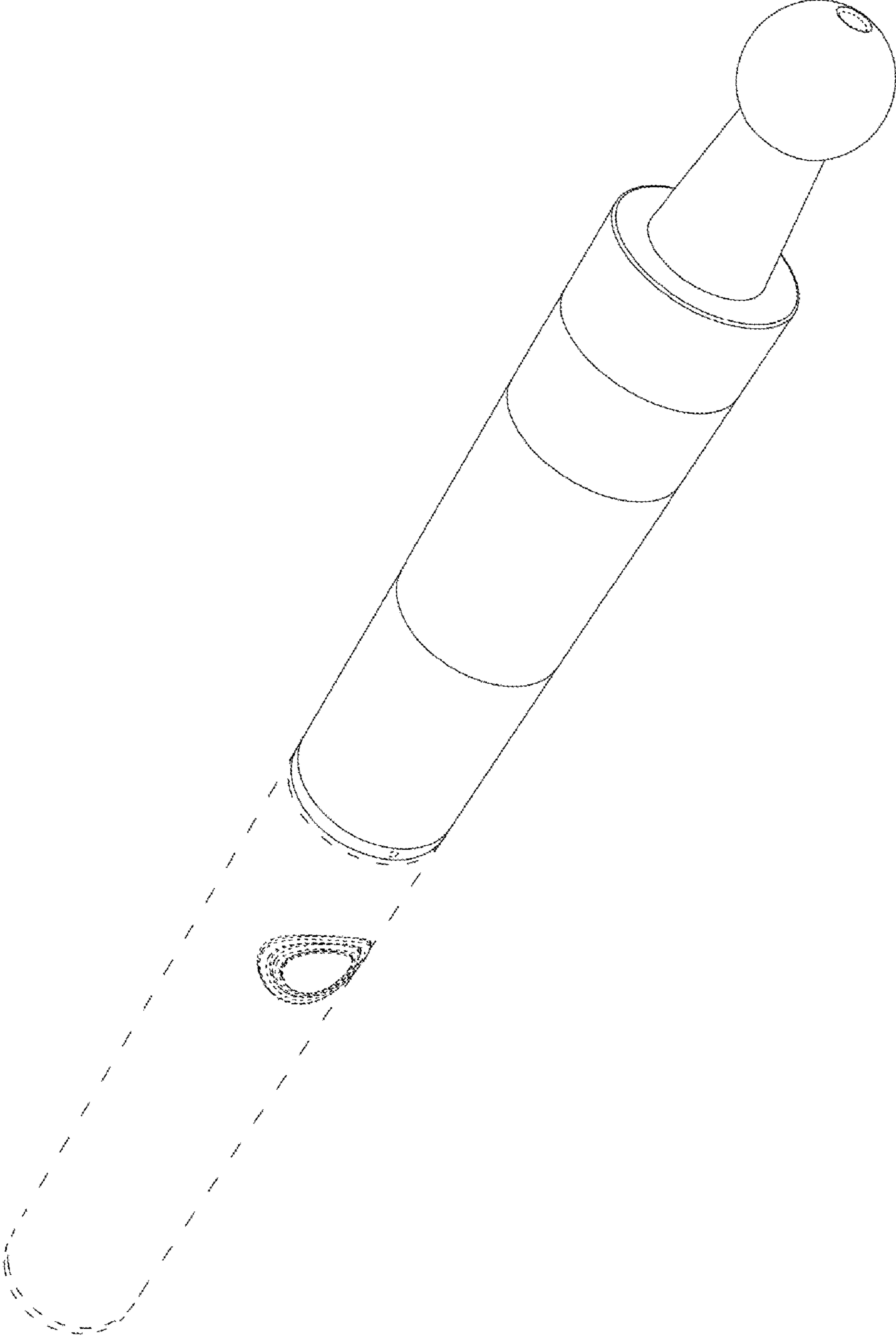


Figure 17