



US00D775409S

(12) **United States Design Patent** (10) **Patent No.:** **US D775,409 S**
Klus (45) **Date of Patent:** **** Dec. 27, 2016**

(54) **HOUSING FOR LED-BASED LIGHTING APPARATUS**

(71) Applicant: **Sylwester Klus**, Kamionka (PL)

(72) Inventor: **Sylwester Klus**, Kamionka (PL)

(**) Term: **14 Years**

(21) Appl. No.: **29/526,567**

(22) Filed: **May 11, 2015**

(51) **LOC (10) Cl.** **26-99**

(52) **U.S. Cl.**
USPC **D26/138**

(58) **Field of Classification Search**
USPC D13/110, 107, 108, 123, 133, 135, 137,
D13/138, 199; D26/60-66, 138-139,
D26/26-28, 72, 74, 75, 76, 81, 82, 106,
D26/109, 113, 118; 174/53, 54; 362/269,
362/274; D8/377; D25/119-122
CPC H01R 25/14; H01R 25/142; H01R 25/00;
F16J 1/16; H01L 27/14618; H01L
27/14601; H01L 27/14634; G06F 1/1637;
E04C 2003/0408; E04C 2003/0421; E04C
2003/043; E04C 2003/0434; E04C
2003/0465

See application file for complete search history.

(56) **References Cited**

U.S. PATENT DOCUMENTS

D238,510 S * 1/1976 Tabler D34/29
D245,273 S * 8/1977 Pettersson D25/119

D251,451 S * 3/1979 Toder D25/121
D313,858 S * 1/1991 Whitney D25/119
D486,340 S * 2/2004 Sudano D6/577
D649,687 S * 11/2011 Trzesniowski D26/138
D652,986 S * 1/2012 Trzesniowski D26/138
D700,395 S * 2/2014 Cavaliere D26/142
D740,479 S * 10/2015 Beno D26/118

* cited by examiner

Primary Examiner — Eric Goodman
Assistant Examiner — Christopher J Matthews
(74) *Attorney, Agent, or Firm* — Mark Terry

(57) **CLAIM**

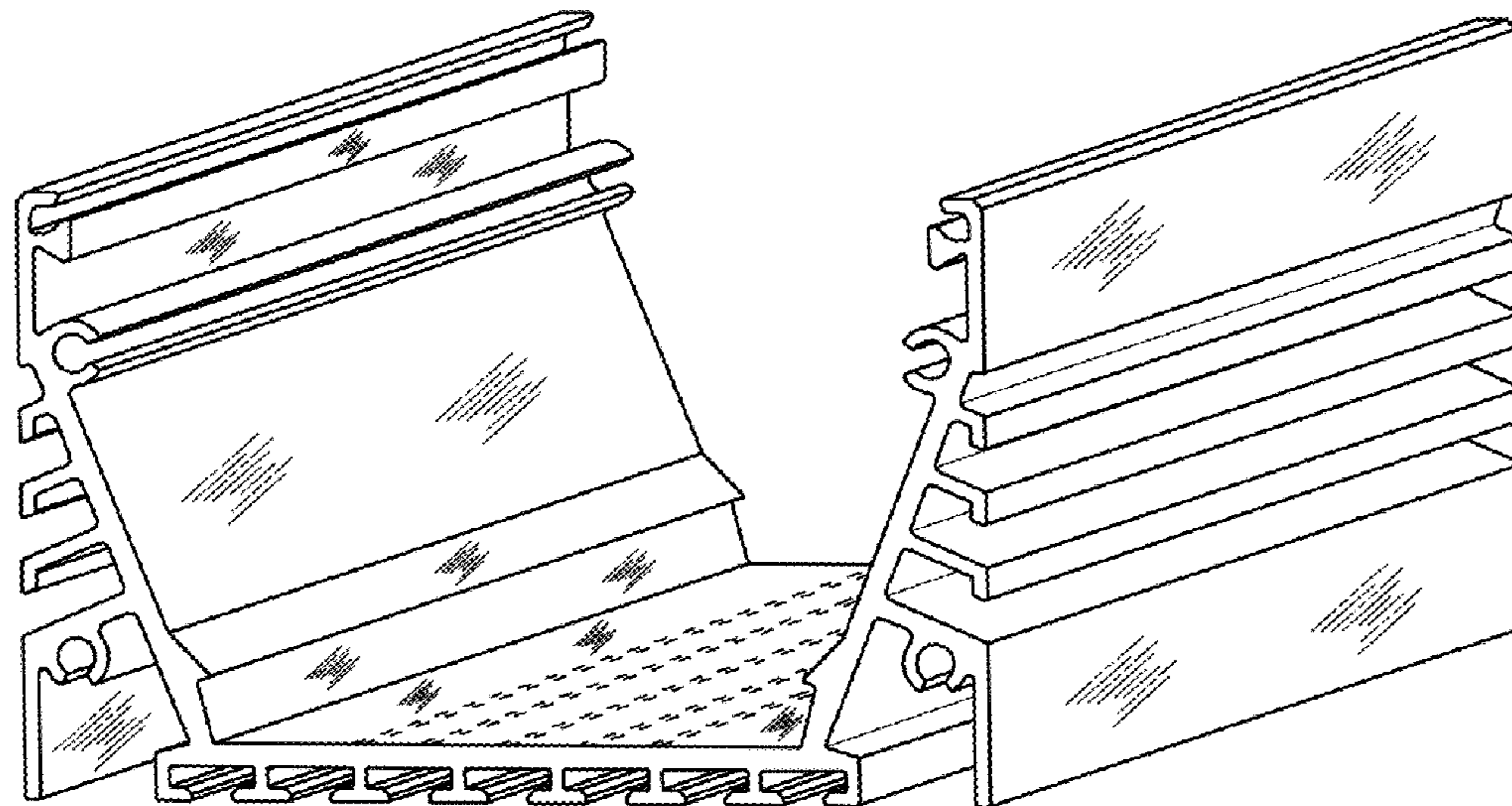
The ornamental design for a housing for an LED-based lighting apparatus, as shown and described.

DESCRIPTION

FIG. 1 is a front perspective view of a housing for an LED-based lighting apparatus, showing the new design; FIG. 2 is a bottom perspective view thereof; FIG. 3 is a front view thereof; FIG. 4 is a bottom view thereof; FIG. 5 is a rear view thereof; FIG. 6 is a top view thereof; FIG. 7 is another front view thereof; and, FIG. 8 is a side view thereof.

The uniformly dashed lines shown in the drawings illustrate portions of the housing for an LED-based lighting apparatus which form no part of the claimed design.

1 Claim, 4 Drawing Sheets



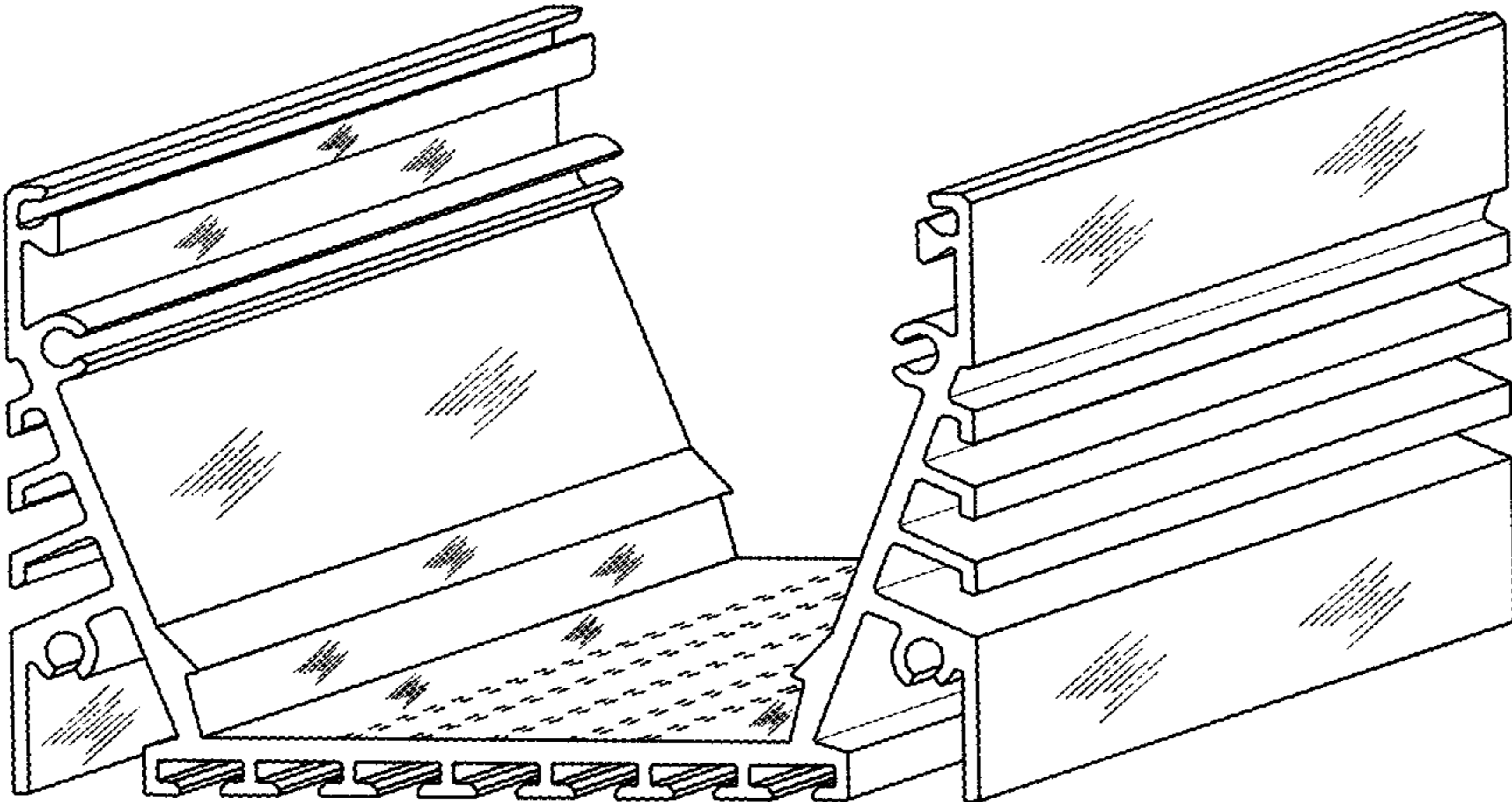


Fig. 1

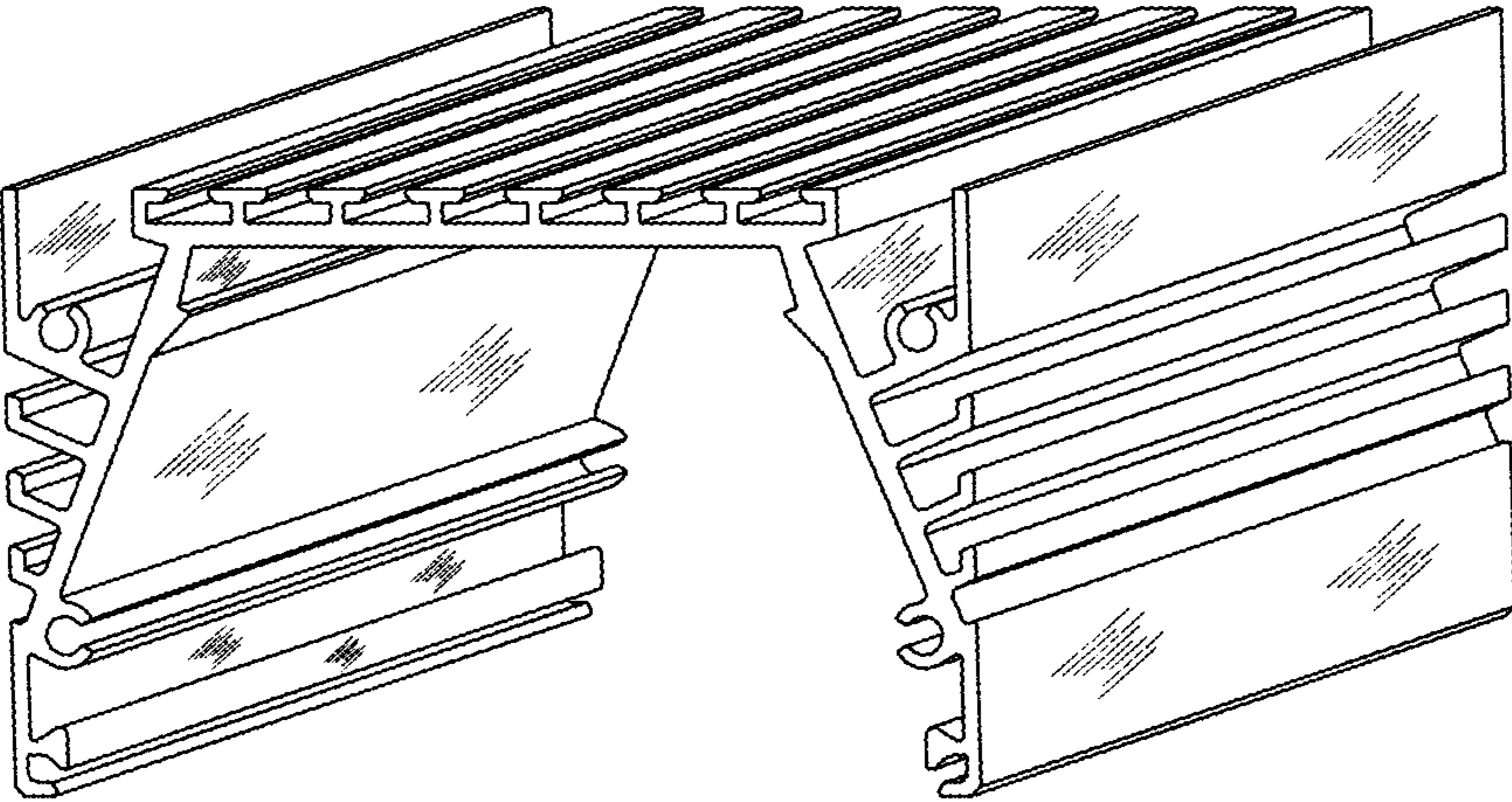


Fig. 2

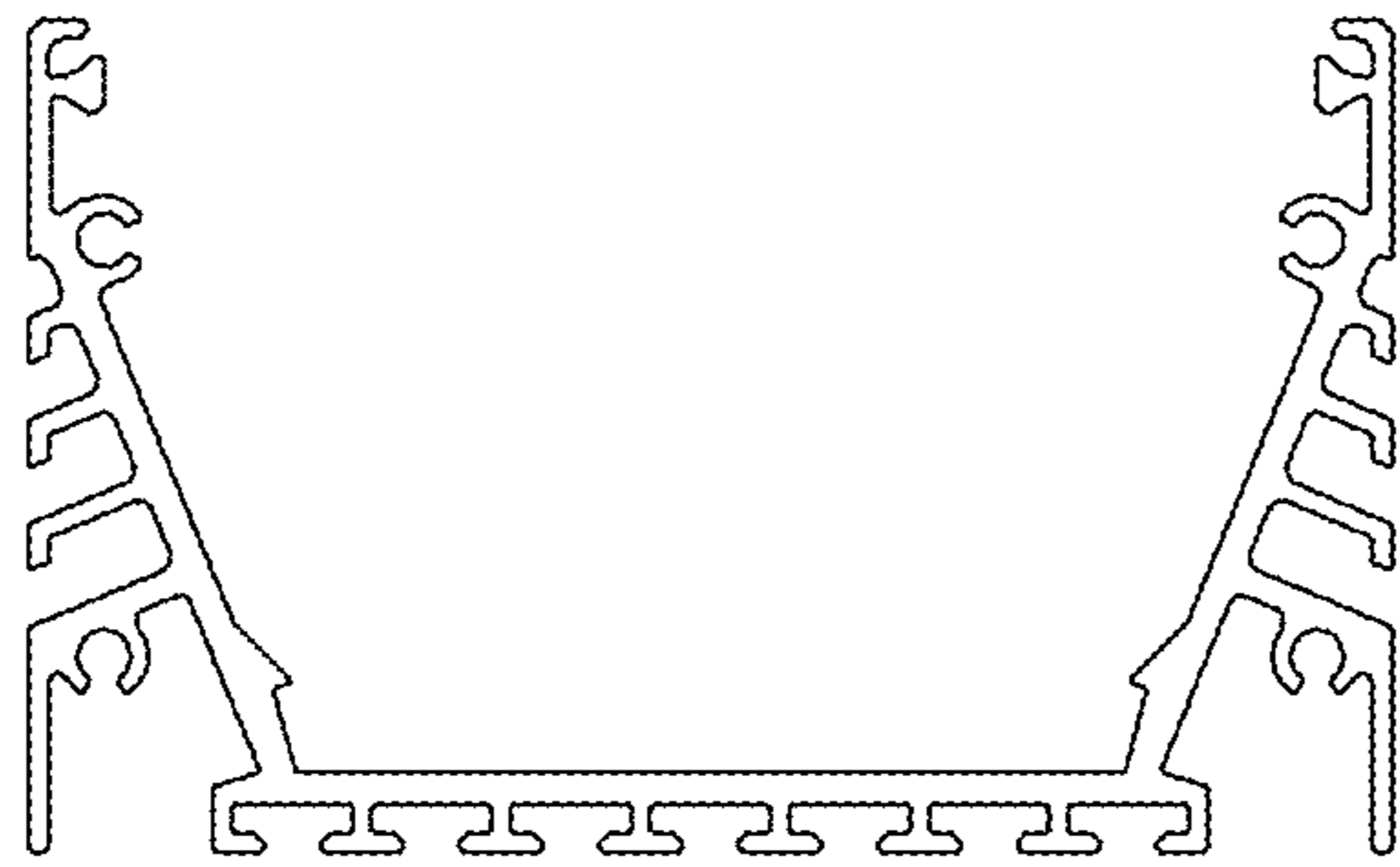


Fig. 3

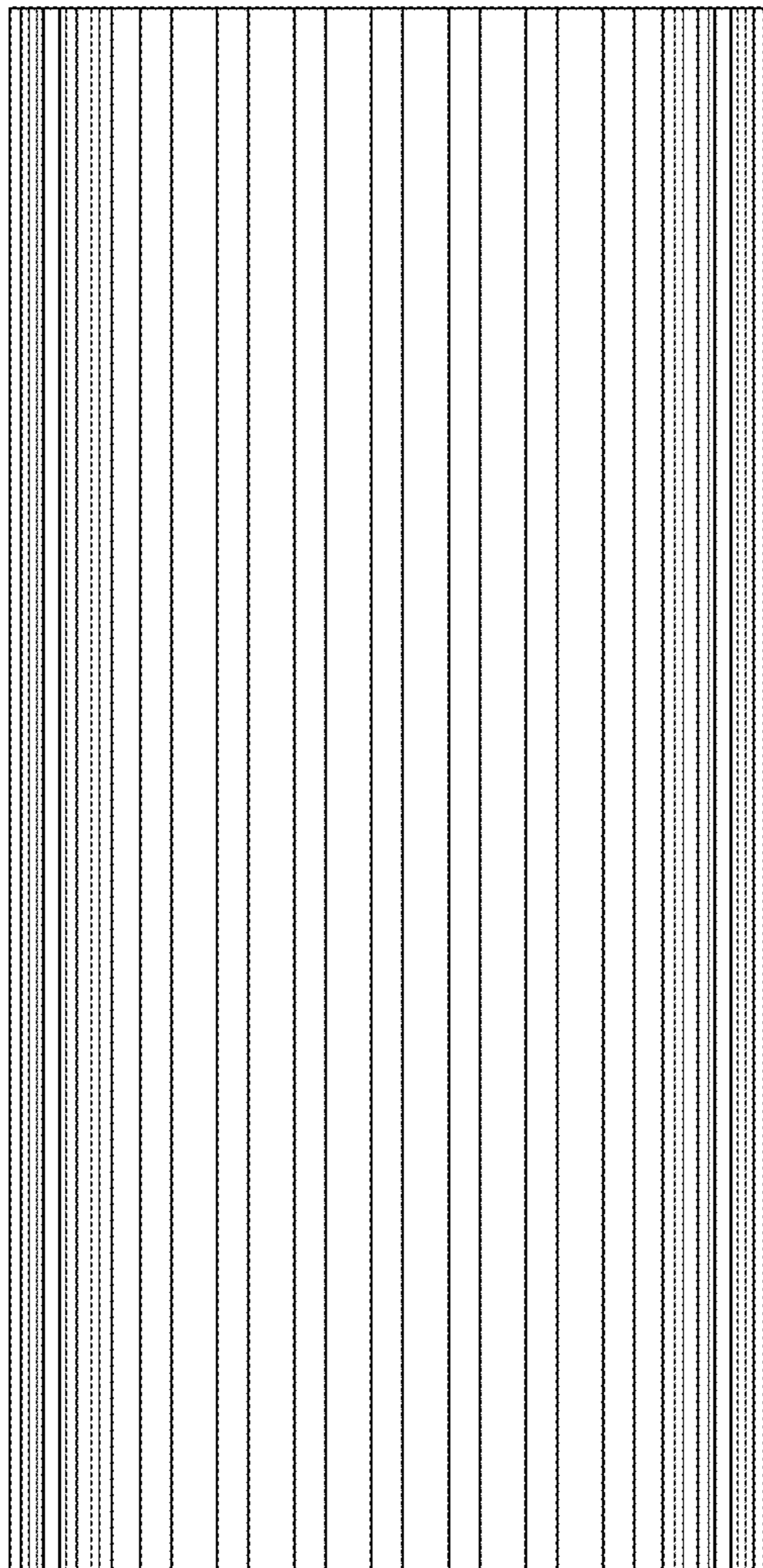


Fig. 4

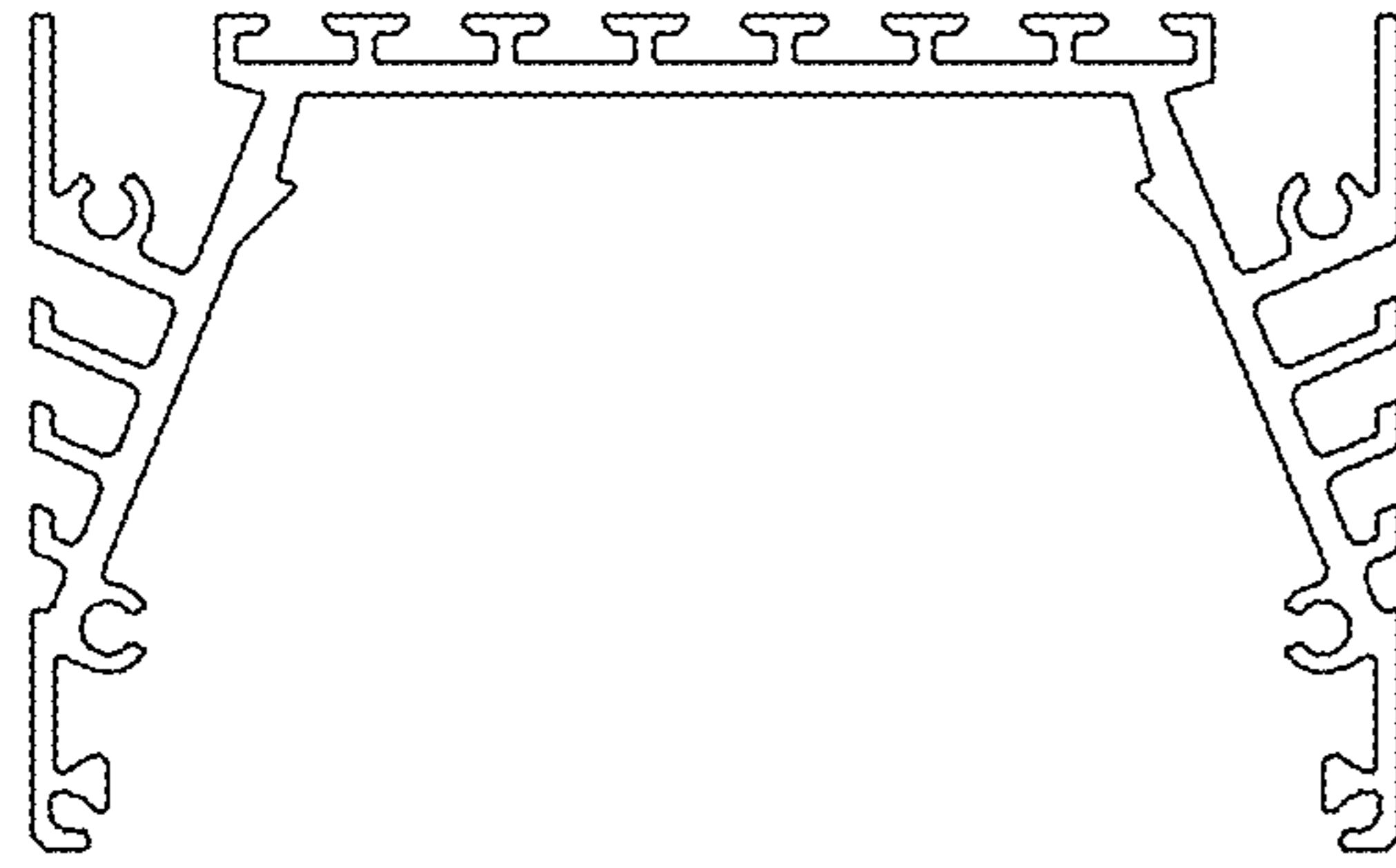


Fig. 5

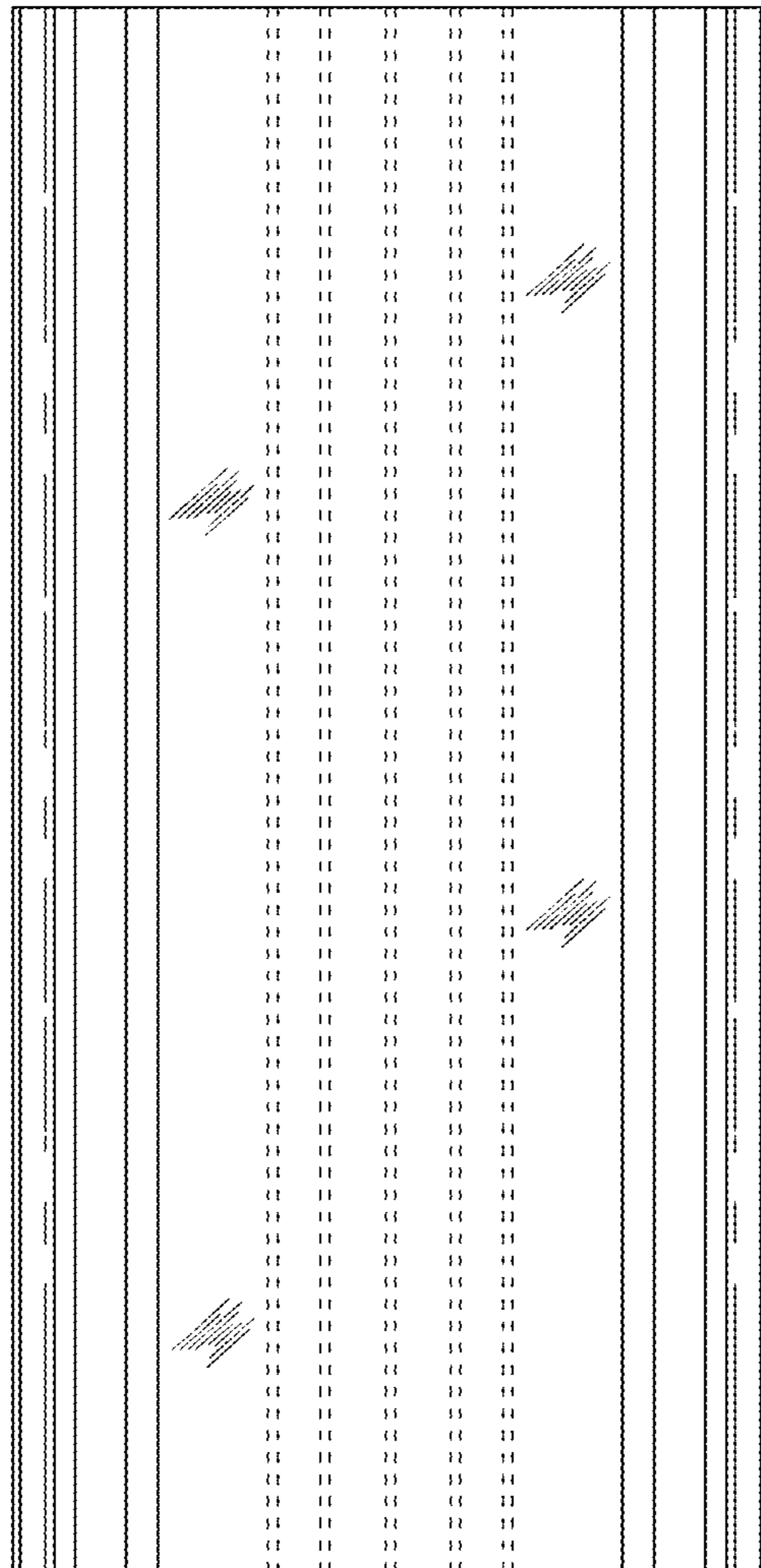


Fig. 6

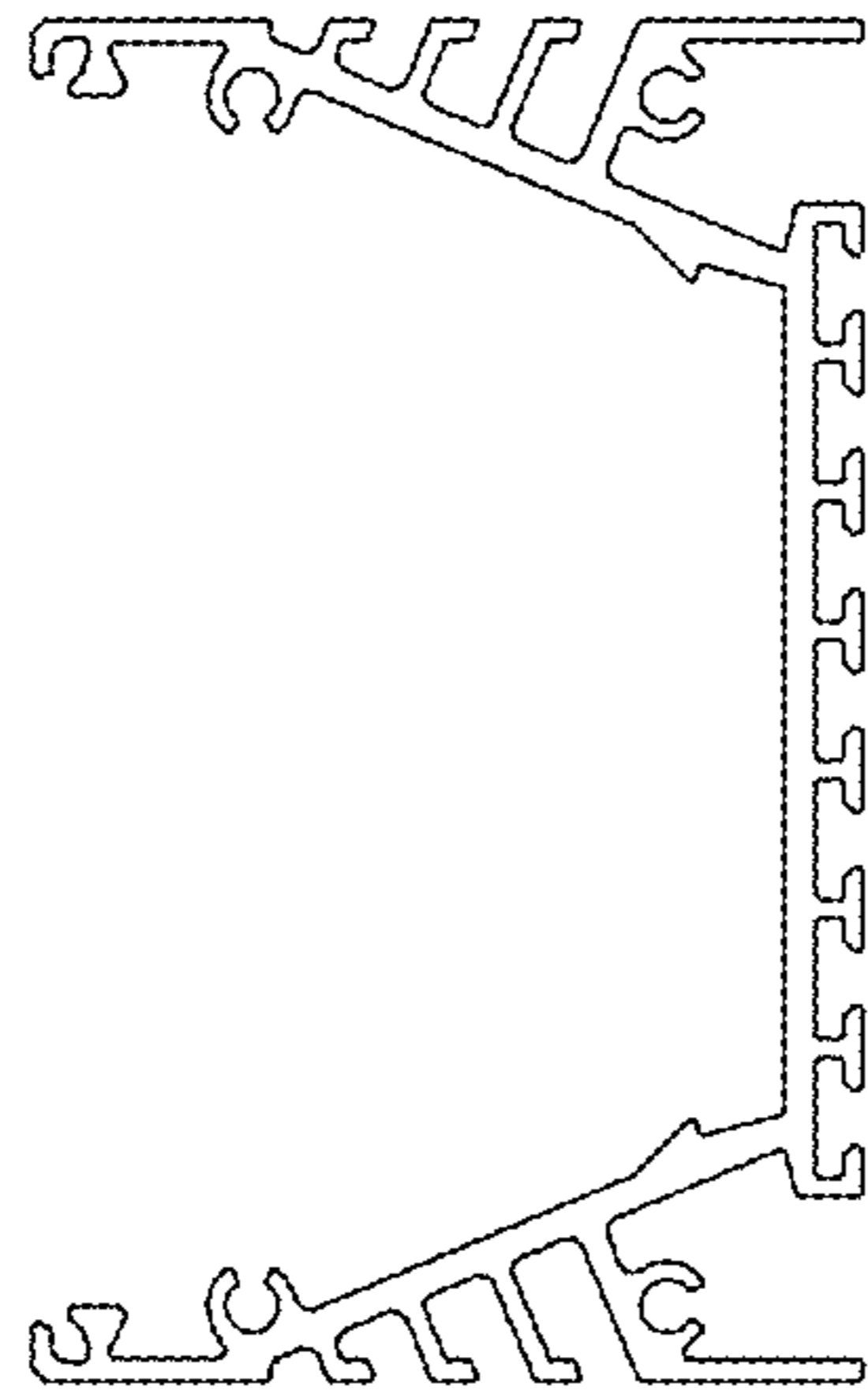


Fig. 7

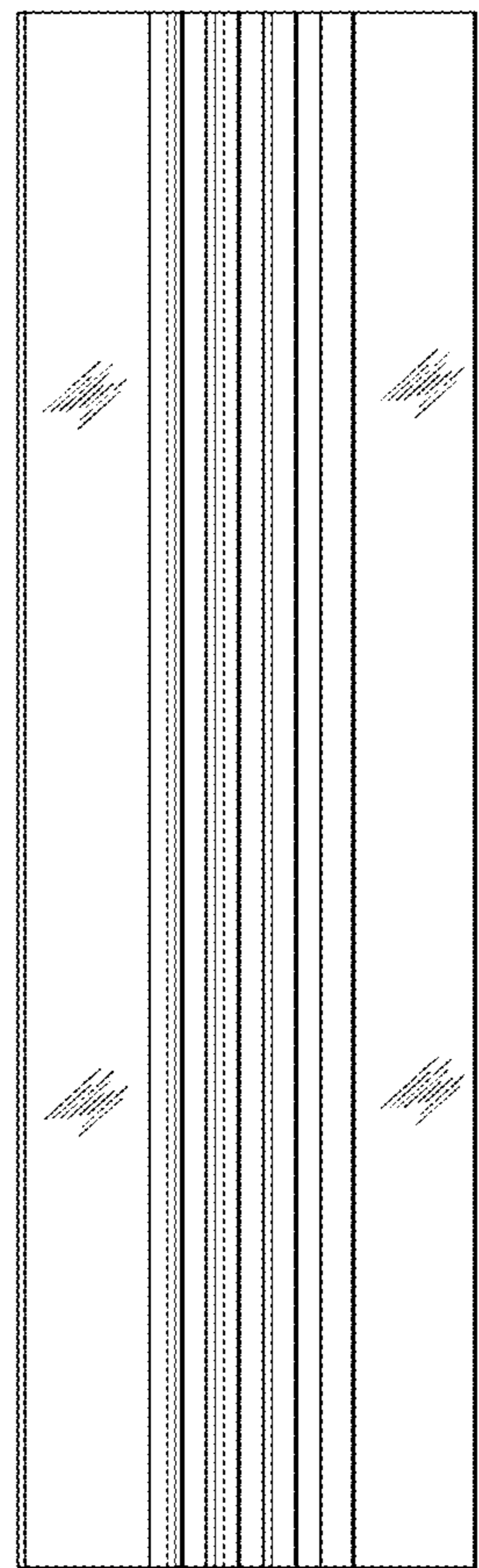


Fig. 8