



US00D775407S

(12) **United States Design Patent**  
**Datz et al.**

(10) **Patent No.:** **US D775,407 S**  
(45) **Date of Patent:** **\*\* Dec. 27, 2016**

(54) **OPTICAL LENS FOR PROJECTING LIGHT FROM LED LIGHT EMITTERS**

(71) Applicant: **STAR HEADLIGHT & LANTERN CO., INC.**, Avon, NY (US)

(72) Inventors: **R. Michael Datz**, Greece, NY (US);  
**Stephen T. Vukosic**, Avon, NY (US);  
**James J. Cronmiller**, West Henrietta, NY (US)

(73) Assignee: **STAR HEADLIGHT & LANTERN CO., INC.**, Avon, NY (US)

(\*\*) Term: **14 Years**

(21) Appl. No.: **29/518,852**

(22) Filed: **Feb. 27, 2015**

(51) **LOC (10) Cl.** ..... **29-99**

(52) **U.S. Cl.**

USPC ..... **D26/122**

(58) **Field of Classification Search**

USPC ..... D26/5, 6, 9, 10, 11, 12, 13, 15, 16, 24,  
D26/51, 61, 72, 76, 79, 80, 81, 85, 86,  
D26/88, 90, 113, 114, 116, 118, 119, 120,  
D26/121, 122, 127, 128, 129, 131, 135,  
D26/137, 138, 143, 144, 180, 2, 28, 60,  
D26/89, 104, 124, 142, 145, 102, 103,  
D26/107, 108, 179

CPC ..... B01D 46/10; A61L 9/037; B60Q 1/04;  
B60Q 1/26; F21L 19/00; F21S 8/04; F21S  
8/026; F21V 7/00; F21V 7/22; F21V  
21/02; F21V 21/04; F21V 29/004; F21V  
29/83; F21V 29/2212; F21V  
37/002; F21V 3/02;

(Continued)

(56) **References Cited**

**U.S. PATENT DOCUMENTS**

3,019,334 A 1/1962 Lipscomb  
3,427,371 A \* 2/1969 Skinner ..... B29C 44/468  
264/176.1

3,541,321 A 11/1970 Spiteri

(Continued)

**OTHER PUBLICATIONS**

Vehicle and Emergency lights, image post date Nov. 21, 2014, site visited Jul. 25, 2014, (online), <<https://www.tineye.com/search/03f54e6a8b8d21df3f69f33b06e86935eae6397/>>.\*

(Continued)

*Primary Examiner* — Kevin Rudzinski

*Assistant Examiner* — Sean D Lough

(74) *Attorney, Agent, or Firm* — Kenneth J. Lukacher  
Law Group

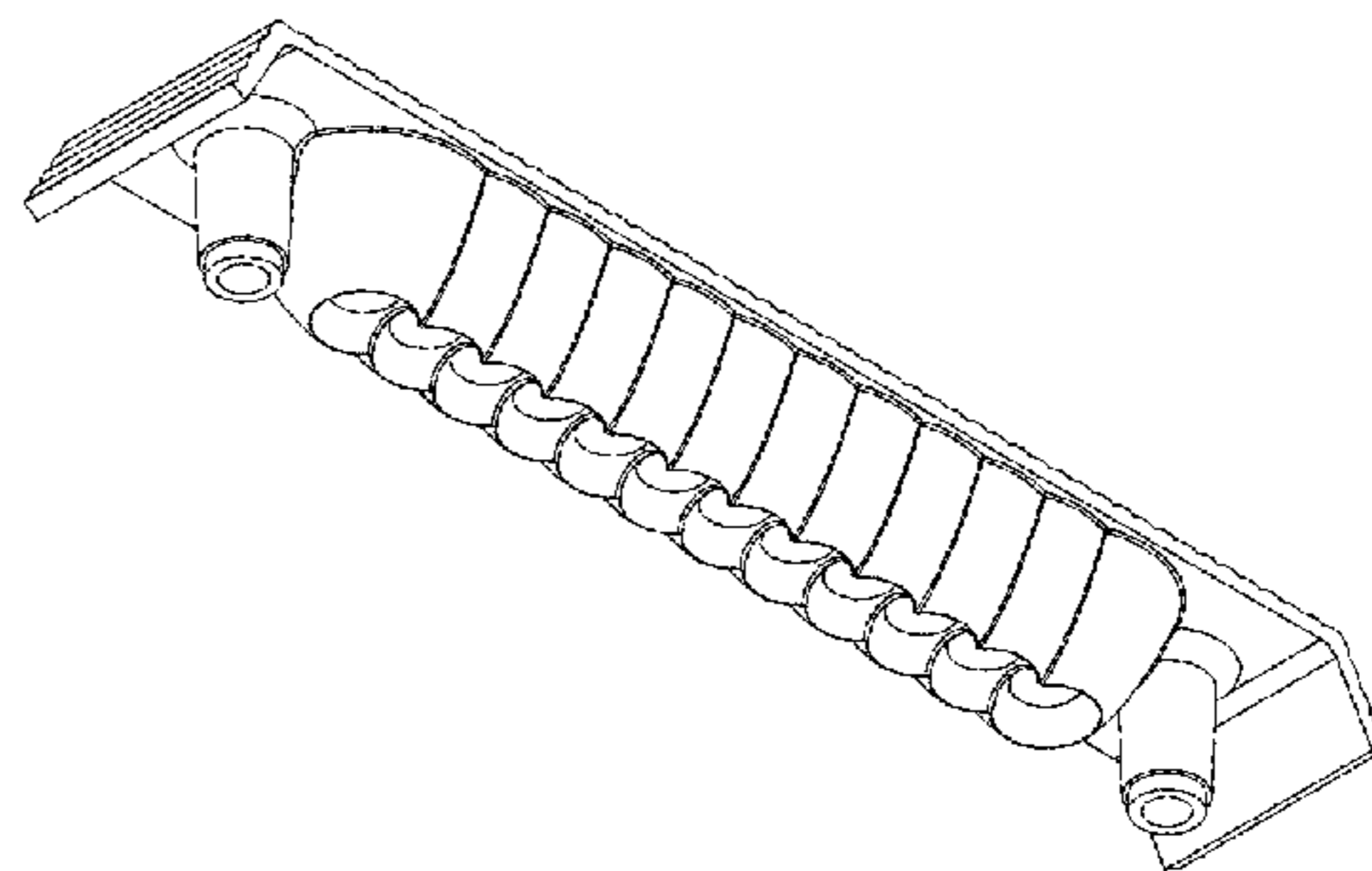
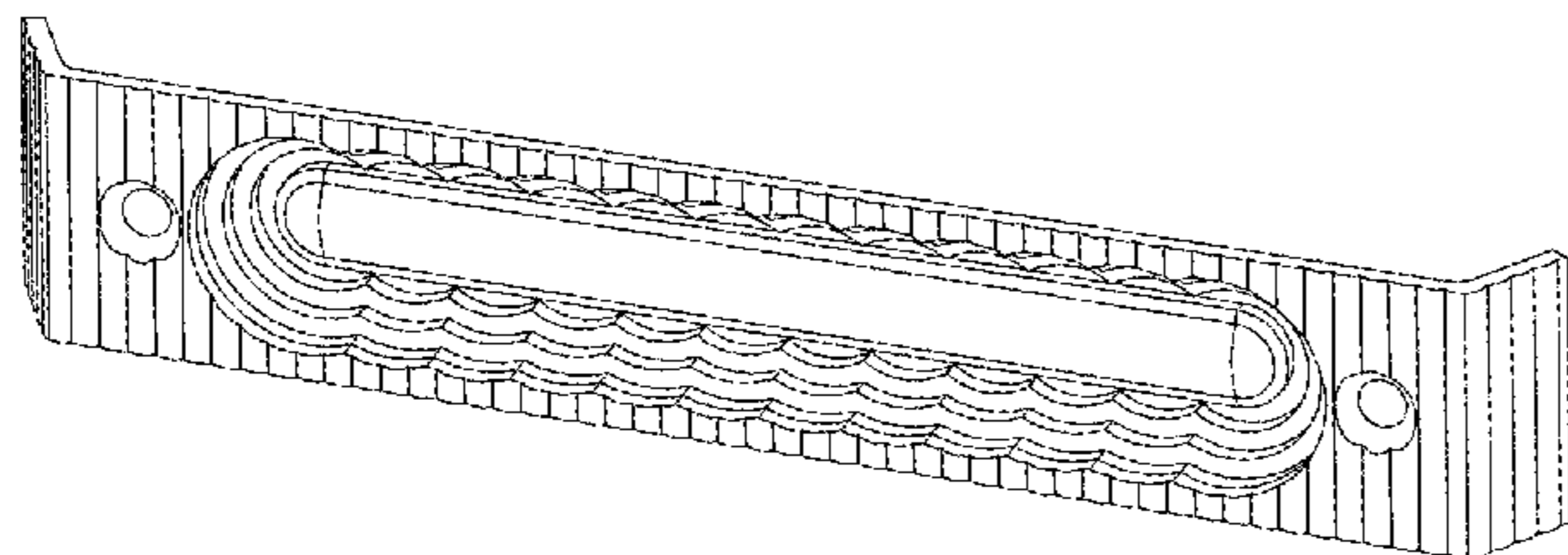
(57) **CLAIM**

The ornamental design for an optical lens for projecting light from LED light emitters, as shown and described.

**DESCRIPTION**

FIG. 1 is a perspective view looking downwardly from the right side of the front of an optical lens for projecting light from LED light emitters which embodies our invention; FIG. 2 is a perspective view looking upwardly from the left side of the front thereof; FIG. 3 is a top elevational view thereof; FIG. 4 is a bottom elevational view thereof; FIG. 5 is a front plan view of the front thereof; FIG. 6 is a left end view thereof; FIG. 7 is a right end view thereof; FIG. 8 is a back plan view of the back thereof; FIG. 9 is a perspective view looking downwardly from the right side of the back thereof; FIG. 10 is a perspective view looking downwardly from the top at the back thereof; FIG. 11 is a longitudinal central sectional view thereof illustrating the internal shape of the lens structure thereof; and, FIG. 12 is a lateral central sectional view thereof perpendicular to the view of FIG. 11 illustrating the internal shape of the lens structure thereof.

**1 Claim, 5 Drawing Sheets**



(58) **Field of Classification Search**  
 CPC ... F21V 29/006; F21Y 2101/02; F23D 11/443;  
 F21K 9/00; H01L 2224/48137  
 See application file for complete search history.

(56) **References Cited**

U.S. PATENT DOCUMENTS

3,668,381 A 6/1972 Schwartz et al.  
 4,240,062 A 12/1980 Gosswiller  
 4,569,002 A 2/1986 English et al.  
 4,742,432 A 5/1988 Thillays et al.  
 5,550,716 A 8/1996 Dassanayake et al.  
 6,067,012 A 5/2000 Harding  
 D443,939 S \* 6/2001 Thomas ..... D26/28  
 D451,218 S 11/2001 Bernier  
 D472,986 S 4/2003 Kim  
 6,568,826 B1 5/2003 Kotovsky  
 6,641,282 B2 11/2003 Perlo et al.  
 6,641,284 B2 \* 11/2003 Stopa ..... F21S 48/218  
 362/235  
 D489,144 S 4/2004 Dalton, Jr.  
 6,793,368 B2 9/2004 Ladstatter  
 D500,384 S 12/2004 Lyons et al.  
 6,851,835 B2 2/2005 Smith et al.  
 6,875,215 B2 \* 4/2005 Taras ..... A61B 17/1637  
 606/312  
 D530,029 S 10/2006 Neufeglise et al.  
 D530,437 S 10/2006 Neufeglise et al.  
 D531,332 S 10/2006 Duvall et al.  
 7,131,758 B2 11/2006 Ishida  
 7,258,466 B2 8/2007 Watanabe et al.  
 D554,280 S \* 10/2007 Chen ..... D26/35  
 D564,685 S \* 3/2008 Schnell ..... D26/39  
 D565,515 S \* 4/2008 Chen ..... D13/180  
 7,434,959 B1 10/2008 Wang  
 D581,074 S 11/2008 Starr  
 D581,092 S 11/2008 Demarest et al.  
 7,465,070 B2 12/2008 Engel  
 D585,587 S \* 1/2009 Fan ..... D26/118  
 D586,029 S \* 2/2009 Copeland ..... D26/76  
 D586,492 S \* 2/2009 Copeland ..... D26/76  
 D615,223 S 5/2010 Huang  
 D621,968 S \* 8/2010 Schultz ..... D26/1  
 D632,421 S 2/2011 Vukosic et al.  
 D633,648 S 3/2011 Datz  
 D647,662 S \* 10/2011 Verelst ..... D26/85  
 8,042,970 B2 \* 10/2011 Wang ..... F21K 9/00  
 362/249.02  
 D652,335 S 1/2012 Deyaf  
 8,096,679 B2 \* 1/2012 Chen ..... F21V 7/0083  
 362/241  
 8,192,063 B2 6/2012 Neufeglise  
 D672,081 S \* 12/2012 Sprengers ..... D26/85  
 D674,965 S \* 1/2013 Lueken ..... D26/120  
 D680,894 S 4/2013 Yu  
 D683,252 S \* 5/2013 Andrew ..... D10/114.4  
 D693,035 S 11/2013 Datz et al.  
 D707,579 S \* 6/2014 Datz ..... D10/121  
 D710,726 S \* 8/2014 Neufeglise ..... D10/114.4  
 D712,086 S 8/2014 Barbato et al.  
 D716,976 S \* 11/2014 Merovitz ..... D26/28  
 D736,992 S \* 8/2015 Chen ..... D26/120  
 D745,720 S \* 12/2015 Chang ..... D26/28  
 9,214,444 B2 \* 12/2015 Milke ..... H01B 1/023  
 D747,018 S \* 1/2016 Hansen ..... D26/28  
 9,239,140 B2 \* 1/2016 Hikmet ..... F21V 9/16  
 D750,820 S \* 3/2016 Packard ..... D26/31  
 D751,442 S \* 3/2016 Lv ..... D10/114.4  
 D753,642 S \* 4/2016 Iimuro ..... D14/253  
 9,303,837 B2 \* 4/2016 Watanabe ..... F21S 48/2212  
 D756,548 S \* 5/2016 Wang ..... D26/24  
 D757,686 S \* 5/2016 White ..... D14/214  
 D757,687 S \* 5/2016 White ..... D14/214  
 9,351,371 B2 \* 5/2016 Ishizaki ..... H01L 33/504  
 D759,272 S \* 6/2016 Fan ..... D26/28  
 D759,876 S \* 6/2016 Blum ..... D26/88

D760,118 S \* 6/2016 Lepp ..... D11/142  
 9,360,169 B2 \* 6/2016 Zhang ..... G02B 19/0028  
 9,371,976 B2 \* 6/2016 Kang ..... F21V 7/048  
 9,374,856 B2 \* 6/2016 Winton ..... H05B 33/0806  
 9,377,175 B2 \* 6/2016 Kuo ..... F21K 9/50  
 D761,983 S \* 7/2016 Tanaka ..... D26/28  
 9,383,070 B2 \* 7/2016 Khrushchev ..... F21K 9/56  
 2002/0172046 A1 11/2002 Perlo et al.  
 2004/0008516 A1 1/2004 Amano  
 2008/0002413 A1 1/2008 Wang et al.  
 2008/0080203 A1 \* 4/2008 Neufeglise ..... B60Q 1/52  
 362/540  
 2008/0144322 A1 6/2008 Norfidathul et al.  
 2009/0196037 A1 \* 8/2009 Xiao ..... F21V 21/30  
 362/249.03  
 2009/0231840 A1 \* 9/2009 Boehme ..... F21S 8/02  
 362/223  
 2009/0303722 A1 \* 12/2009 Verfuert ..... F21V 25/02  
 362/260  
 2009/0310356 A1 \* 12/2009 Laporte ..... F21V 5/007  
 362/239  
 2013/0068233 A1 \* 3/2013 De Lulio ..... A61M 16/0497  
 128/207.17  
 2013/0155670 A1 \* 6/2013 Handsaker ..... F21V 13/02  
 362/223  
 2014/0036533 A1 \* 2/2014 Smith-Gillespie G02F 1/133615  
 362/609  
 2015/0130398 A1 \* 5/2015 Sanese ..... H02J 7/35  
 320/101  
 2015/0224923 A1 \* 8/2015 Neufeglise ..... B60Q 1/268  
 362/546  
 2015/0338073 A1 \* 11/2015 Neuer ..... F21S 8/08  
 362/285  
 2015/0377453 A1 \* 12/2015 Ji ..... F21V 13/04  
 362/607  
 2016/0061389 A1 \* 3/2016 Dong ..... F21K 9/54  
 362/297  
 2016/0076729 A1 \* 3/2016 Jin ..... B60Q 1/0041  
 362/509  
 2016/0103274 A1 \* 4/2016 Huang ..... G02B 6/0073  
 362/606  
 2016/0136312 A1 \* 5/2016 Park ..... F21V 23/003  
 362/231  
 2016/0153648 A1 \* 6/2016 Lee ..... F21V 29/763  
 362/249.01  
 2016/0153705 A1 \* 6/2016 Dubuc ..... F21V 5/046  
 312/405.1  
 2016/0178178 A1 \* 6/2016 Brumm ..... F21V 29/67  
 362/373  
 2016/0195239 A1 \* 7/2016 Jha ..... B64D 47/04  
 362/470  
 2016/0198577 A1 \* 7/2016 Janssen ..... H05K 3/3473  
 427/99.5

OTHER PUBLICATIONS

Spot Optic, image post date Oct. 12, 2015, site visited Jul. 25, 2016, (online), <[http://www.google.com/url?sa=i&rct=j&q=&esrc=s&source=images&cd=&ved=0ahUKEwiWl2z14\\_OAhVV\\_mMKHV1yDv8QjRwIBQ&url=http%3A%2F%2Fwww.star1889.com%2F\\_literature\\_131504%2F1000\\_Star\\_Phazer\\_Lightbar\\_-\\_Product\\_Flyer&bvm=bv.127984354,d.cGc&psig=AFQjCNFjmCpzH2Nr4PyYglbC9smEpSLs.\\*](http://www.google.com/url?sa=i&rct=j&q=&esrc=s&source=images&cd=&ved=0ahUKEwiWl2z14_OAhVV_mMKHV1yDv8QjRwIBQ&url=http%3A%2F%2Fwww.star1889.com%2F_literature_131504%2F1000_Star_Phazer_Lightbar_-_Product_Flyer&bvm=bv.127984354,d.cGc&psig=AFQjCNFjmCpzH2Nr4PyYglbC9smEpSLs.*)>  
 Catlin Truck Accessories, image post date Nov. 16 2015, site visited Jul. 25, 2016, (online), <[http://web.archive.org/web/20151116125905/http://www.williamcatlin.com/product-manufacturer/star-warning-systems/>.\\*](http://web.archive.org/web/20151116125905/http://www.williamcatlin.com/product-manufacturer/star-warning-systems/>.*)  
 Star Warning Systems, ULB9 Star Mini-Phantom, Star Headlight & Lantern Co., Inc., Sep. 18, 2013.  
 Star Warning Systems, ULB9S Starburst, Star Headlight & Lantern Co., Inc. Sep. 18, 2013.  
 Star Warning Systems, Starburst, DL15 Series, Star Headlight & Lantern Co., Inc., Jan. 18, 2007.

(56)

**References Cited**

OTHER PUBLICATIONS

Star Warning Systems, Product Sheet for Deckstar, DL25-HLSW, Dual Row LED Light, Dec. 2001.

Ningman, Code 3 Catalog, p. 18-19, download from [www.code3pse.com](http://www.code3pse.com) on Jan. 31, 2008.

KF2300, Code 3 Catalog, p. 4-5, download from [www.code3pse.com](http://www.code3pse.com) on Jan. 31, 2008.

LED X Exterior, LC-LED, Code 3 Catalog, p. 25, download from [www.code3pse.com](http://www.code3pse.com) on Jan. 31, 2008.

Prizm LED Reflector, Code3 Catalog, p. 24, download from [www.code3pse.com](http://www.code3pse.com) on Jan. 31, 2008.

\* cited by examiner

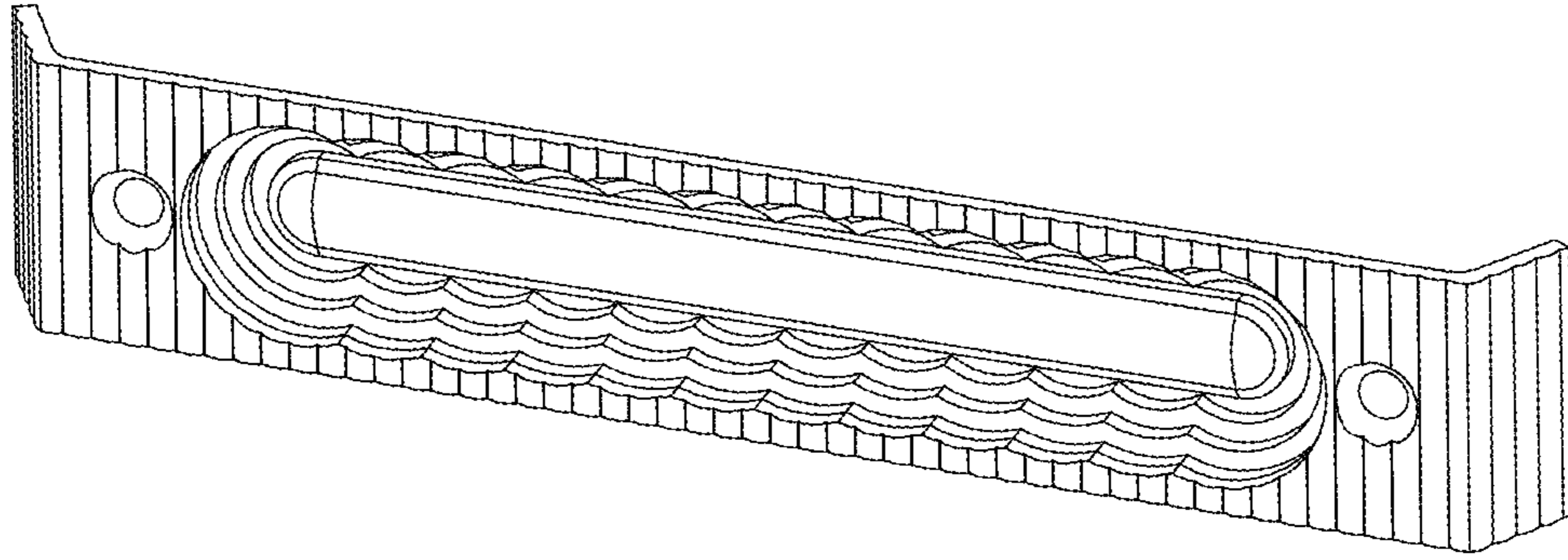


FIG. 1

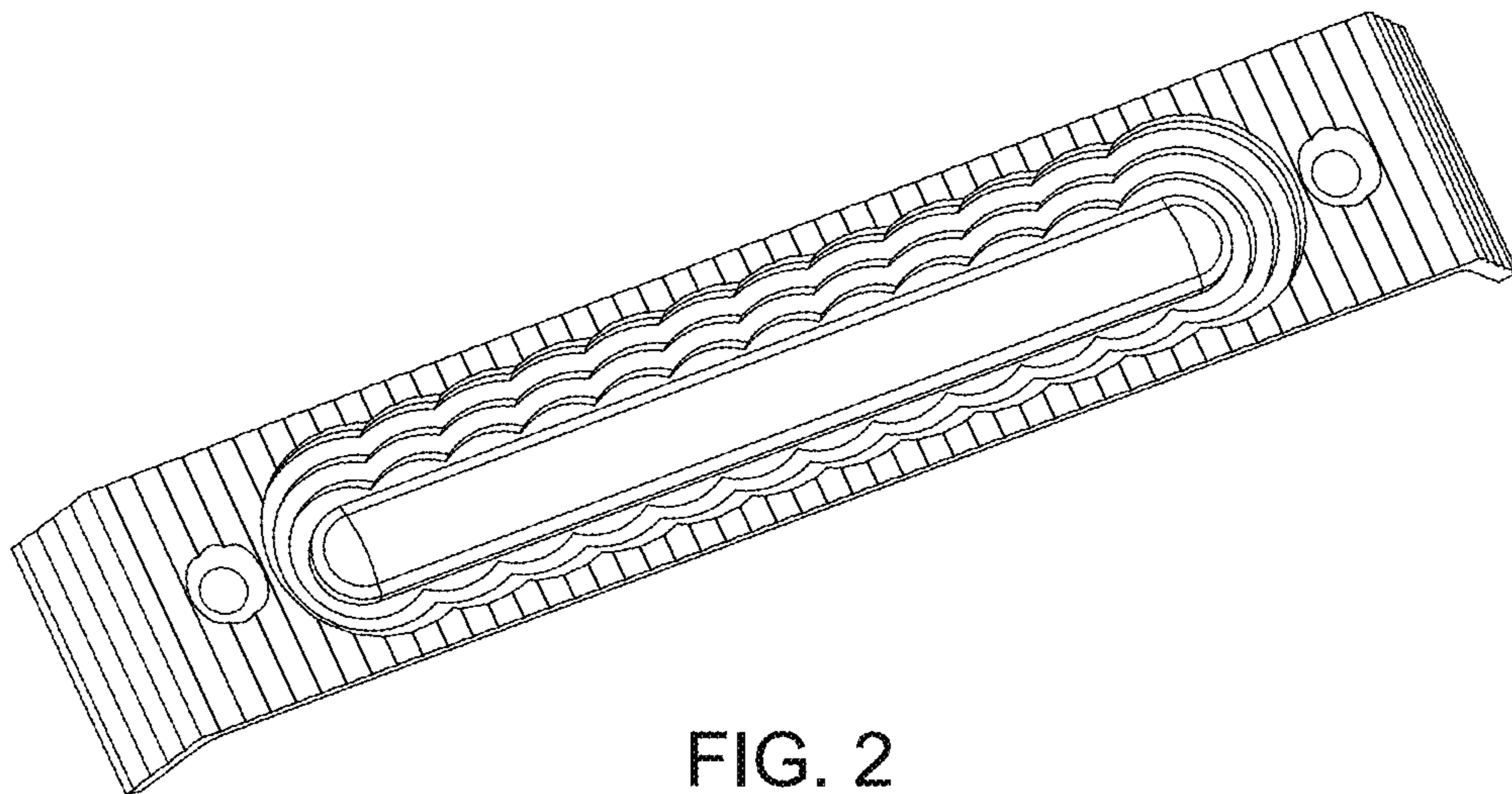


FIG. 2

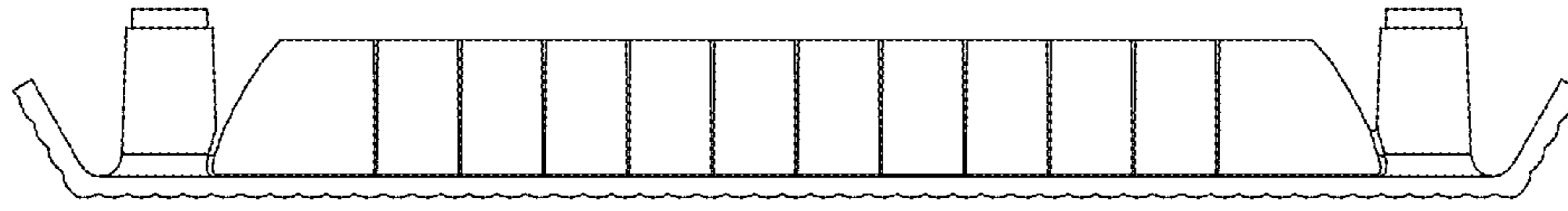


FIG. 3

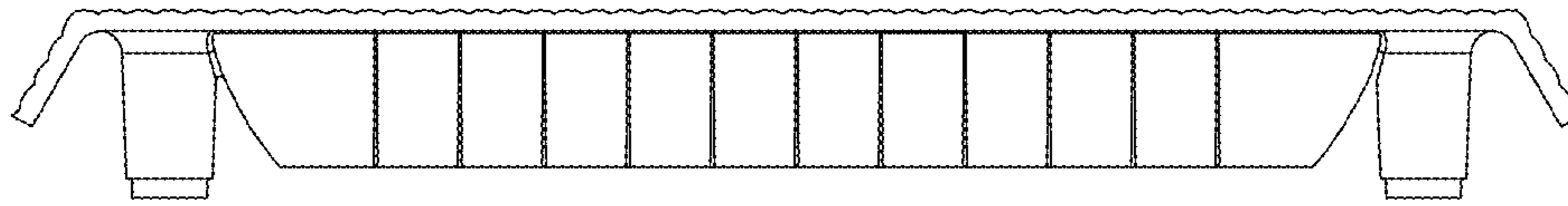


FIG. 4

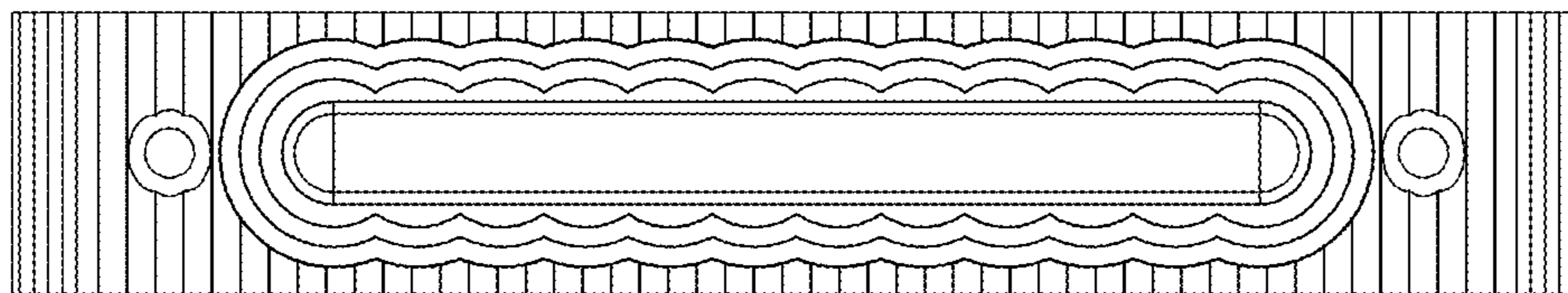


FIG. 5

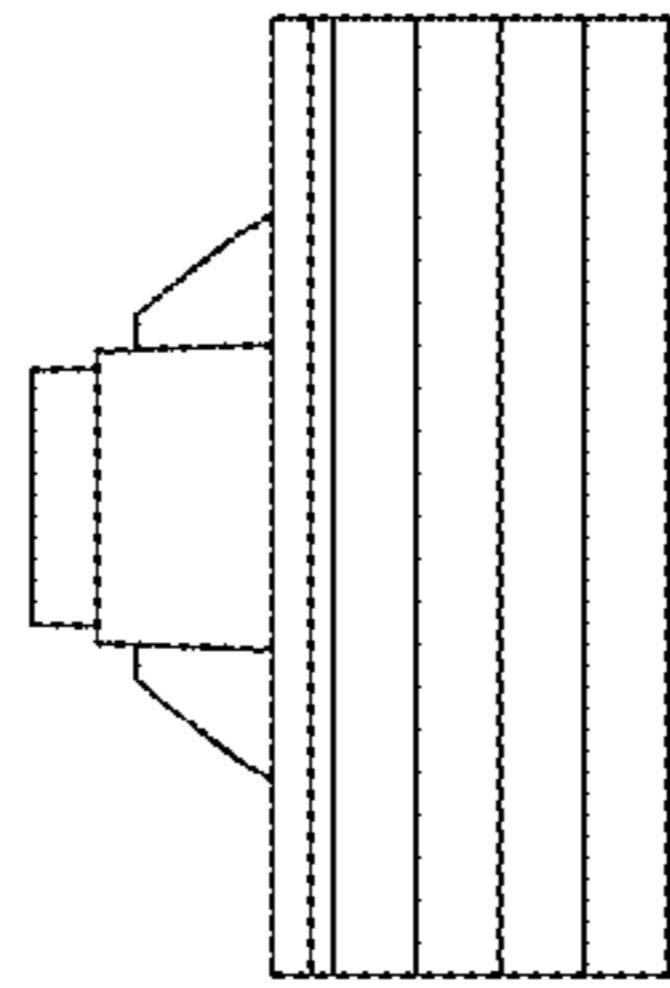


FIG. 6

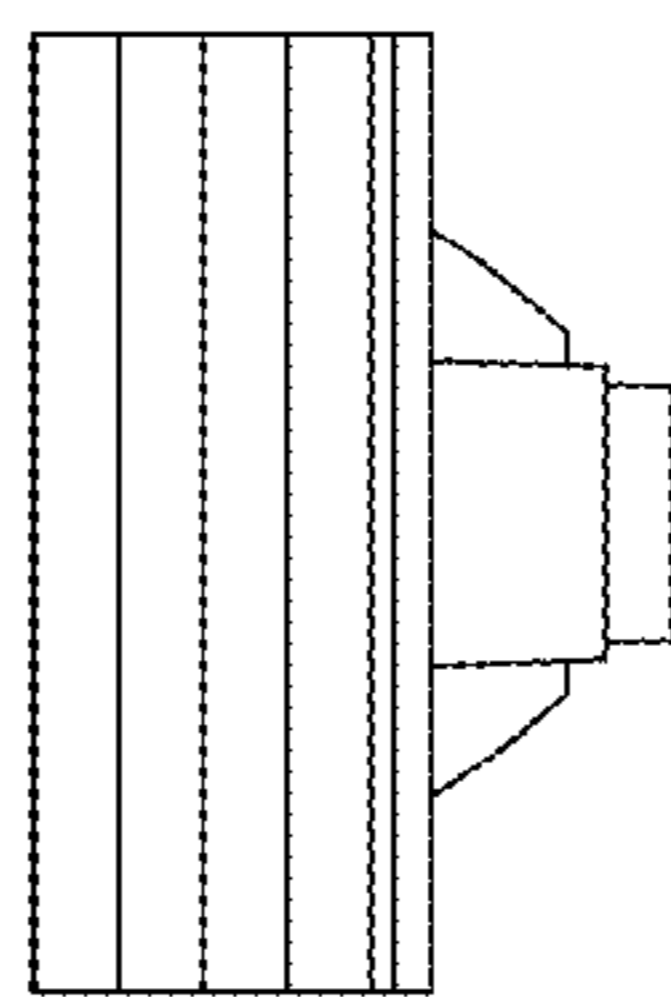


FIG. 7

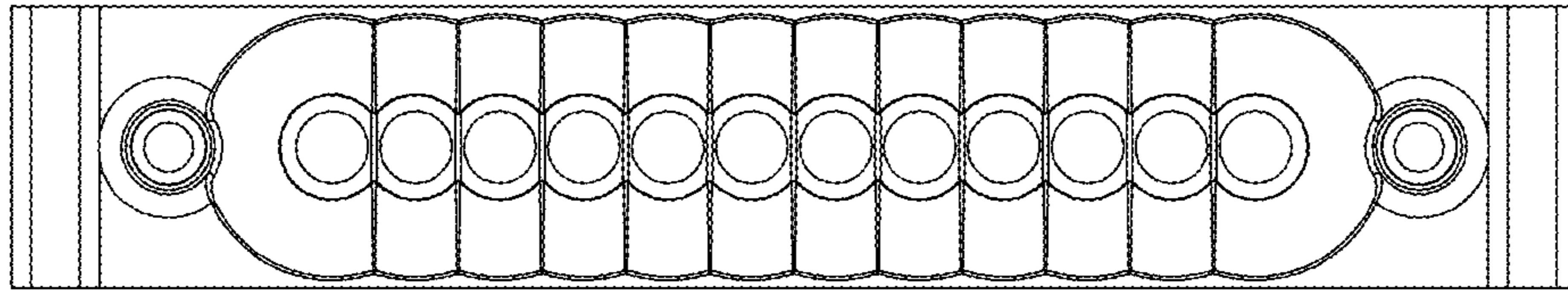


FIG. 8

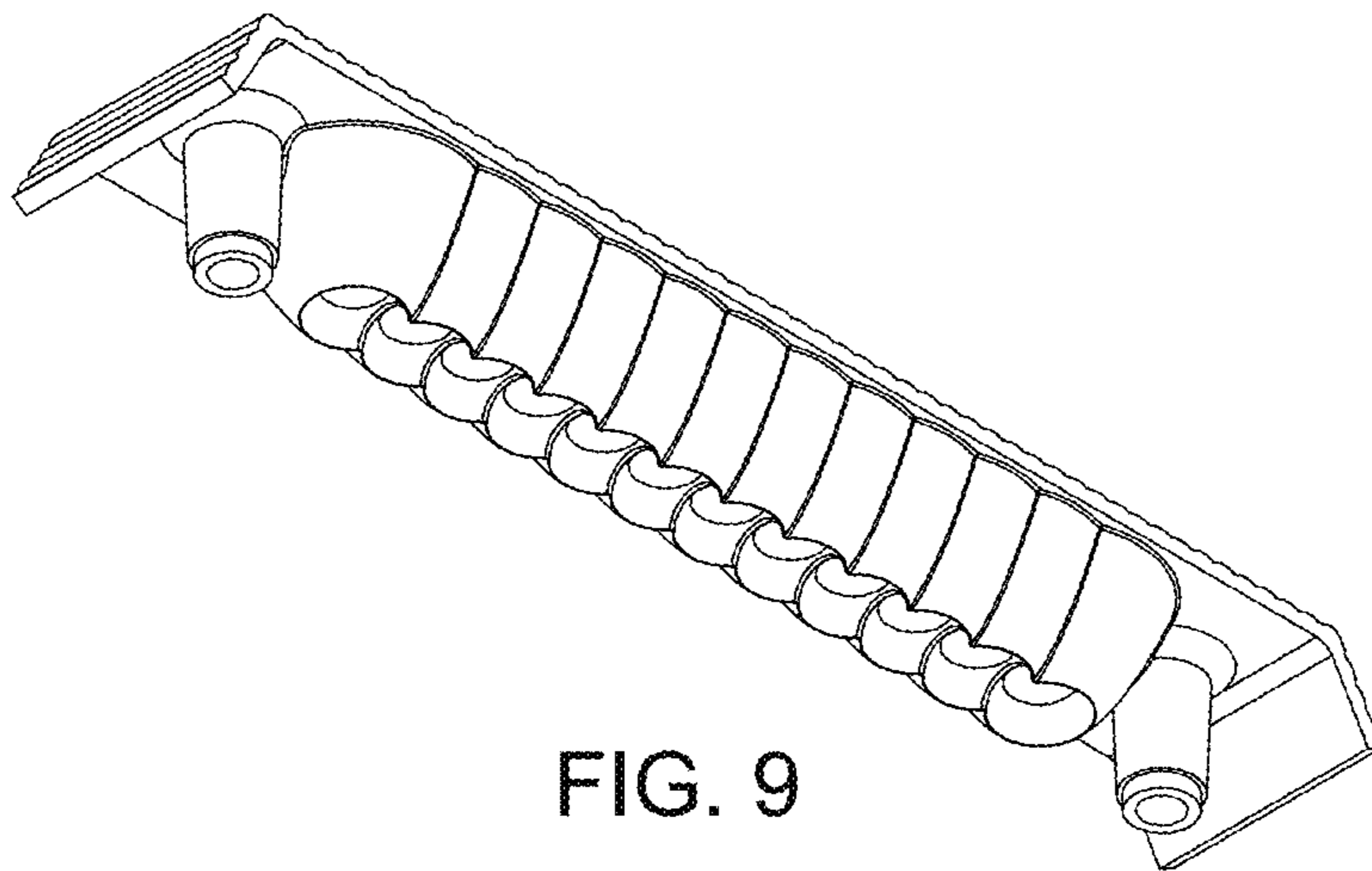


FIG. 9

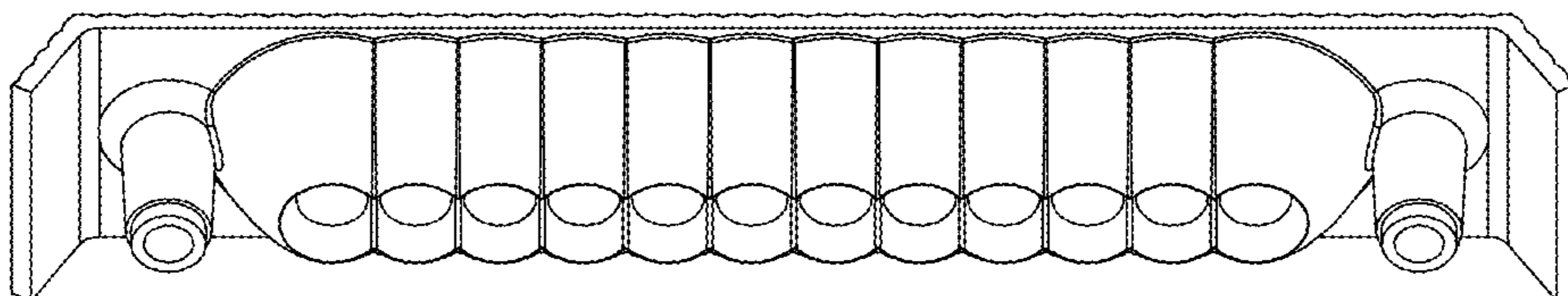


FIG. 10

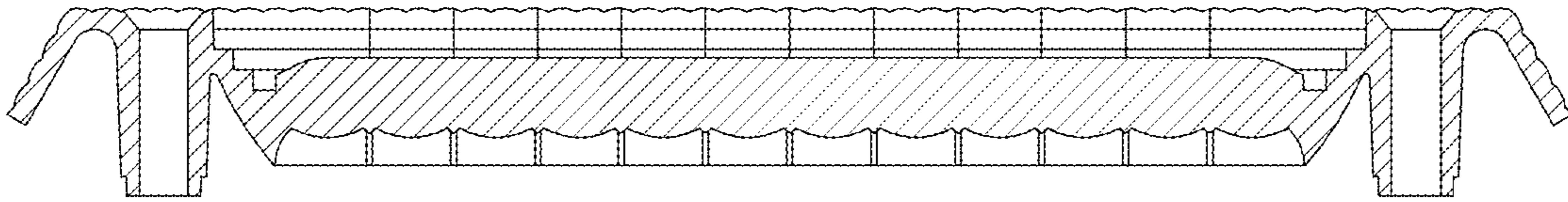


FIG. 11

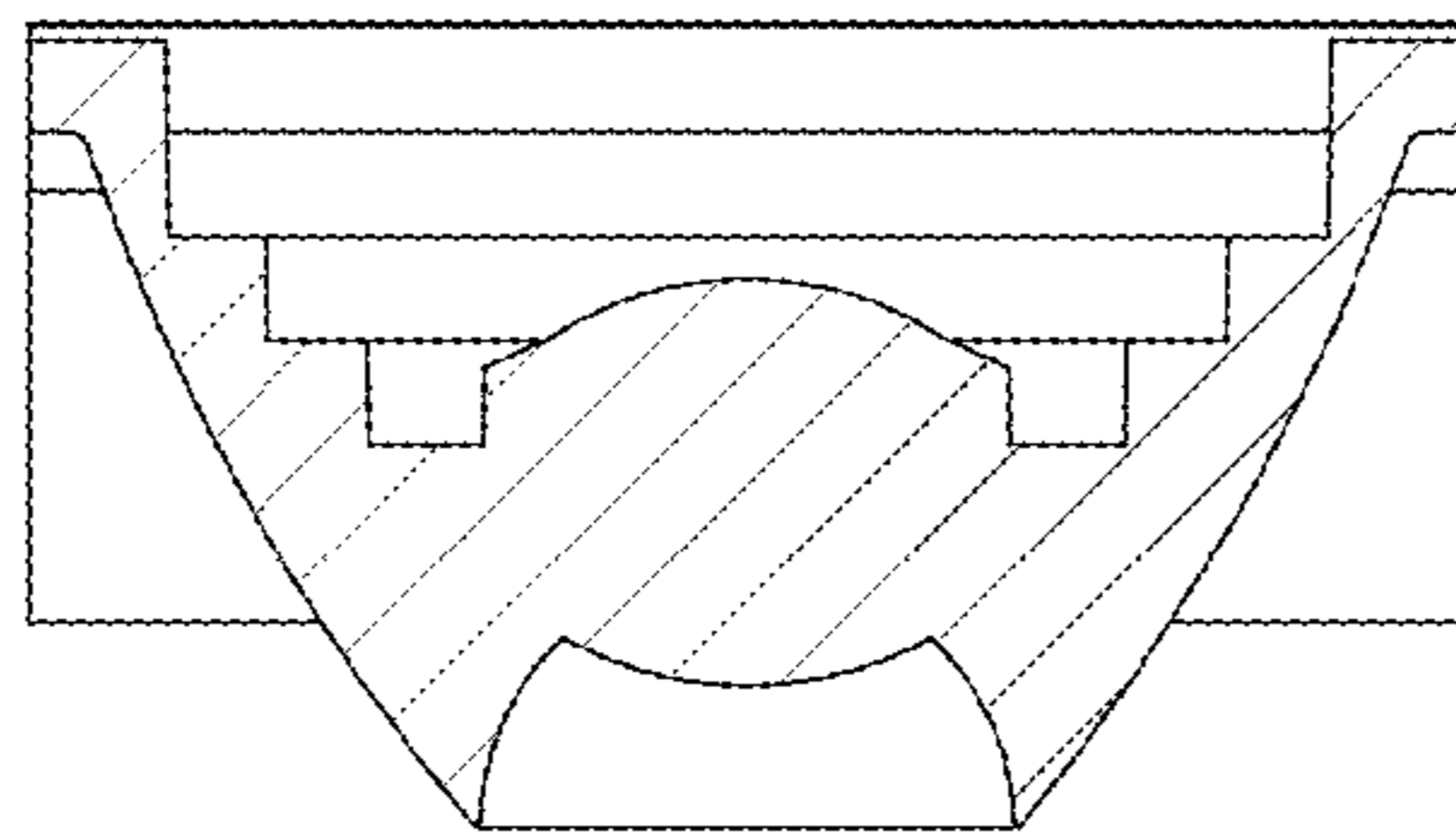


FIG. 12