



US00D775405S

(12) **United States Design Patent**
Stanley

(10) **Patent No.:** **US D775,405 S**
(45) **Date of Patent:** **** Dec. 27, 2016**

(54) **INTERCHANGEABLE REFLECTOR LIGHT FIXTURE**

(71) Applicant: **IP Holdings, LLC**, Vancouver, WA (US)

(72) Inventor: **John Stanley**, Vancouver, WA (US)

(73) Assignee: **IP Holdings, LLC**, Vancouver, WA (US)

(**) Term: **15 Years**

(21) Appl. No.: **29/538,477**

(22) Filed: **Sep. 3, 2015**

(51) **LOC (10) Cl.** **26-99**

(52) **U.S. Cl.**
USPC **D26/118**

(58) **Field of Classification Search**

USPC ... D26/9, 10, 12, 13, 15, 16, 24, 51, 61, 72,
D26/76, 80, 81, 85, 86, 88, 90, 113, 118,
D26/119, 120, 122, 128, 129, 138, 143,
D26/144

(Continued)

(56) **References Cited**

U.S. PATENT DOCUMENTS

D135,375 S 3/1943 Biller
2,740,883 A 4/1956 Michael

(Continued)

OTHER PUBLICATIONS

Horticultural Lights, image post date Jul. 7, 2014, site visited Sep. 30, 2015 (online), <<http://web.archive.org/web/20140707223459/http://www.kindgreenbuds.com/cannabis-grow-bible/best-lighting-systems/>>.

(Continued)

Primary Examiner — Brian N Vinson

(74) *Attorney, Agent, or Firm* — J. Douglas Wells

(57) **CLAIM**

The ornamental design for an interchangeable reflector light fixture, as shown and described.

DESCRIPTION

FIG. 1 is a perspective view of a first embodiment of an interchangeable reflector light fixture, as viewed from above, showing my new design;

FIG. 2 is a reflector component of the interchangeable reflector light fixture shown in FIG. 1, as viewed from above;

FIG. 3 is a reflector component of the interchangeable reflector light fixture shown in FIG. 1, as viewed from below;

FIG. 4 is a left side view of the light fixture shown in FIG. 1;

FIG. 5 is a right side view of the light fixture shown in FIG. 1;

FIG. 6 is a front elevation view of the light fixture shown in FIG. 1;

FIG. 7 is a rear elevation view of the light fixture shown in FIG. 1;

FIG. 8 is a bottom plan view of the light fixture shown in FIG. 1;

FIG. 9 is a top plan view of the light fixture shown in FIG. 1;

FIG. 10 is a perspective view of a second embodiment of an interchangeable reflector light fixture, as viewed from above, showing my new design;

FIG. 11 is a reflector component of the interchangeable reflector light fixture shown in FIG. 10, as viewed from above;

FIG. 12 is a reflector component of the interchangeable reflector light fixture shown in FIG. 10, as viewed from below;

FIG. 13 is a left side view of the light fixture shown in FIG. 10;

FIG. 14 is a right side view of the light fixture shown in FIG. 10;

FIG. 15 is a front elevation view of the light fixture shown in FIG. 10;

FIG. 16 is a rear elevation view of the light fixture shown in FIG. 10;

FIG. 17 is a bottom plan view of the light fixture shown in FIG. 10;

(Continued)

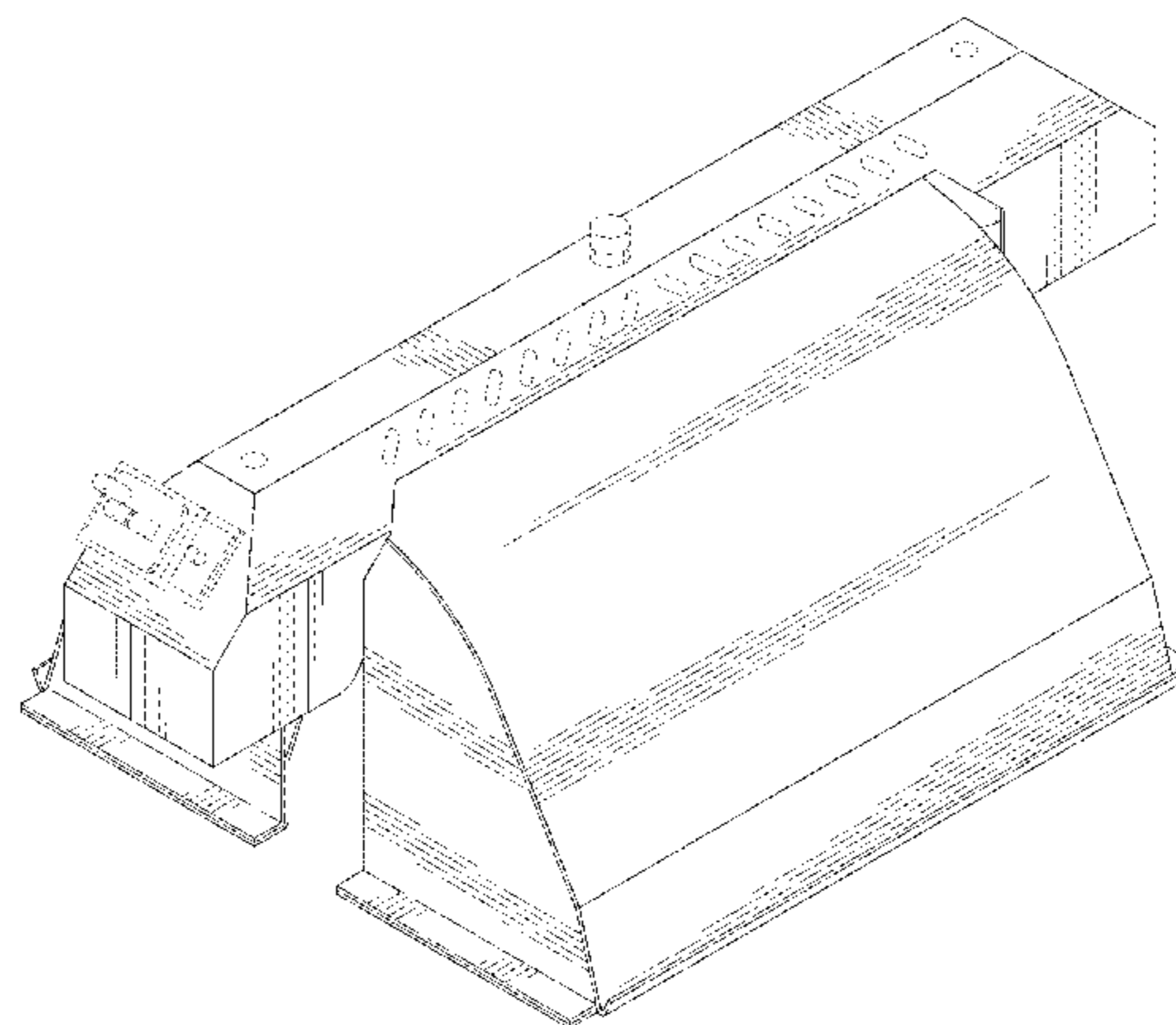
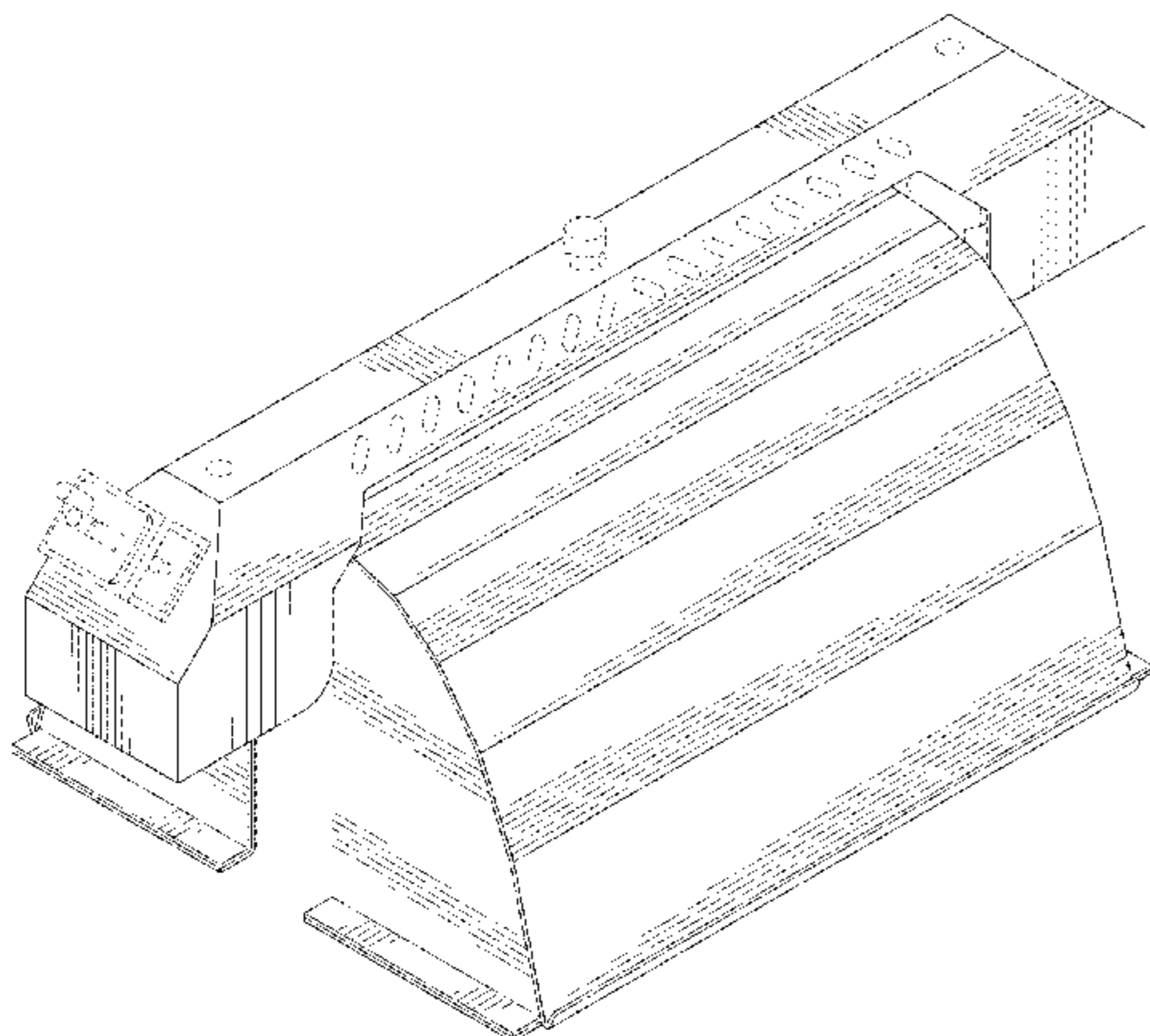


FIG. 18 is a top plan view of the light fixture shown in FIG. 10;

FIG. 19 is a perspective view of a reflector engaging component of an interchangeable reflector light fixture, as viewed from above, showing my new design;

FIG. 20 is a perspective view of the reflector engaging component of an interchangeable reflector light fixture, as viewed from below, shown in FIG. 19;

FIG. 21 is a left side view of the reflector engaging component of an interchangeable reflector light fixture, shown in FIG. 19;

FIG. 22 is a right side view of the reflector engaging component of an interchangeable reflector light fixture, shown in FIG. 19;

FIG. 23 is a front elevation view of the reflector engaging component of an interchangeable reflector light fixture, shown in FIG. 19;

FIG. 24 is a rear elevation view of the reflector engaging component of an interchangeable reflector light fixture, shown in FIG. 19;

FIG. 25 is a top plan view of the reflector engaging component of an interchangeable reflector light fixture, shown in FIG. 19; and,

FIG. 26 is a bottom plan view of the reflector engaging component of an interchangeable reflector light fixture, shown in FIG. 19.

The broken-line disclosure shown in the views is understood to represent portions of the article in which the claimed design is embodied, but which form no part of the claimed design.

1 Claim, 19 Drawing Sheets

(58) **Field of Classification Search**

CPC B60Q 1/04; B60Q 1/26; F21S 8/026; F21S 8/04; F21V 29/004; F21V 21/02; F21V 21/04; F21V 29/2212; F21V 7/22; F21V 29/83; F21V 37/002; F21V 7/00; F21L 19/00; F23D 11/443; F21Y 2101/02; A61L 9/037

See application file for complete search history.

(56) **References Cited**

U.S. PATENT DOCUMENTS

3,272,978	A	9/1966	Jackson	
D268,287	S	3/1983	Boschetti	
4,531,180	A	7/1985	Hernandez	
4,933,821	A	6/1990	Anderson	
D352,126	S	11/1994	Ruud	
D377,234	S	1/1997	Roberts	
D428,516	S *	7/2000	Reo	D26/118
D447,272	S *	8/2001	Smith	D26/118

D456,938	S *	5/2002	Wardenburg	D26/118
6,527,422	B1	3/2003	Hutchinson	
D542,460	S	5/2007	Hargreaves	
D543,652	S *	5/2007	Hargreaves	D26/118
D544,131	S	6/2007	Blackman	
D544,139	S	6/2007	Hargreaves	
D544,983	S	6/2007	Hargreaves	
D544,984	S	6/2007	Hargreaves	
D544,987	S	6/2007	Hargreaves	
D544,995	S *	6/2007	Hargreaves	D26/118
D545,484	S *	6/2007	Hargreaves	D26/118
D545,485	S *	6/2007	Hargreaves	D26/118
D586,030	S	2/2009	Genova	
D613,900	S	4/2010	Hargreaves	
D614,801	S *	4/2010	Collins	D26/118
7,722,208	B1	5/2010	Dupre	
7,722,228	B2	5/2010	Broer	
D634,060	S *	3/2011	Wardenburg	D26/118
D634,469	S *	3/2011	Hargreaves	D26/118
D637,162	S	5/2011	Bridgman	
7,959,331	B2	6/2011	Ho	
D672,911	S	12/2012	Mayfield	
D675,369	S *	1/2013	Michaud	D26/118
8,348,481	B2	1/2013	Chang	
D693,959	S *	11/2013	Boyer	D26/118
D698,986	S *	2/2014	Reynolds	D26/118
8,905,575	B2 *	12/2014	Durkee	F21V 7/0008 362/218
D725,819	S	3/2015	Reynolds	
9,010,970	B2	4/2015	Guercio	
9,016,907	B2	4/2015	Stanley	
D731,701	S *	6/2015	Hargreaves	D26/118
D732,233	S	6/2015	Reynolds	
D732,235	S *	6/2015	Reynolds	D26/118
D732,236	S *	6/2015	Reynolds	D26/118
D736,450	S *	8/2015	Reynolds	D26/118
D737,134	S	8/2015	Thompson	
D737,498	S	8/2015	Stanley	
9,110,209	B2	8/2015	Blessitt	
D739,595	S	9/2015	Reynolds	
D740,486	S *	10/2015	Stanley	D26/118
D747,029	S *	1/2016	Reynolds	D26/118
D748,849	S *	2/2016	Stanley	D26/118
D750,316	S *	2/2016	Reynolds	D26/118
D751,244	S *	3/2016	Reynolds	D26/118
D751,247	S *	3/2016	Reynolds	D26/118
2001/0023173	A1	9/2001	Schiedegger et al.	
2002/0141195	A1	10/2002	Wardenburg	
2009/0262540	A1	10/2009	Hargreaves	
2009/0323335	A1	12/2009	Yang	
2013/0083539	A1	4/2013	Dimitriadis	

OTHER PUBLICATIONS

Horticultural Lighting, image post date Sep. 2008, site visted Sep. 30, 2015, (online), <<http://www.dendroboard.com/forum/sponsor-classifieds/104681-grow-your-own-plants-horticulture-neherp.html>>.

Steel S Section, image post date Aug. 30, 2000, site visted Sep. 30, 2015 (online), <<http://web.archive.org/web/20000830093120/http://www.efunda.com/math/areas/RolledSteelBeamsS.cfm>>.

* cited by examiner

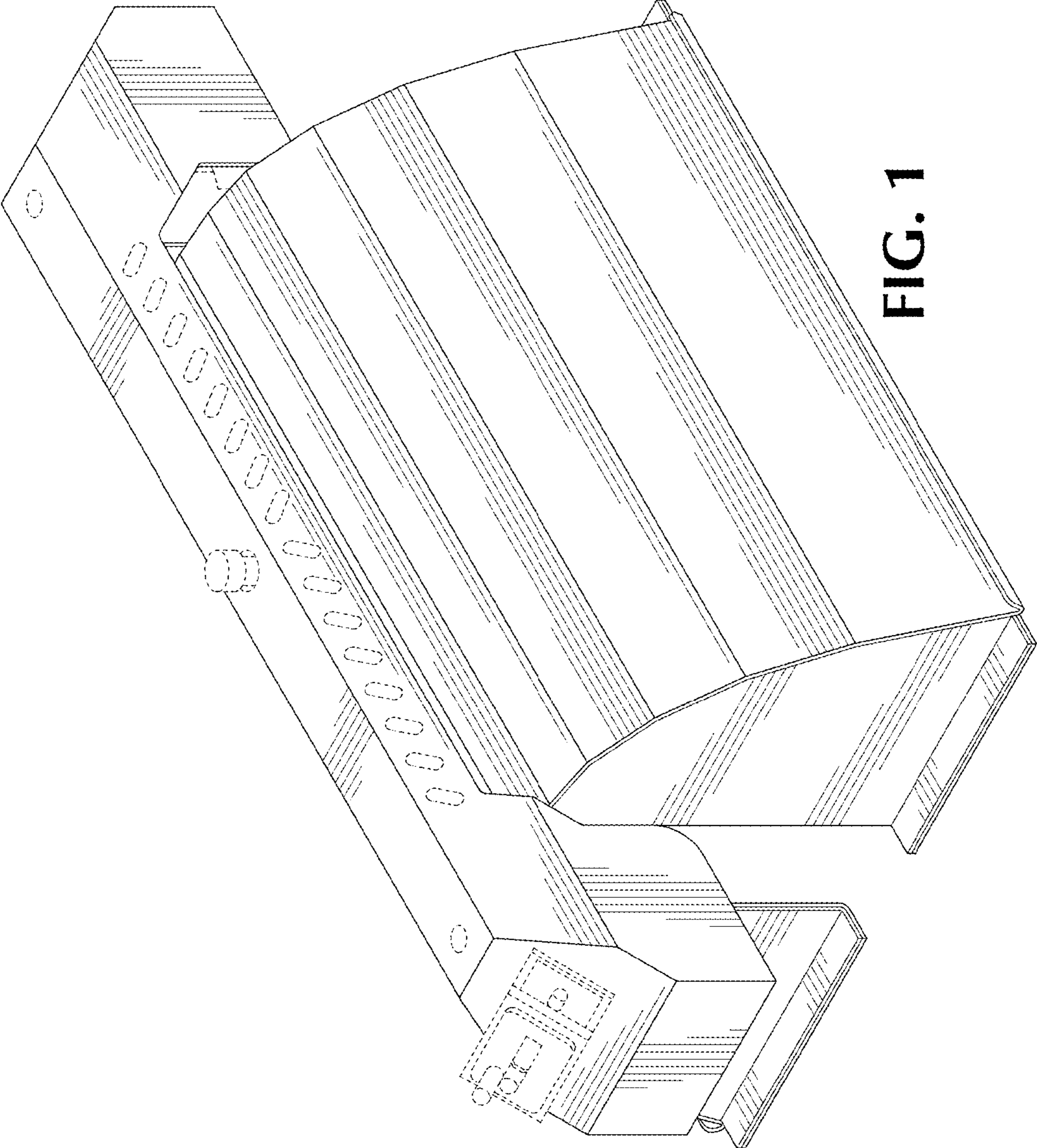


FIG. 1

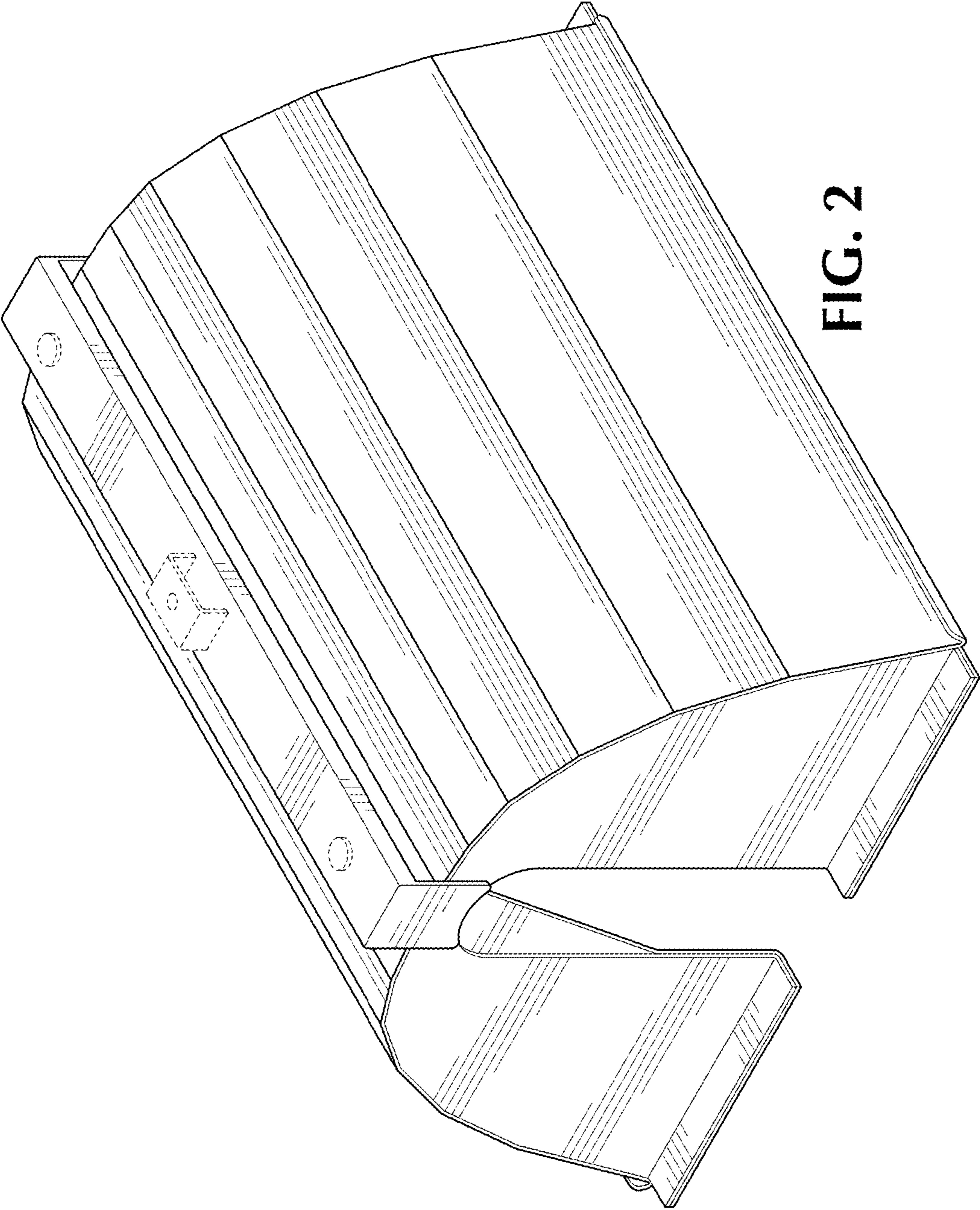


FIG. 2

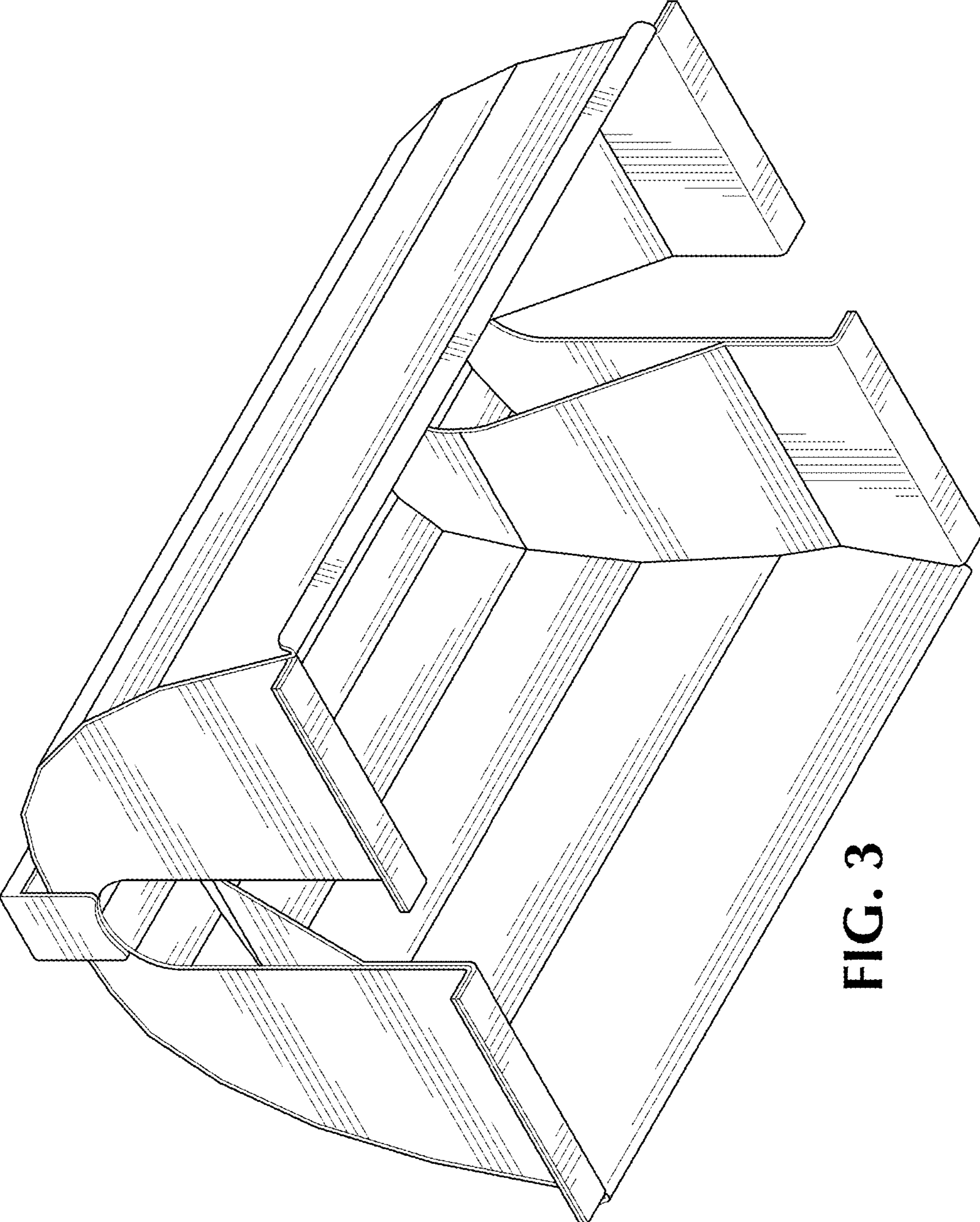


FIG. 3

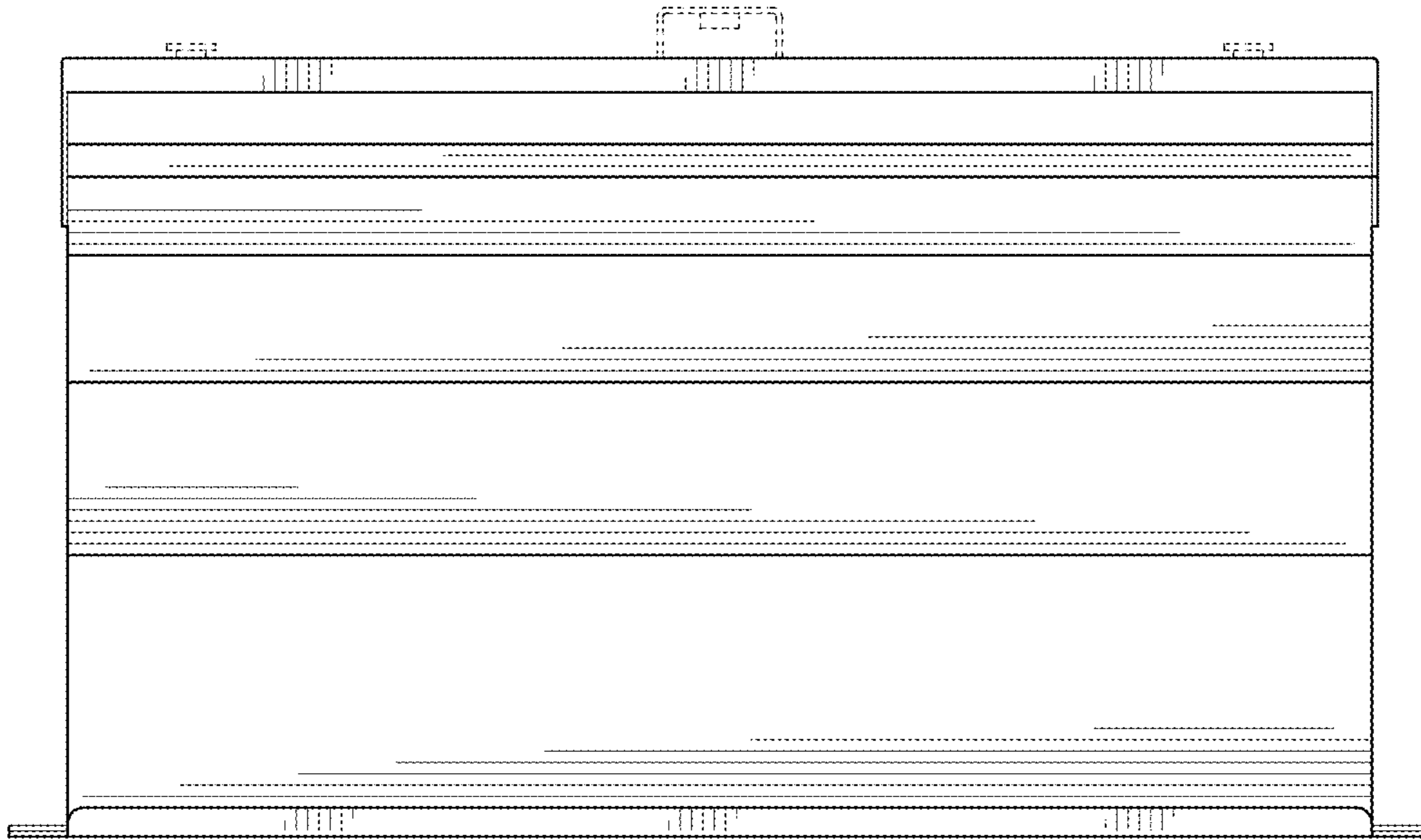


FIG. 4

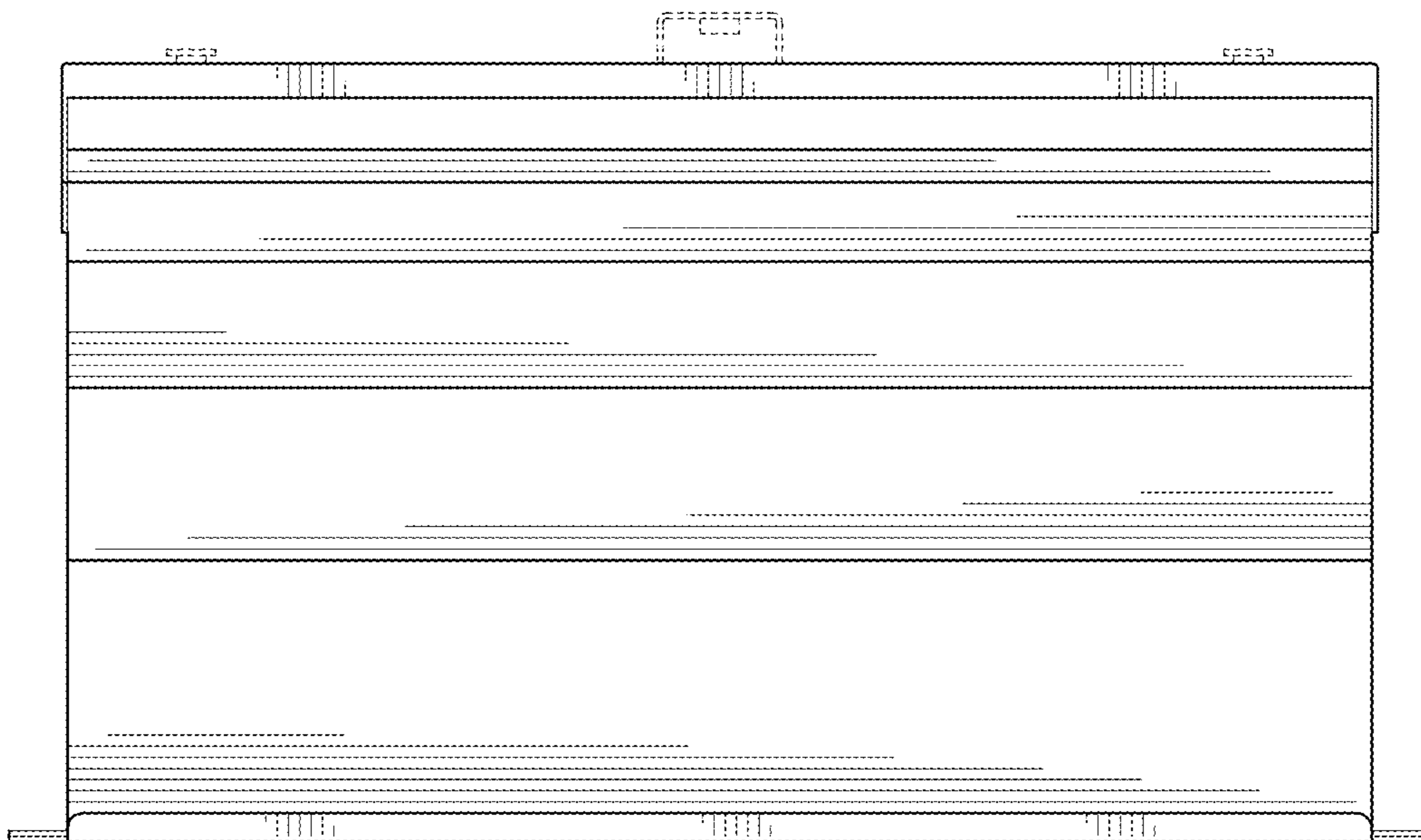


FIG. 5

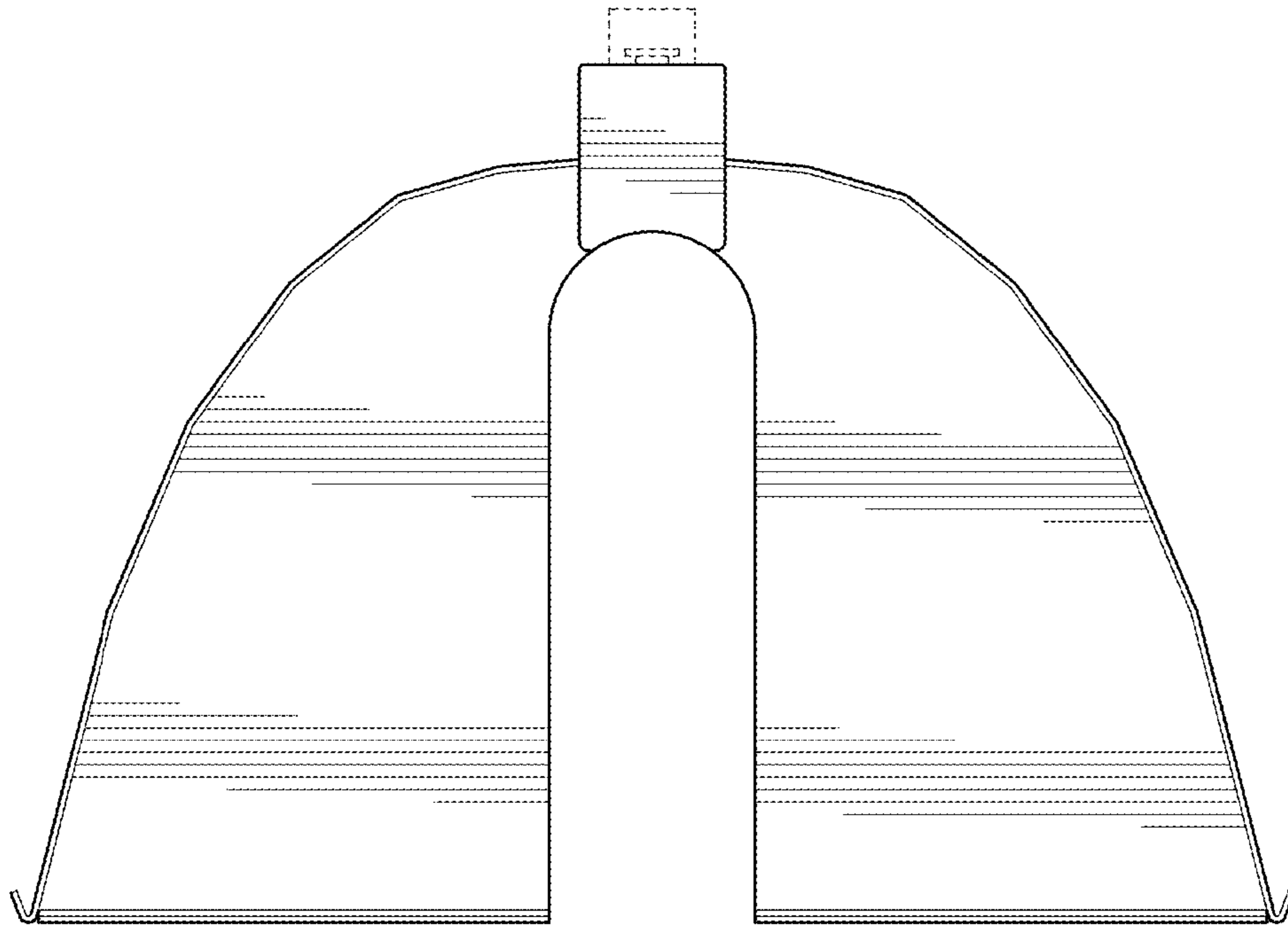


FIG. 6

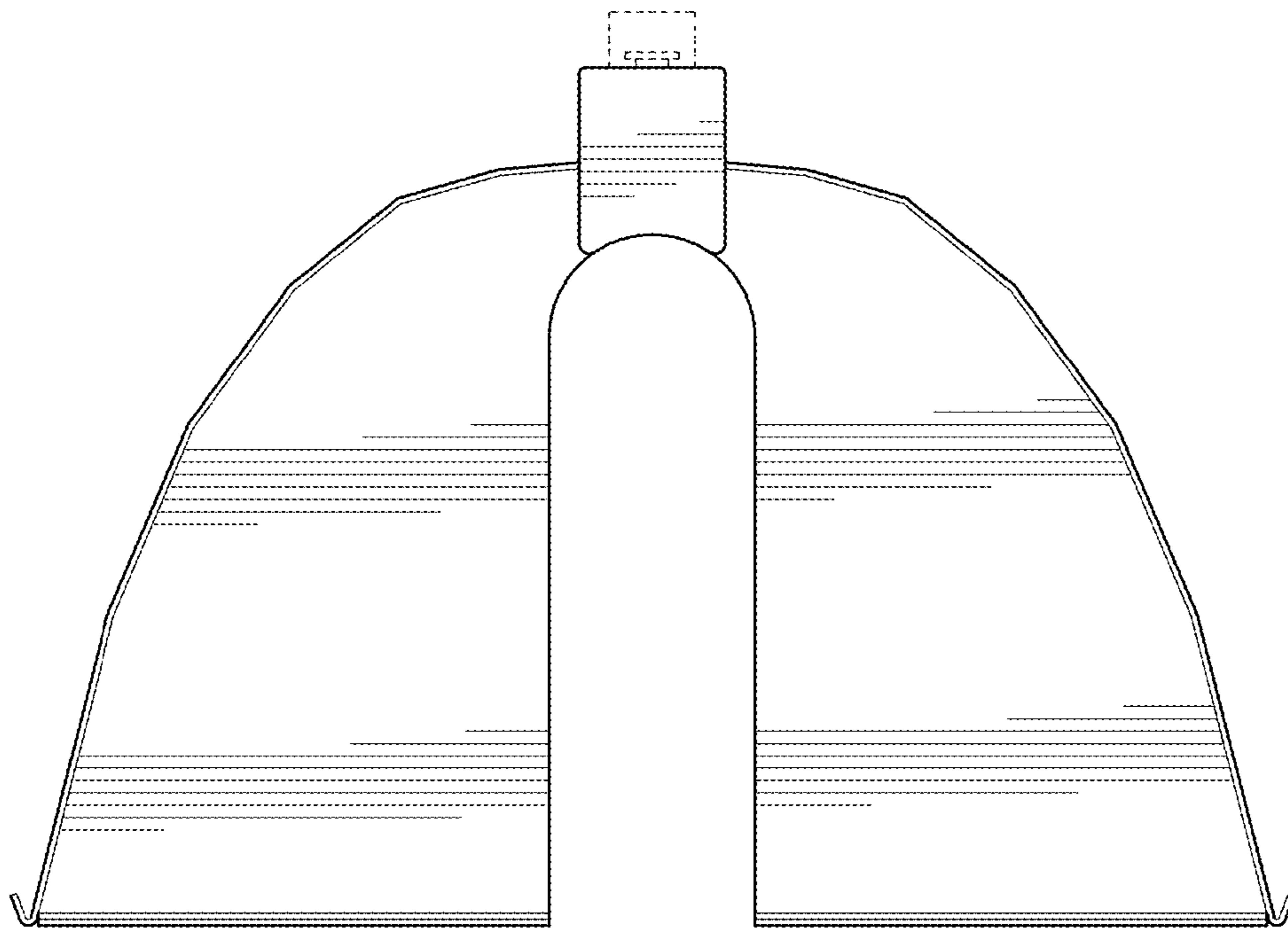


FIG. 7

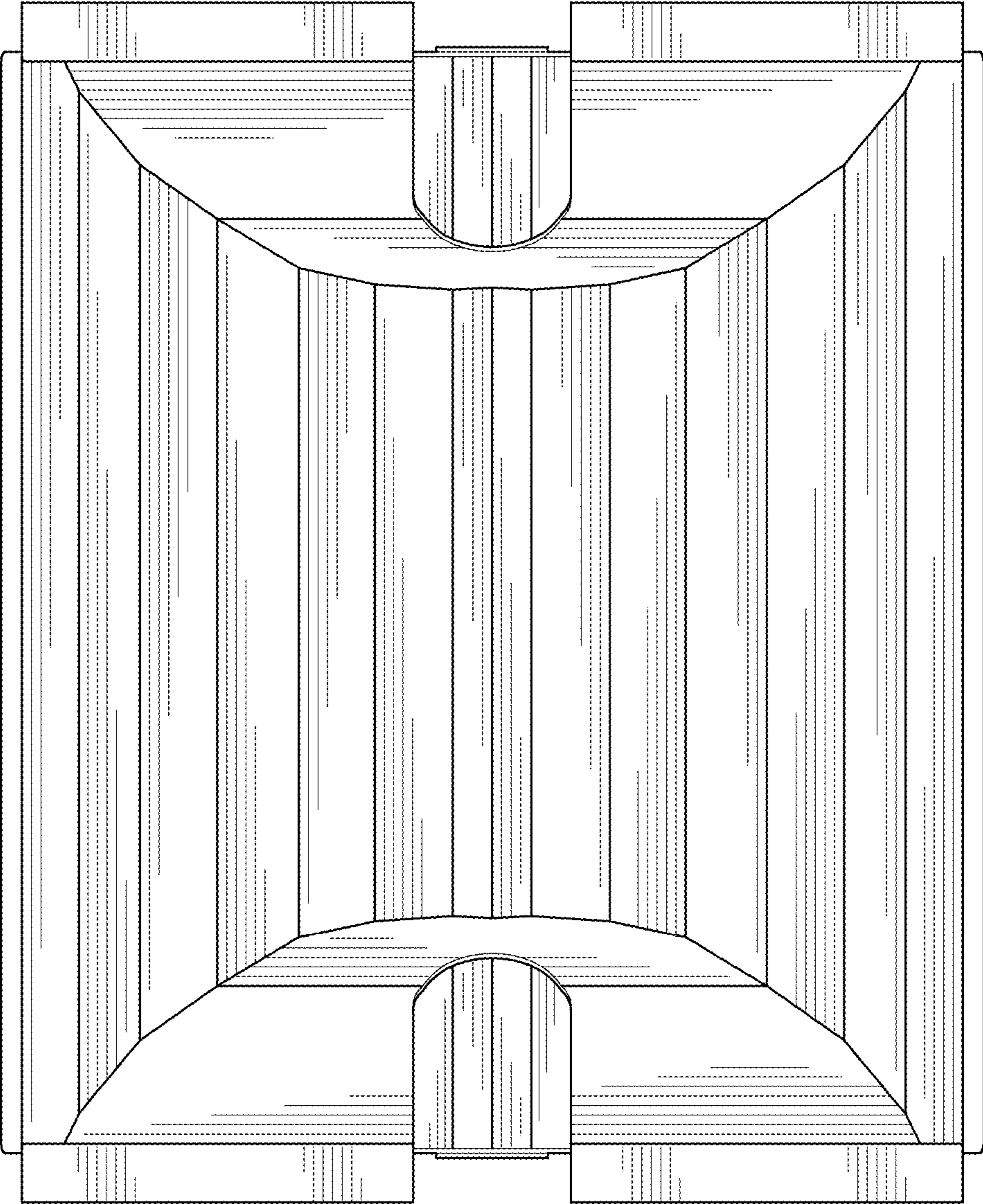


FIG. 8

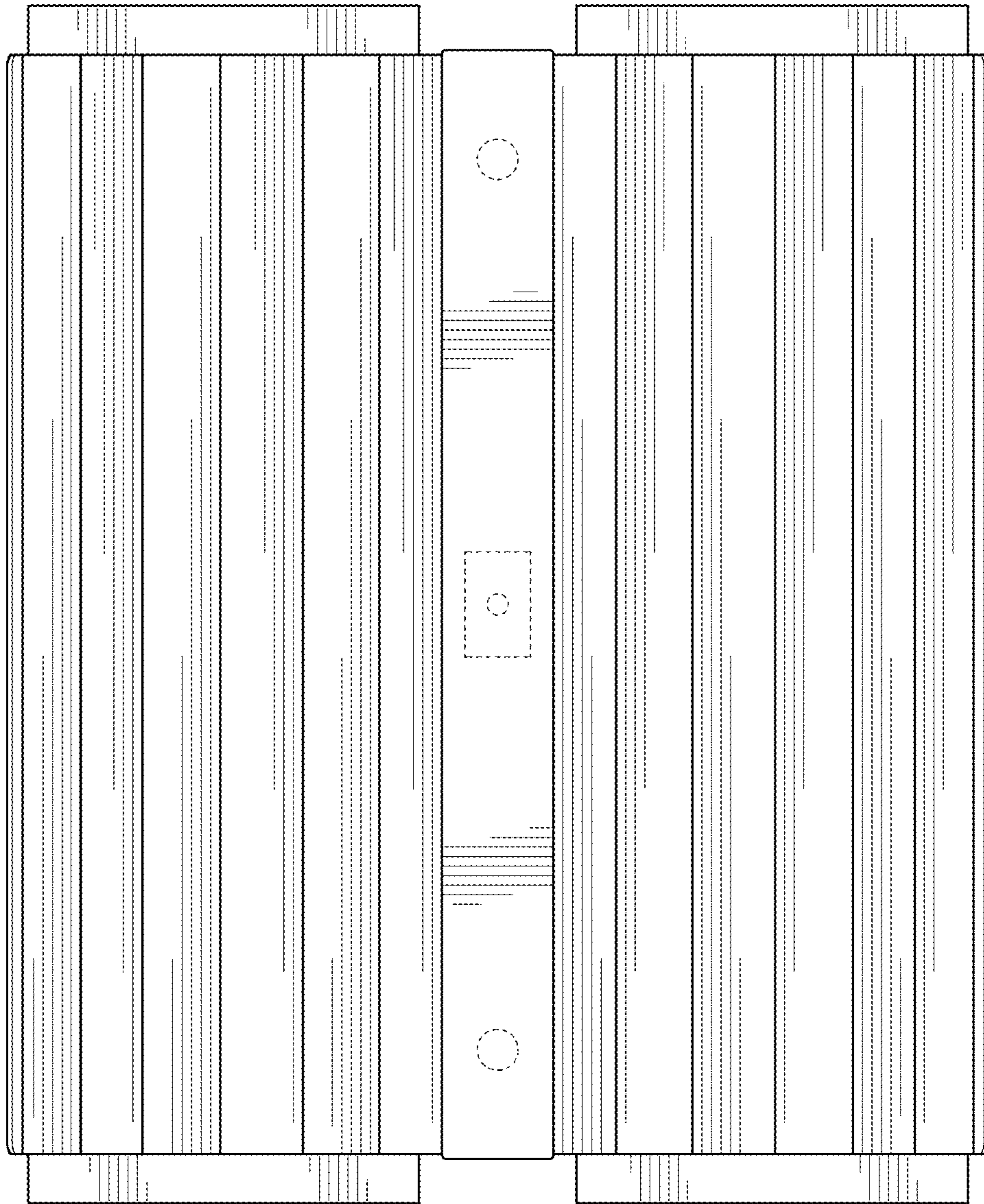
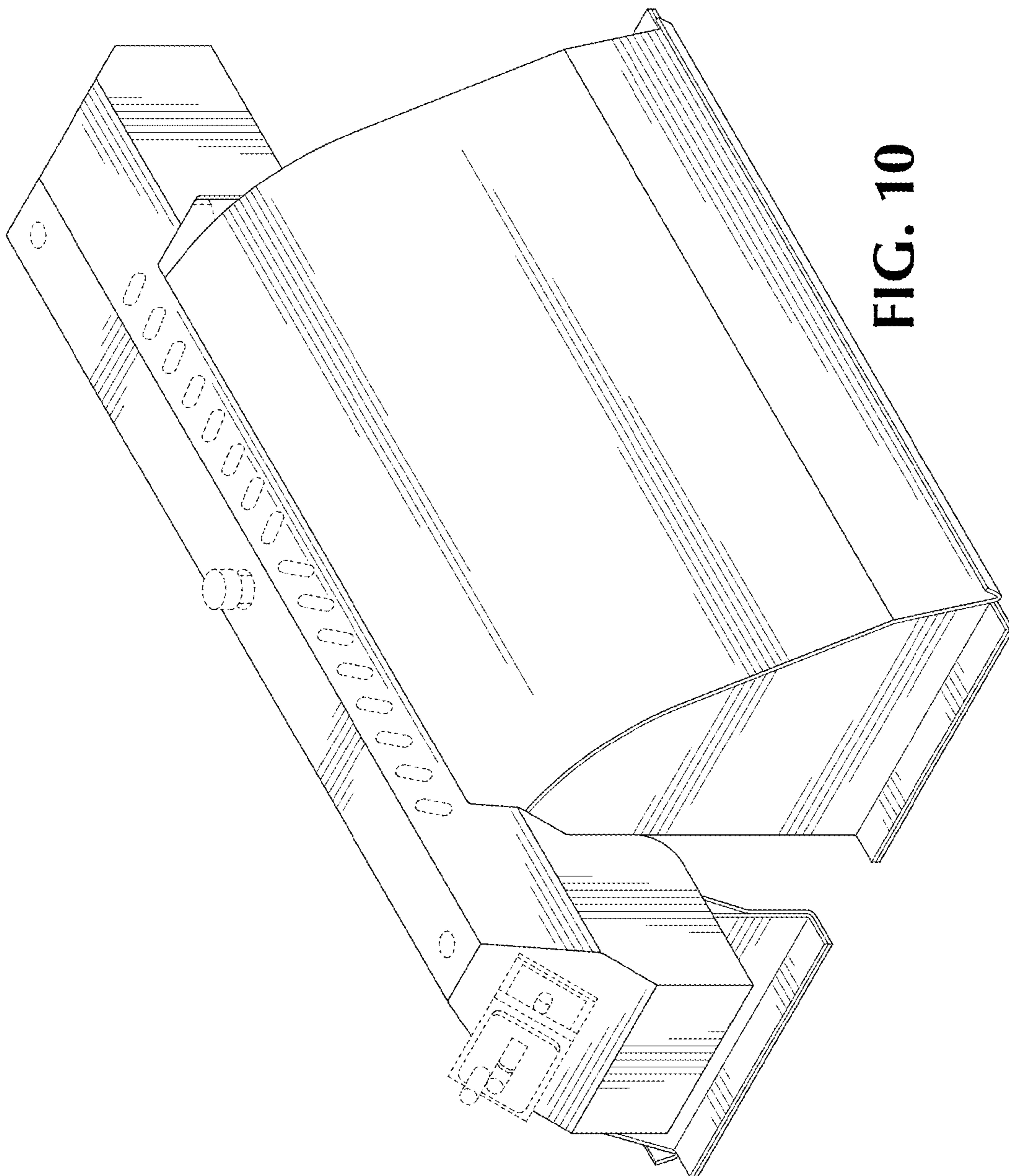


FIG. 9



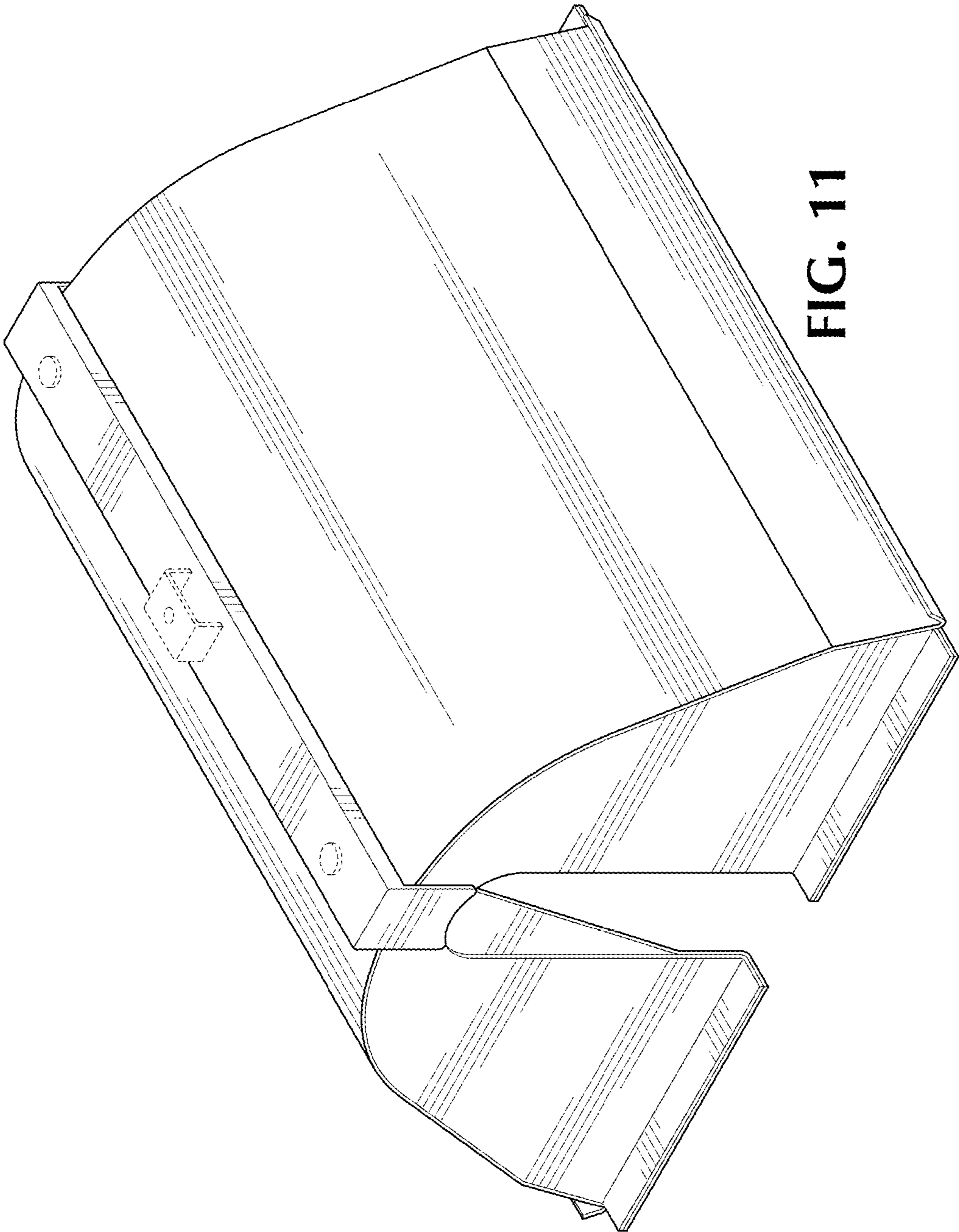


FIG. 11

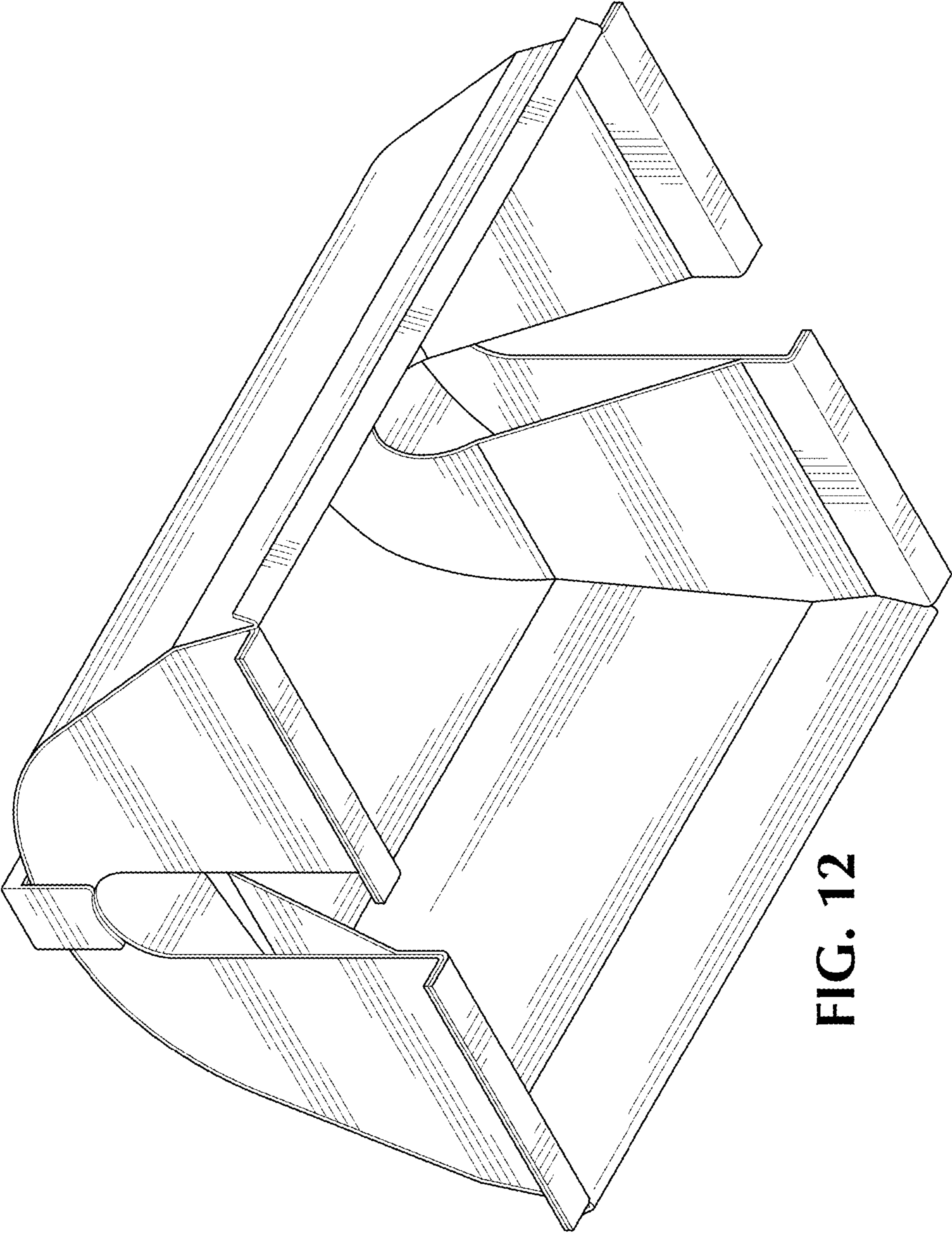


FIG. 12

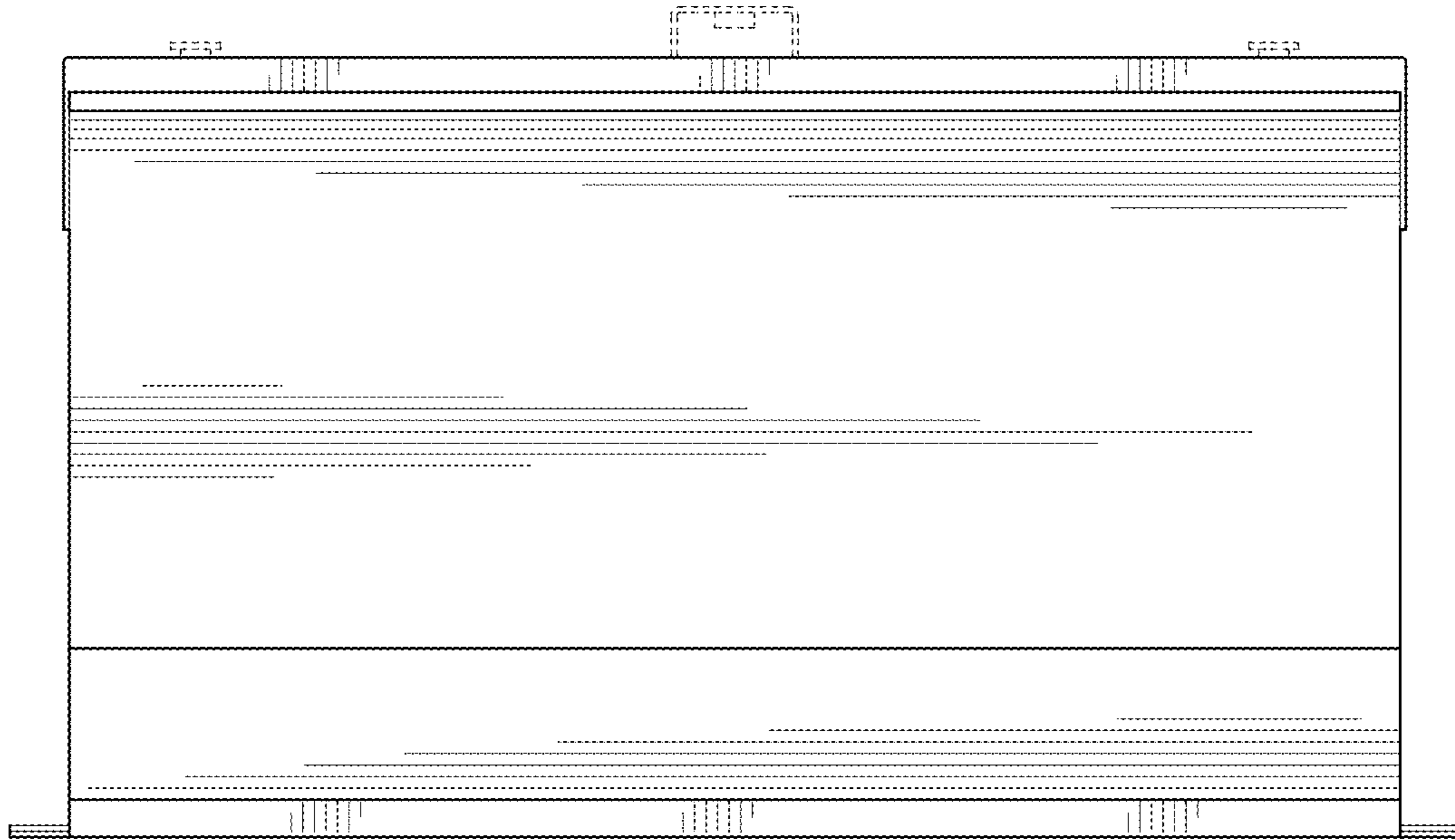


FIG. 13

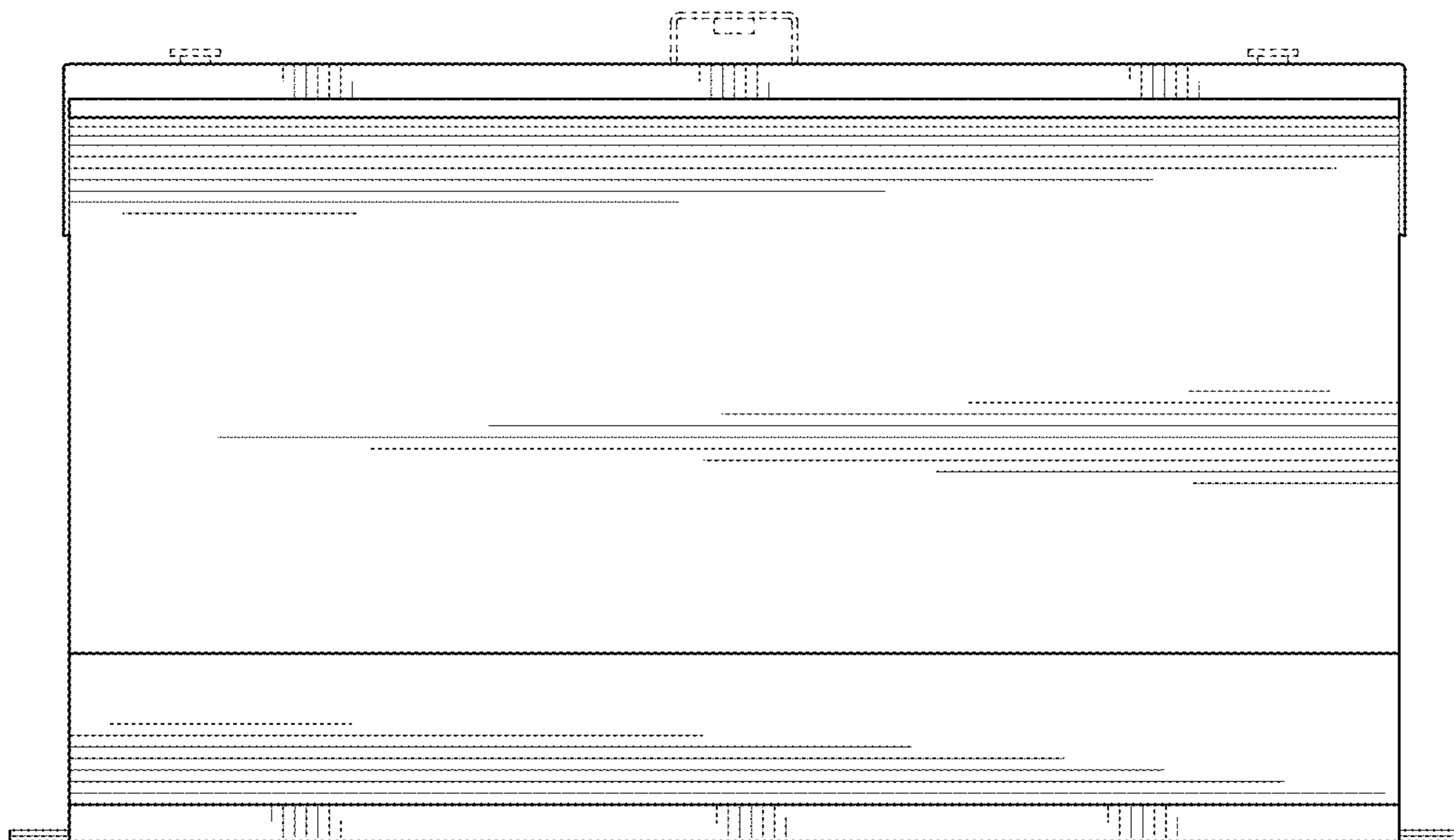


FIG. 14

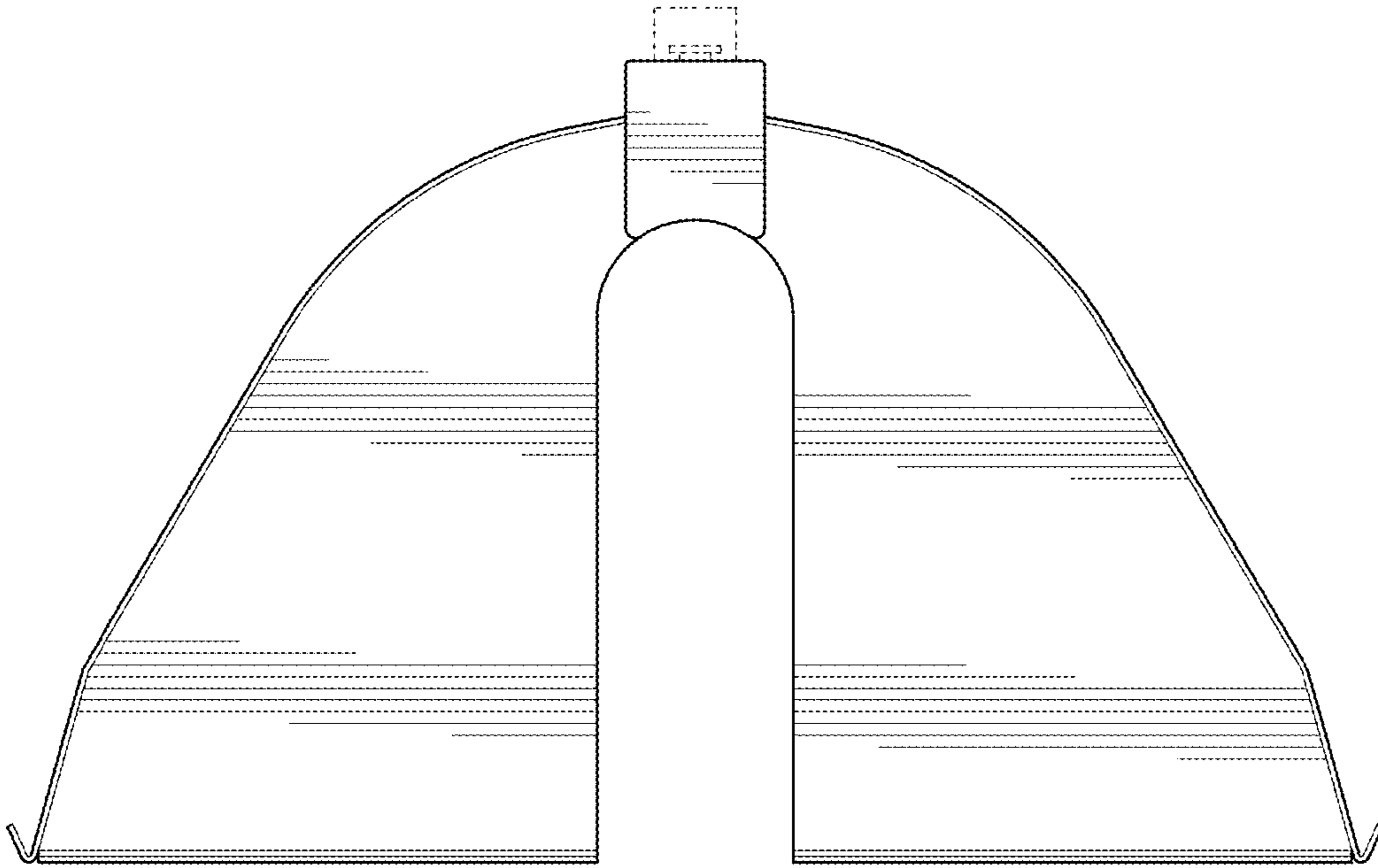


FIG. 15

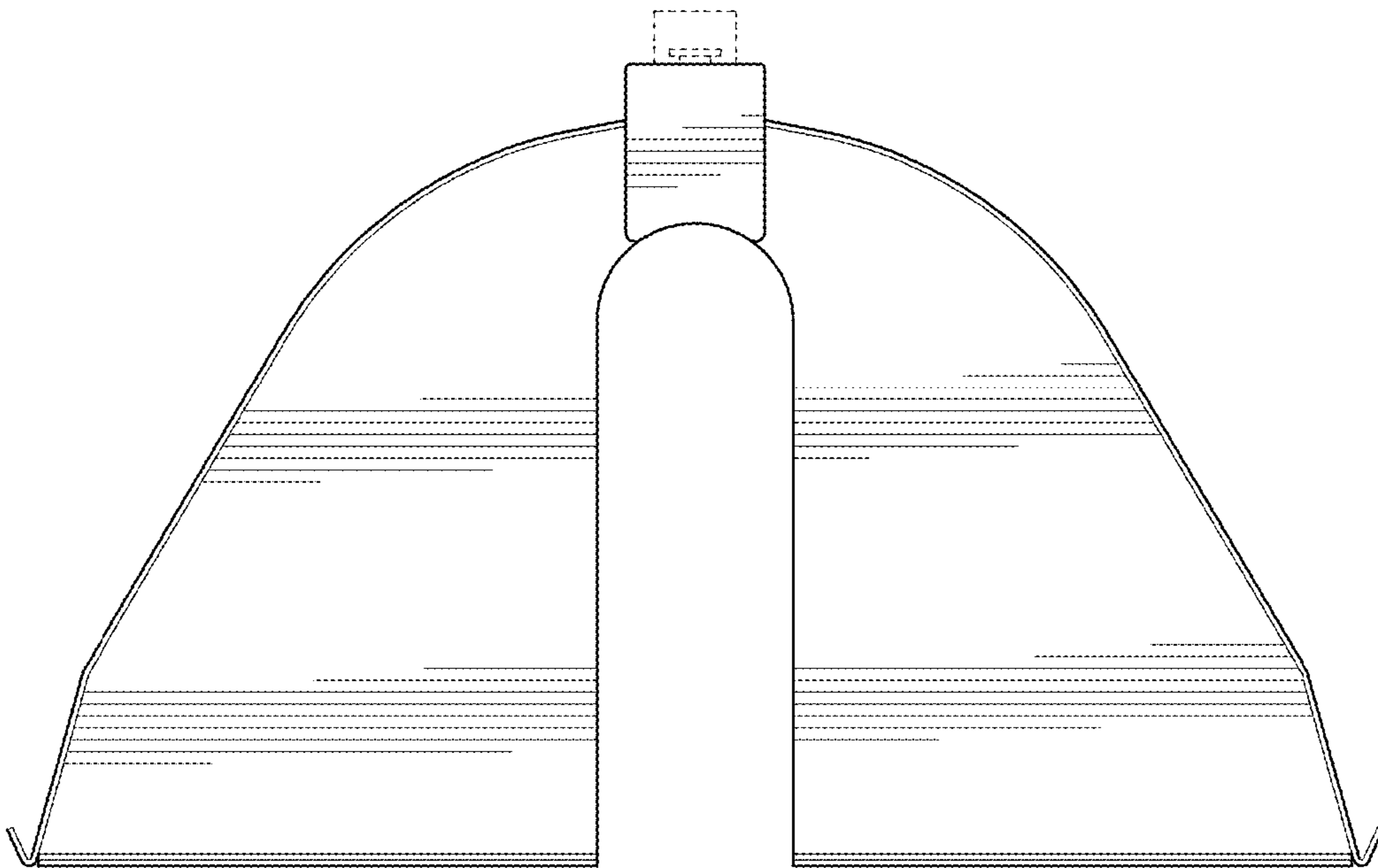


FIG. 16

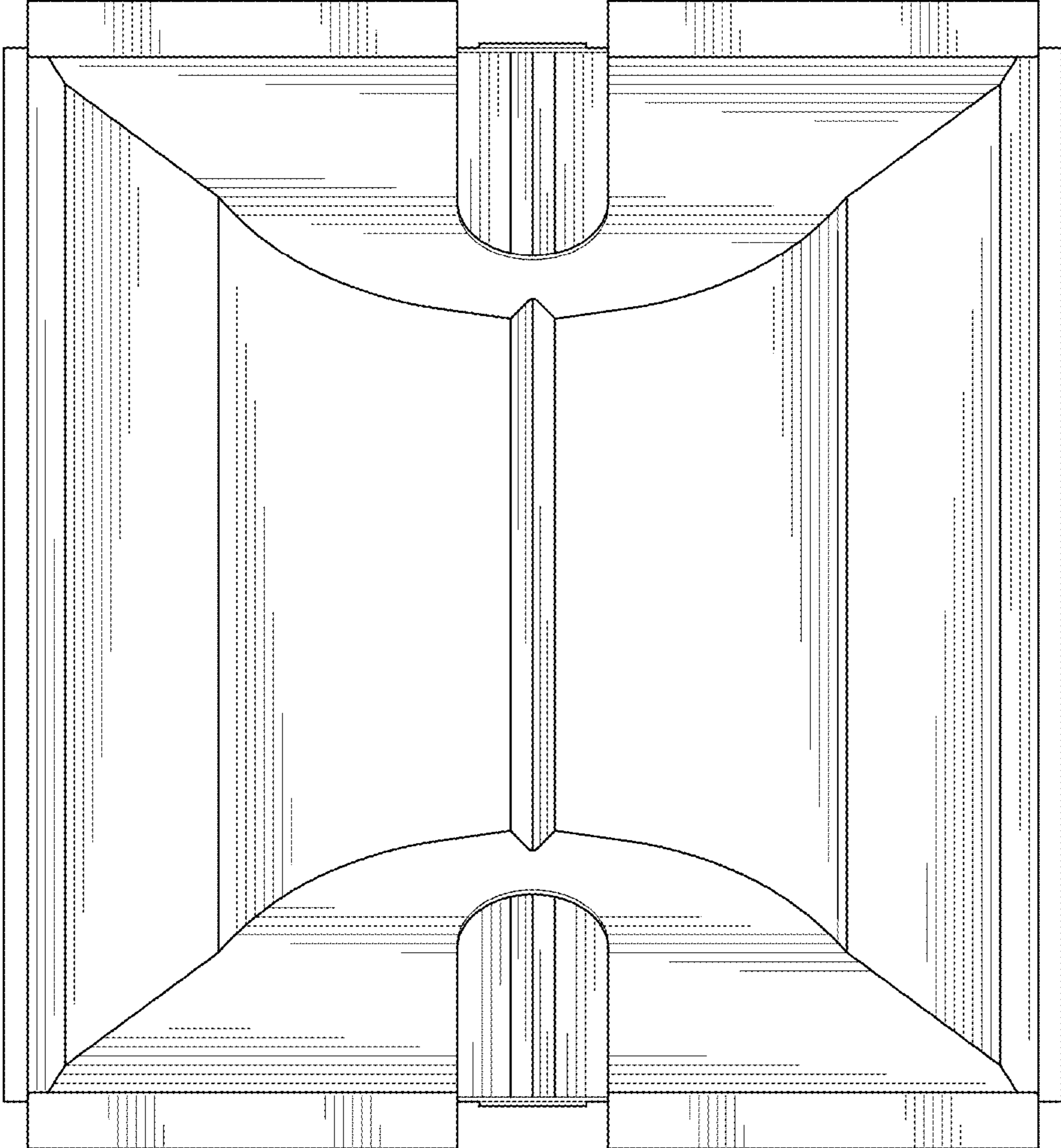


FIG. 17

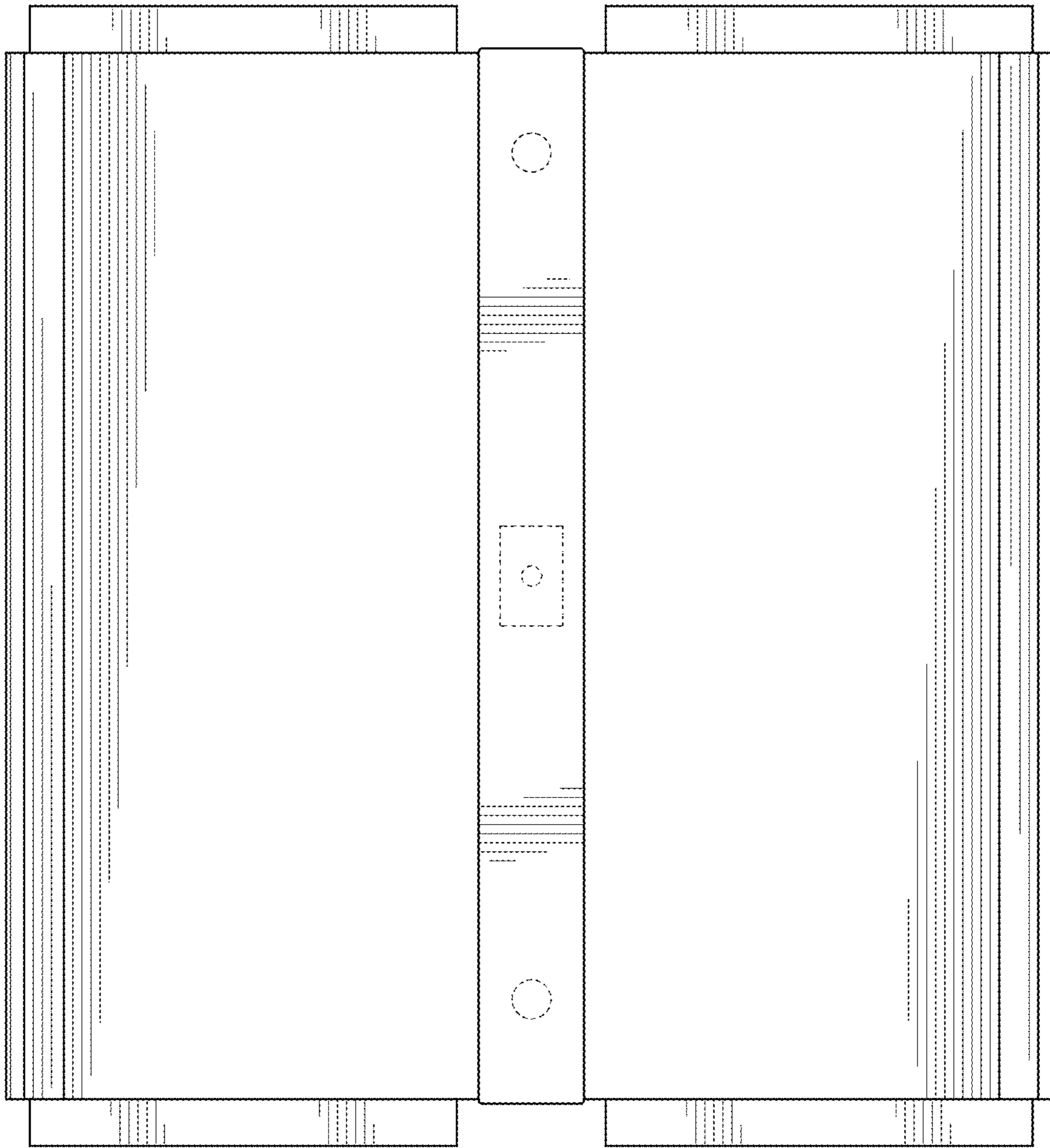


FIG. 18

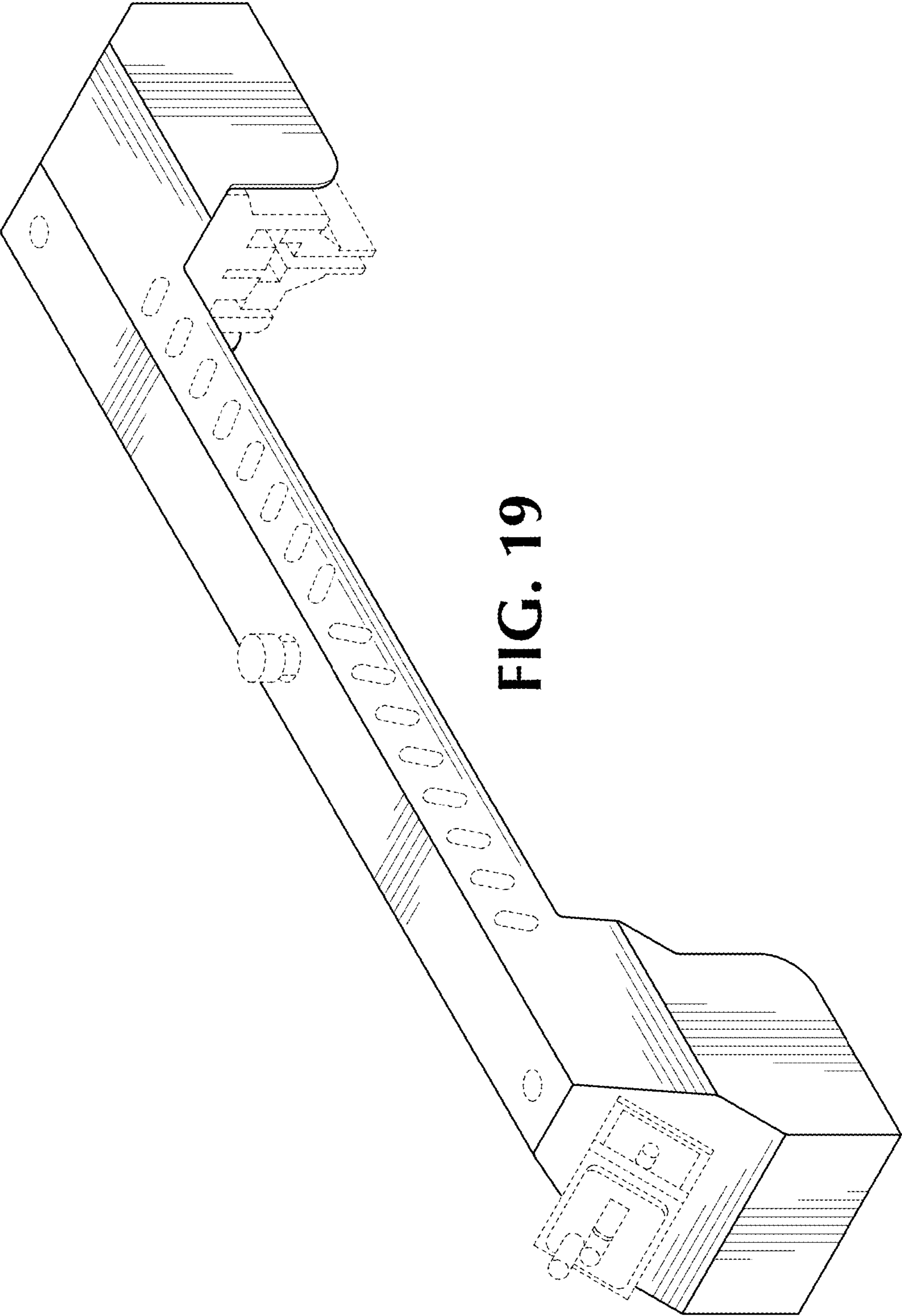


FIG. 19

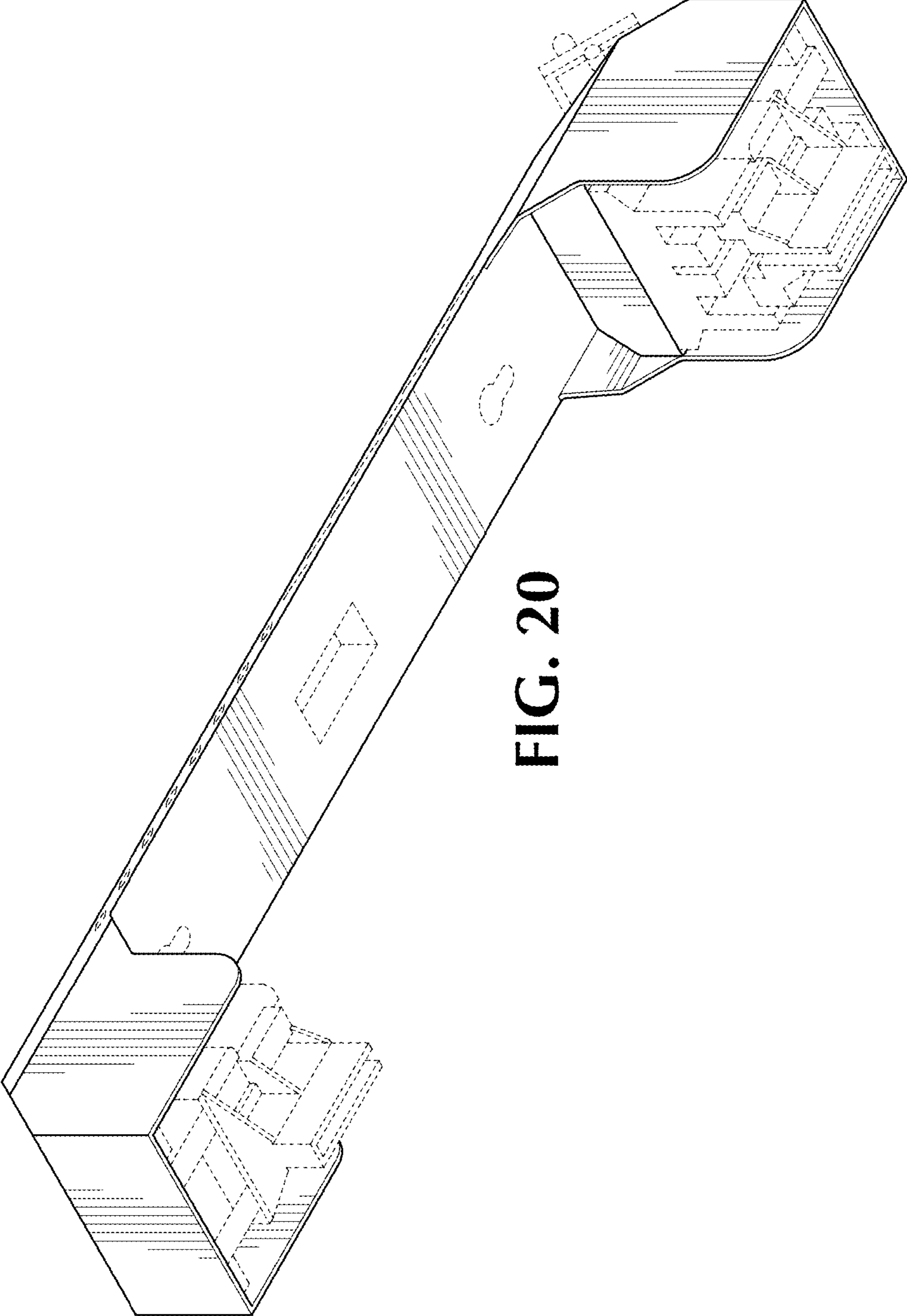


FIG. 20

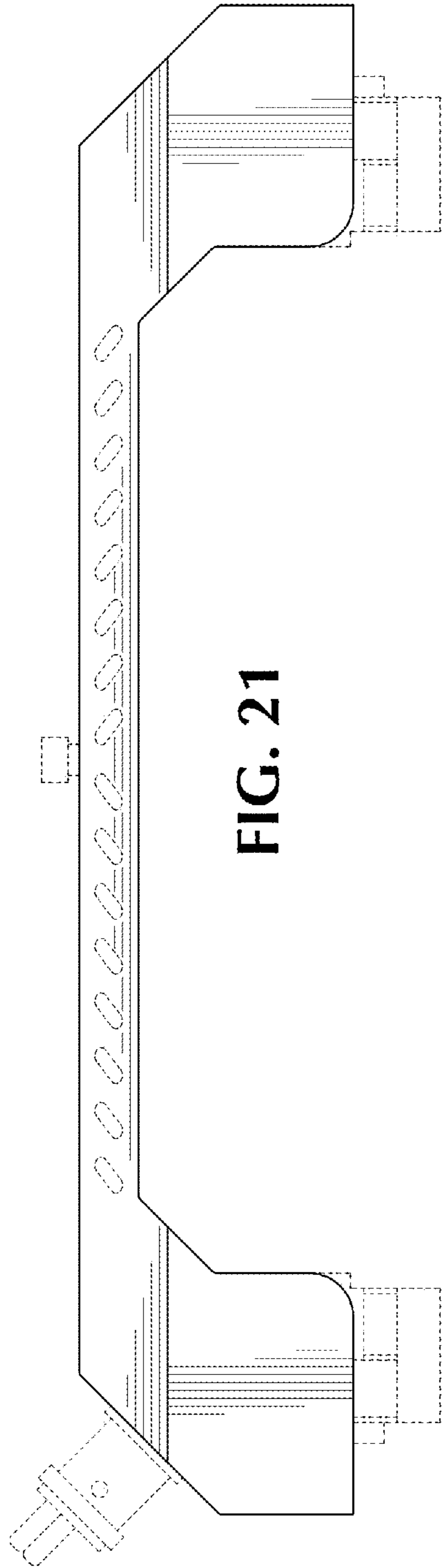


FIG. 21

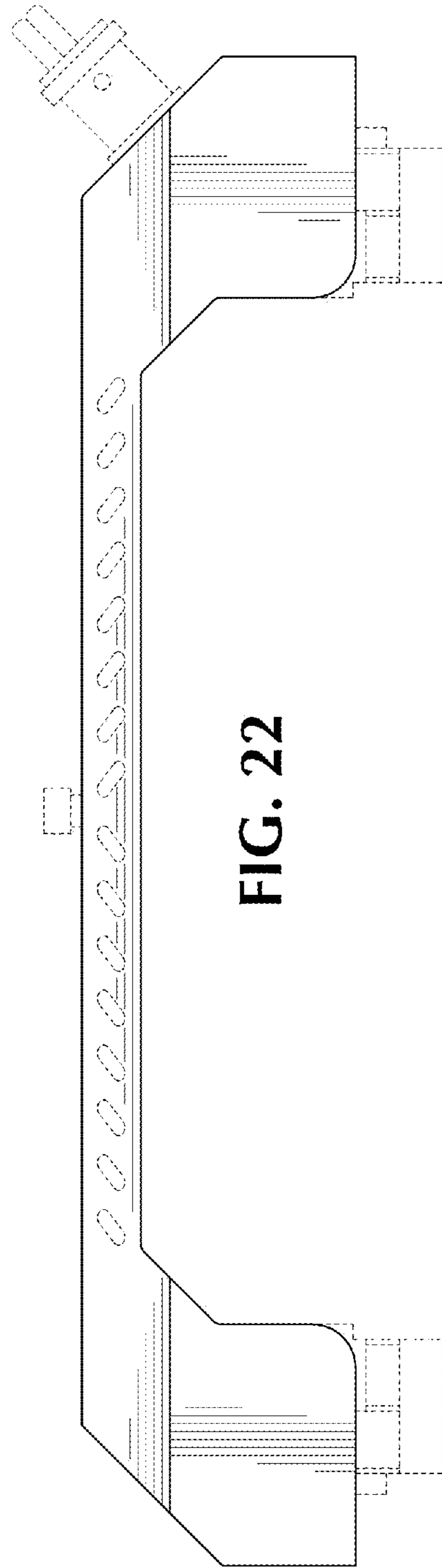


FIG. 22

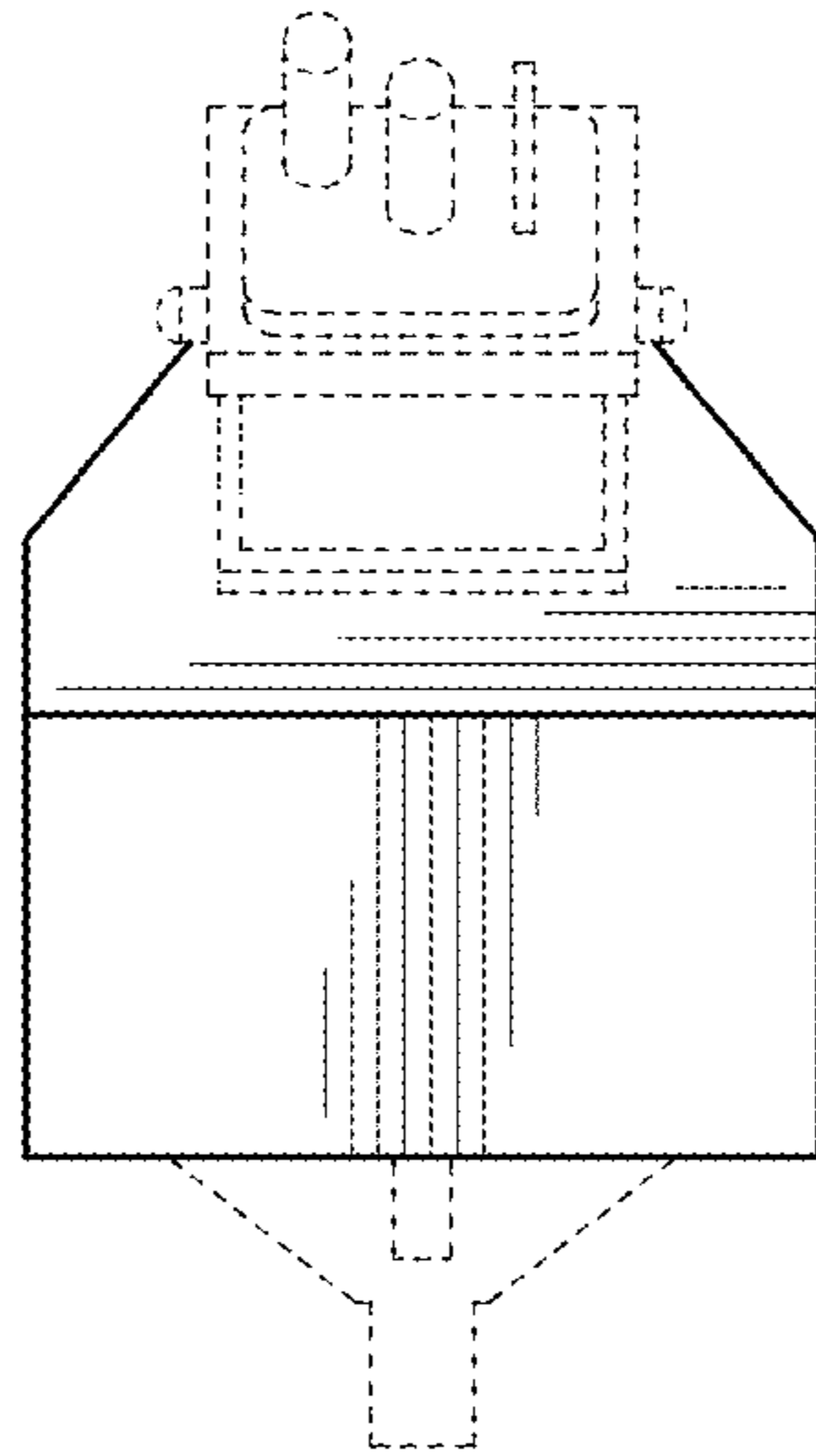


FIG. 23

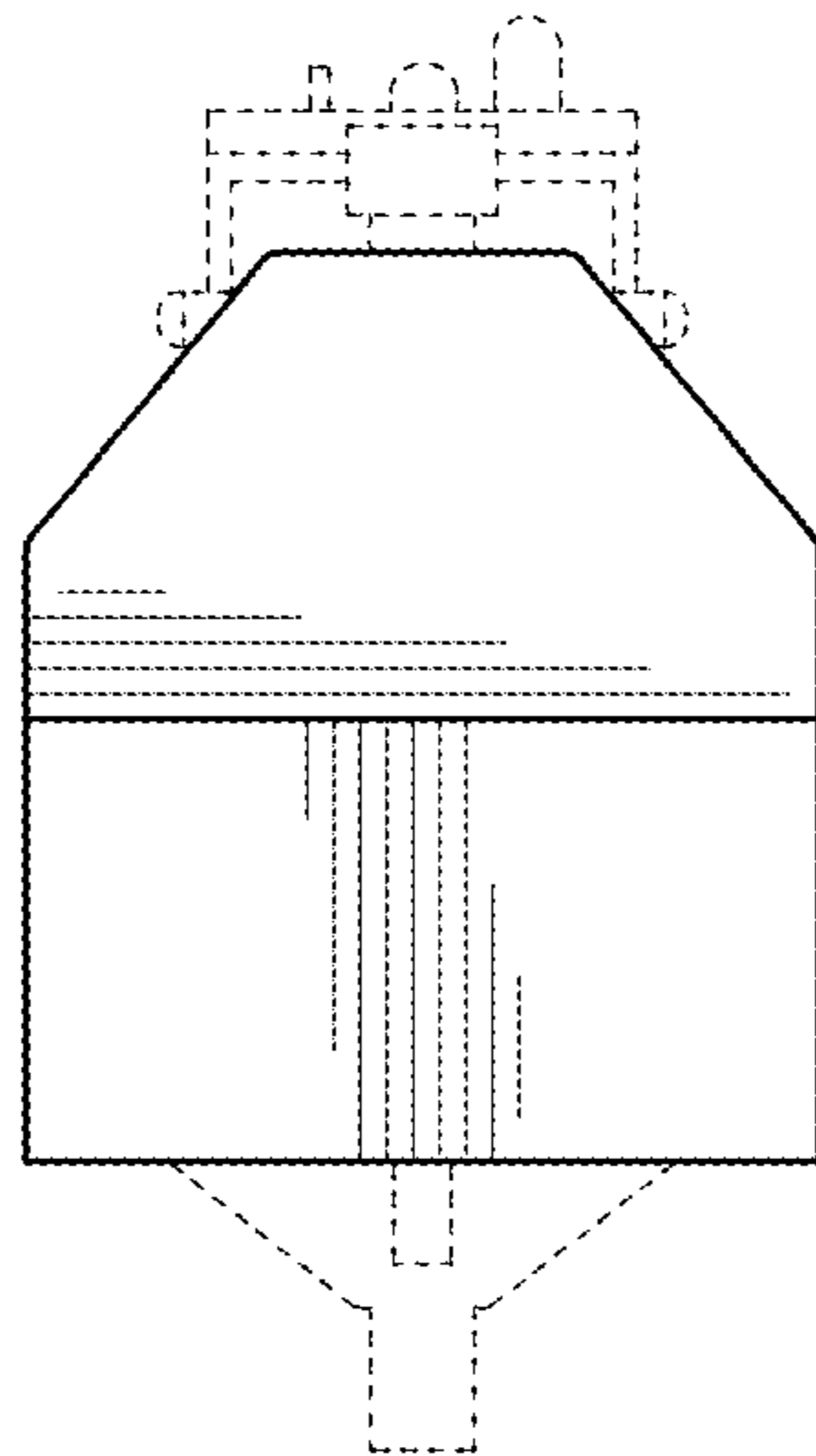


FIG. 24

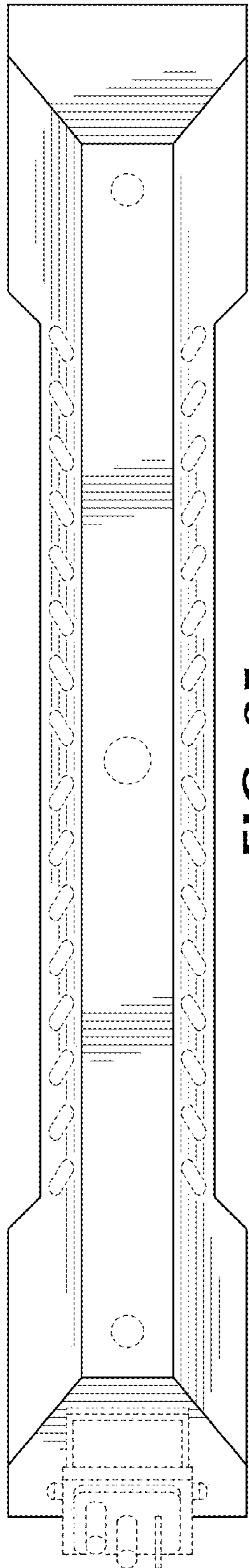


FIG. 25

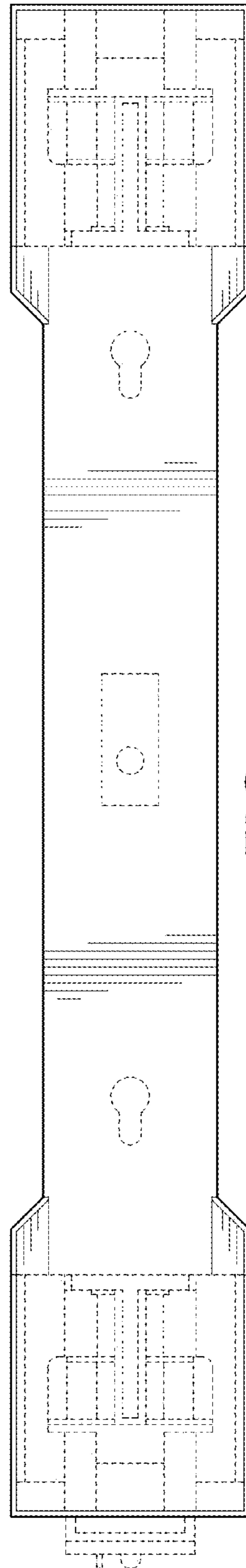


FIG. 26