



US00D775402S

(12) **United States Design Patent**  
**Sibitzky et al.**

(10) **Patent No.:** **US D775,402 S**

(45) **Date of Patent:** **\*\* Dec. 27, 2016**

(54) **LIGHT FIXTURE**

(71) Applicant: **JST Performance, LLC**, Gilbert, AZ  
(US)

(72) Inventors: **Pete D. Sibitzky**, Lakeside, CA (US);  
**Johnathan J. Heiner**, Mesa, AZ (US)

(73) Assignee: **JST Performance, LLC**, Gilbert, AZ  
(US)

(\*\*) Term: **15 Years**

(21) Appl. No.: **29/530,492**

(22) Filed: **Jun. 17, 2015**

(51) **LOC (10) Cl.** ..... **26-99**

(52) **U.S. Cl.**  
USPC ..... **D26/118**

(58) **Field of Classification Search**  
USPC ..... D26/1, 24, 61, 63, 65, 85, 92, 118  
CPC ..... F21V 21/14; F21V 15/01; F21V 14/02;  
F21V 21/30; F21V 21/00; F21V  
14/00; F21S 8/00; F21S 8/003; F21S  
8/043; F21Y 2105/001  
See application file for complete search history.

(56) **References Cited**

**U.S. PATENT DOCUMENTS**

- 4,323,953 A \* 4/1982 Hutchison ..... F21V 19/04  
362/220
- D573,286 S \* 7/2008 Zettl ..... D26/63
- D598,144 S \* 8/2009 Ko ..... D26/28
- D606,691 S \* 12/2009 Lindholm ..... D26/63
- D697,241 S \* 1/2014 Chen ..... D26/28

- D698,475 S \* 1/2014 Korpi ..... D26/63
- D704,363 S \* 5/2014 Adams ..... D26/28
- D704,365 S \* 5/2014 Adams ..... D26/28
- D716,477 S \* 10/2014 Chu ..... D26/118
- D718,478 S \* 11/2014 Adams ..... D26/28
- D739,072 S \* 9/2015 Adams ..... D26/118
- D743,619 S \* 11/2015 Fretz ..... D26/118
- D761,482 S \* 7/2016 Largent ..... D26/118

\* cited by examiner

*Primary Examiner* — Brian N Vinson

(57) **CLAIM**

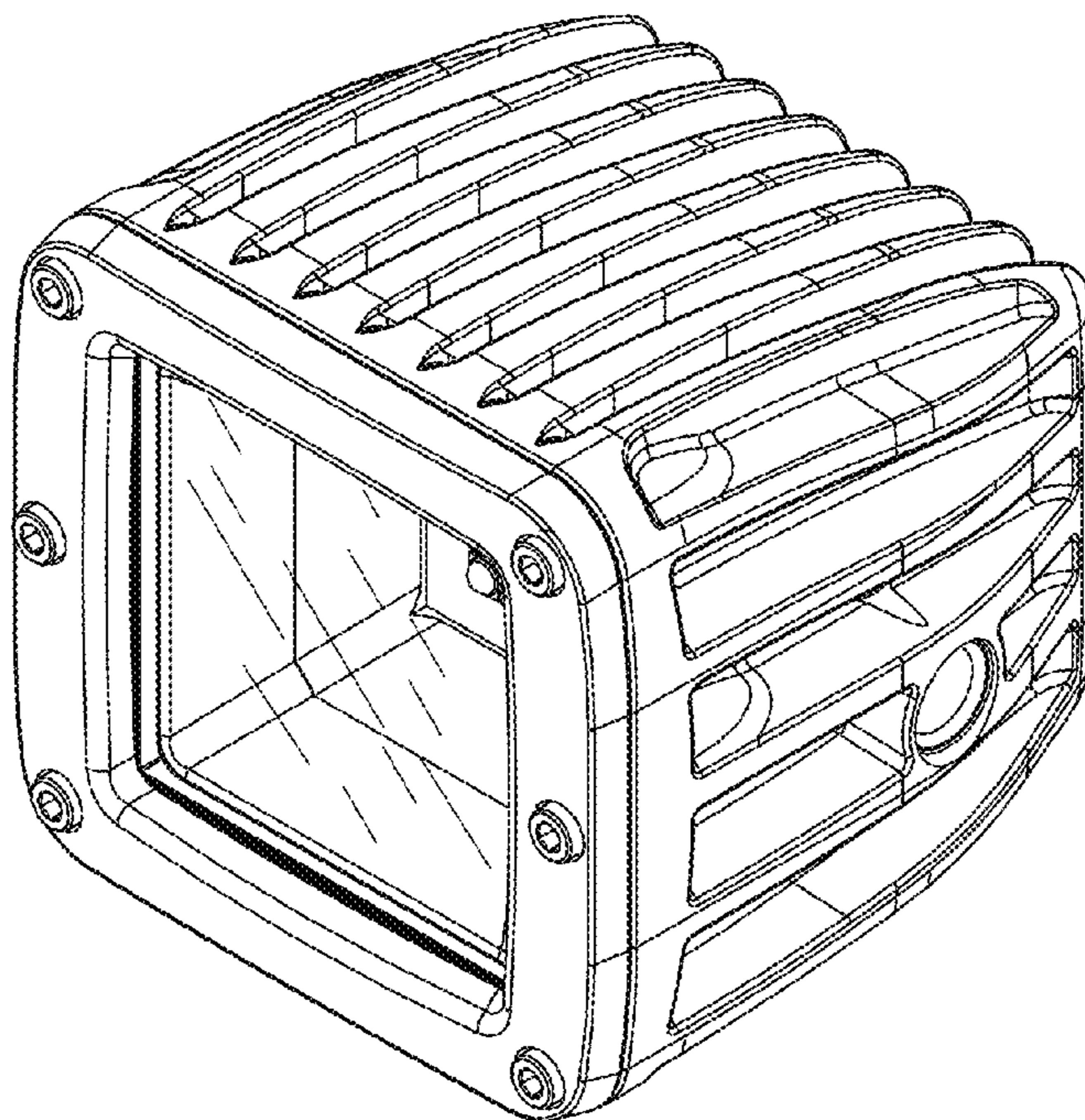
The ornamental design for a light fixture, as shown and described.

**DESCRIPTION**

FIG. 1 is a front, right, top perspective view of a light fixture showing our new design;  
 FIG. 2 is a front, left, top perspective view thereof;  
 FIG. 3 is a front, right, bottom perspective view thereof;  
 FIG. 4 is a front, left, bottom perspective view thereof;  
 FIG. 5 is a back, right, top perspective view thereof;  
 FIG. 6 is a back, left, top perspective view thereof;  
 FIG. 7 is a back, left, bottom perspective view thereof;  
 FIG. 8 is a back, right, bottom perspective view thereof;  
 FIG. 9 is a front side view thereof;  
 FIG. 10 is a back side view thereof;  
 FIG. 11 is a left side view thereof;  
 FIG. 12 is a right side view thereof;  
 FIG. 13 is a top view thereof; and,  
 FIG. 14 is a bottom view thereof.

The broken lines showing environment in the drawings are for illustrative purposes only and form no part of the claimed design.

**1 Claim, 10 Drawing Sheets**



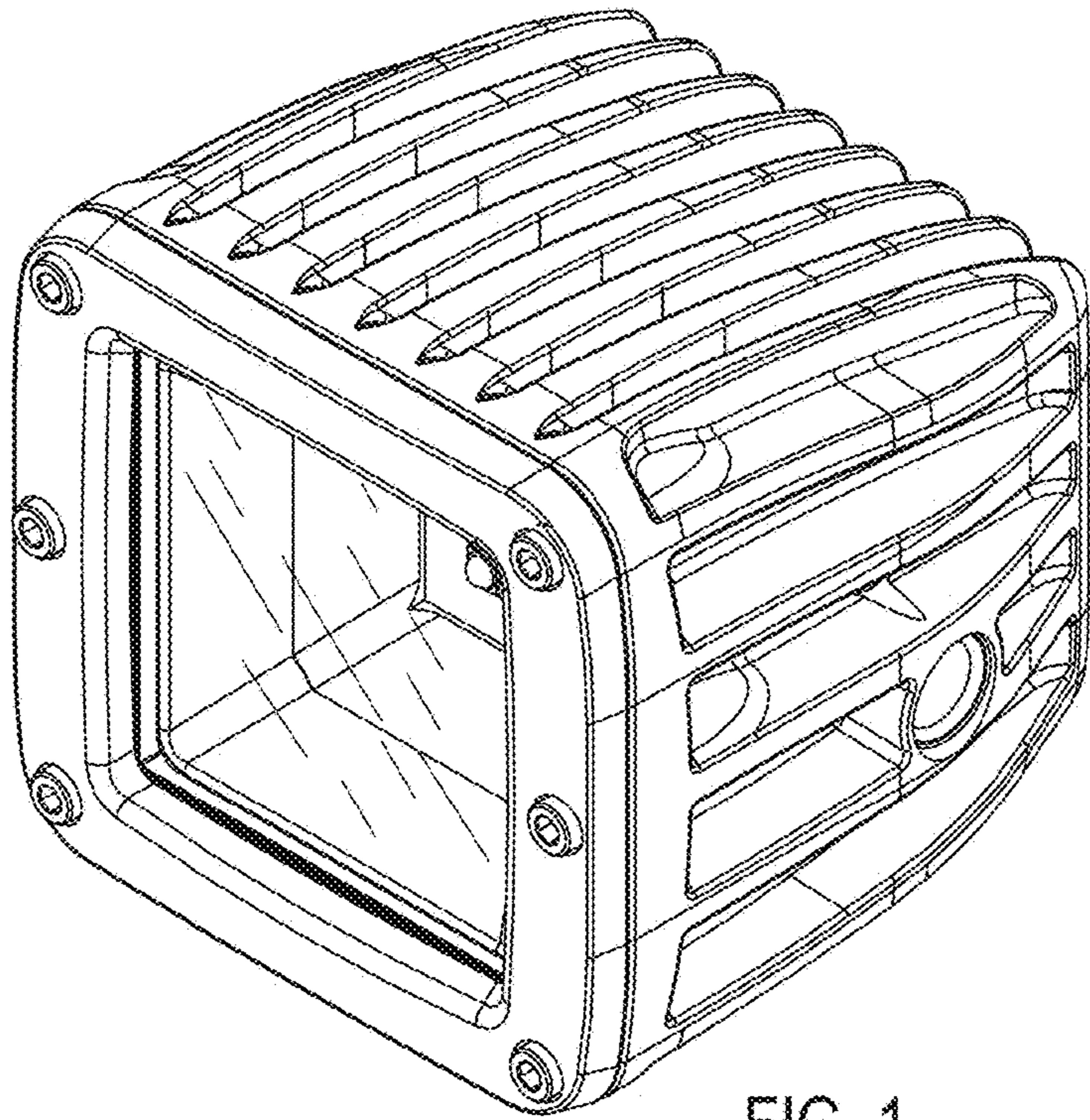


FIG. 1

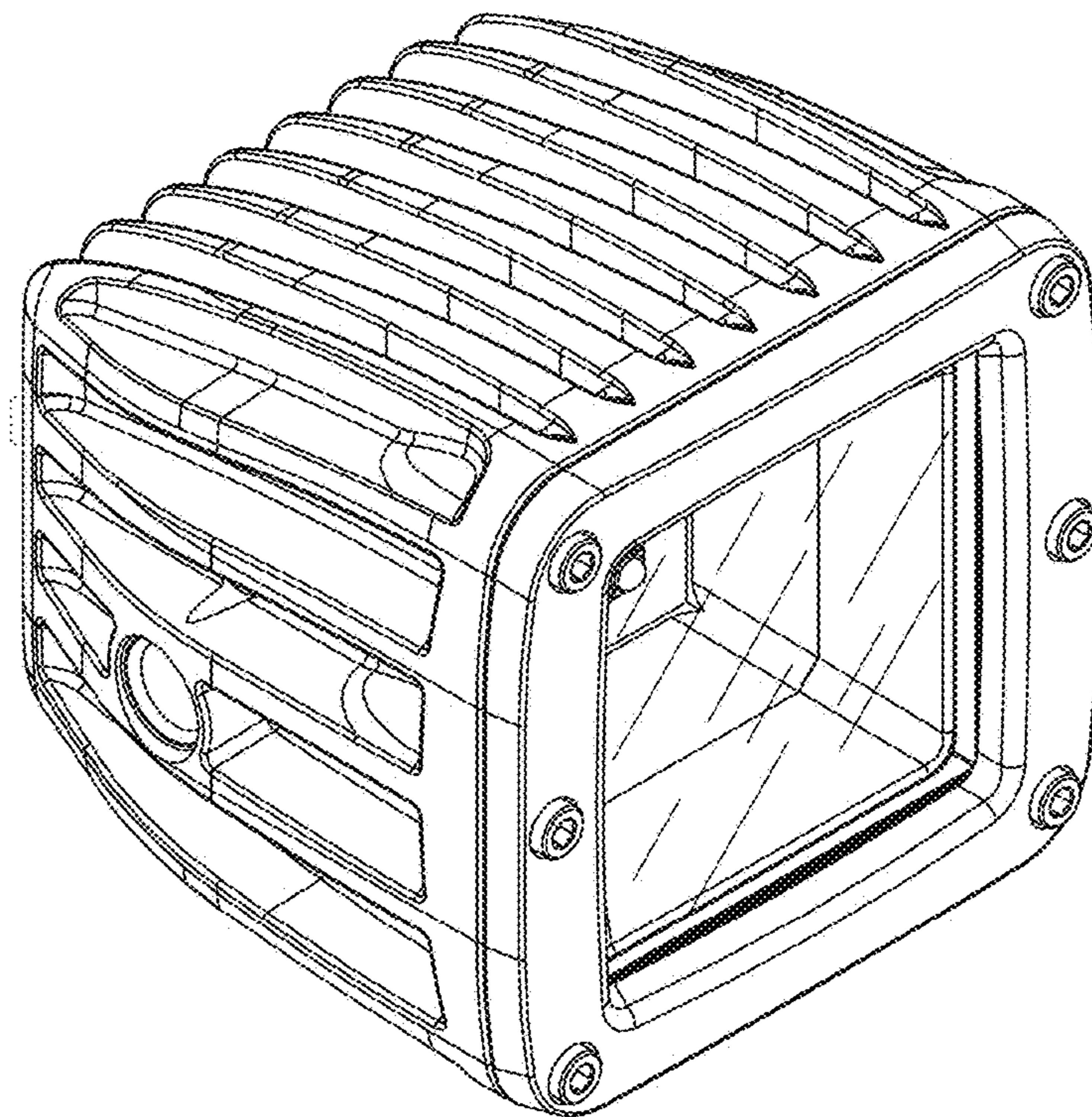


FIG. 2

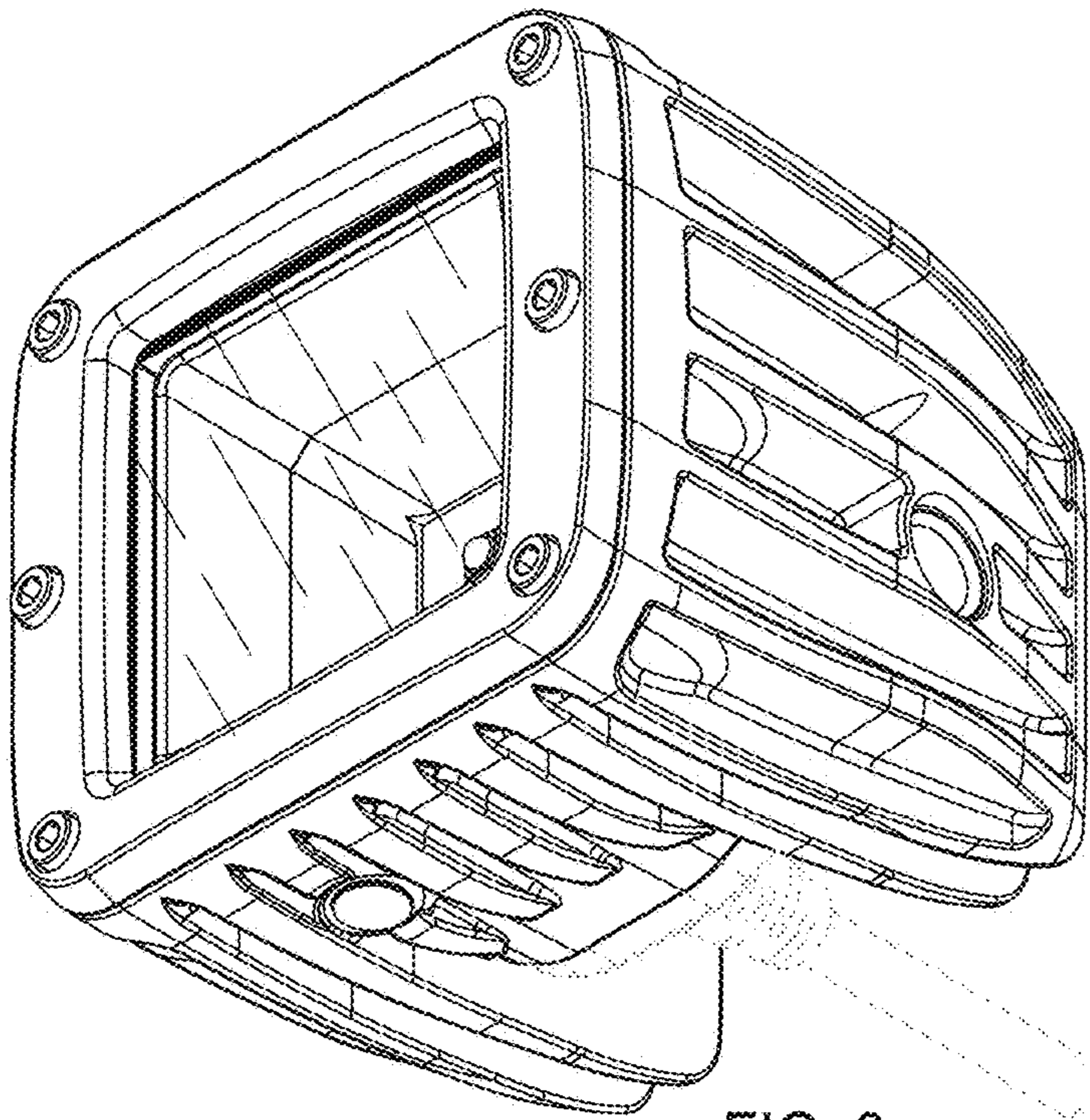


FIG. 3

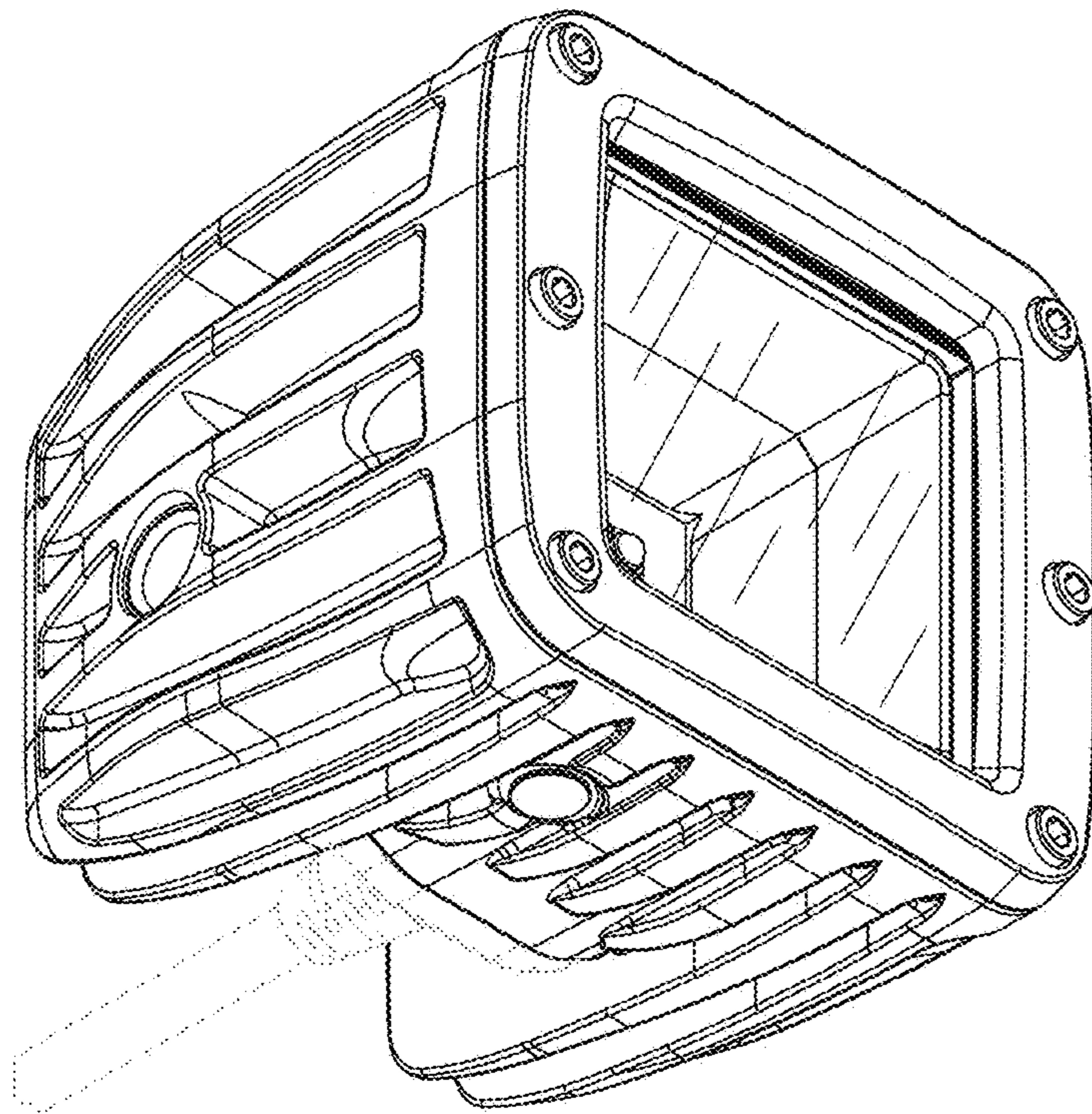


FIG. 4

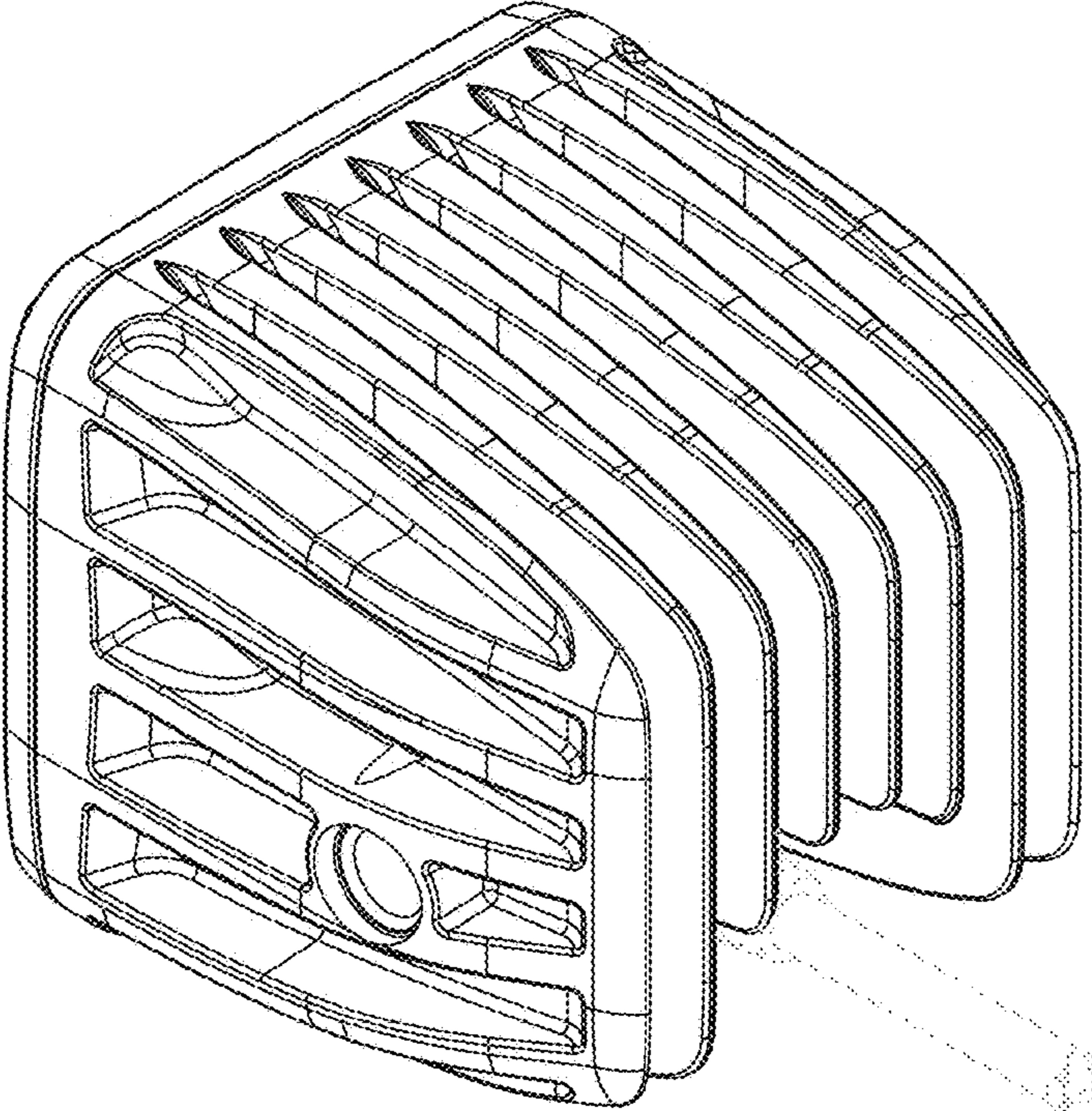


FIG. 5

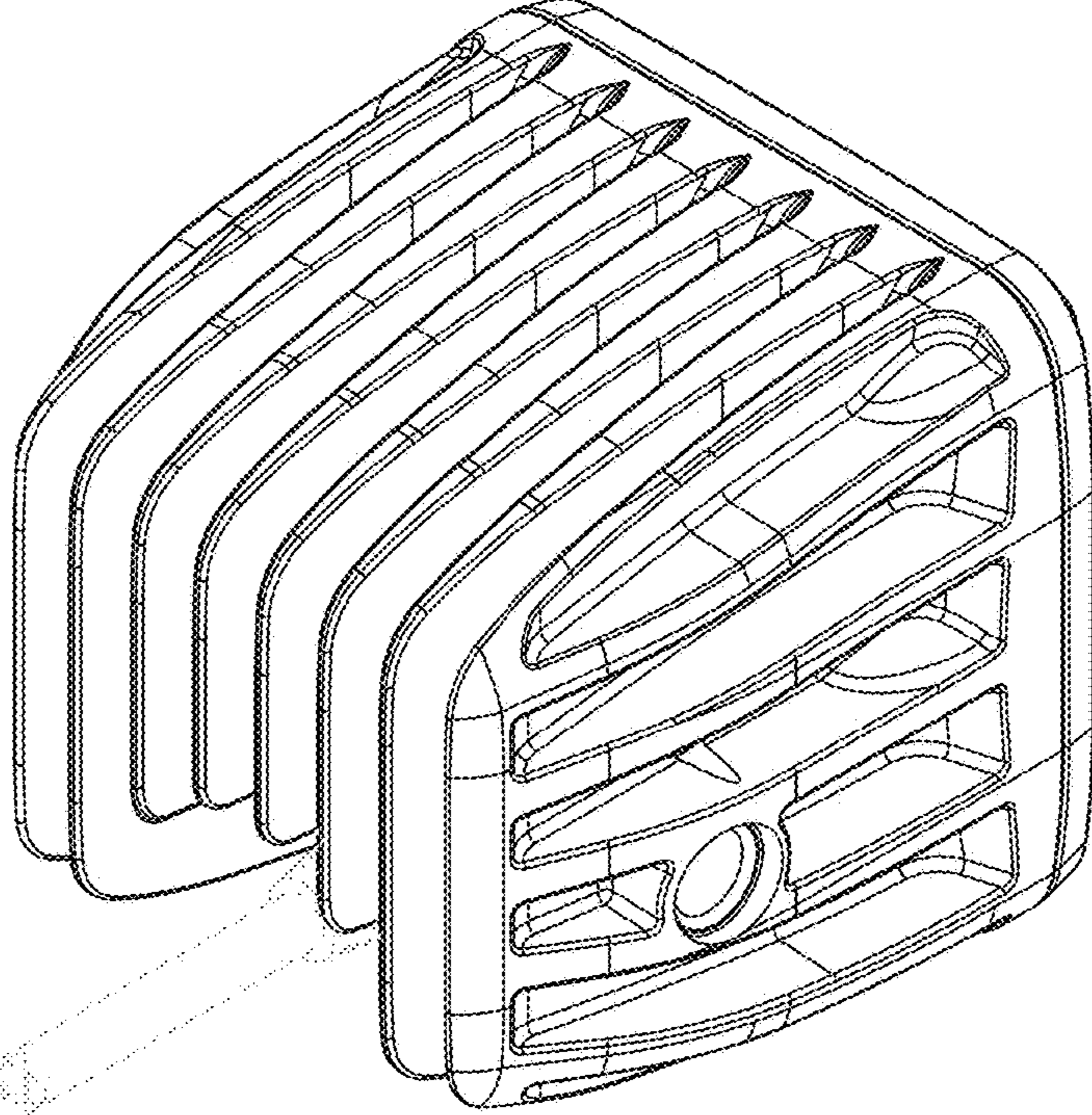


FIG. 6

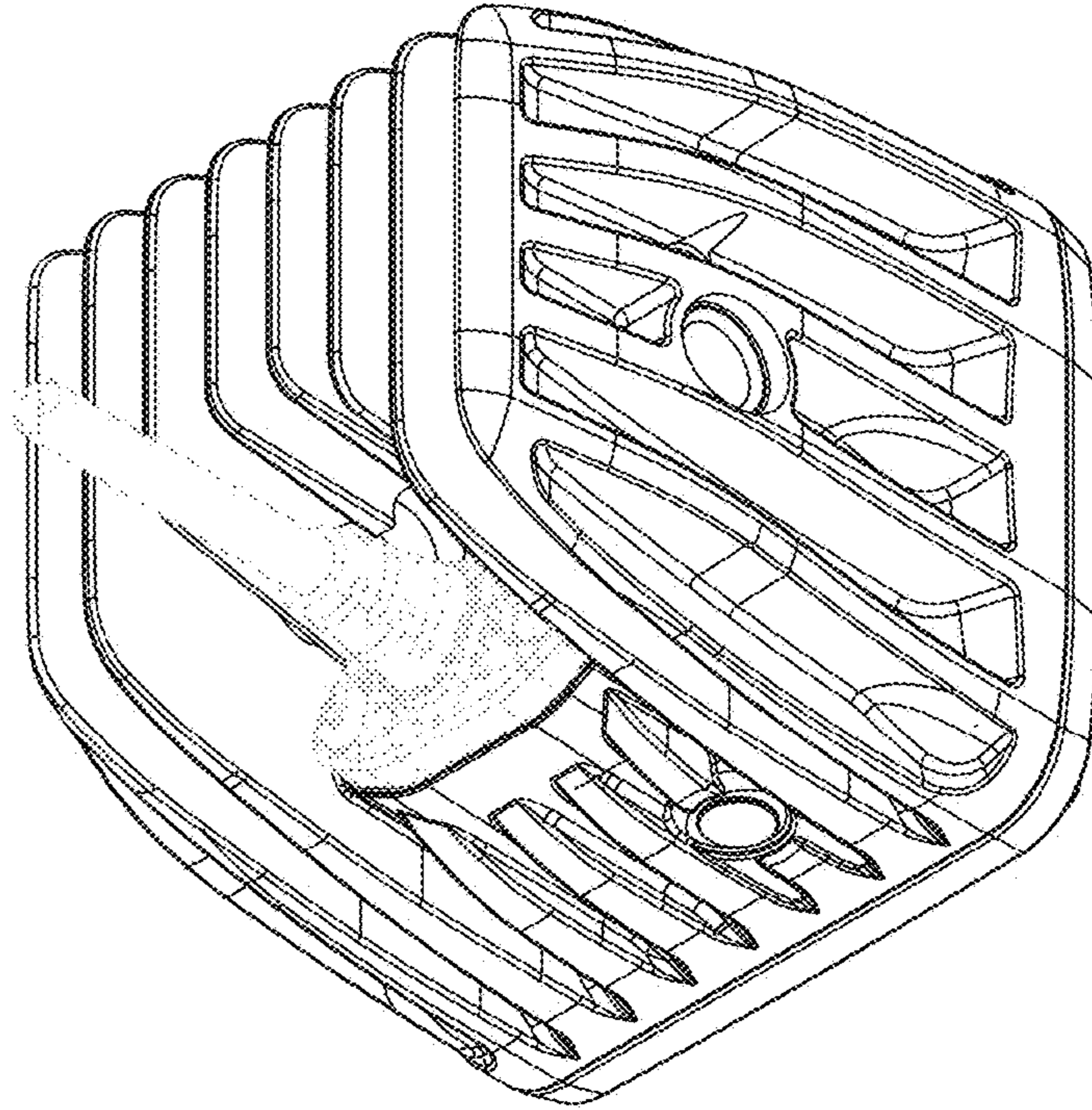


FIG. 7

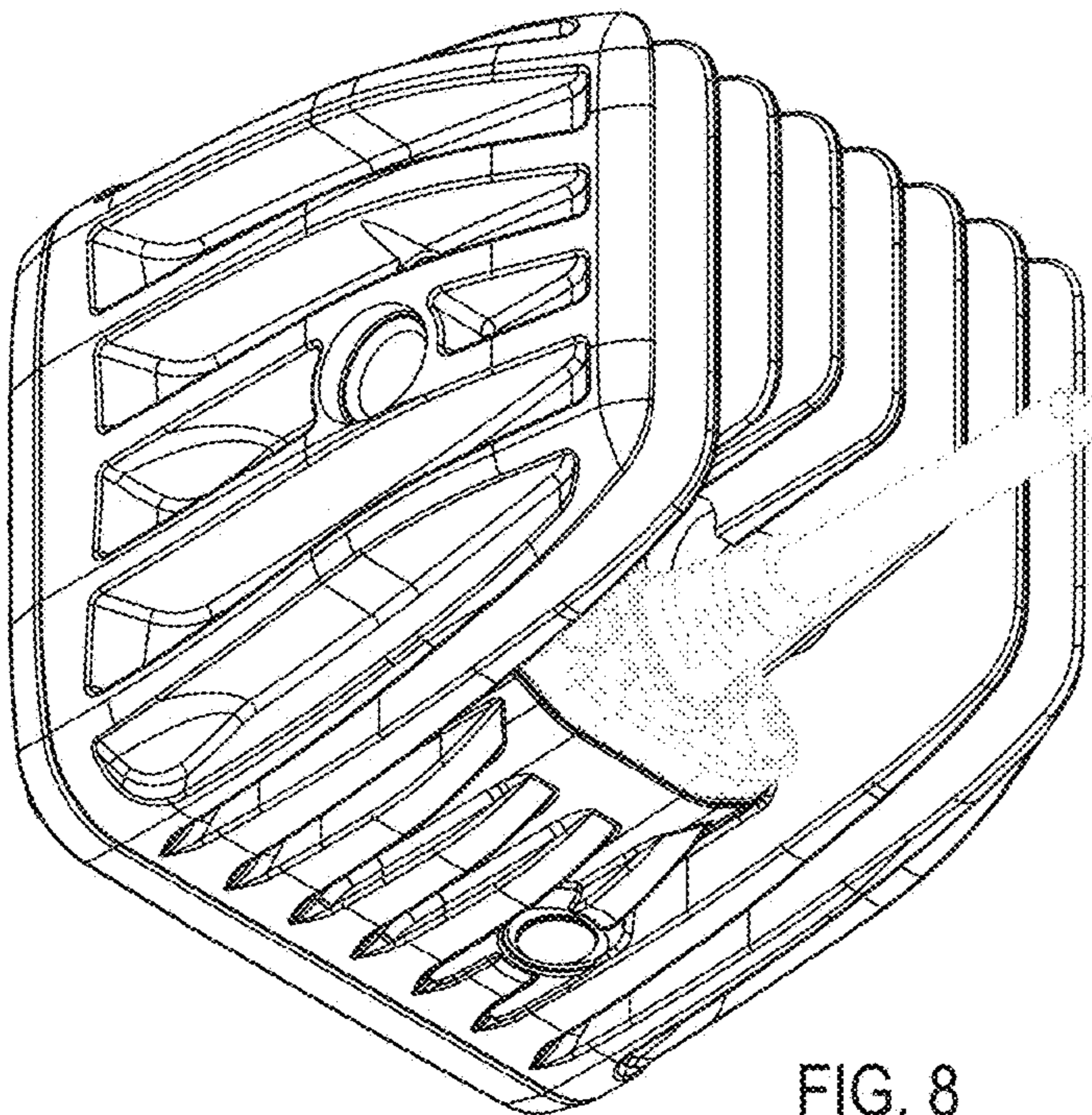


FIG. 8

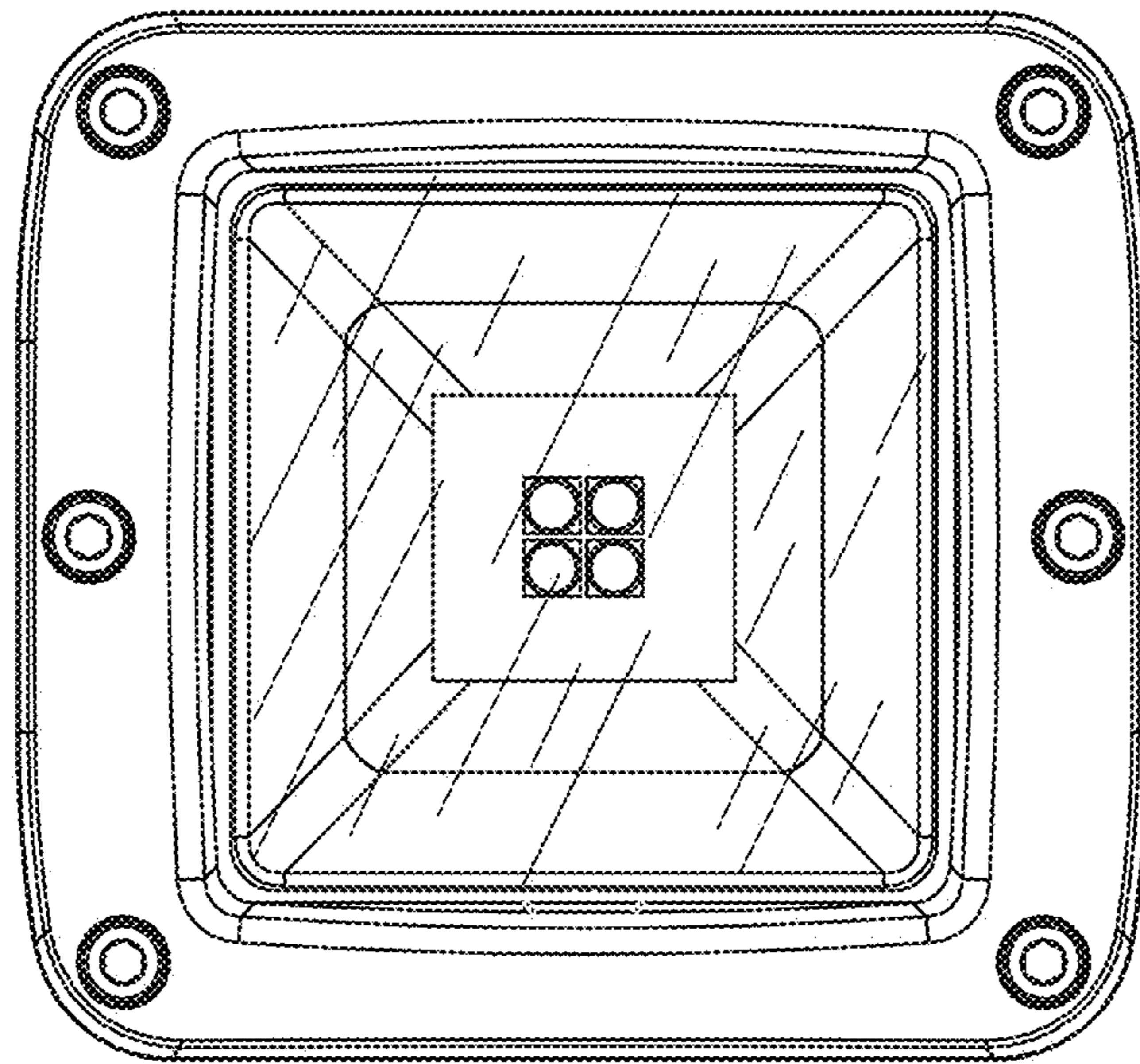


FIG. 9

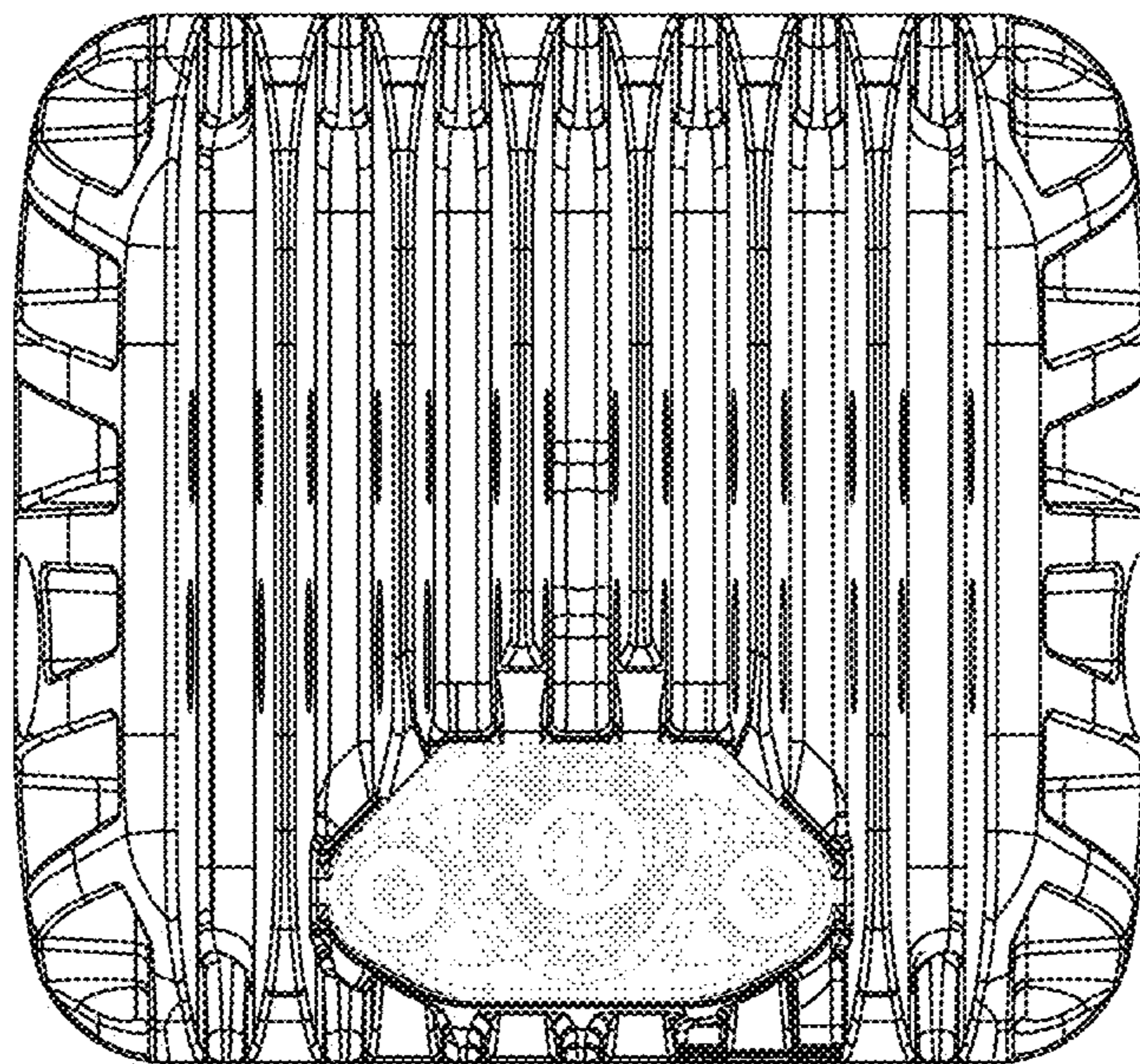


FIG. 10

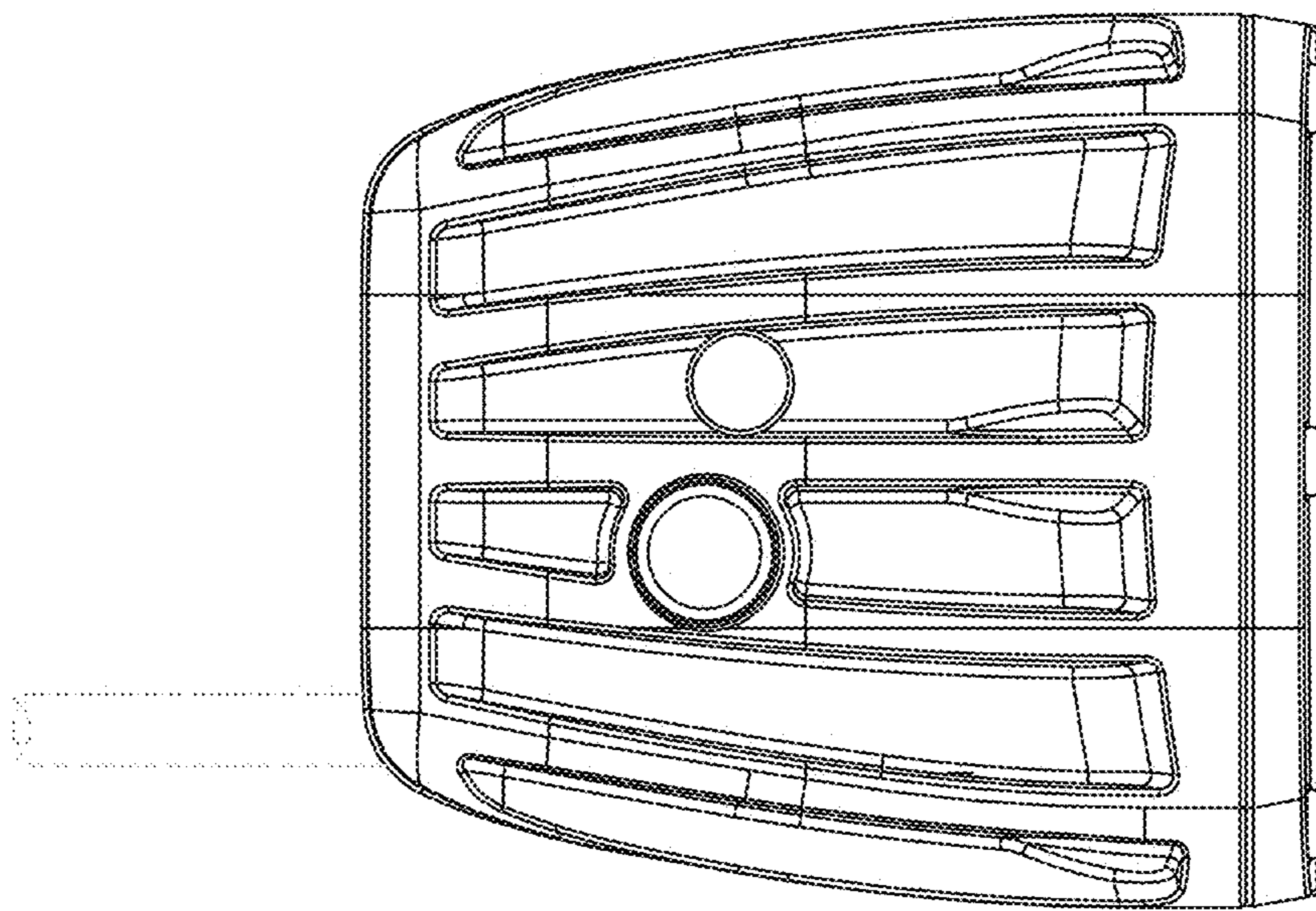


FIG. 11



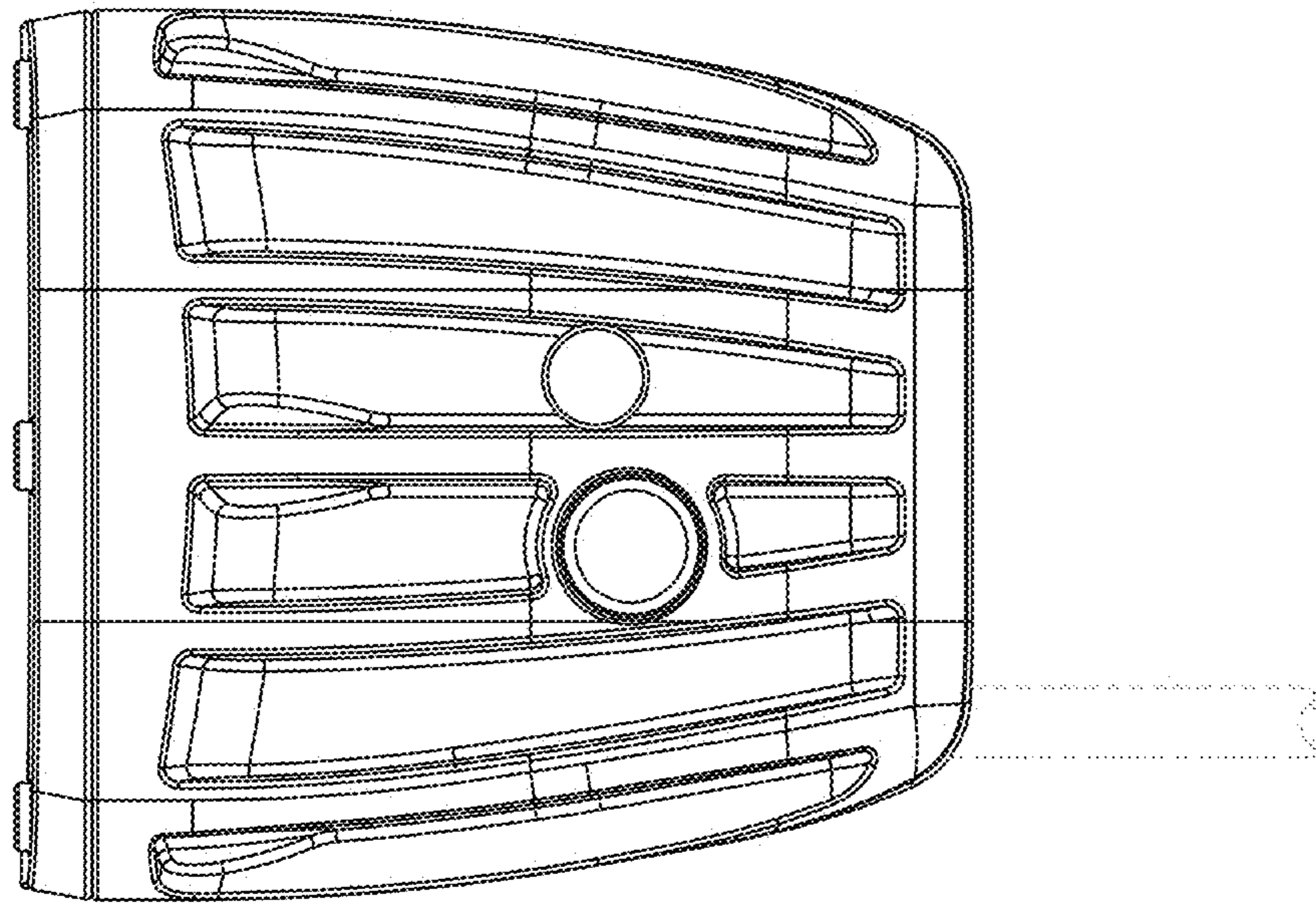


FIG. 12

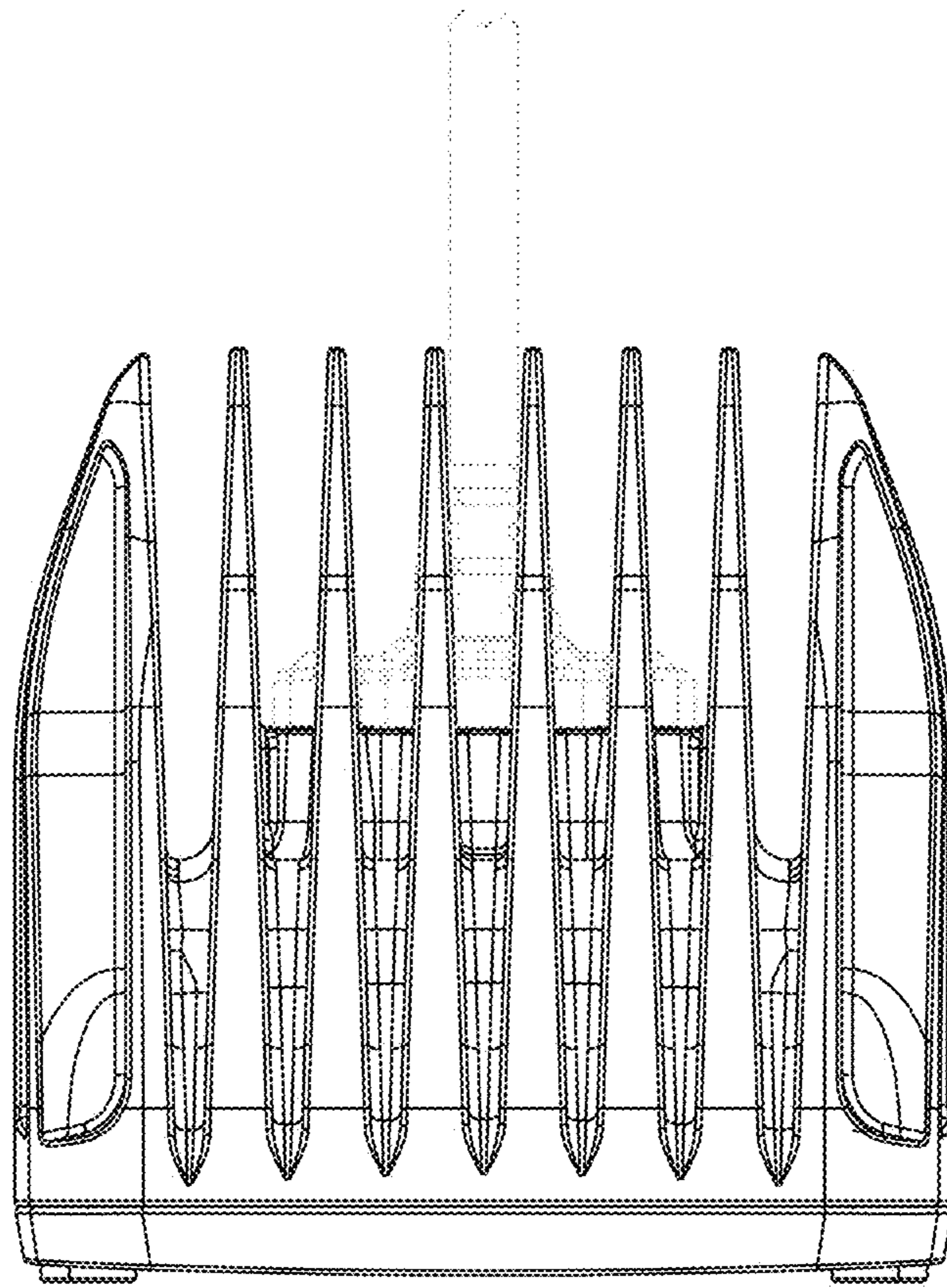


FIG. 13

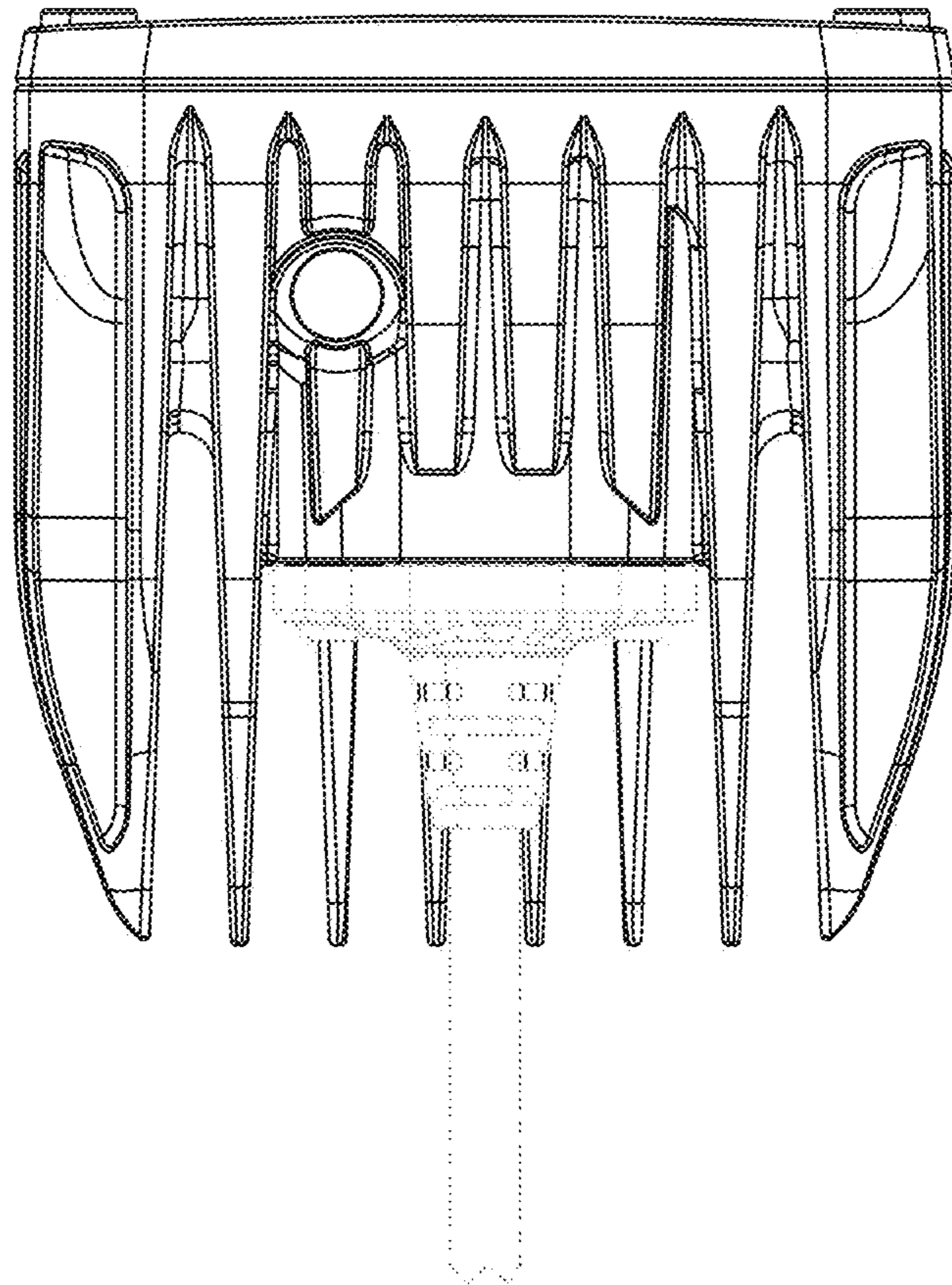


FIG. 14