



US00D775401S

(12) **United States Design Patent**
Sibitzky et al.

(10) **Patent No.:** **US D775,401 S**

(45) **Date of Patent:** **** Dec. 27, 2016**

(54) **LIGHT FIXTURE**

(71) Applicant: **JST Performance, LLC**, Gilbert, AZ (US)

(72) Inventors: **Pete D. Sibitzky**, Lakeside, CA (US);
Johnathan J. Heiner, Mesa, AZ (US)

(73) Assignee: **JST Performance, LLC**, Gilbert, AZ (US)

(**) Term: **15 Years**

(21) Appl. No.: **29/530,479**

(22) Filed: **Jun. 17, 2015**

(51) **LOC (10) Cl.** **26-99**

(52) **U.S. Cl.**
USPC **D26/118**

(58) **Field of Classification Search**
USPC D26/1, 24, 61, 63, 65, 85, 92, 118
CPC F21V 21/14; F21V 15/01; F21V 14/02;
F21V 21/30; F21V 21/00; F21V 14/00; F21S 8/00; F21S 8/003; F21S 8/043; F21Y 2105/001
See application file for complete search history.

(56) **References Cited**

U.S. PATENT DOCUMENTS

- 4,323,953 A * 4/1982 Hutchison F21V 19/04 362/220
- D573,286 S * 7/2008 Zettl D26/63
- D598,144 S * 8/2009 Ko D26/28
- D606,691 S * 12/2009 Lindholm D26/63
- D697,241 S * 1/2014 Chen D26/28

- D698,475 S * 1/2014 Korpi D26/63
- D704,363 S * 5/2014 Adams D26/28
- D704,365 S * 5/2014 Adams D26/28
- D716,477 S * 10/2014 Chu D26/118
- D718,478 S * 11/2014 Adams D26/28
- D739,072 S * 9/2015 Adams D26/118
- D743,619 S * 11/2015 Fretz D26/118
- D761,482 S * 7/2016 Largent D26/118

* cited by examiner

Primary Examiner — Brian N Vinson

(57) **CLAIM**

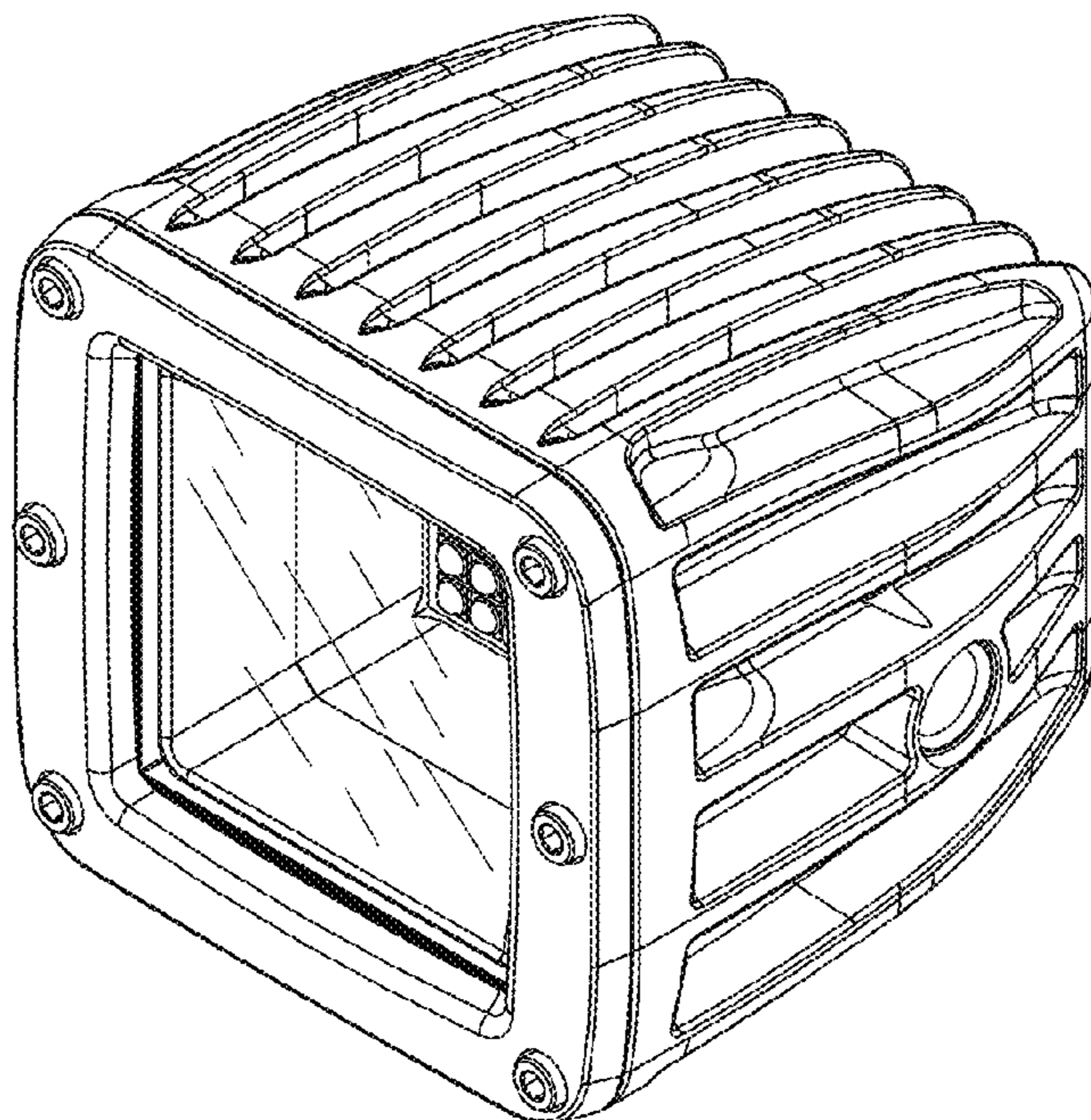
The ornamental design for a light fixture, as shown and described.

DESCRIPTION

FIG. 1 is a front, right, top perspective view of a light fixture showing our new design;
 FIG. 2 is a front, left, top perspective view thereof;
 FIG. 3 is a front, right, bottom perspective view thereof;
 FIG. 4 is a front, left, bottom perspective view thereof;
 FIG. 5 is a back, right, top perspective view thereof;
 FIG. 6 is a back, left, top perspective view thereof;
 FIG. 7 is a back, left, bottom perspective view thereof;
 FIG. 8 is a back, right, bottom perspective view thereof;
 FIG. 9 is a front side view thereof;
 FIG. 10 is a back side view thereof;
 FIG. 11 is a left side view thereof;
 FIG. 12 is a right side view thereof;
 FIG. 13 is a top view thereof; and,
 FIG. 14 is a bottom view thereof.

The broken lines showing environment in the drawings are for illustrative purposes only and form no part of the claimed design.

1 Claim, 10 Drawing Sheets



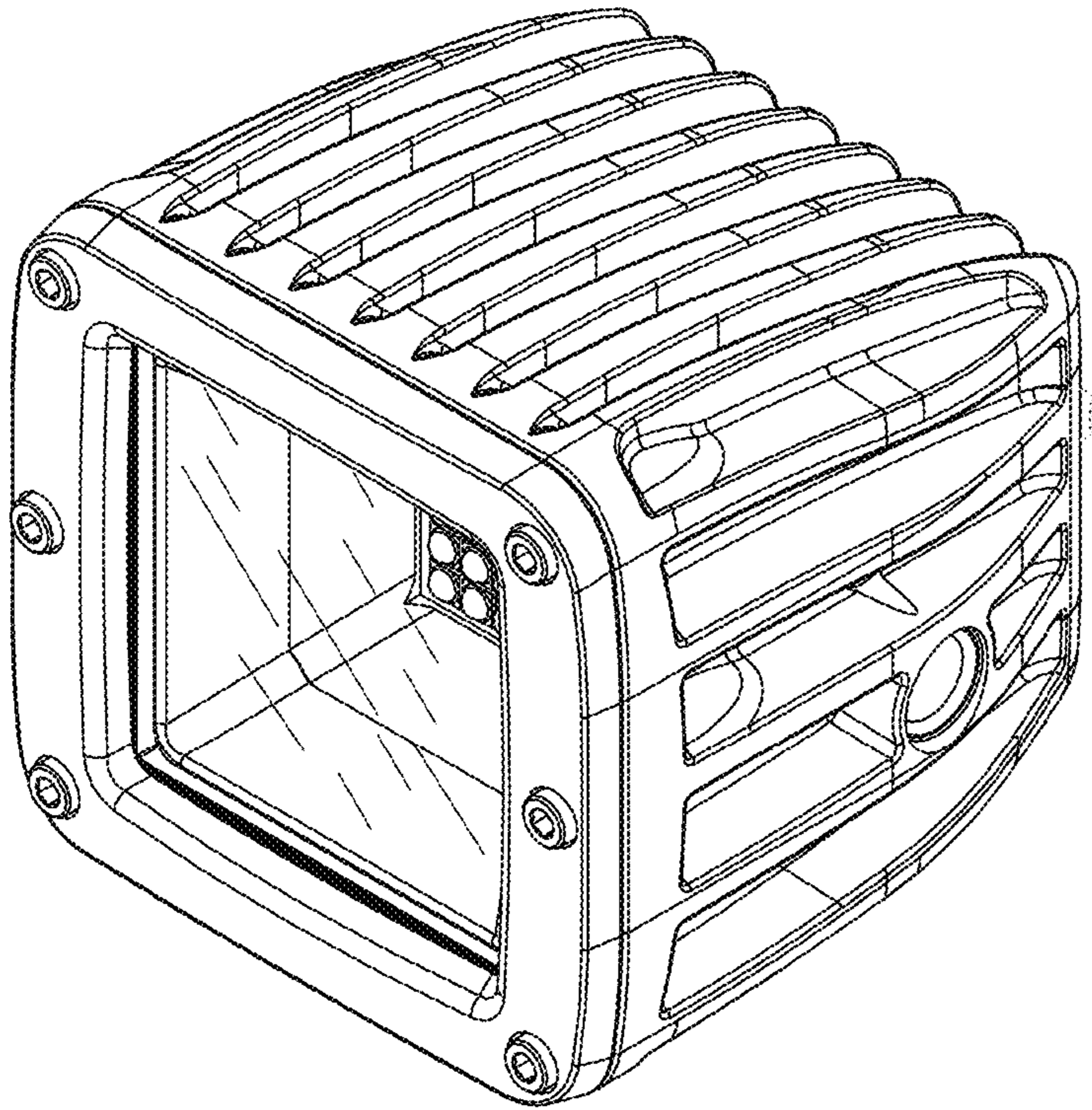


FIG. 1

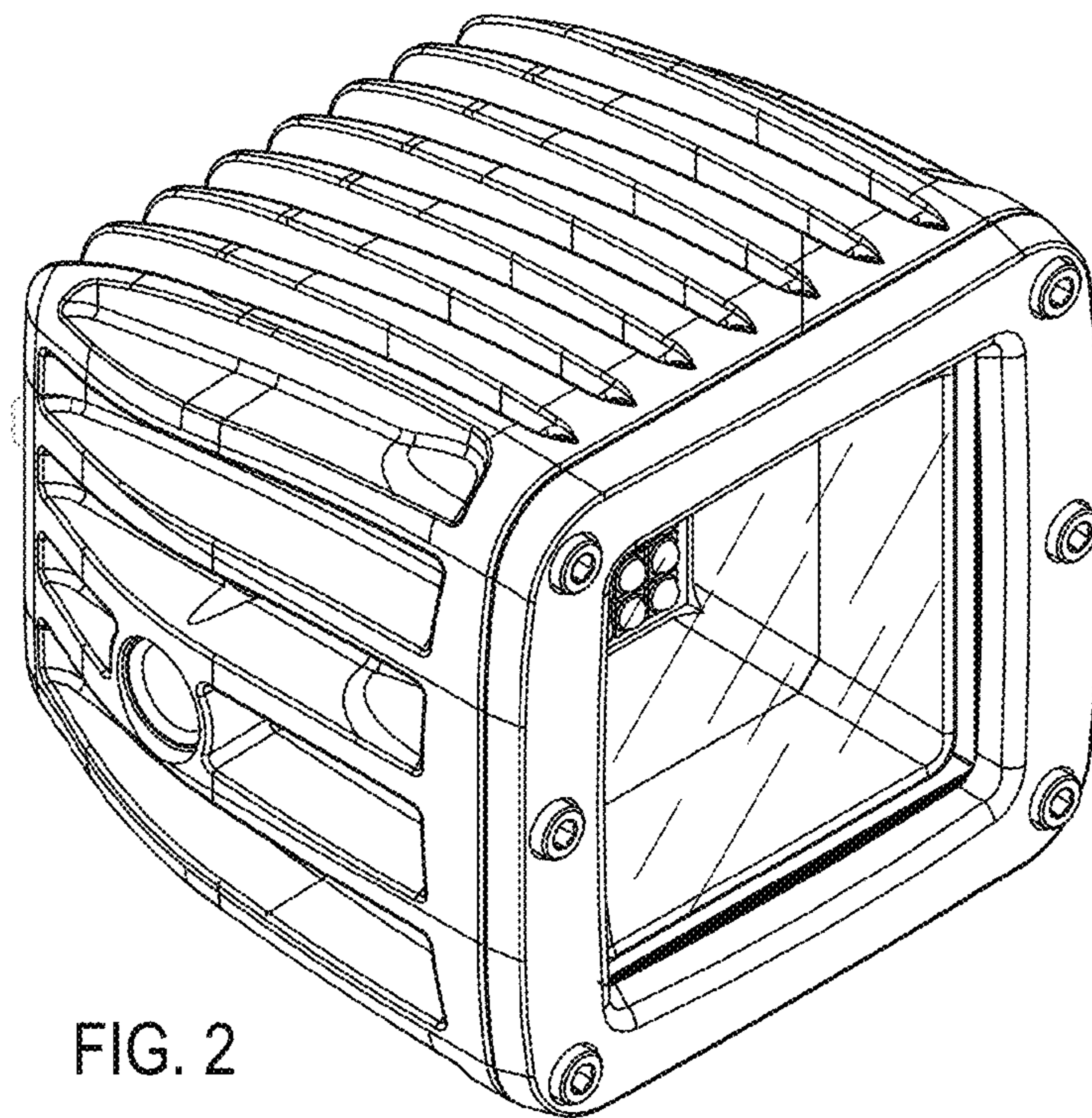


FIG. 2

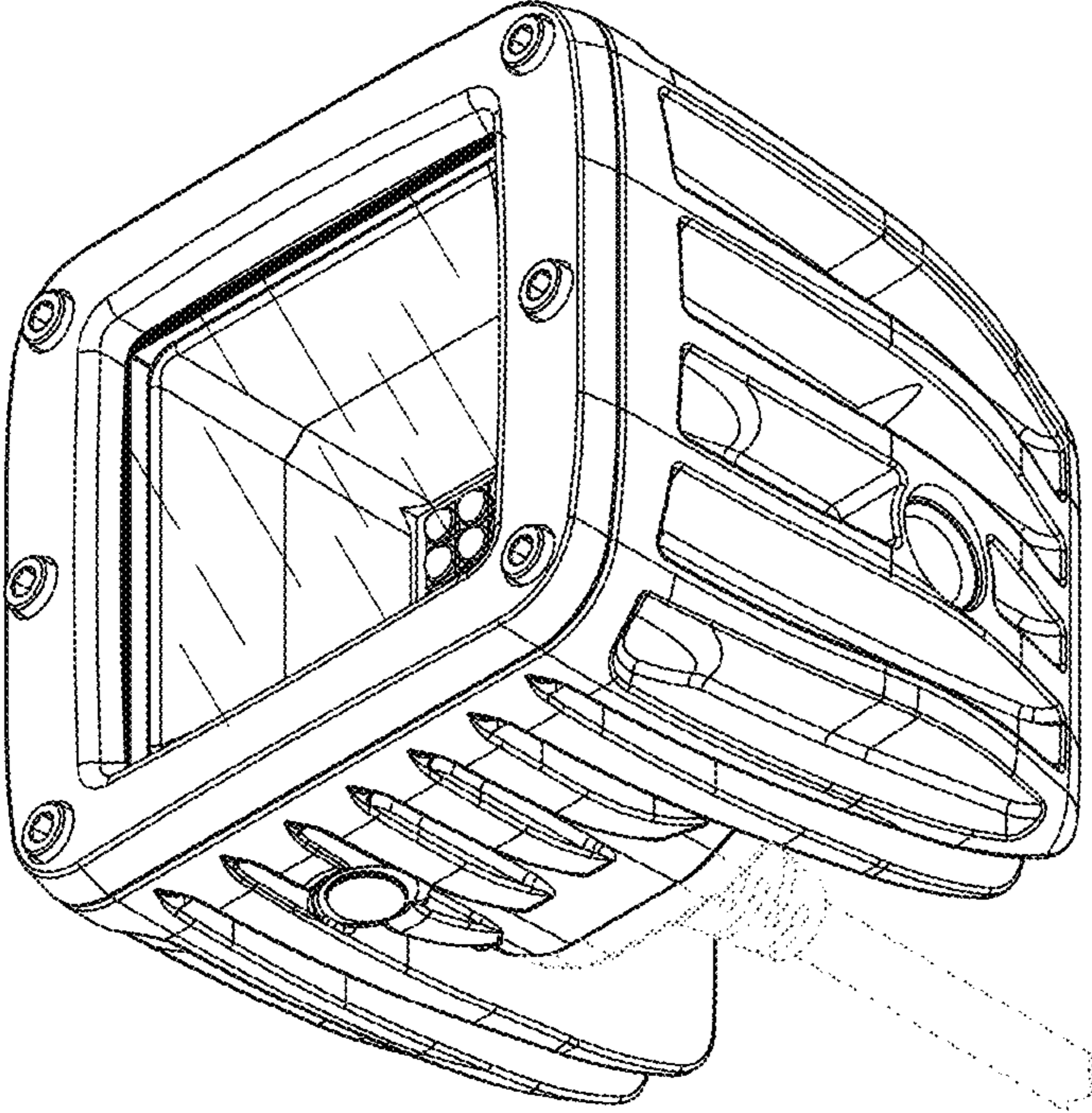


FIG. 3

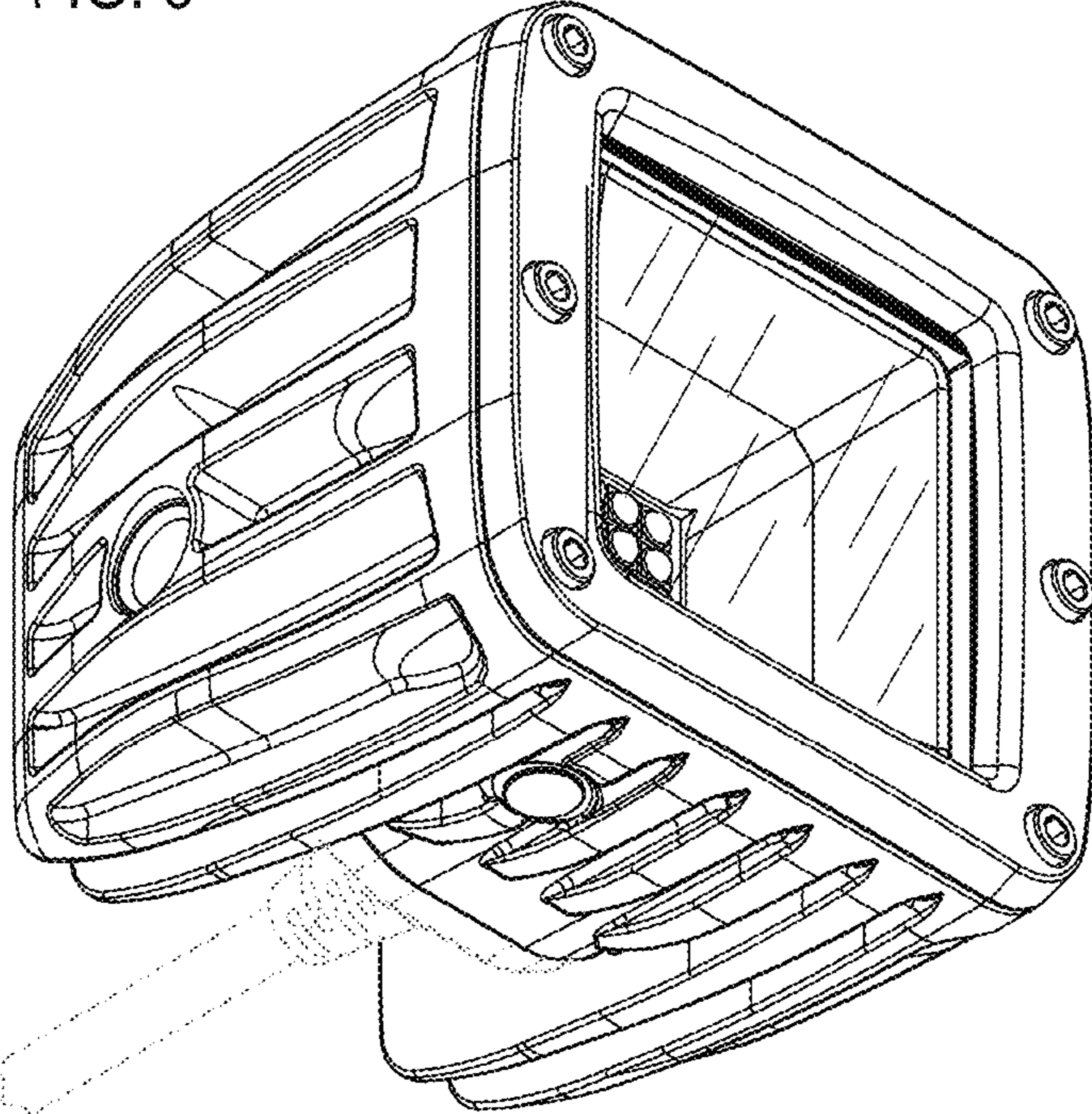


FIG. 4

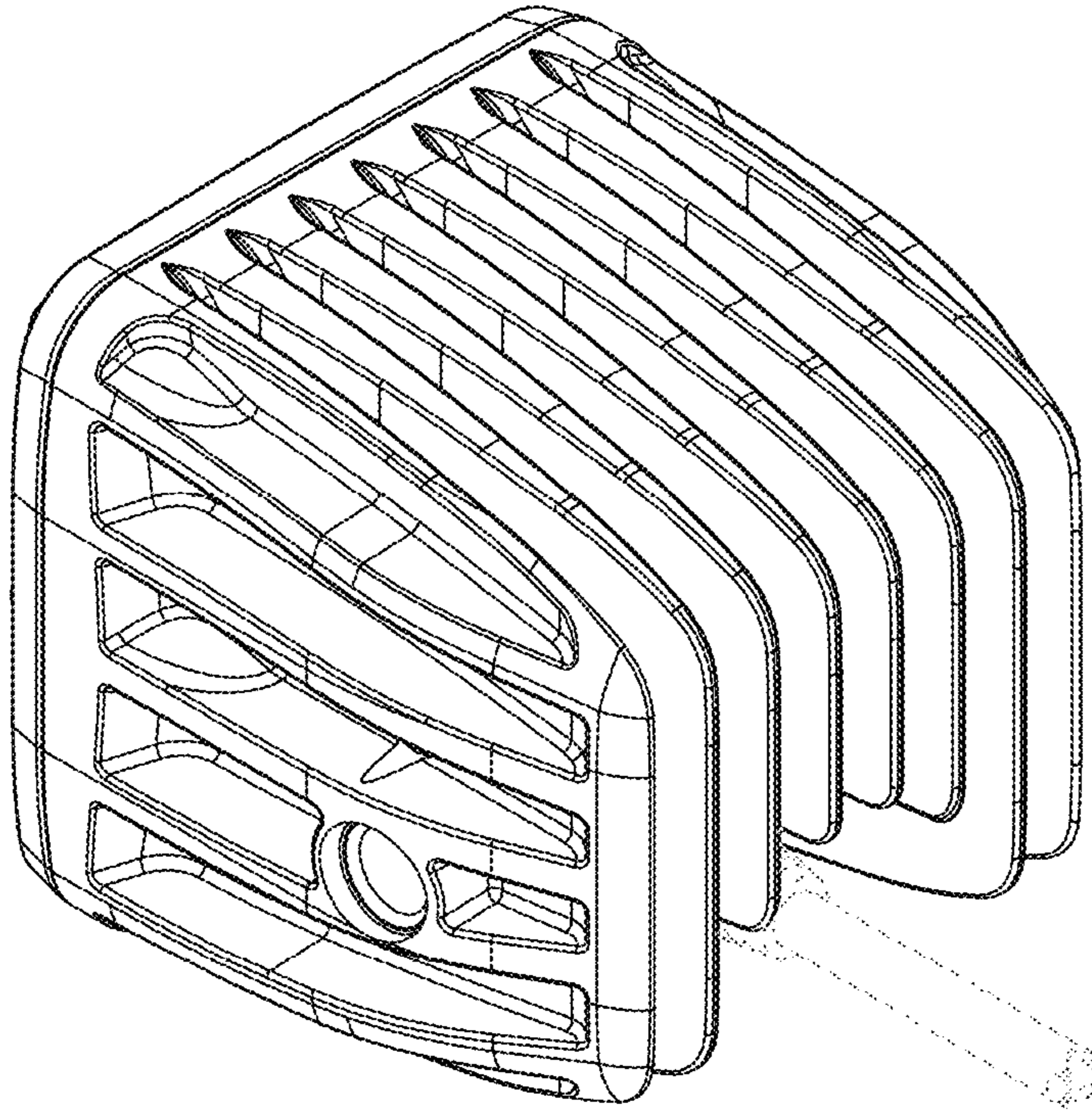


FIG. 5

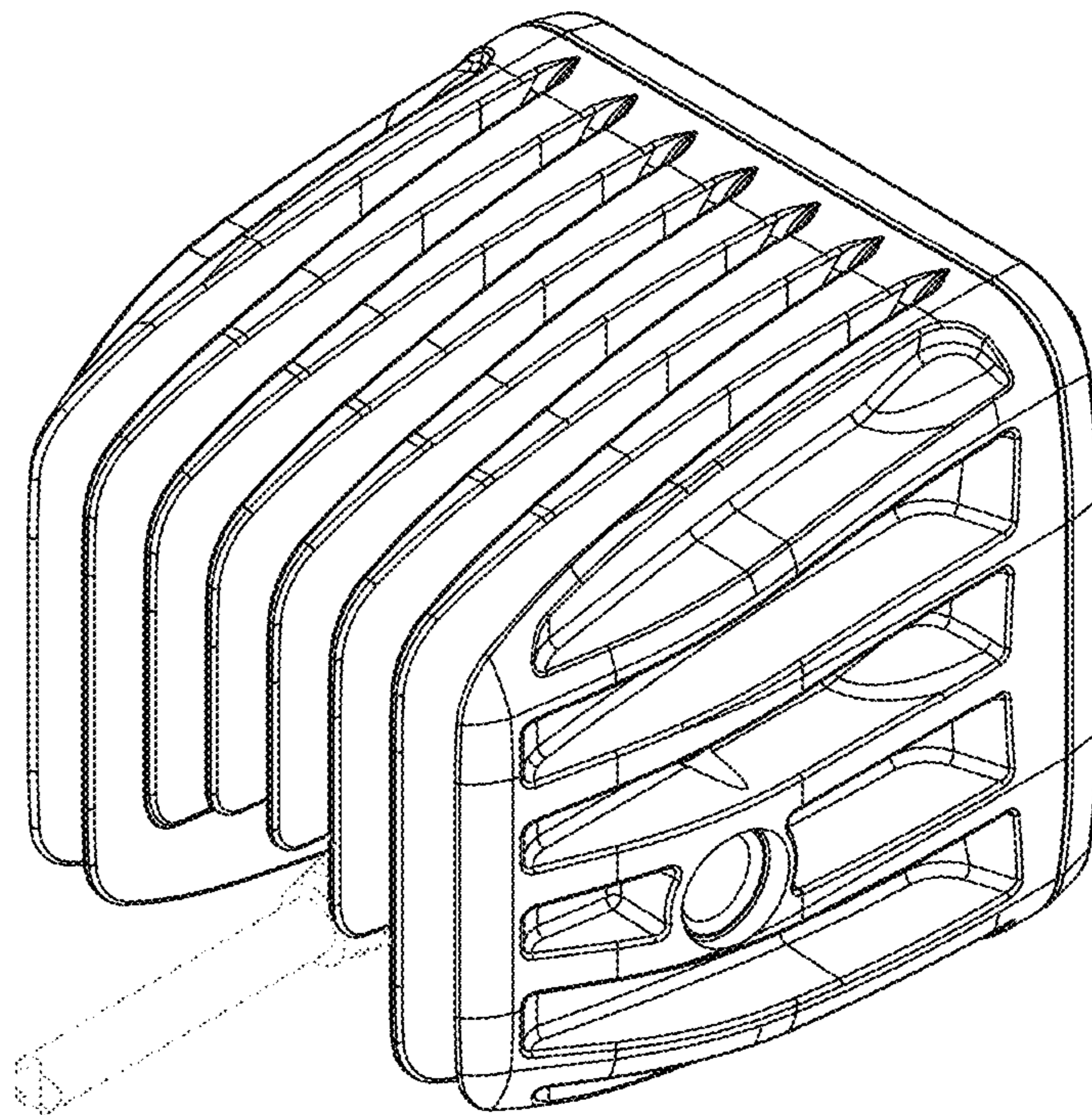


FIG. 6

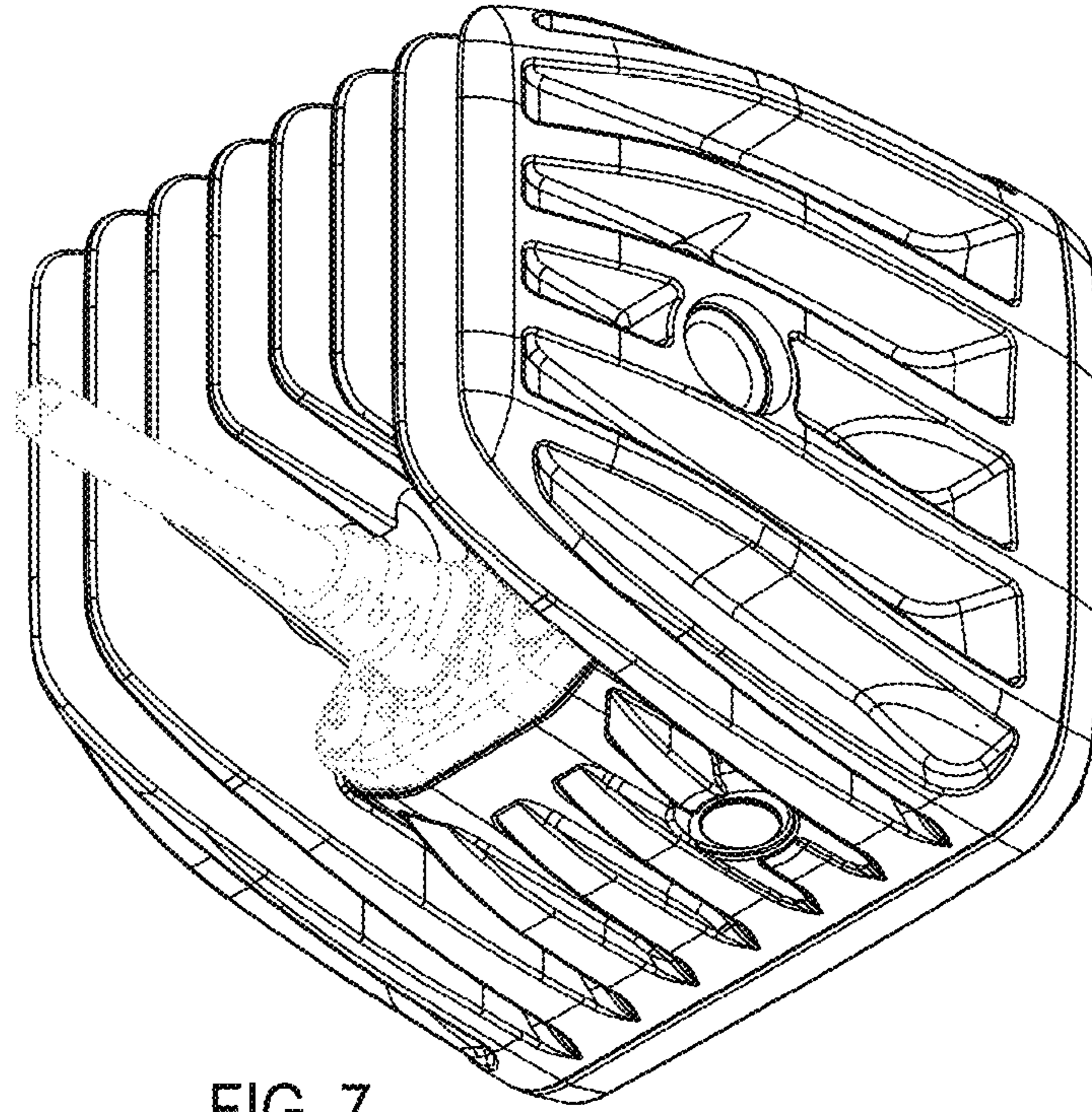


FIG. 7

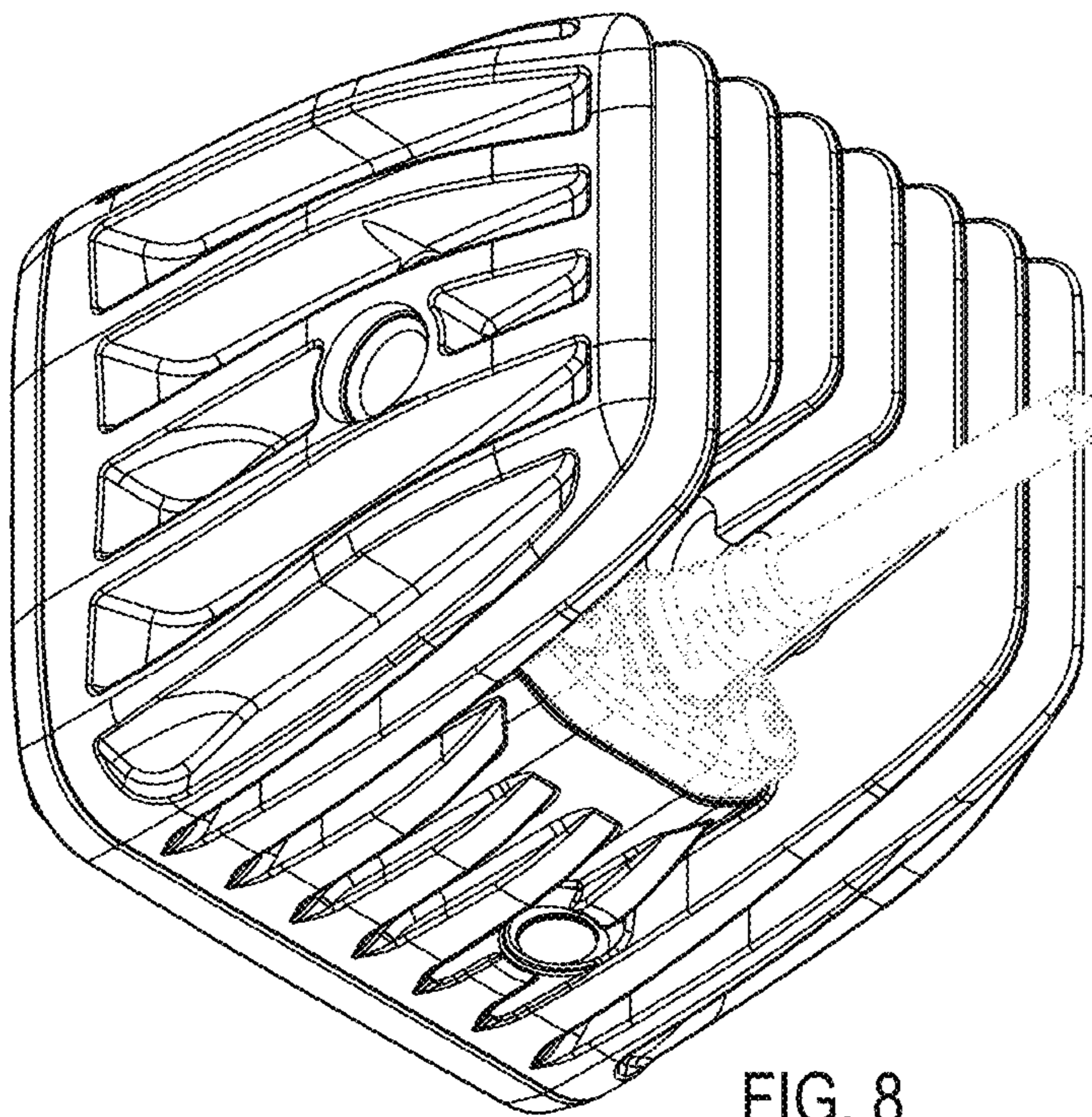


FIG. 8

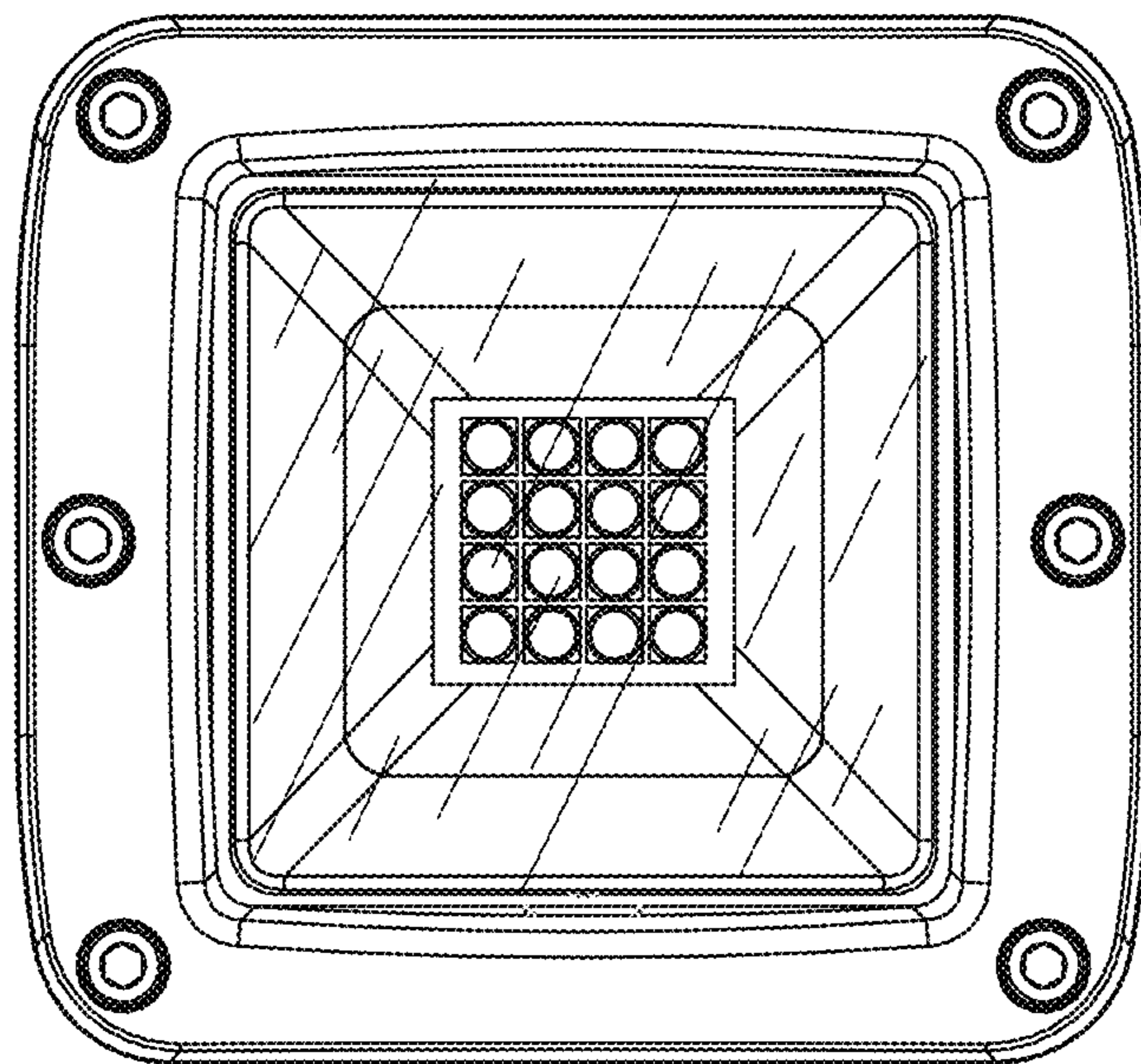


FIG. 9

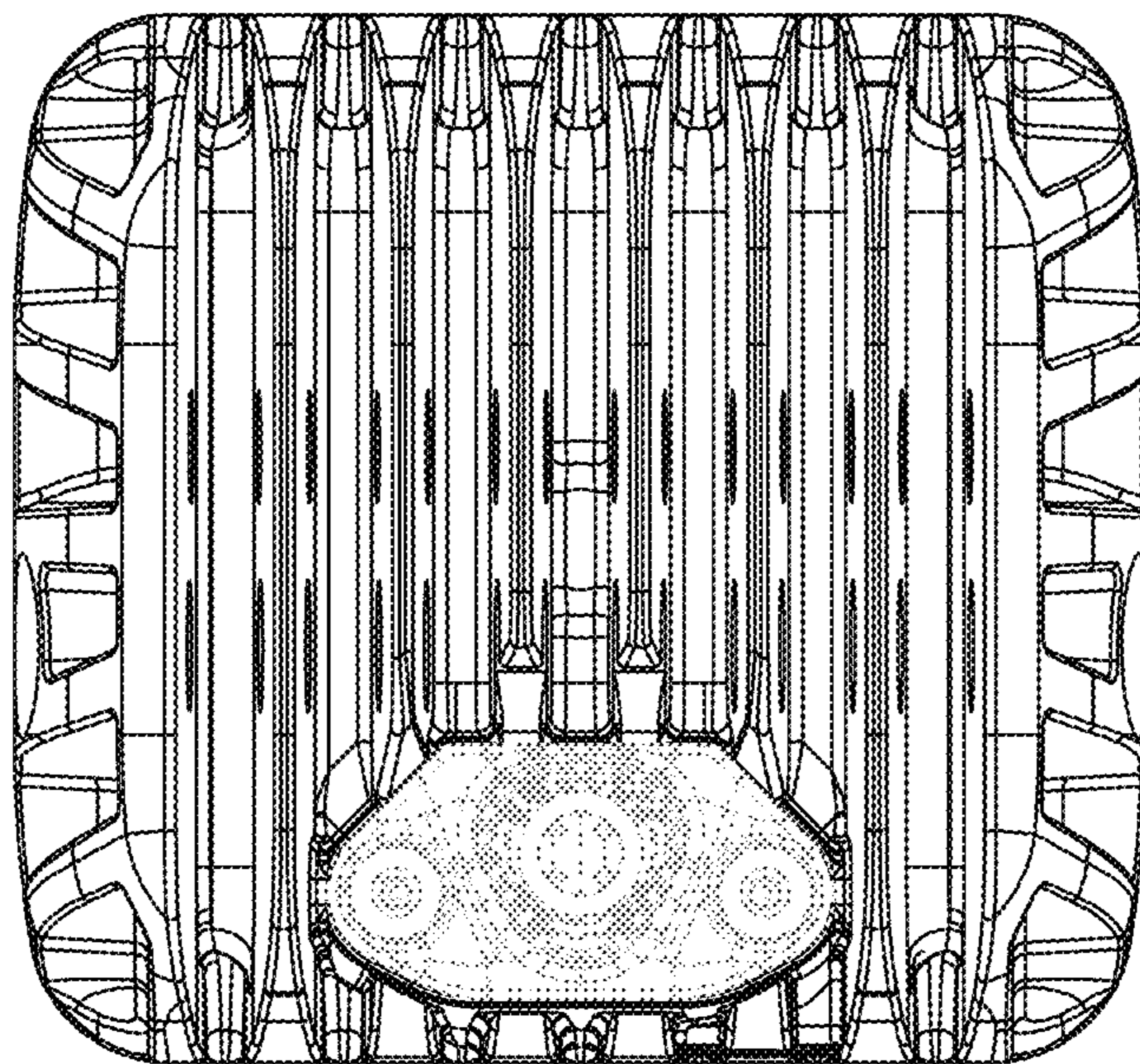


FIG. 10

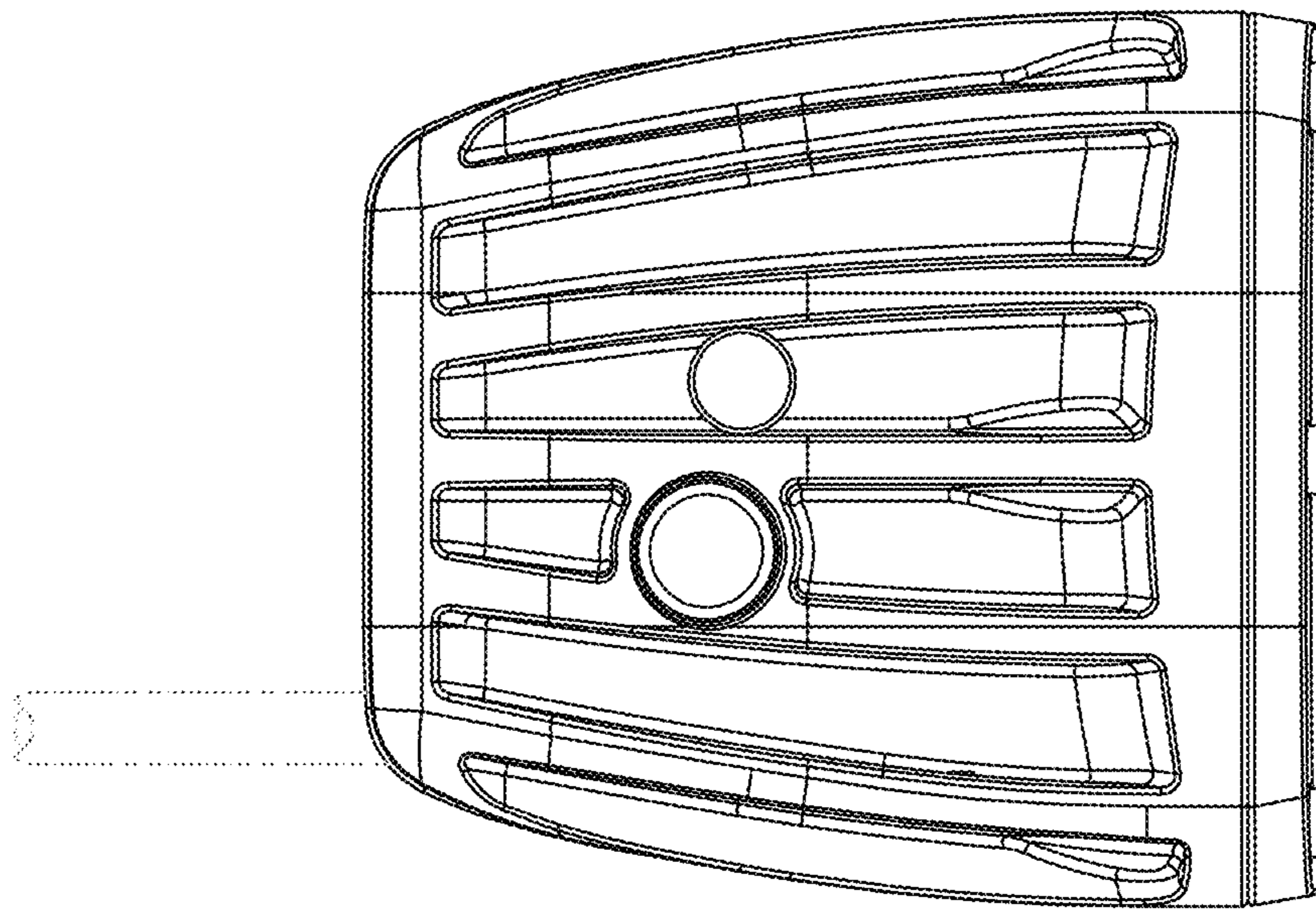


FIG. 11

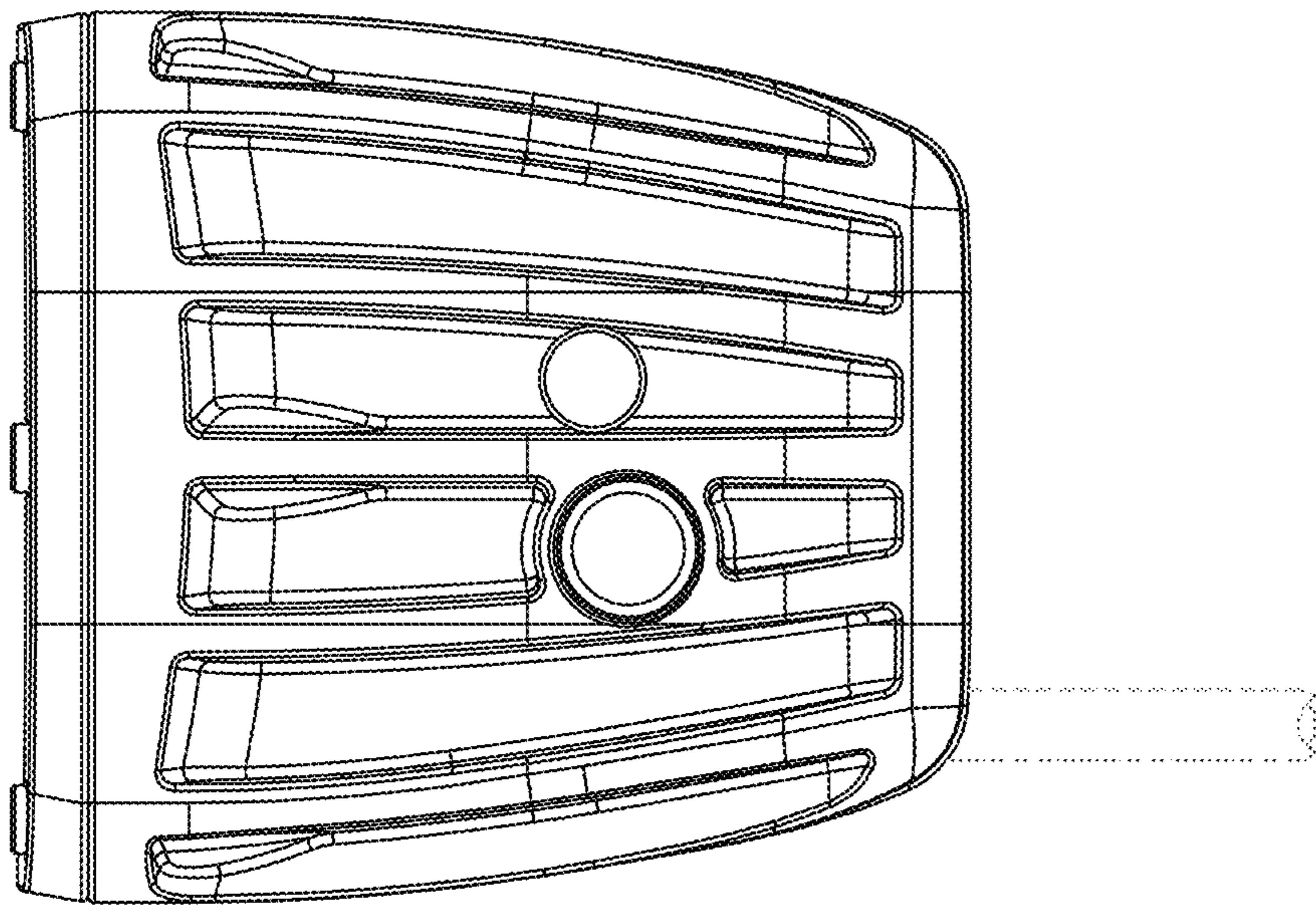


FIG. 12

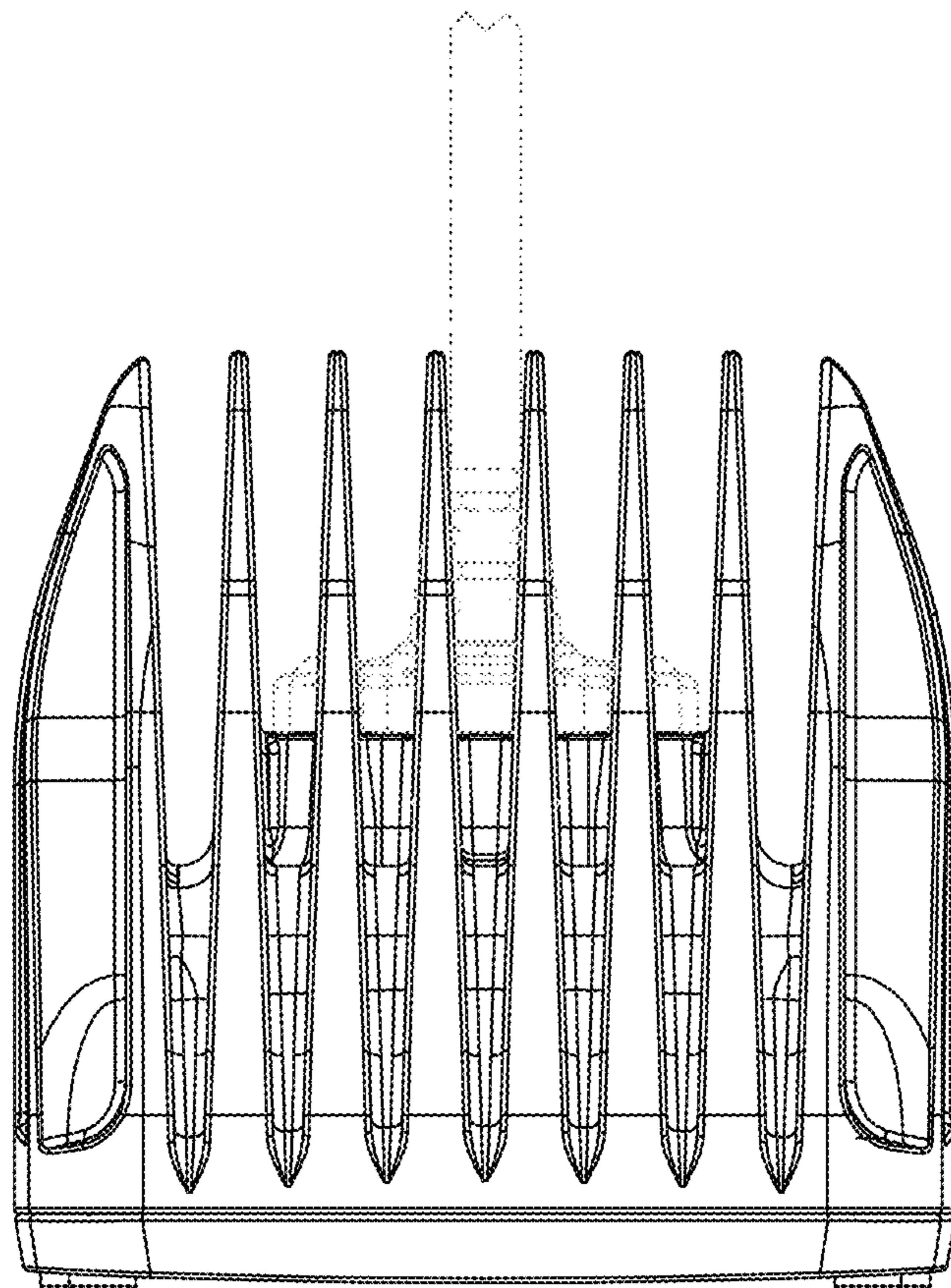


FIG. 13

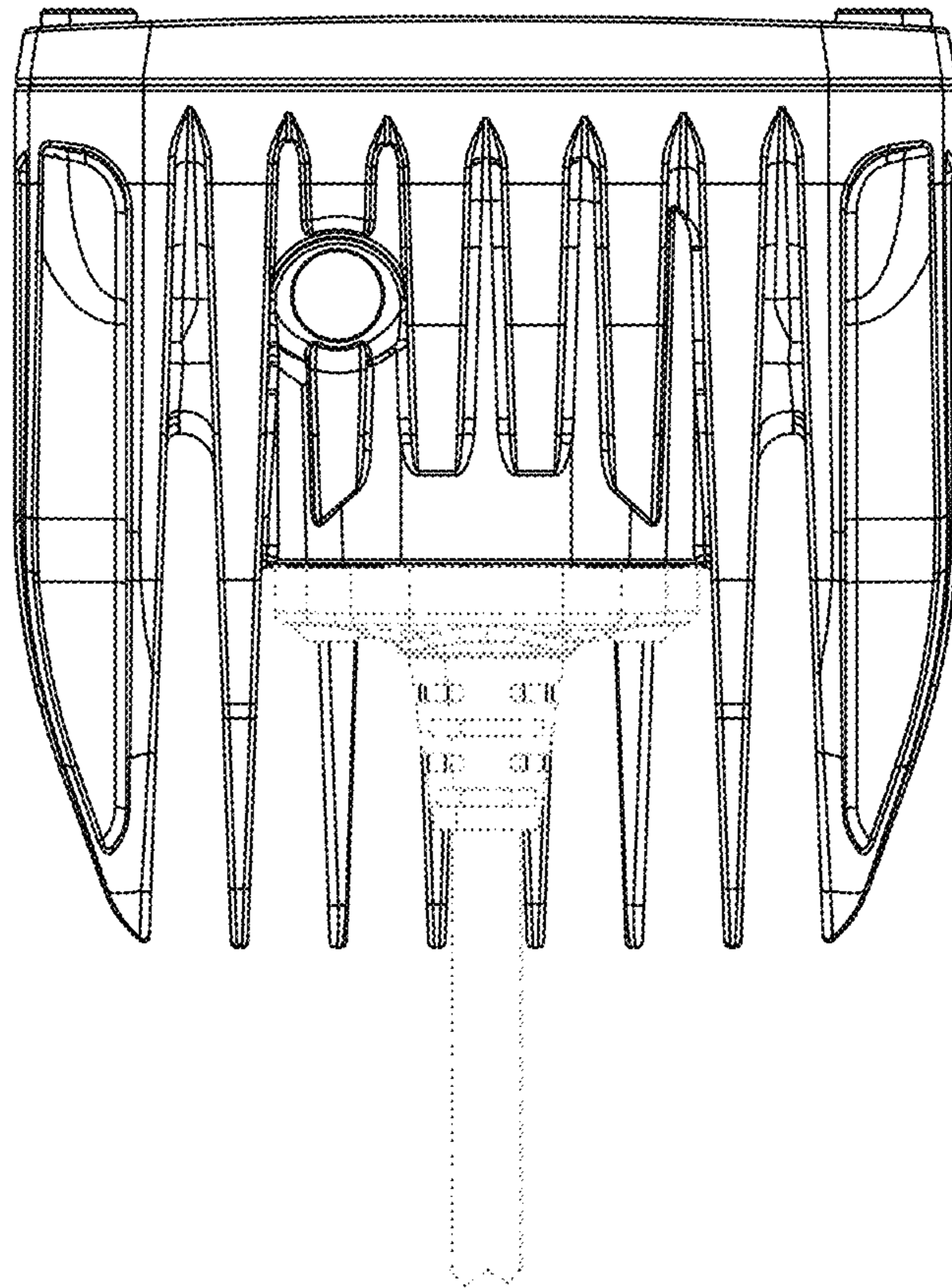


FIG. 14