



US00D775400S

(12) **United States Design Patent**
Laviani

(10) **Patent No.:** **US D775,400 S**

(45) **Date of Patent:** **** Dec. 27, 2016**

(54) **LAMP**

D614,343 S * 4/2010 Chiu D26/93
D672,675 S * 12/2012 Kim D26/118
D689,221 S * 9/2013 Isaac D26/24

(71) Applicant: **Kartell S.p.A.**, Milan (IT)

* cited by examiner

(72) Inventor: **Ferruccio Laviani**, Milan (IT)

Primary Examiner — Brian N Vinson

(73) Assignee: **Kartell S.p.A.**, Milan (IT)

(74) *Attorney, Agent, or Firm* — Thomas | Horstemeyer,
LLP

(**) Term: **14 Years**

(21) Appl. No.: **29/504,391**

(22) Filed: **Oct. 6, 2014**

(57) **CLAIM**

The ornamental design for a lamp, as shown and described.

(30) **Foreign Application Priority Data**

Apr. 7, 2014 (IT) MI2014O0063

(51) **LOC (10) Cl.** **26-03**

(52) **U.S. Cl.**
USPC **D26/110**

(58) **Field of Classification Search**
USPC D26/24, 93, 95, 104, 106, 110
CPC F21S 6/00; F21S 6/002; F21S 6/004;
F21S 6/008; F21S 8/08; F21V
21/00; F21V 21/02; F21W 2131/30
See application file for complete search history.

DESCRIPTION

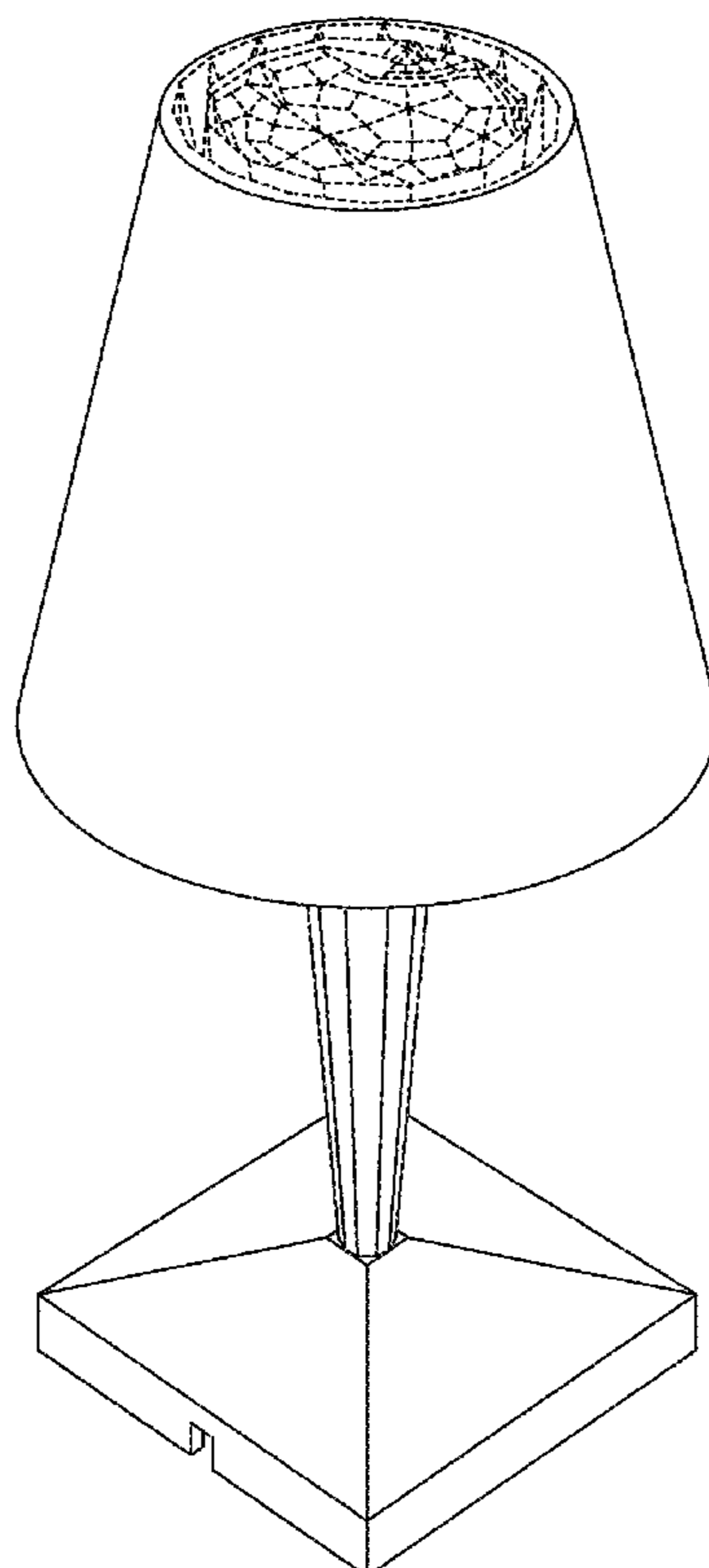
FIG. 1 is a perspective view of my new lamp;
FIG. 2 is a side elevational view of my new lamp of FIG. 1;
FIG. 3 is another side elevational view of my new lamp from
a side opposite that of FIG. 2;
FIG. 4 is a front elevational view of my new lamp of FIG.
1;
FIG. 5 is a rear elevational view of my new lamp, opposite
that of FIG. 4;
FIG. 6 is a top view of my new lamp of FIG. 1; and,
FIG. 7 is a bottom view of my new lamp of FIG. 1.
The broken line disclosure represents portions of the lamp
which form no part of the claimed design.

(56) **References Cited**

U.S. PATENT DOCUMENTS

D77,406 S * 1/1929 Greene D26/93
D368,547 S * 4/1996 Chen D26/106

1 Claim, 7 Drawing Sheets



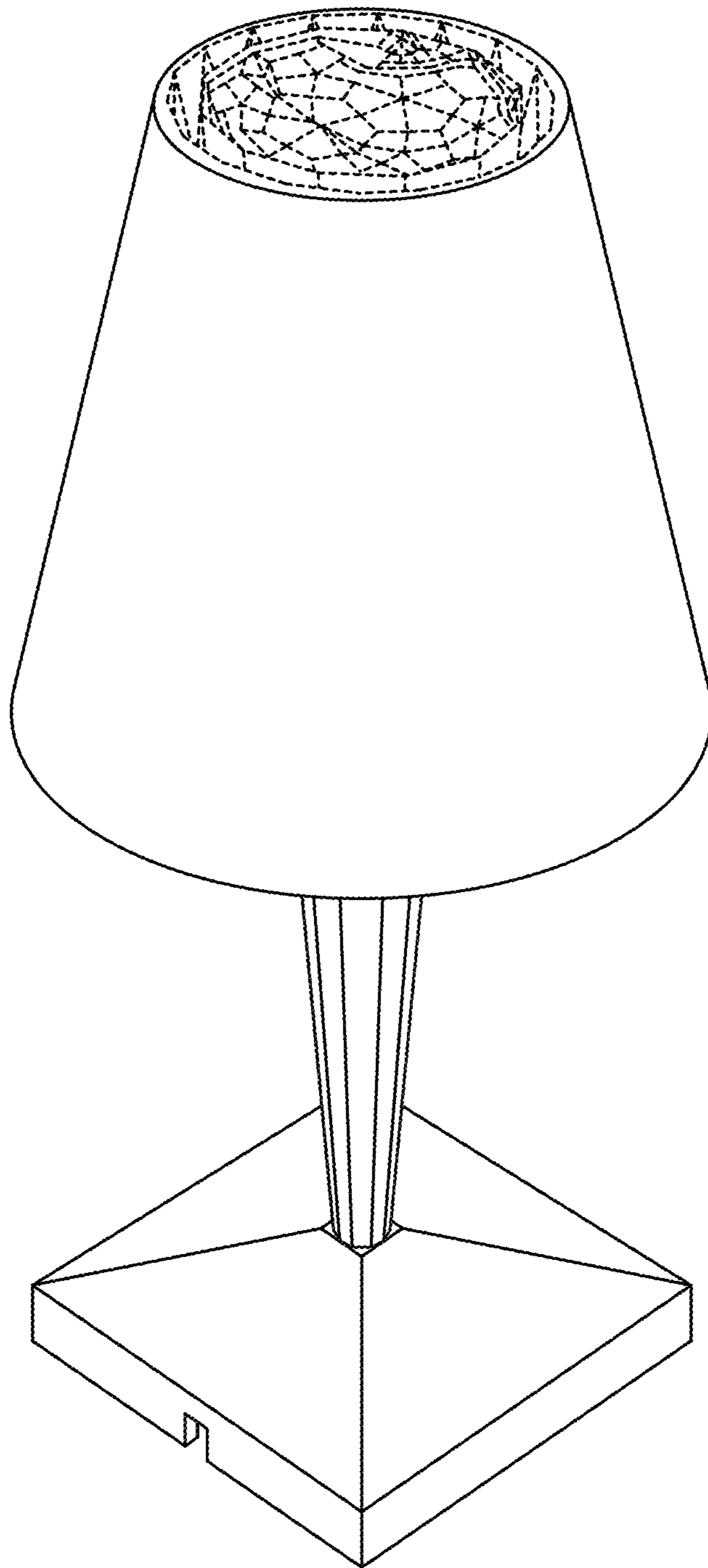


FIG. 1

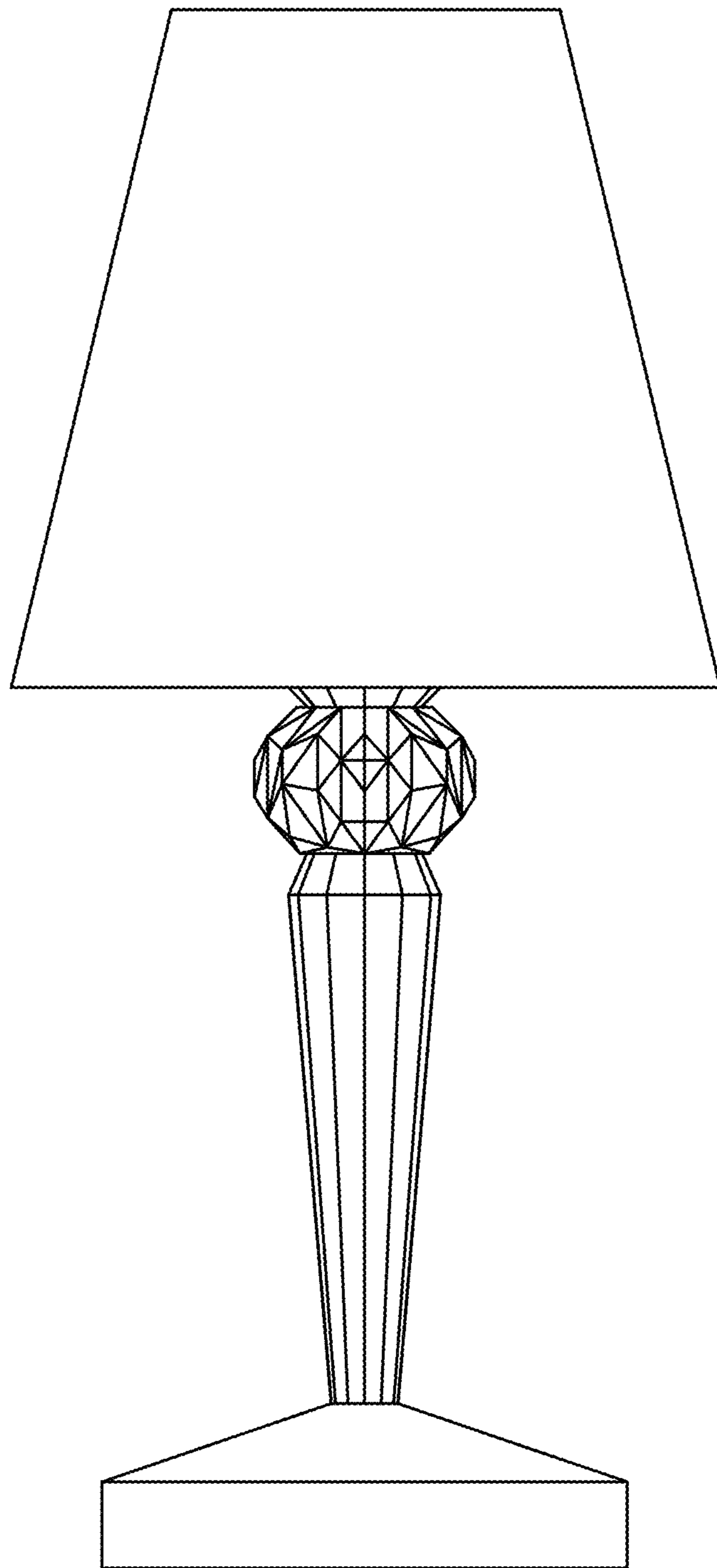


FIG. 2

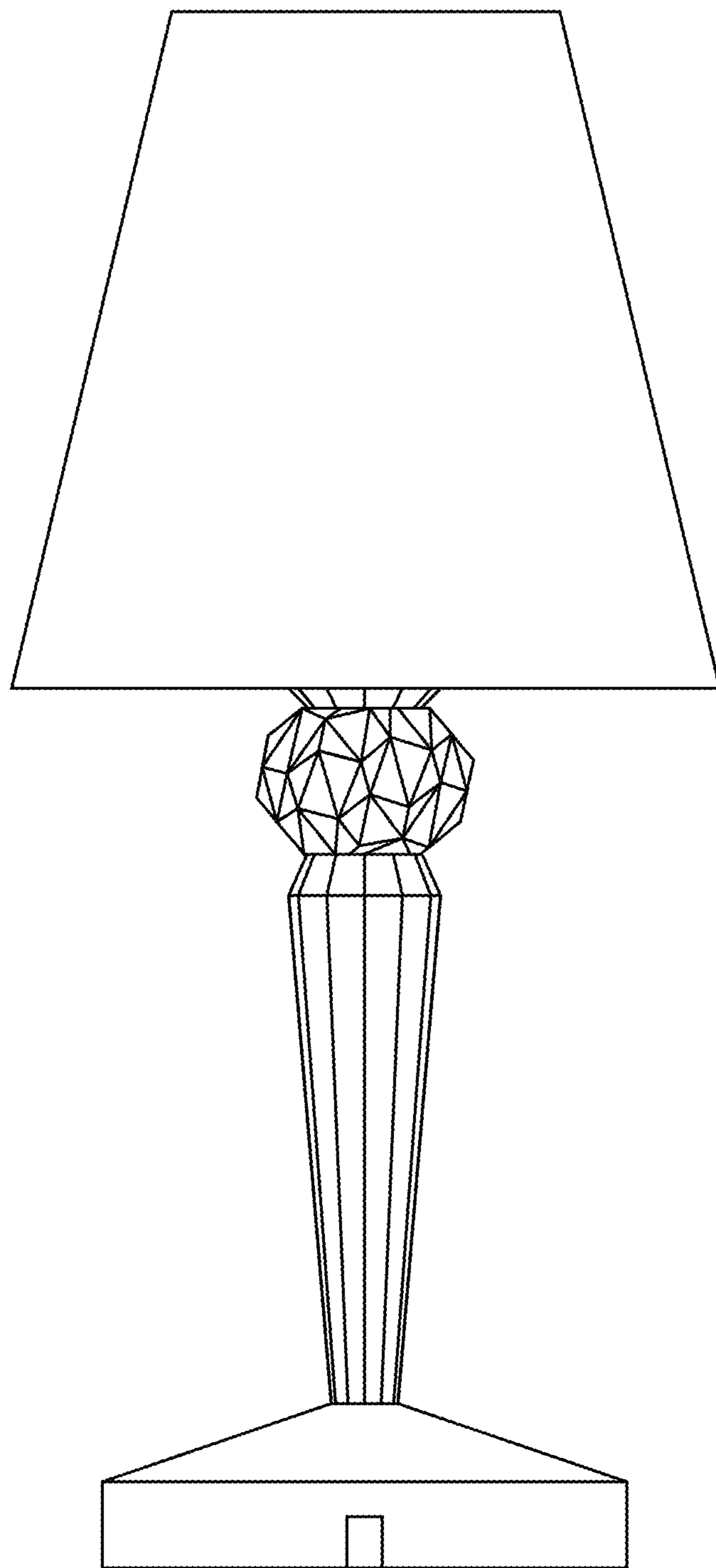


FIG. 3

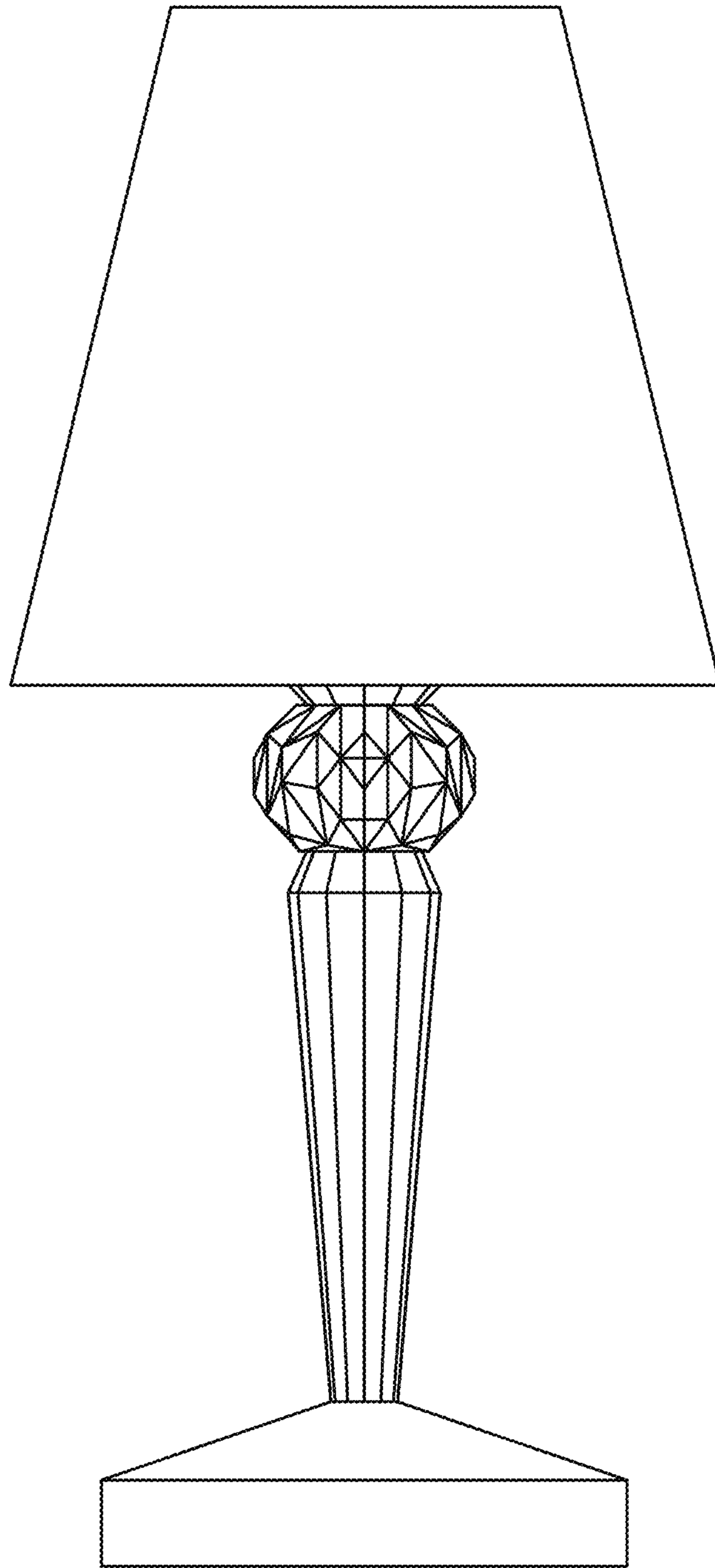


FIG. 4

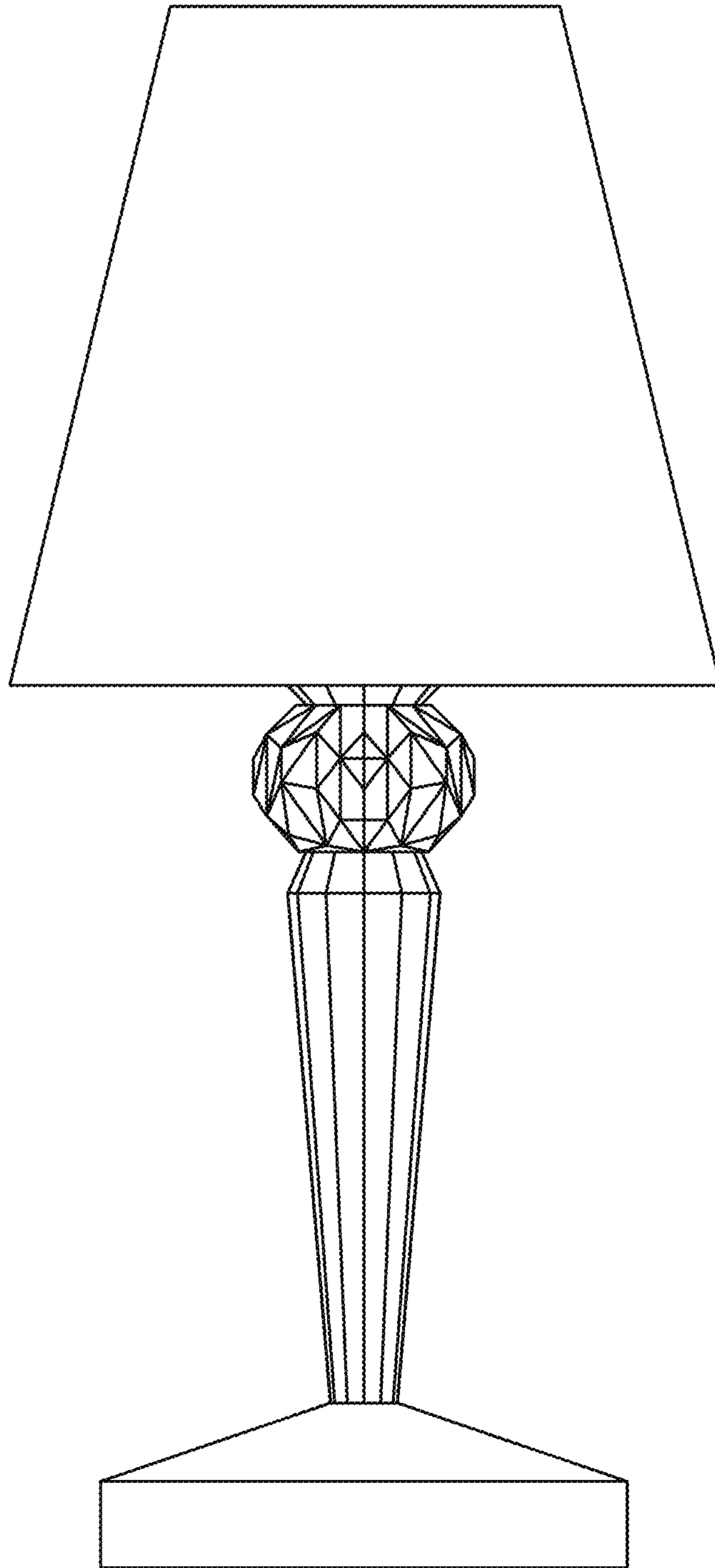


FIG. 5

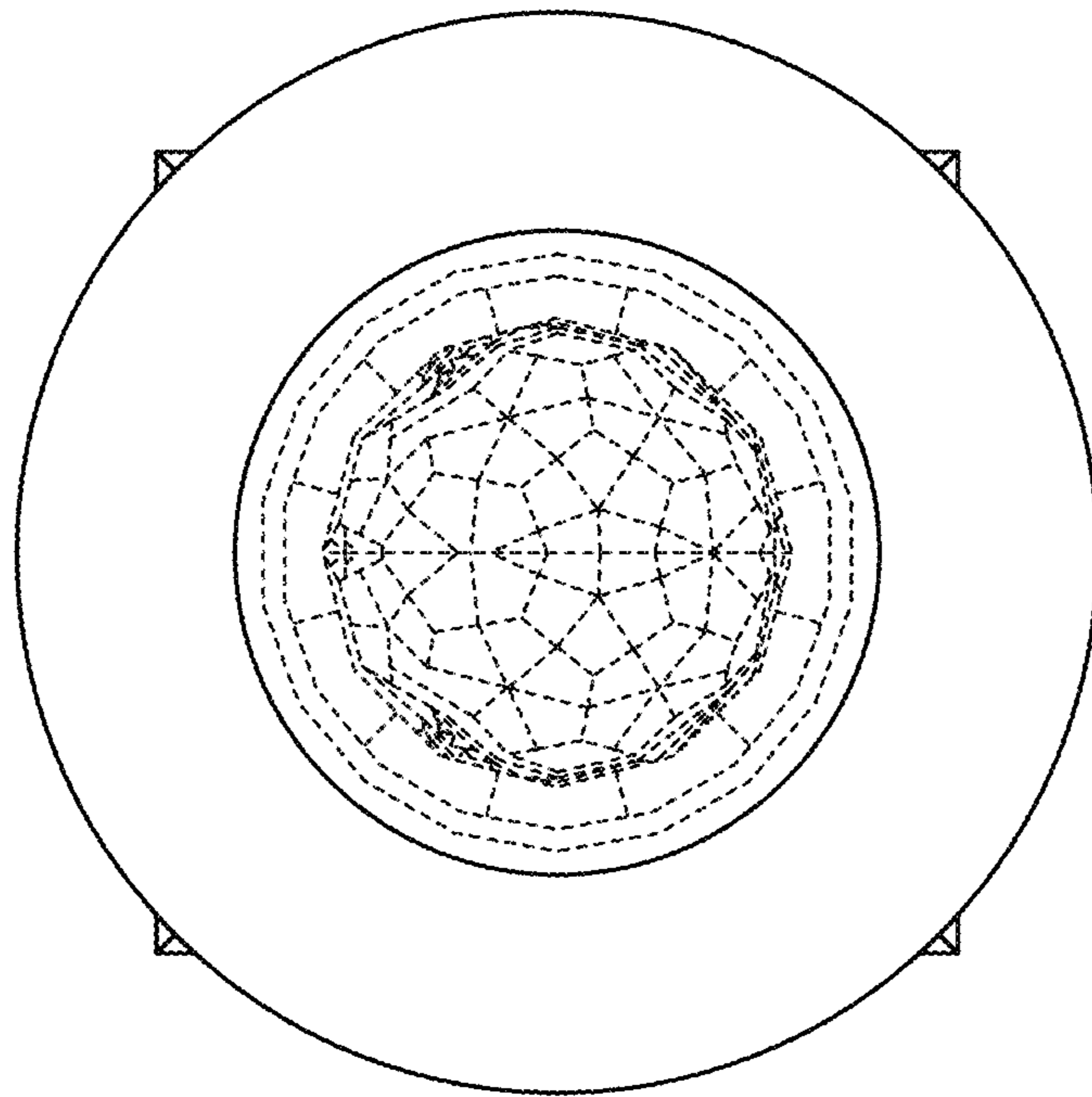


FIG. 6

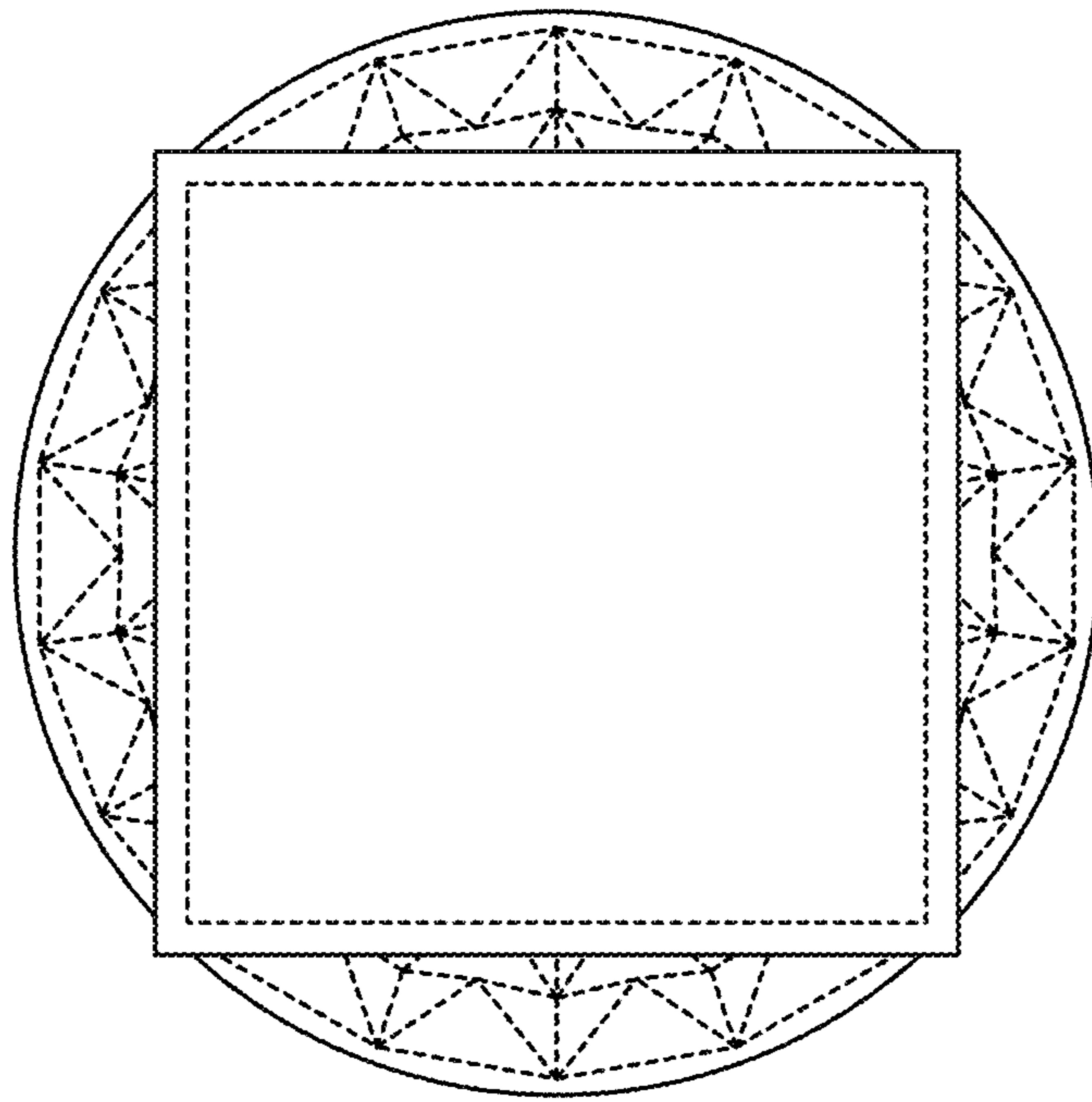


FIG. 7