



US00D775399S

(12) **United States Design Patent** (10) **Patent No.:** **US D775,399 S**
Fioravanti (45) **Date of Patent:** **** Dec. 27, 2016**

(54) **LAMP**

(71) Applicant: **FONTANAARTE S.p.A.**, Corsico, Milan (IT)

(72) Inventor: **Odoardo Fioravanti**, Milan (IT)

(73) Assignee: **FONTANAARTE S.p.A.** (IT)

(**) Term: **15 Years**

(21) Appl. No.: **29/542,335**

(22) Filed: **Oct. 13, 2015**

(30) **Foreign Application Priority Data**

Apr. 10, 2015 (IT) MI2015O0060

(51) **LOC (10) Cl.** **26-03**

(52) **U.S. Cl.**
USPC **D26/107**

(58) **Field of Classification Search**
USPC D26/1, 24, 93, 104, 106, 107, 109, 110,
D26/62

CPC F21S 6/00; F21S 6/043; F21S 8/08;
F21V 21/00; F21V 21/02; F21W 2121/00;
F21W 2131/30

See application file for complete search history.

(56) **References Cited**

U.S. PATENT DOCUMENTS

D628,729 S * 12/2010 Citterio D26/65
D650,937 S * 12/2011 Horsley D26/65
D663,062 S * 7/2012 Ng D26/65
D690,858 S * 10/2013 Citterio D26/63

* cited by examiner

Primary Examiner — Brian N Vinson

(74) *Attorney, Agent, or Firm* — Saidman DesignLaw Group, LLC

(57) **CLAIM**

The ornamental design for a lamp, as shown and described.

DESCRIPTION

FIG. 1 is a perspective view of a lamp showing my new design, the following figures showing various positions thereof;

FIG. 2 is another perspective view thereof;

FIG. 3 is a front view thereof;

FIG. 4 is a rear view thereof;

FIG. 5 is a left side view thereof;

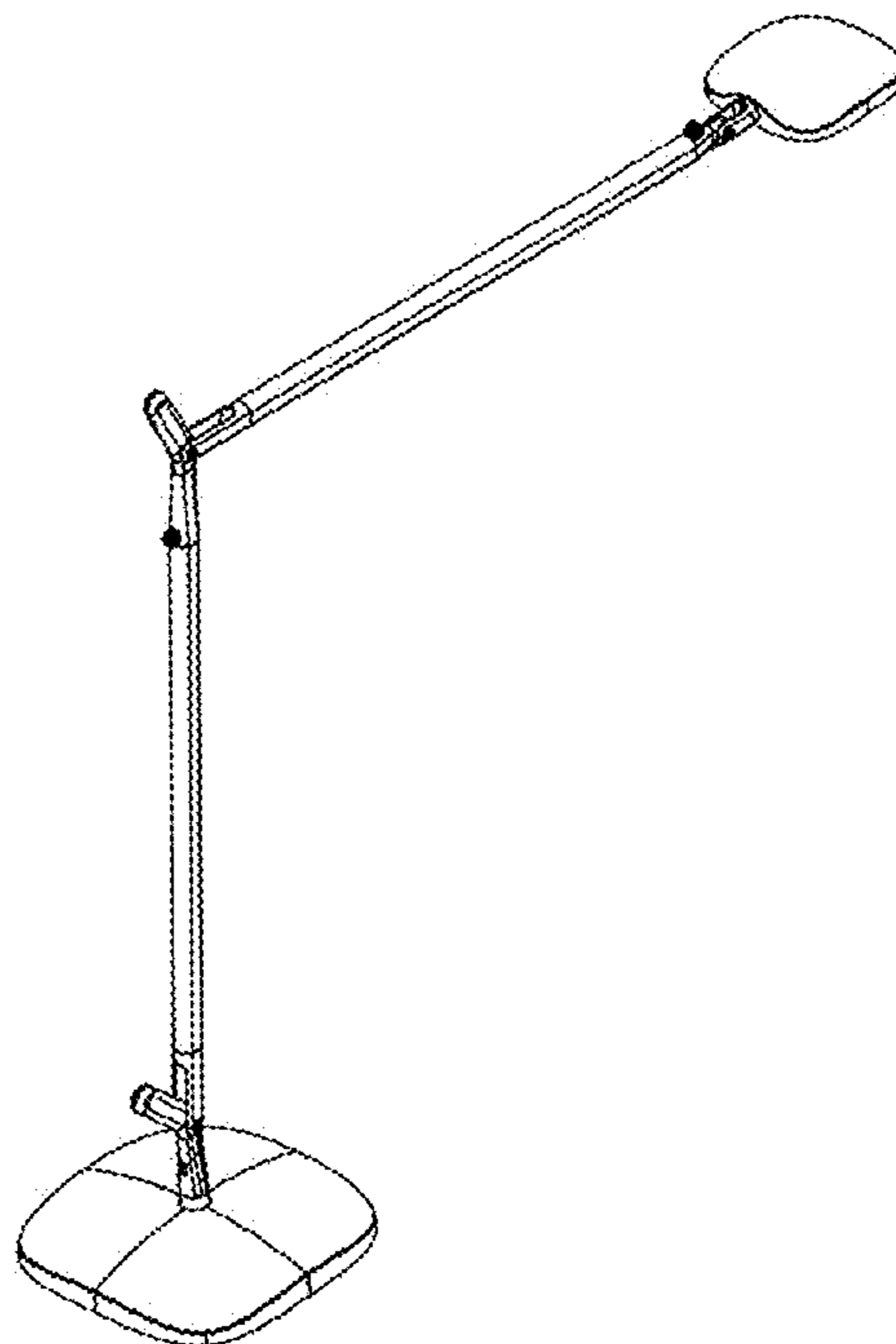
FIG. 6 is a right side view thereof; and,

FIG. 7 is a top view thereof.

The bottom view has been omitted and forms no part of the claimed design.

The drawings include CAD lines that represent contour and not surface decoration.

1 Claim, 7 Drawing Sheets



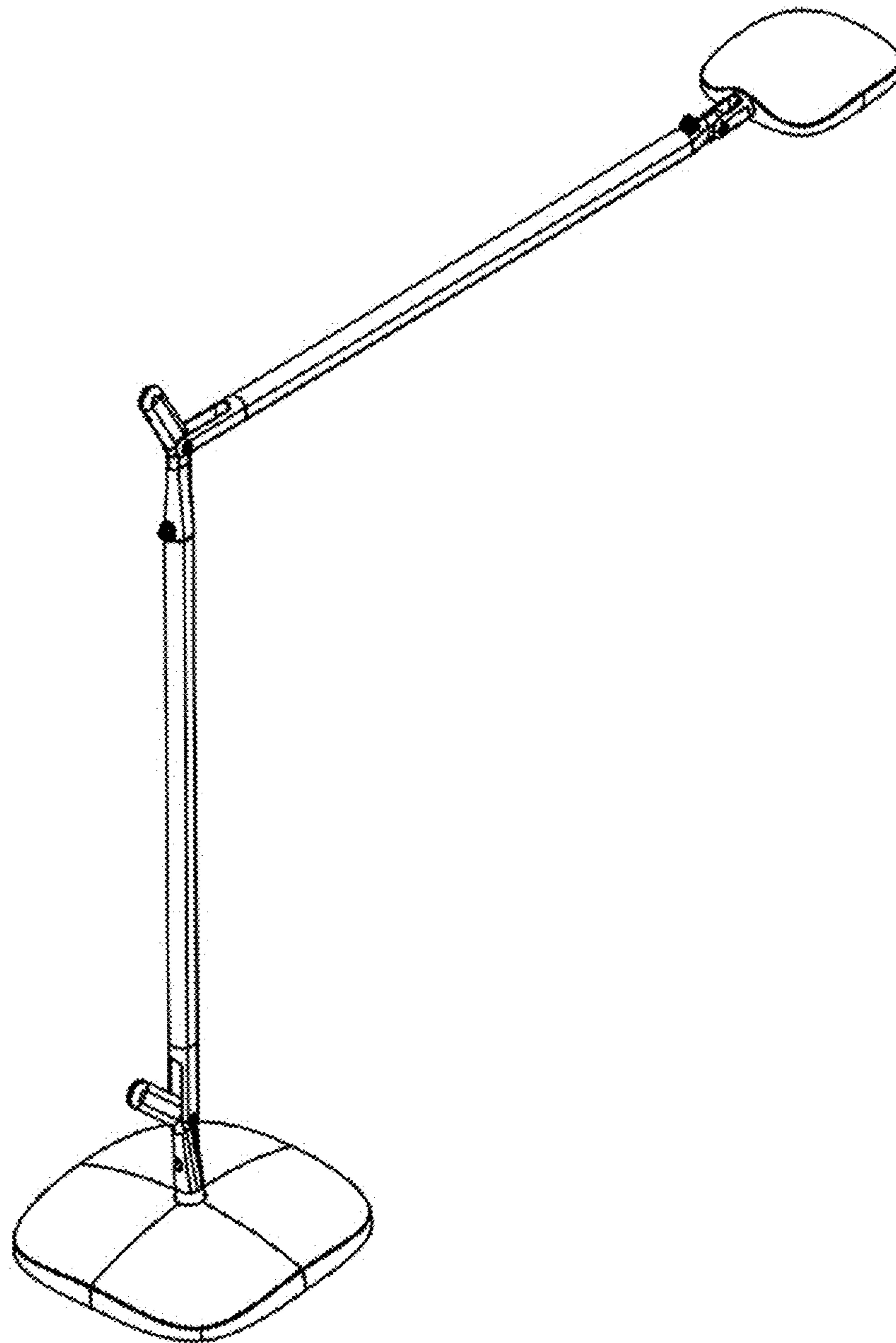


FIG. 1

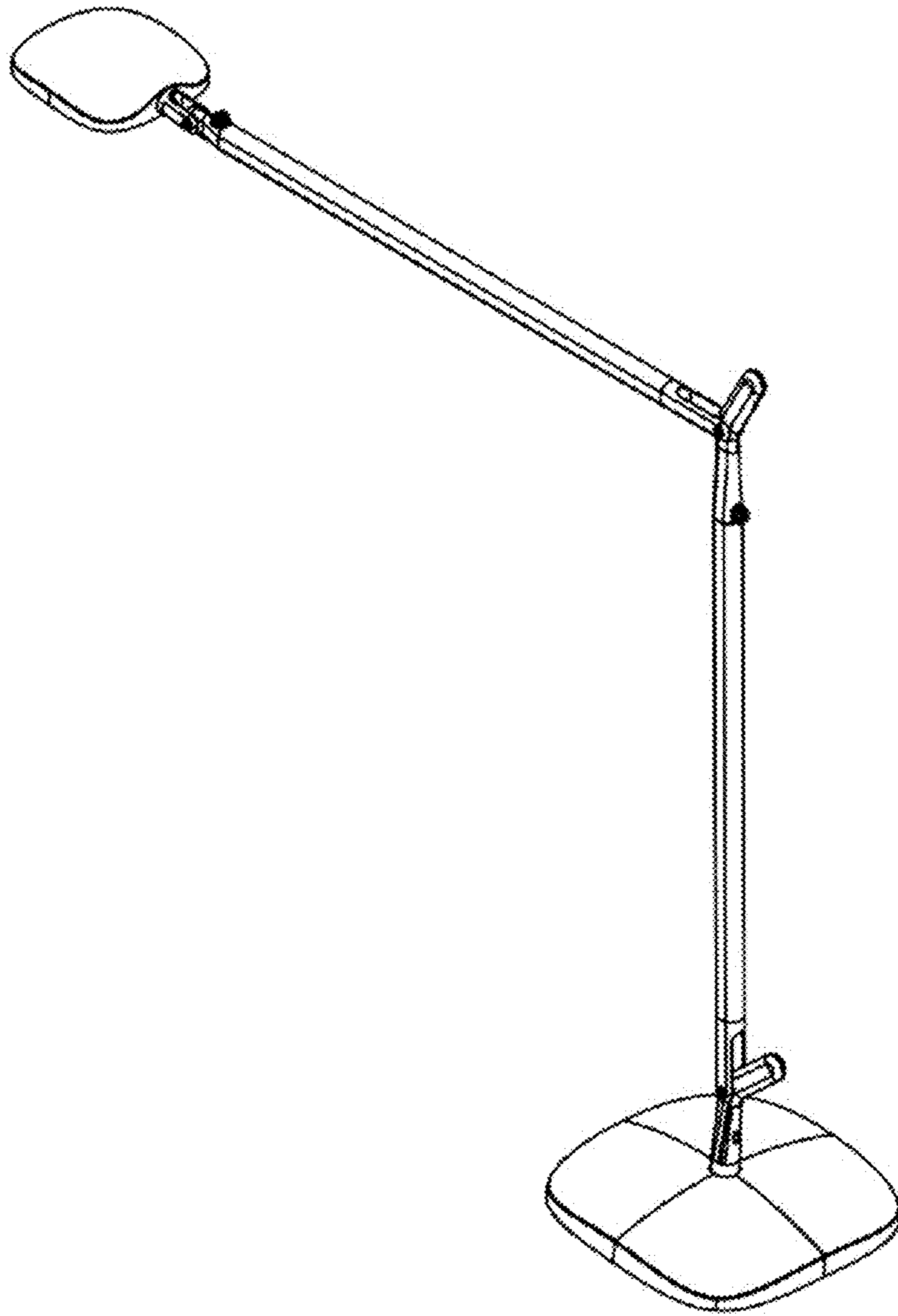


FIG. 2

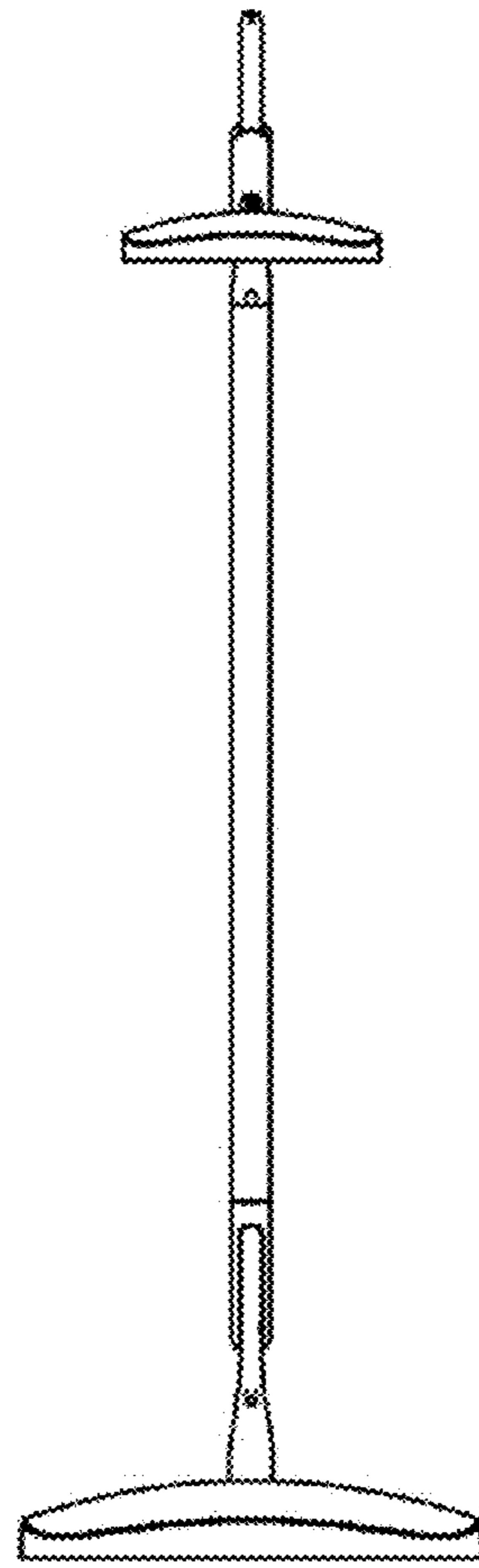


FIG. 3

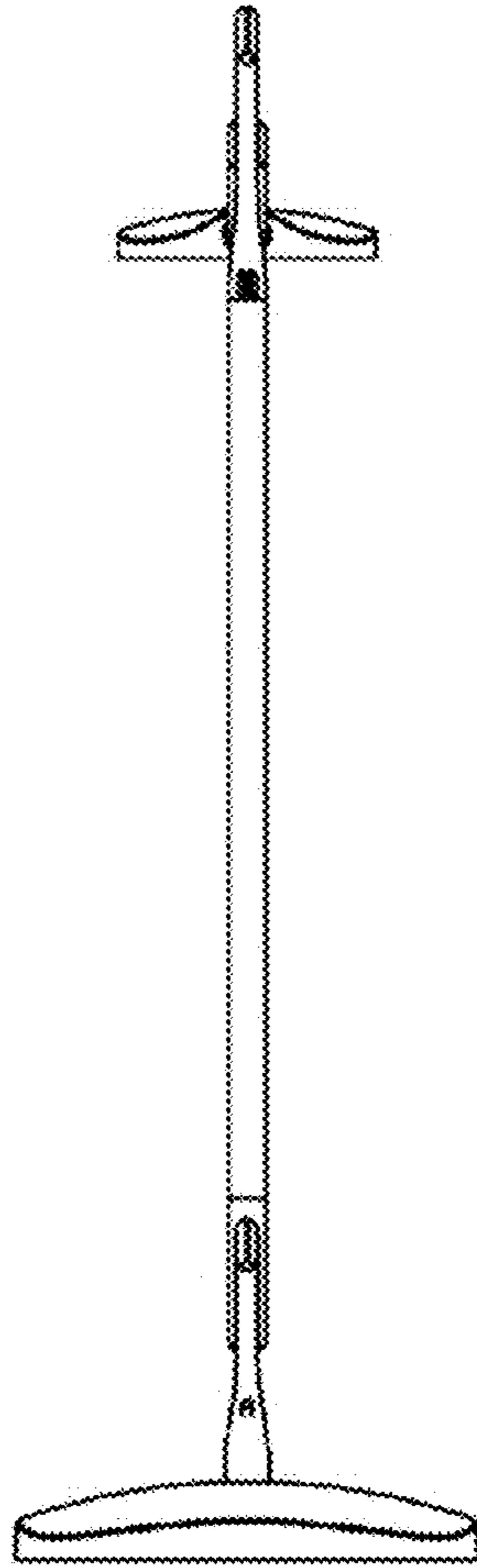


FIG. 4

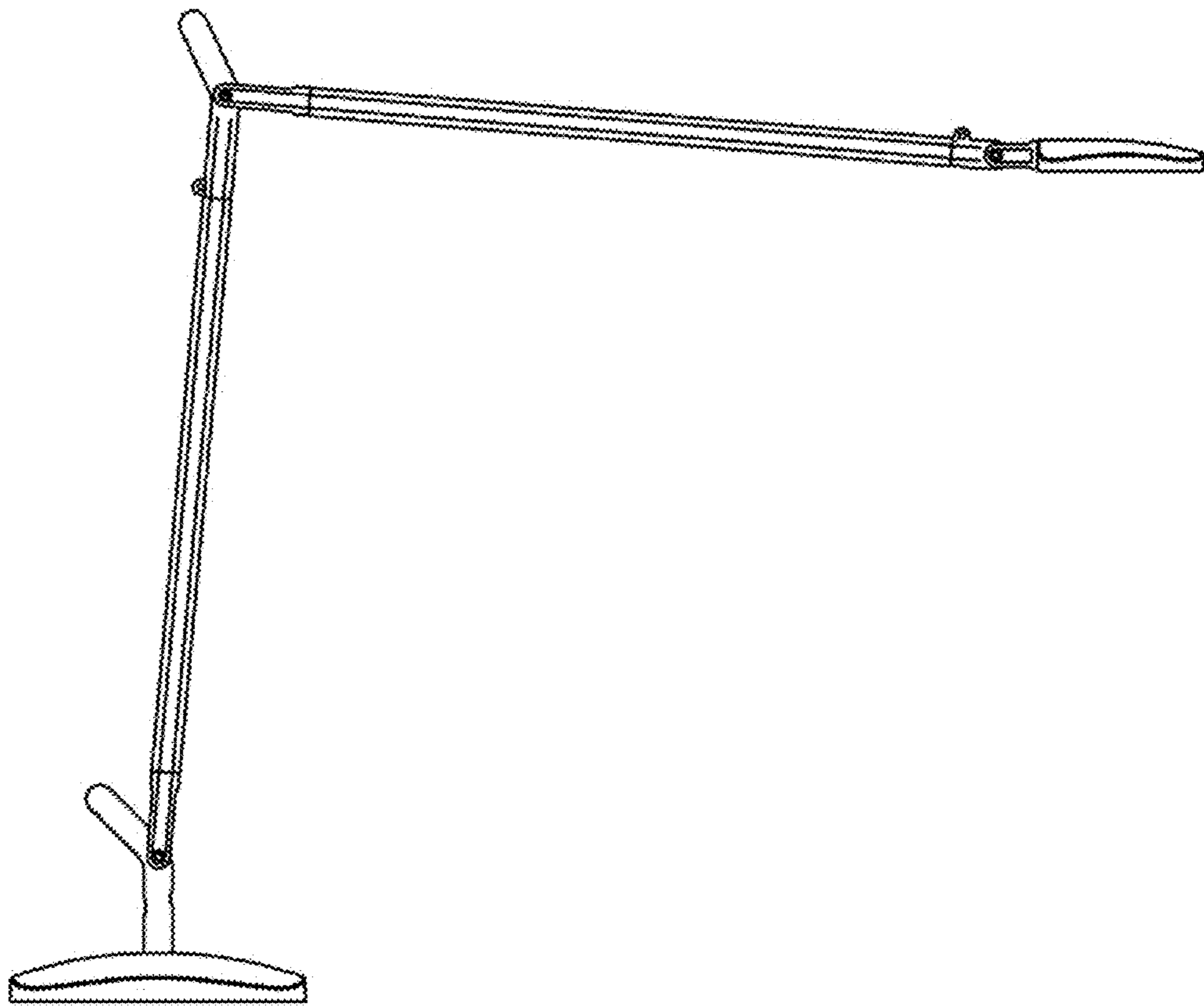


FIG. 5

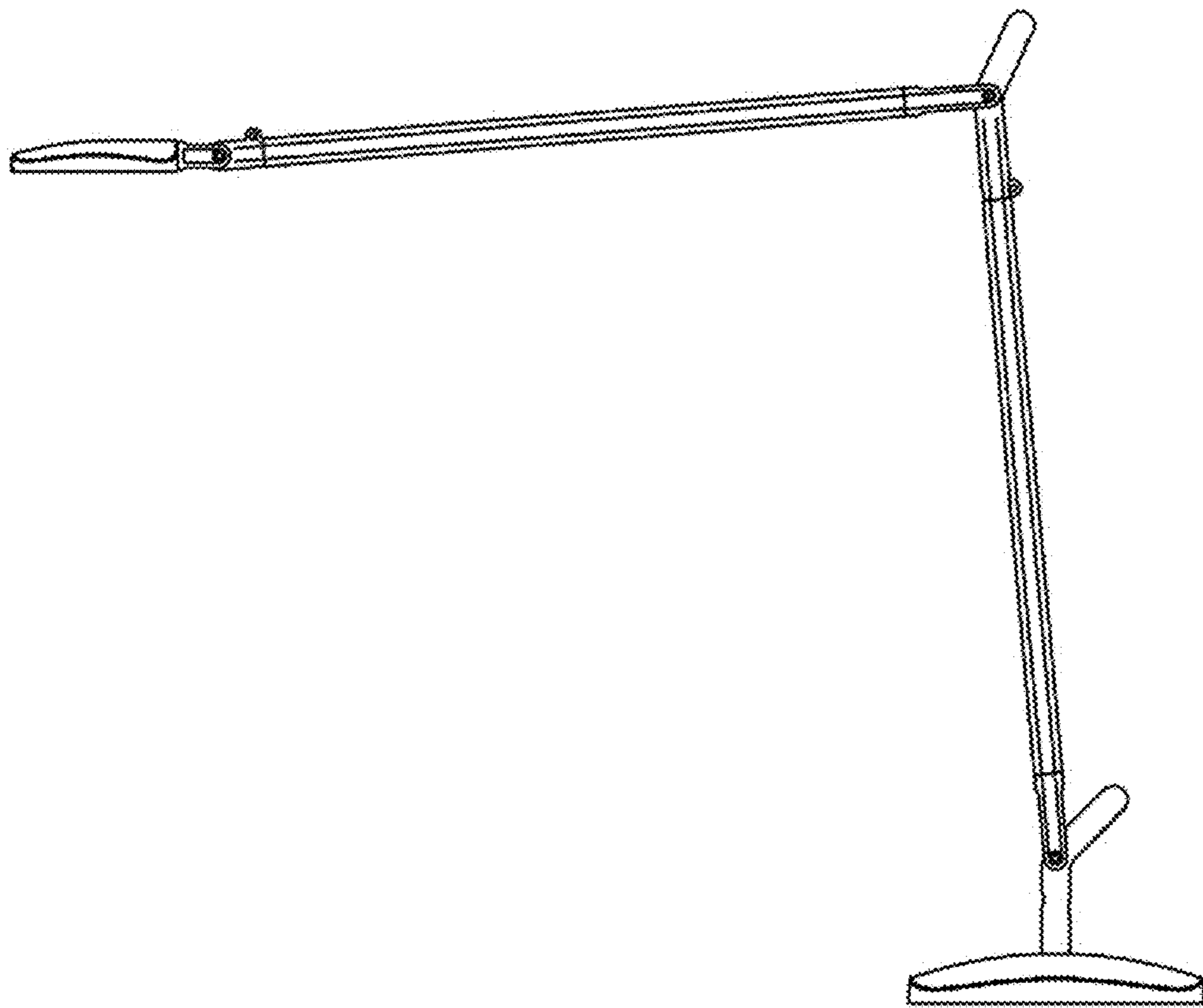


FIG. 6

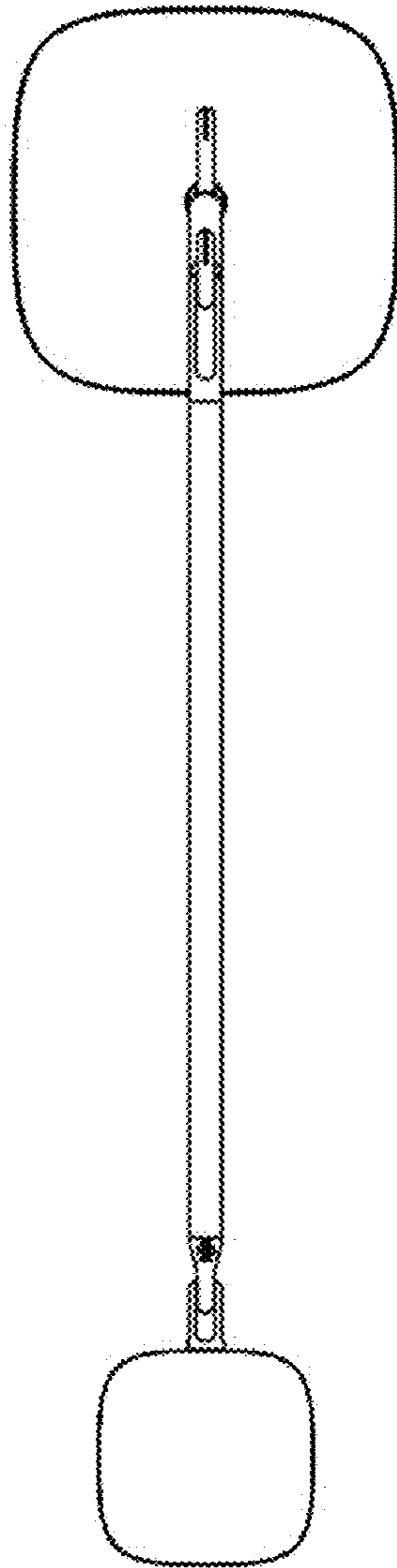


FIG. 7